

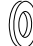

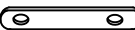


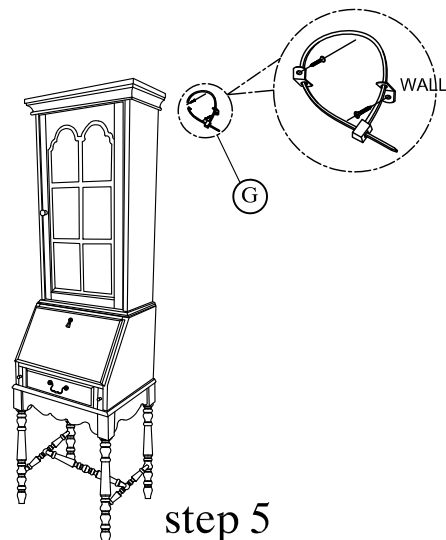


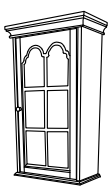
# Assembly Instructions

## PACKAGED

- (A) 8-Bolt 
- (B) 8-Lock Washer 
- (C) 8-Flat Washer 
- (D) 6-Wood Screws 
- (E) 1- Connection Plate 
- (F) 4-Wood Screws 
- (G) 1set- Anti-tipping kit. 



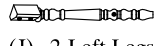
step 5



(H) 1-Secretary Top



(I) 1-Secretary Base



(J) 2-Left Legs



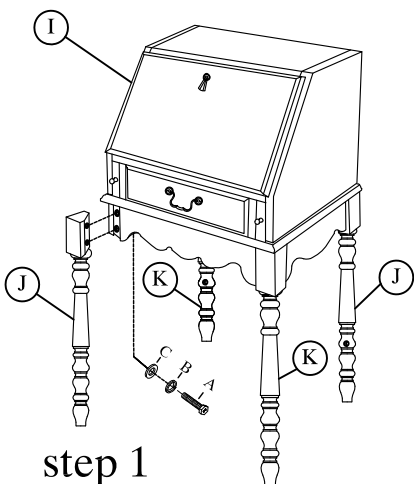
(L) 2-Side Structure



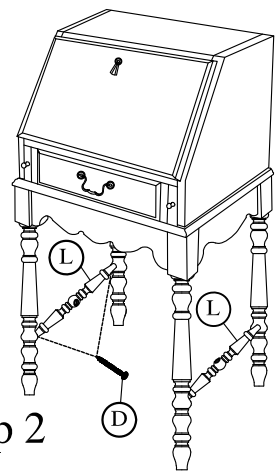
(K) 2-Right Legs



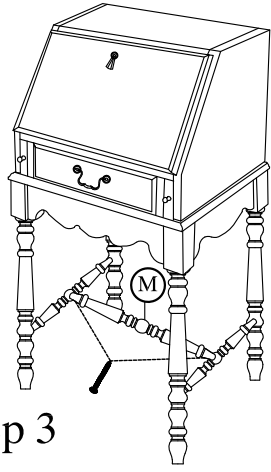
(M) 1-Centre Structure



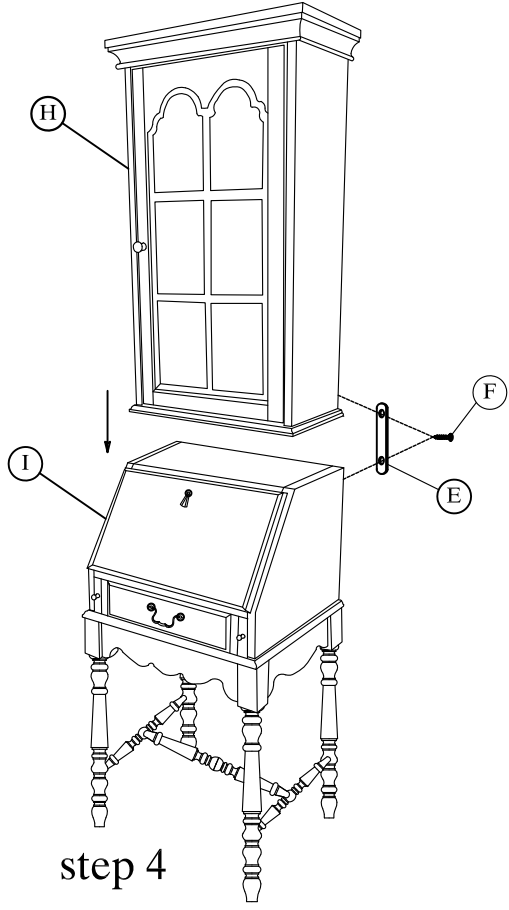
step 1



step 2



step 3



step 4

**(\*Caution:DO NOT OVERTIGHTEN**

In any correspondence regarding this product, please include the complete identification number located on the underside of the product.

We hope this secretary will be a useful and decorative addition to your home for years to come.