

# USER'S MANUAL

## Table of Contents

Thank you for purchasing the Furgle Adjustable Bed Base. Please read this manual carefully before use, especially the safety section.

Please keep this manual after reading and refer to it whenever necessary.

Disclaimer and Precautions	01
Product Display	02
Parts List	02
Installation Instructions	03
Remote Control Instructions	05
Remote Control and Adjustable Bed Base Pairing	05
Setting and Use of Programmable Positions	05
Restore Factory Settings	06
Child Lock Function	06
Tips	06
Warranty and After-sales Service	07
Product Information	08
Troubleshooting	08

The product technology is continuously improved, and changes may occur without further notice. Please refer to the actual product for details.

## Disclaimer and Precautions

Please read this manual carefully before installing and using this product, operate in accordance with the relevant content of this manual, and keep the manual properly.

### 1. Connect the adjustable bed base to the wall power correctly

Connect your adjustable bed base to the wall power correctly. It is recommended to use a current protector (not provided with your adjustable bed base). The adjustable bed base should be connected to the wall power. Incorrect power connection may cause electric shock or fire, etc.,

Damage to motors and appliances caused by incorrect power connection will not be covered by the warranty.

### 2. Avoid electric shock

In the process of using this product, please do not open or disassemble any parts of your adjustable bed base without authorization. Make sure the AC power cord is unplugged before repairing or cleaning your adjustable bed base to avoid electric shock.

### 3. Make sure that the AC power cord is always kept away from any flammable and high-temperature objects

### 4. Reduce risk of injury

During the operation, please ensure that your body is placed in a safe range to prevent injuries.

Please dispose of the packaging in time.

To avoid injury, do not allow any person or pet under the adjustable bed base at any time.

Place the remote control out of reach of children.

When children use the adjustable bed base, they must be accompanied by adult.

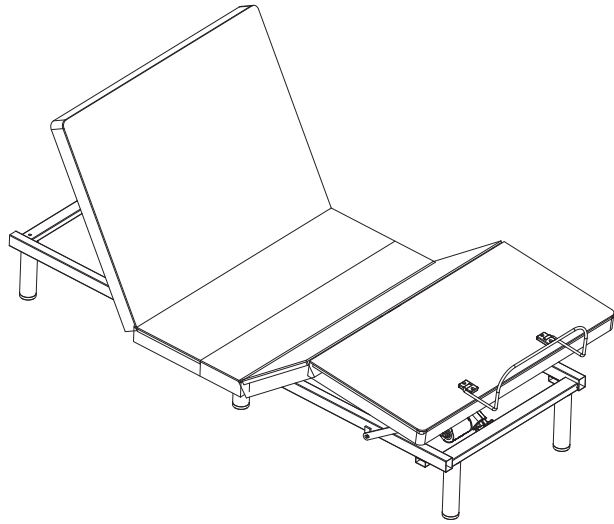
### 5. Use accessories correctly

Please refer to this manual for the correct use of accessories, use the accessories provided or approved by Furgle, otherwise the damage caused by this will not be covered by the warranty.


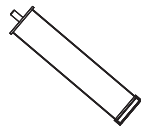
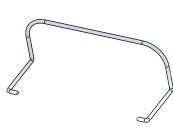
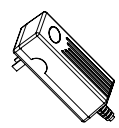
### 6. WARRANTY WARNINGS

Tampering with or opening the control box, motors, or remote control(with the exception of replacing batteries) will void the warranty. For detailed warranty regulations, please refer to the warranty card.

## Product Display

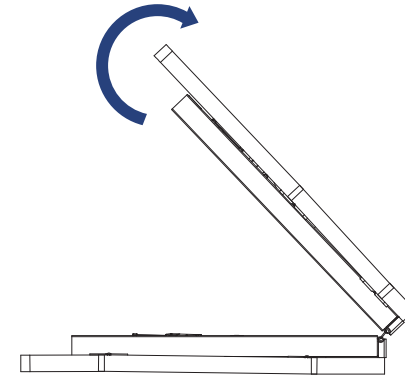


## Parts List

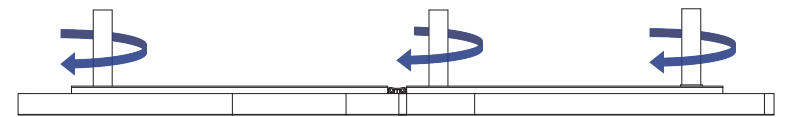
Remote Control	Legs	Retainer Bar	AC Power Cord
			
×1pcs	×6pcs	×1pcs	×1pcs

## Installation Instructions

\* The installation process requires two people to cooperate.



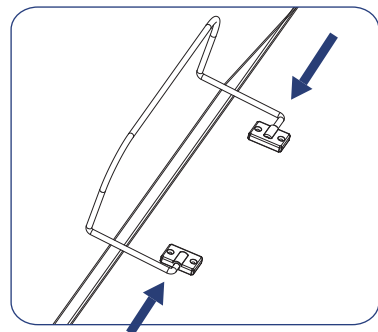
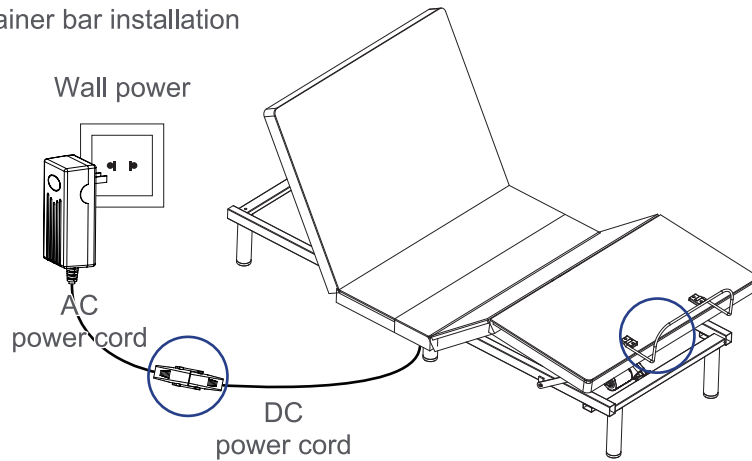
Open the package, the upper side is the foot end, unfold in the direction shown in the picture.



Cut the cable ties, take out retainer bar and accessory box from the packaging, count all the accessories.

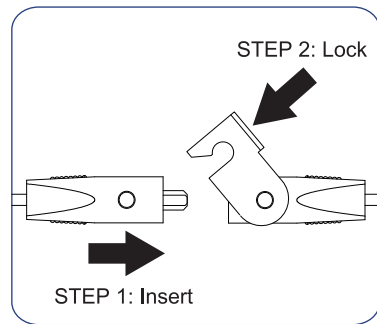
Take out 6 legs in the accessory box, and tighten as shown in the picture.

## Retainer bar installation



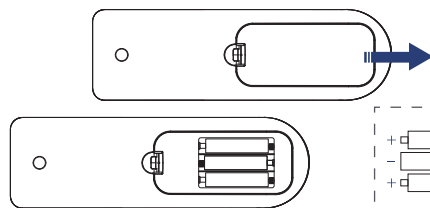
### Retainer bar installation

Pull the retainer bar apart to lock it into the metal latch on the adjustable bed base frame.



Uncoil the DC & AC power cord, connect the DC power cord to the AC power cord, then connect the AC power cord to wall power.

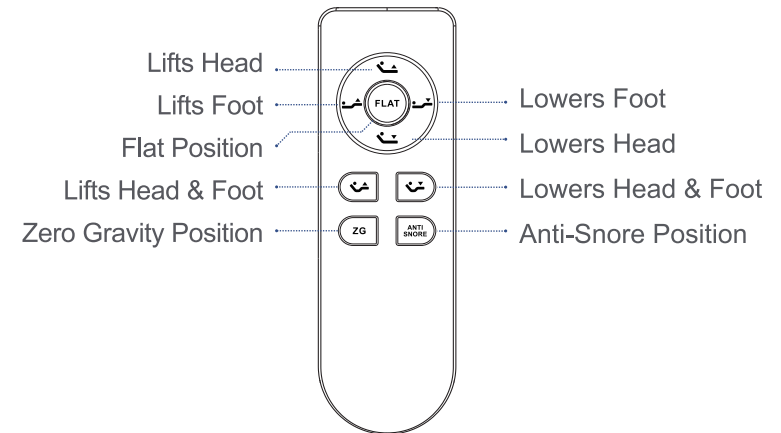
**\* Note: Do not pull the power cord forcibly.**



Reminder:  
You need to prepare the battery by yourself.

Open the back cover of the remote control, install the batteries, pay attention to the positive and negative poles.

## Remote Control Instructions





## Remote Control and Adjustable Bed Base Pairing

The remote control and adjustable bed base that come as a set have already been paired at the factory, so there is no need to pair them again.

If you want to pair a non-set remote control of the same brand and model with the adjustable bed base, you can follow these steps:


Step 1: Unplug the power cord and connect the wall power, after 5 seconds, the control box indicator light will turn blue, indicating that the control box has entered pairing mode.


Step 2: Press and hold the lifts head  and lowers head  buttons at the same time. The backlight of the remote control will flash, indicating that the remote control has entered pairing mode. Continue holding until the backlight of the remote control stops flashing and remains on, and the control box indicator light turns green, indicating that the pairing is complete.

Note: When the control box is re-powered, it will be in pairing mode for the first 10 seconds. After 10 seconds, the control box indicator light will turn green, and you can then directly use the remote control to operate the bed.

If the pairing is not completed within the time limit, please repeat the above actions until the pairing is successful.

## Setting and Use of Programmable Positions

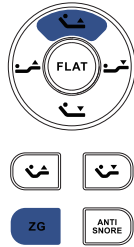
Adjust the head and foot to your preferred position, then press and hold the Zero Gravity Position button  about 5 seconds until the remote control light flashes. The remote control sets the current position as a new memory position.


Once the setting is successful, simply press the Zero Gravity Position button  briefly, and it will automatically adjust to your desired position.

## Restore Factory Settings

Press and hold Zero Gravity Position **ZG** and Flat Position **FLAT** for 5 seconds until the backlight flashes and the control box is restored to factory settings.

## Child Lock Function



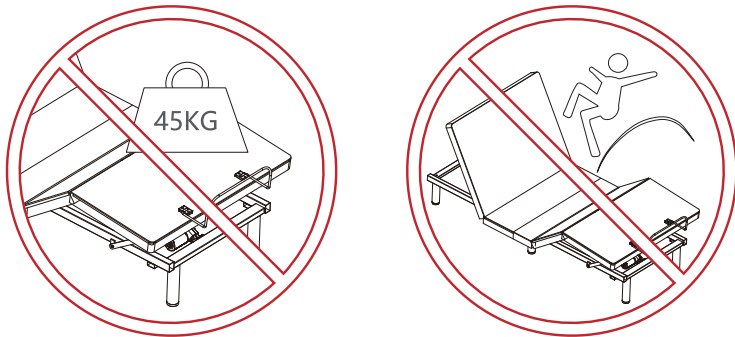
Press and hold the Lifts Head button  and the ZG button **ZG** for 5 seconds until the backlight flashes. The remote control enters child lock mode.

In child lock mode, pressing any button will make the backlight flash, but the control box will not respond, and the motor will remain inactive.

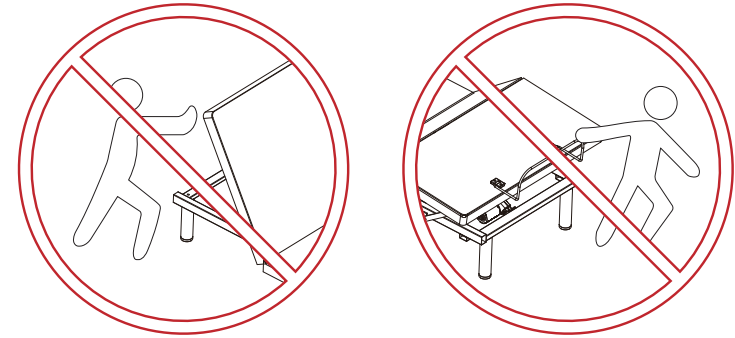
To exit the child lock mode, press and hold the Lifts Head button  and the ZG button **ZG** again for 5 seconds until the backlight flashes, and the remote control will exit the lock mode.

## Tips

Donnot put anything equal or over 45kg on the bed when the Adjustable Bed Base has been raised.  
Kid equal or over 45kg is not allowed to jump up and down on the raising part of the bed.



Donnot push the back of the bed or pull the end of the bed hardly when the adjustable bed base has been raised.



## Warranty and After-sales Service

Furgle only provides warranty coverage for cases where the purchaser's adjustable bed base exhibits defects resulting from faulty workmanship or materials (excluding accessories). In such instances, the purchaser can reach out to the store from which the adjustable bed base was acquired, and must furnish the original purchase receipt along with the purchase date. Furthermore, this request for warranty service must fall within the specified warranty period.

### Limited Warranty

Within 2 years from the date of installation, we will provide free replacement of any damaged parts, with us covering a portion of the material and shipping costs.

### Permanent repair

From the 3rd to the 6th year, we offer repair or replacement services for any damage to the power base. Customers are responsible for covering the costs of materials, accessories, and shipping. Please note that the warranty does not cover any damage caused by improper storage by the purchaser or a third party. To avail of our basic power supply warranty, the purchaser must present this warranty card along with the proof of purchase.

### Maximum load-bearing

Our adjustable bed base has undergone rigorous testing within the recommended load-bearing range, as specified in the warranty card. However, any damage resulting from exceeding the recommended weight limit will void the warranty.

\* The maximum load-bearing capacity is 660 lbs (including the weight of the iron frame).

## Product Information

Adjustable angle range of the back	≤60° ± 3°
Adjustable angle range of the foot	≤30° ± 3°
Maximum load (including mattress weight)	300KG
Appearance performance	Comply with national furniture and other related industry standards.
Mechanical performance	Comply with national furniture and other related industry standards.

## Troubleshooting

Symptoms	Cause Analysis	Solutions
Legs cannot be tightened.	The screw slips, the screw does not match the screw hole.	Reaming with corresponding specifications of taps.
The iron frame is unstable and shakes.	The ground is not level and the connecting parts are loose.	Adjust the product position (or level up).
Stains on the iron frame.	Caused by warehousing or transportation.	Just wipe it with a clean towel.
Unpleasant smell.	New product is not breathable after packaging.	Ventilate and change air after unpacking.
Abnormal noise.	Loose screws, or friction between mattress and headboard.	Check and tighten the screws in each part, keep a certain gap between the mattress and the headboard.
The cloth surface is wrinkled and not neat.	Keep heavy objects on it for a long time.	Tap the surface of the cloth with your hand, flatten both sides.
Motor abnormal noise.	Interface connection error, motor installation error, motor damaged during transportation.	Check the wiring and reconnect the control box, and check the installation position of the motor according to the installation diagram.
The vibration motor overheats or stops.	Overheat protection, the motor automatically shuts down.	Wait 30 minutes, and then restart the operation. If it doesn't work, please contact customer service.
LED does not work.	Loose socket.	Check if the interface is loose, reconnect the socket.