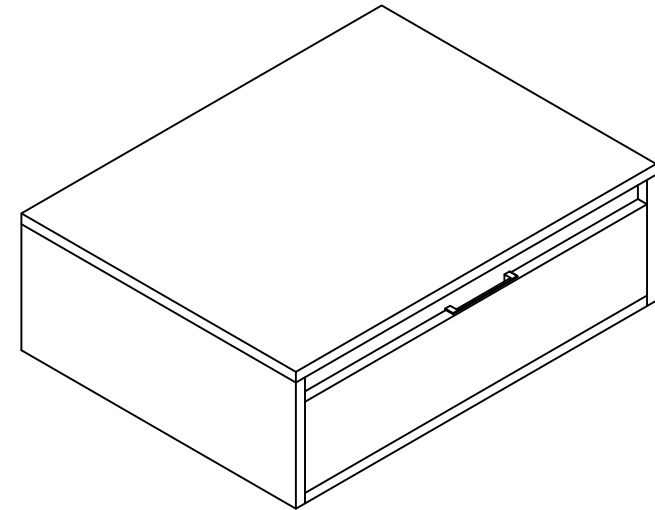


Installation Manual-BV B120 I24 GWH

MOTIVATE  
YOUR LIFE !

## THANKS FOR WATCHING

Your feedback is invaluable to us and we would love to hear about your experience. Please take the time to leave us a review.


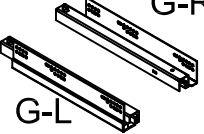
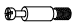


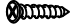






## Thank you for shopping with us!

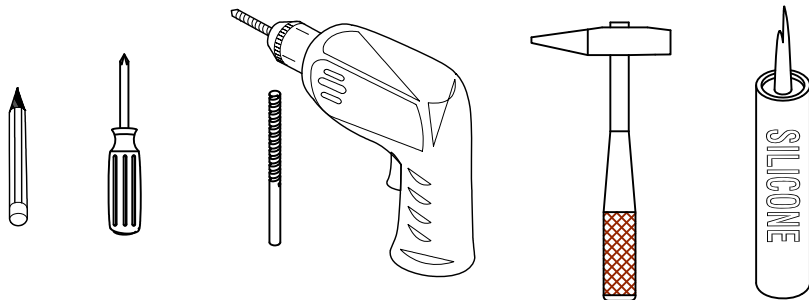
We encourage you to take a few minutes to go through this booklet. It contains important information on installation and care tips to keep your furniture looking as good as new.

# Item NO.:BV B120 I24 GWH

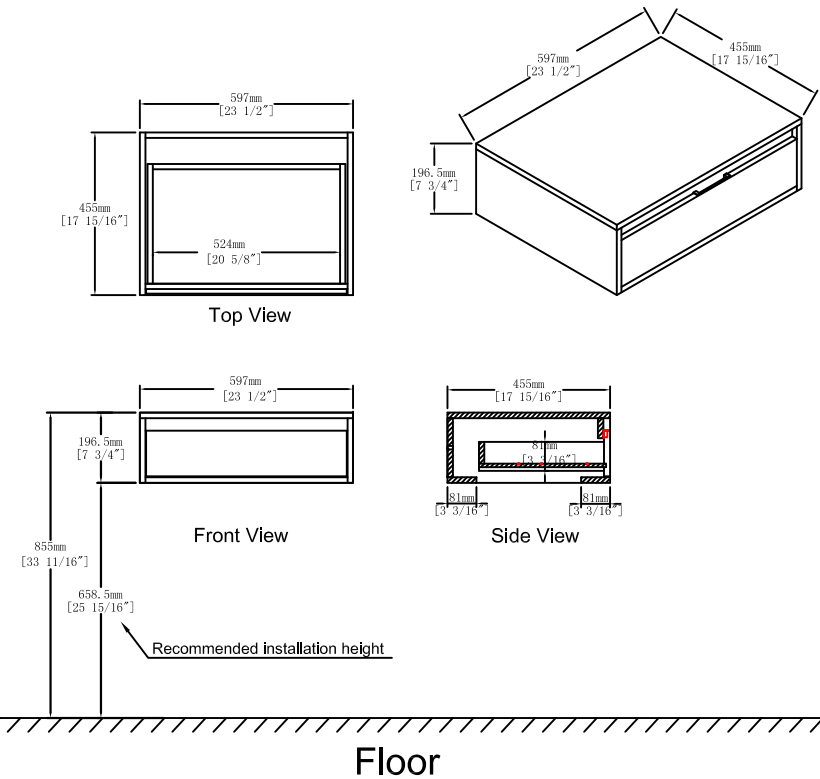
## Hardware

NO.	Draw	QTY	NO.	Draw	QTY
A	 Screws Ø4x14mm	10	G	 G-R G-L Track	1
B	 Two-in-one connector	33			
C	 Two-in-one connector	33			
D	 Wood plug	2	H	 Screws Ø4x20mm	4
E	 Plastic anchor(Ø10mm)	2	I	 Anti-collision gasket	2
F	 Screws for fix on the wall	2	J	 Screwdriver	1

## Recommended tools



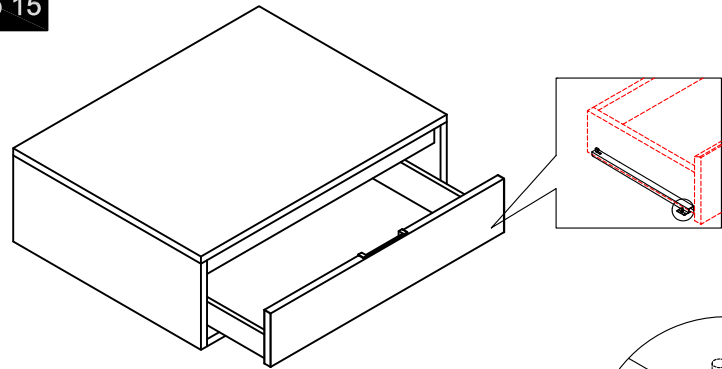
## Dimensions



## CARE CLEANING AND MAINTENANCE

1. Dust regularly with a soft , dry cloth.
2. Avoid the use of all chemicals household cleaners, abrasives, or cleaners that contain lemon, vinegar, or other acids that may damage the finish.
3. Excessive exposure to sunlight and extreme changes in temperature and moisture can damage wood furniture.
4. Do not place hot appliances, such as curling irons and hot hair dryers directly on the countertop. Wipe spills immediately.

### Step 15



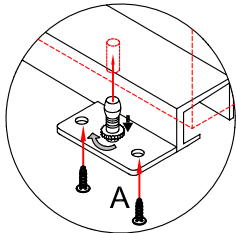
( $\varnothing 4 \times 14\text{mm}$ )



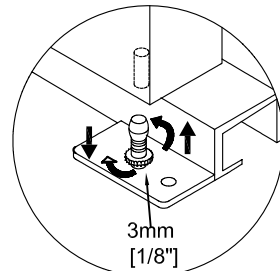
A



Tool

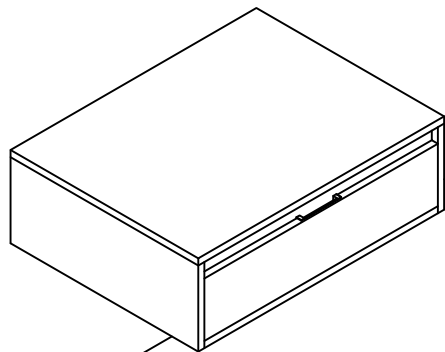


Note: The bottom of the rail is fixed with screw A

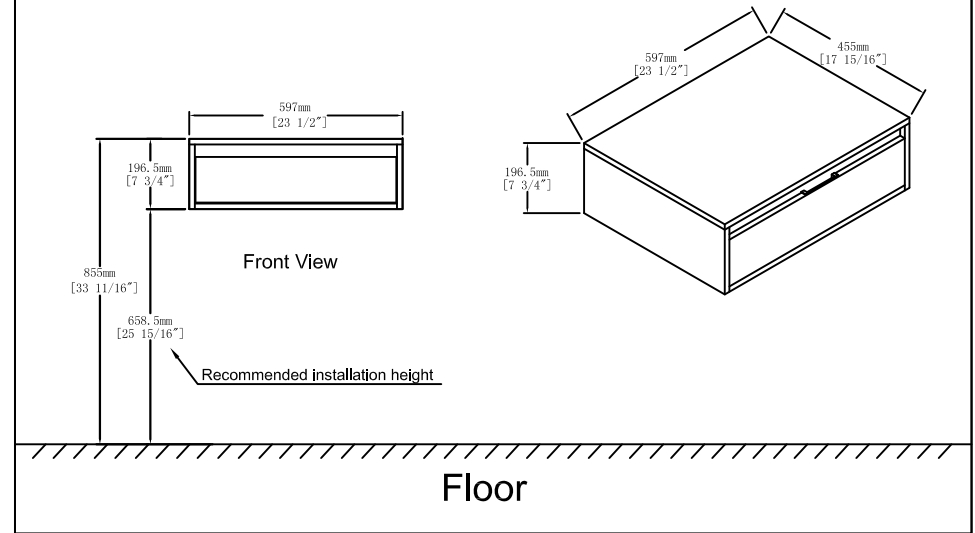


Note: The rails adjust their height 3mm.

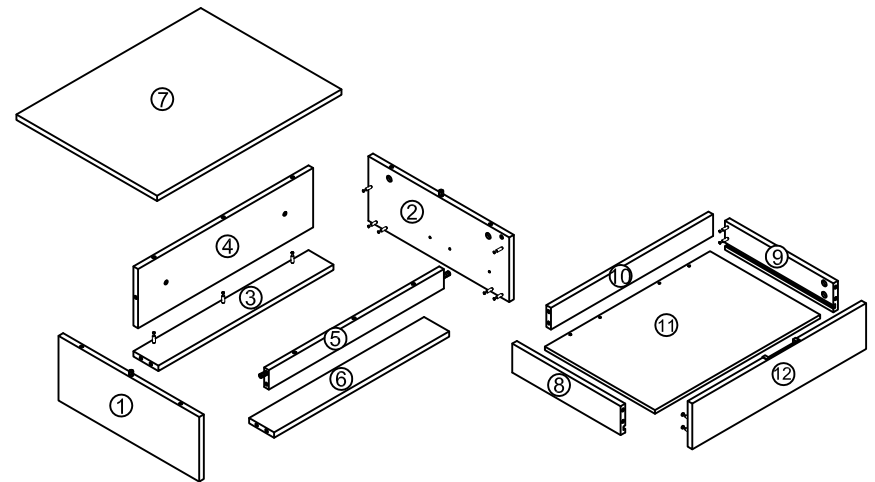
### Finished



### Dimensions

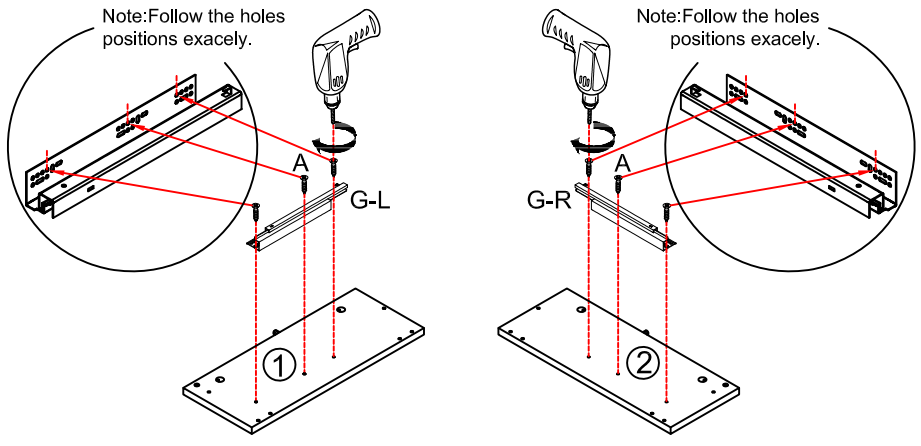


### Components



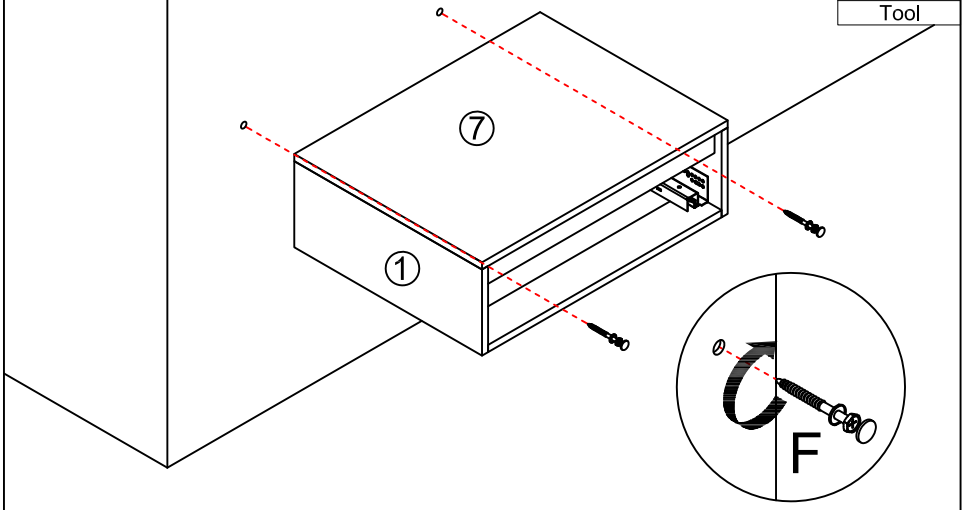
### Step 1

( $\varnothing 4 \times 14\text{mm}$ ) A x6	G-L x1 G-R x1	 Tool
--	------------------	----------



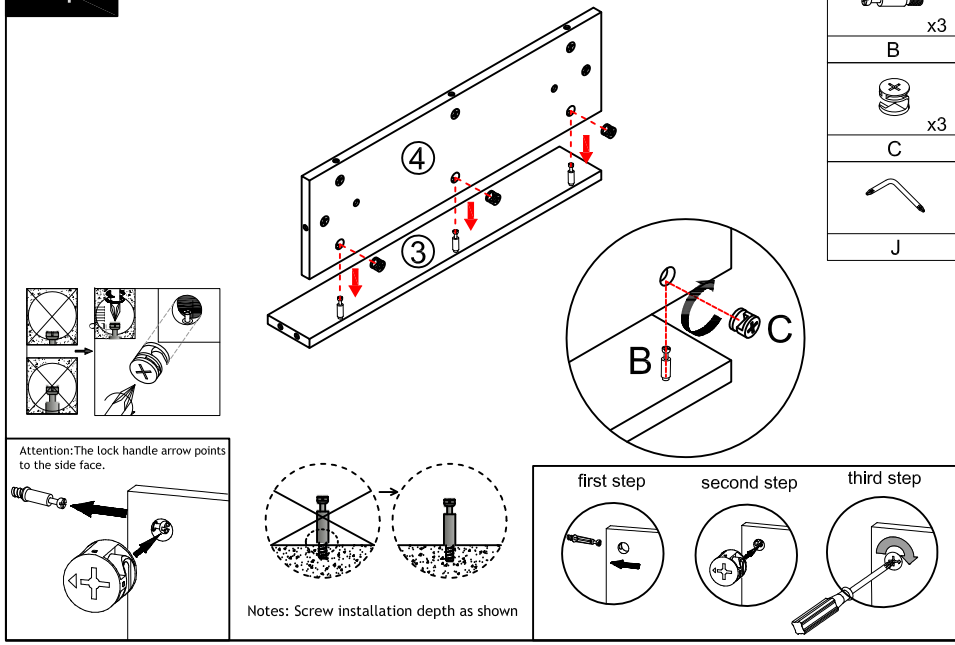
### Step 13

 F x2	 Tool
----------	----------

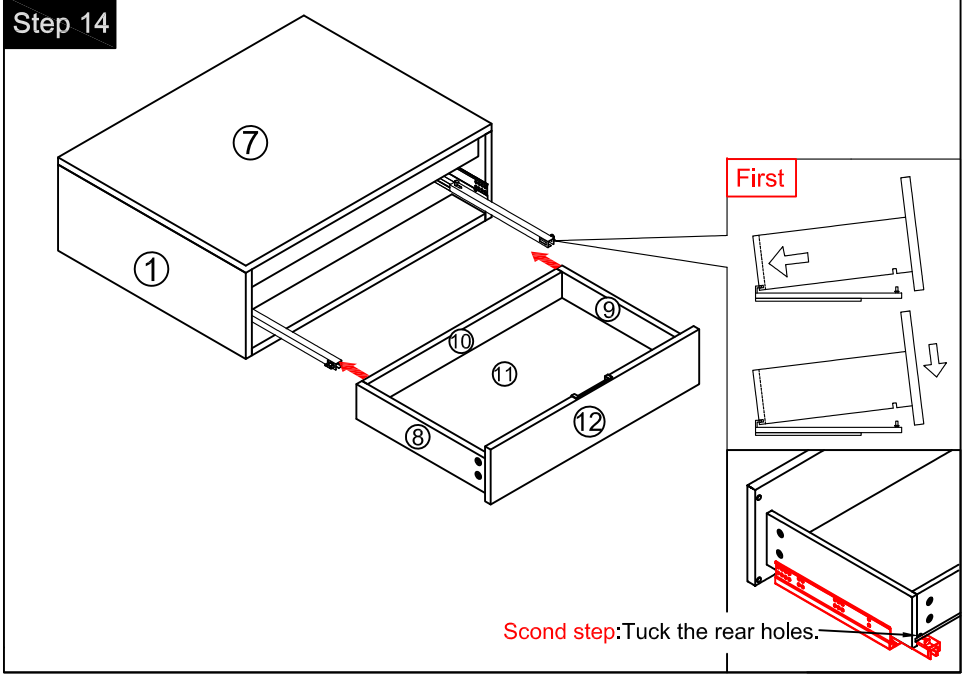


### Step 2

 x3
B
 x3
C
 J

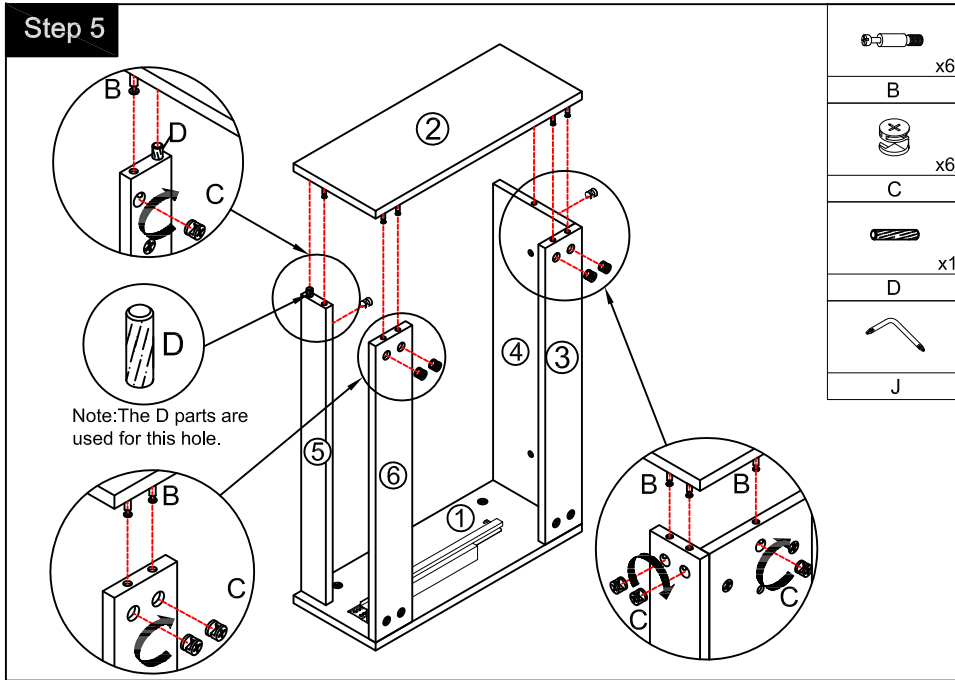


### Step 14

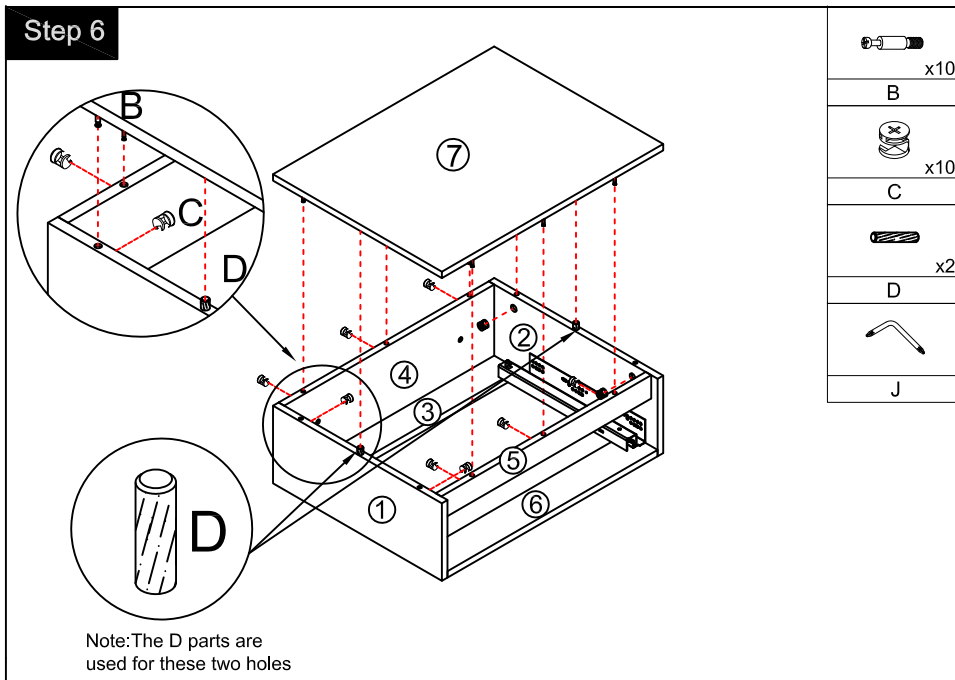




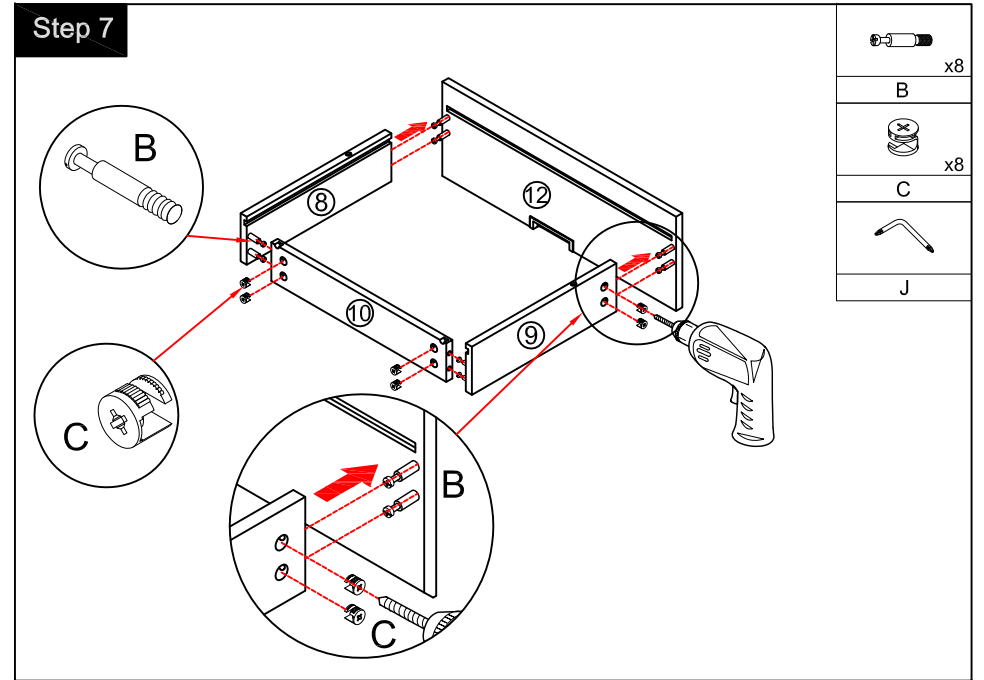
### Step 5



### Step 6



### Step 7



### Step 8

