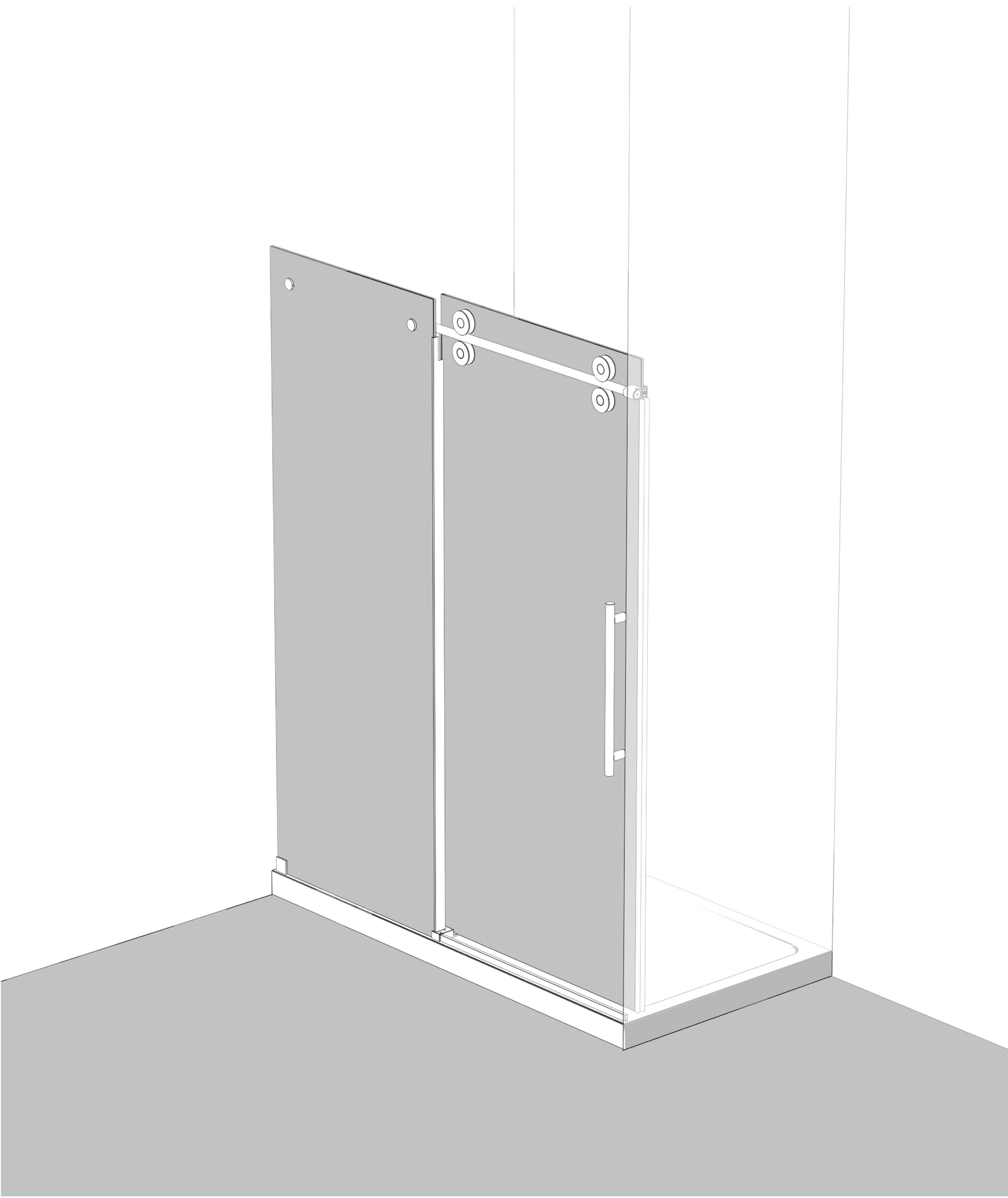
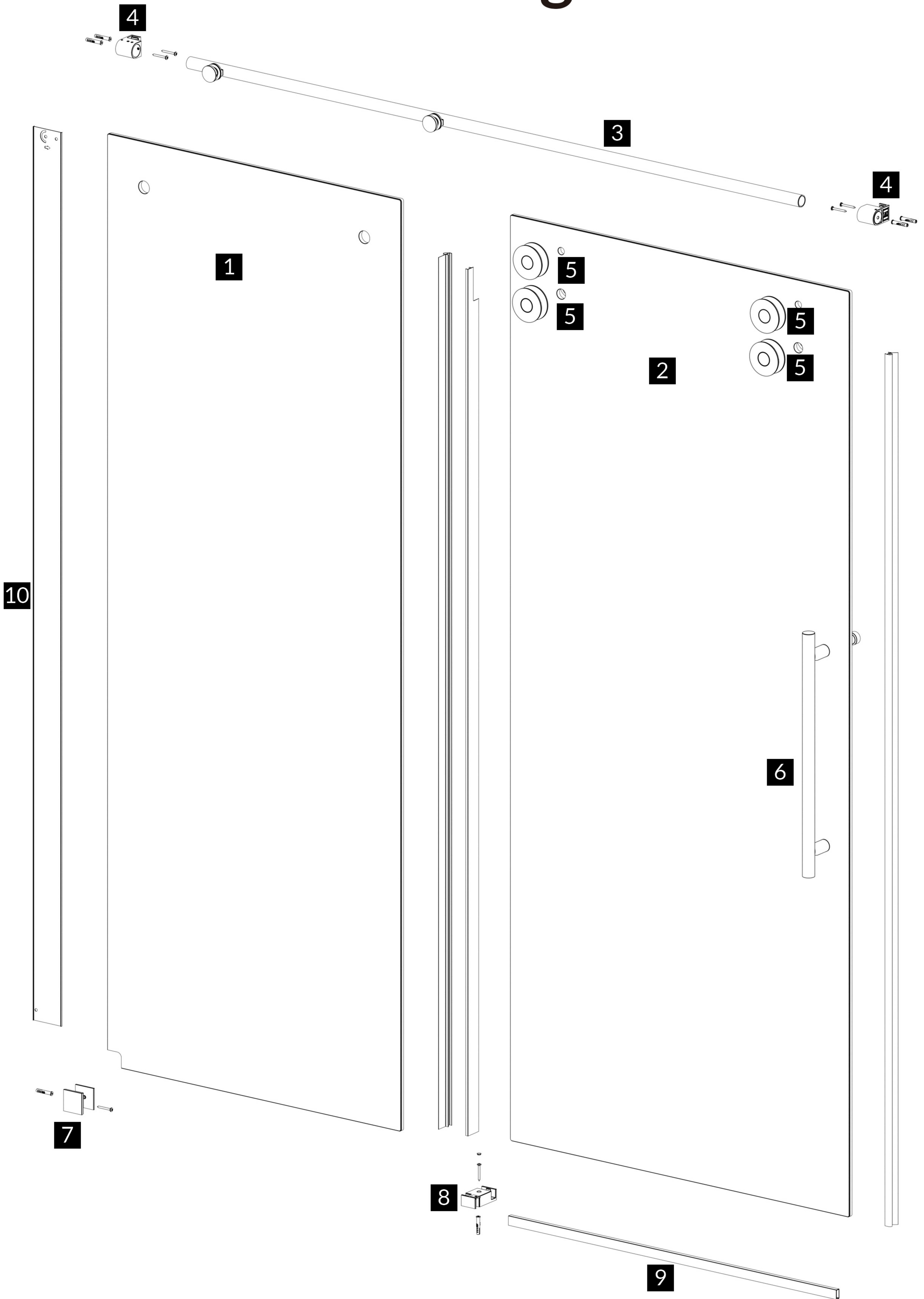


Sliding Shower Door Installation Instructions


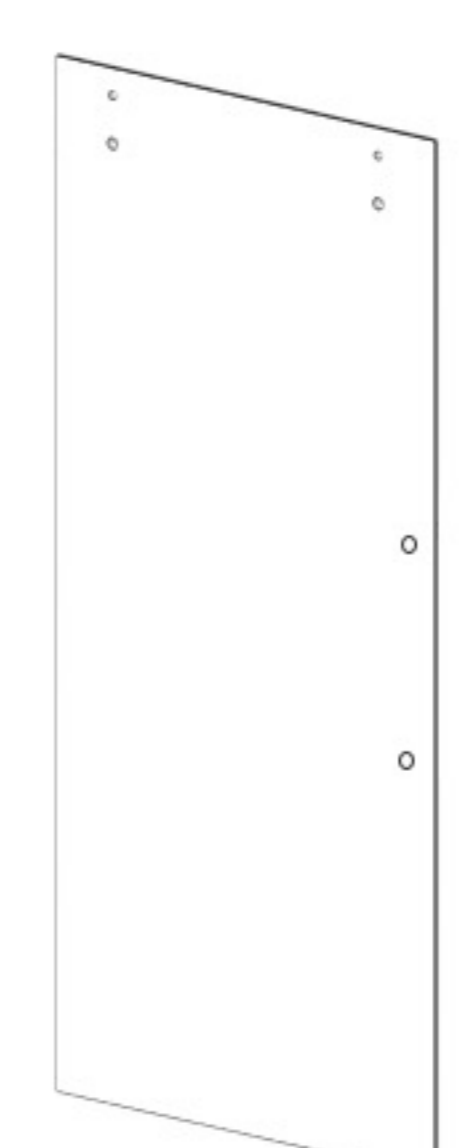
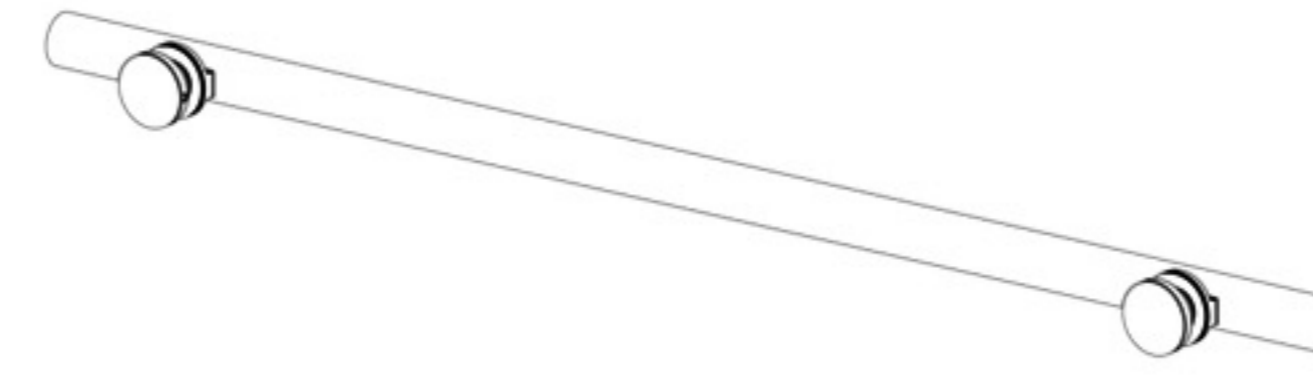
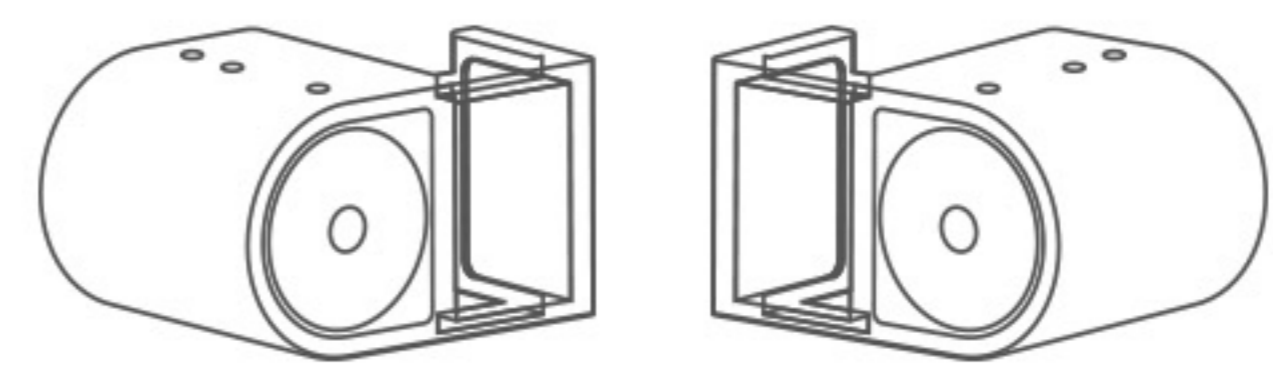
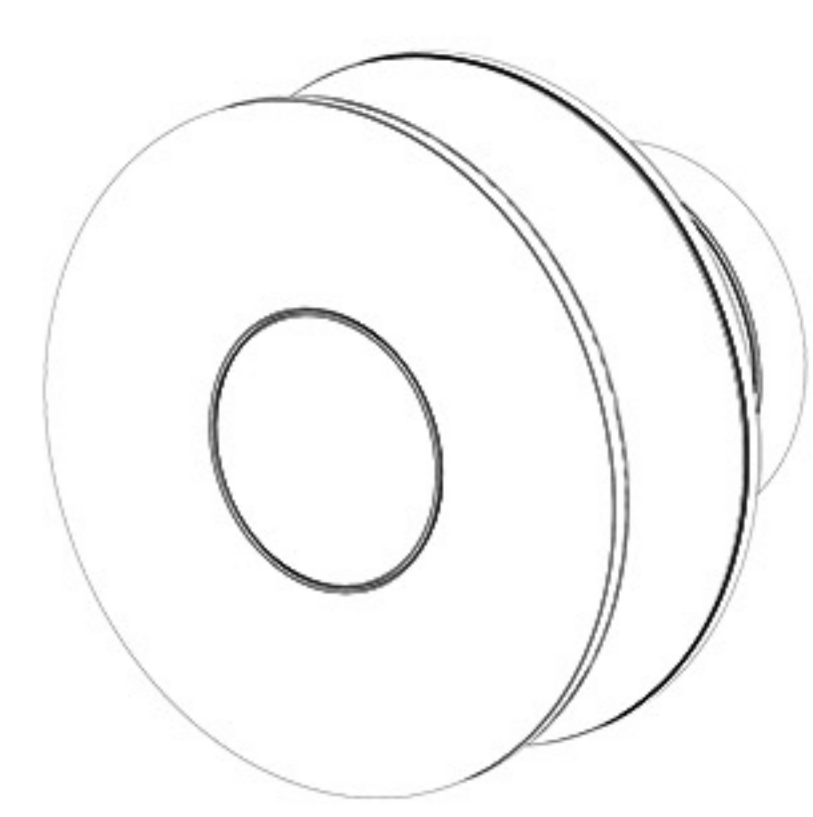



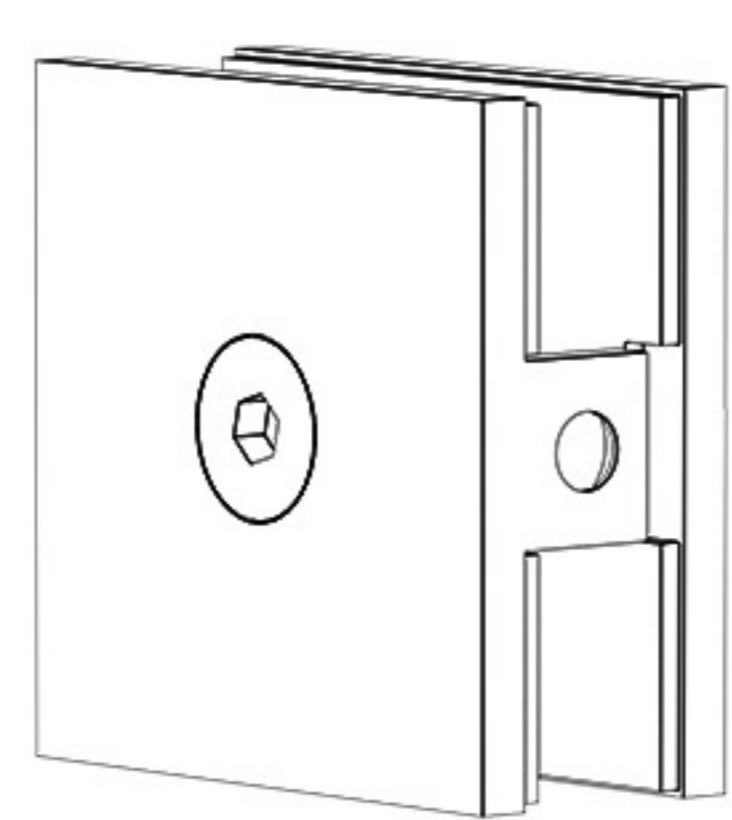
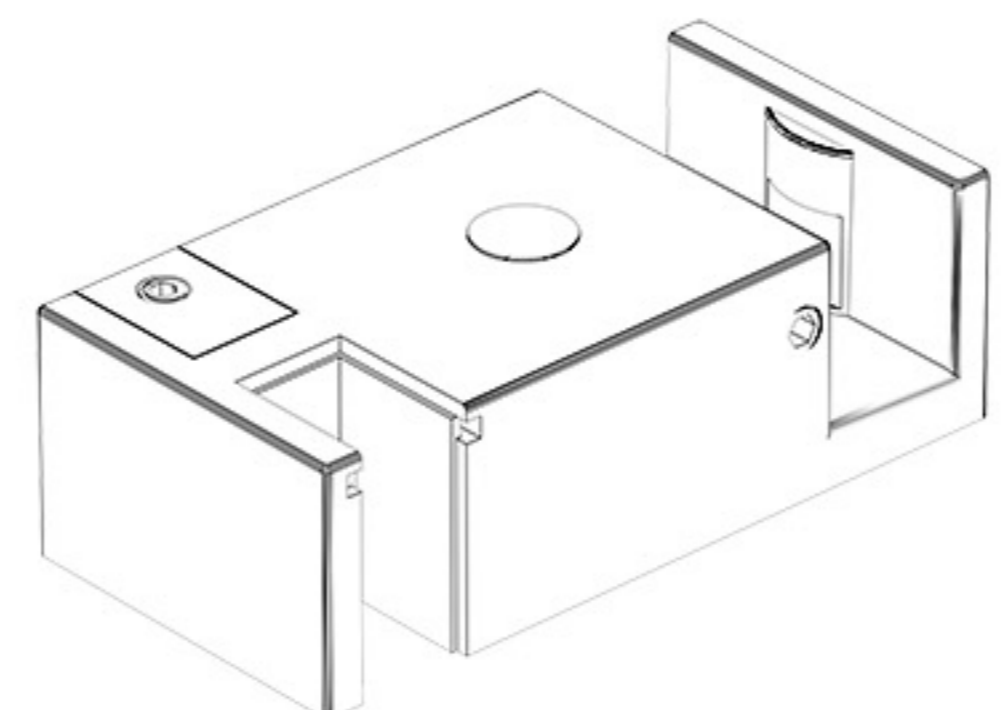
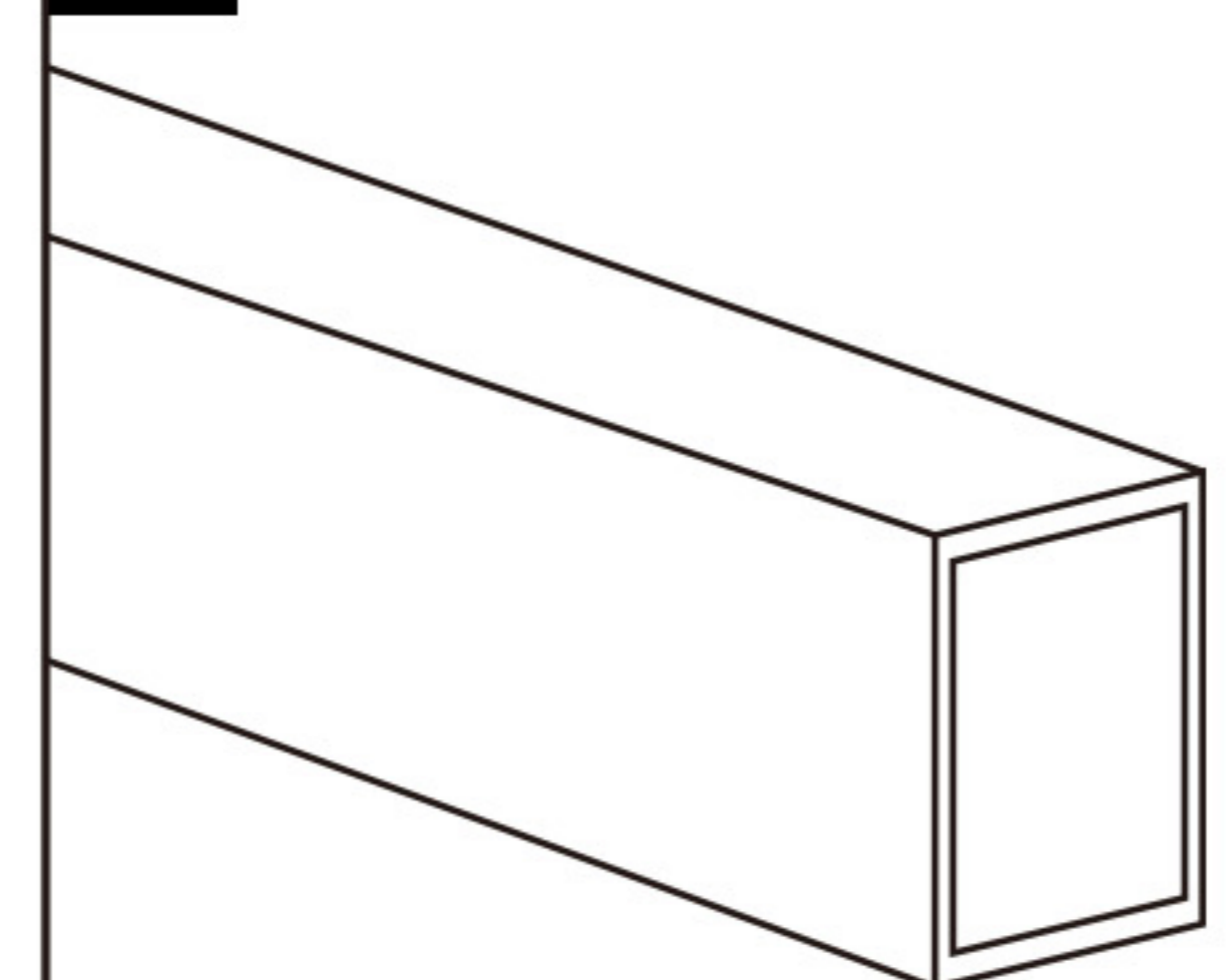
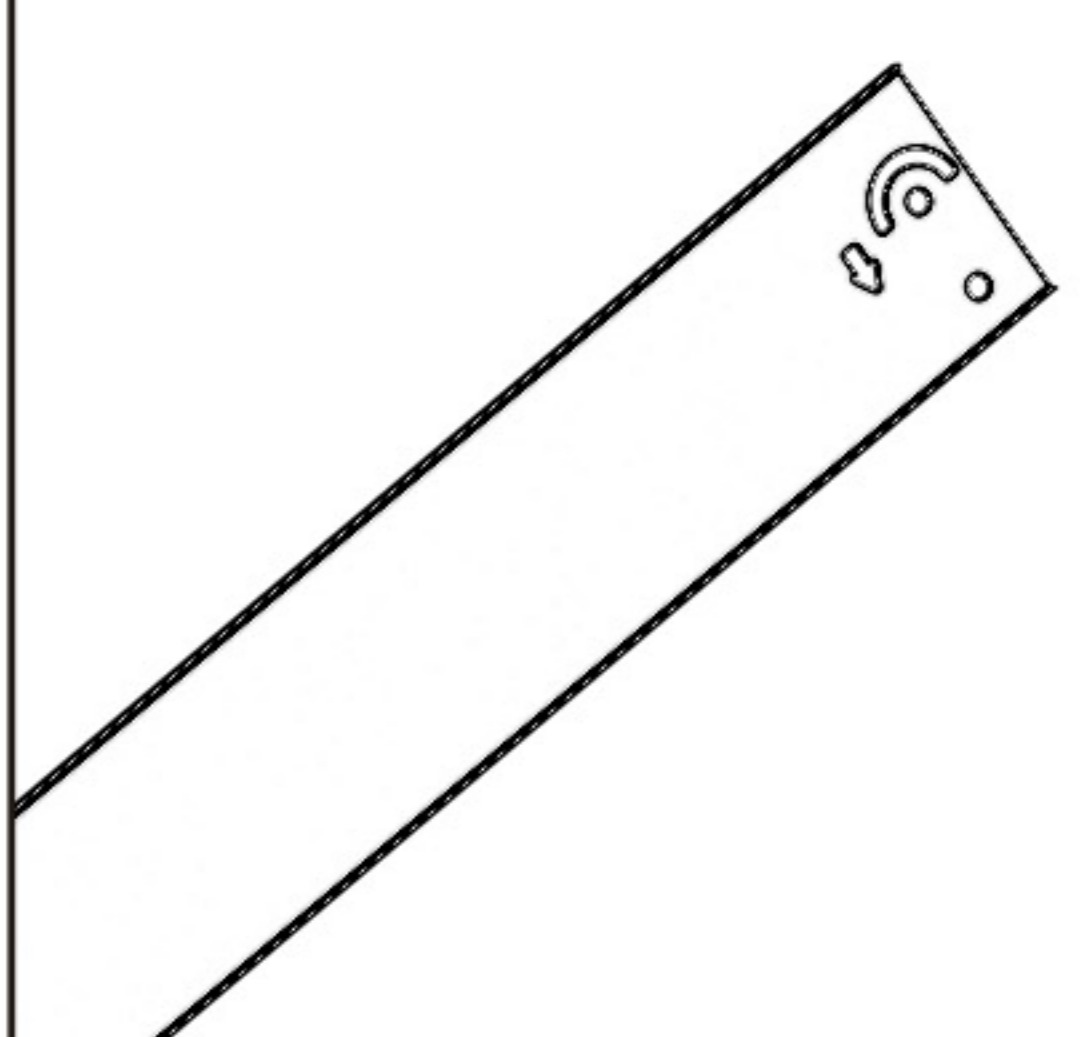
Detail Diagram



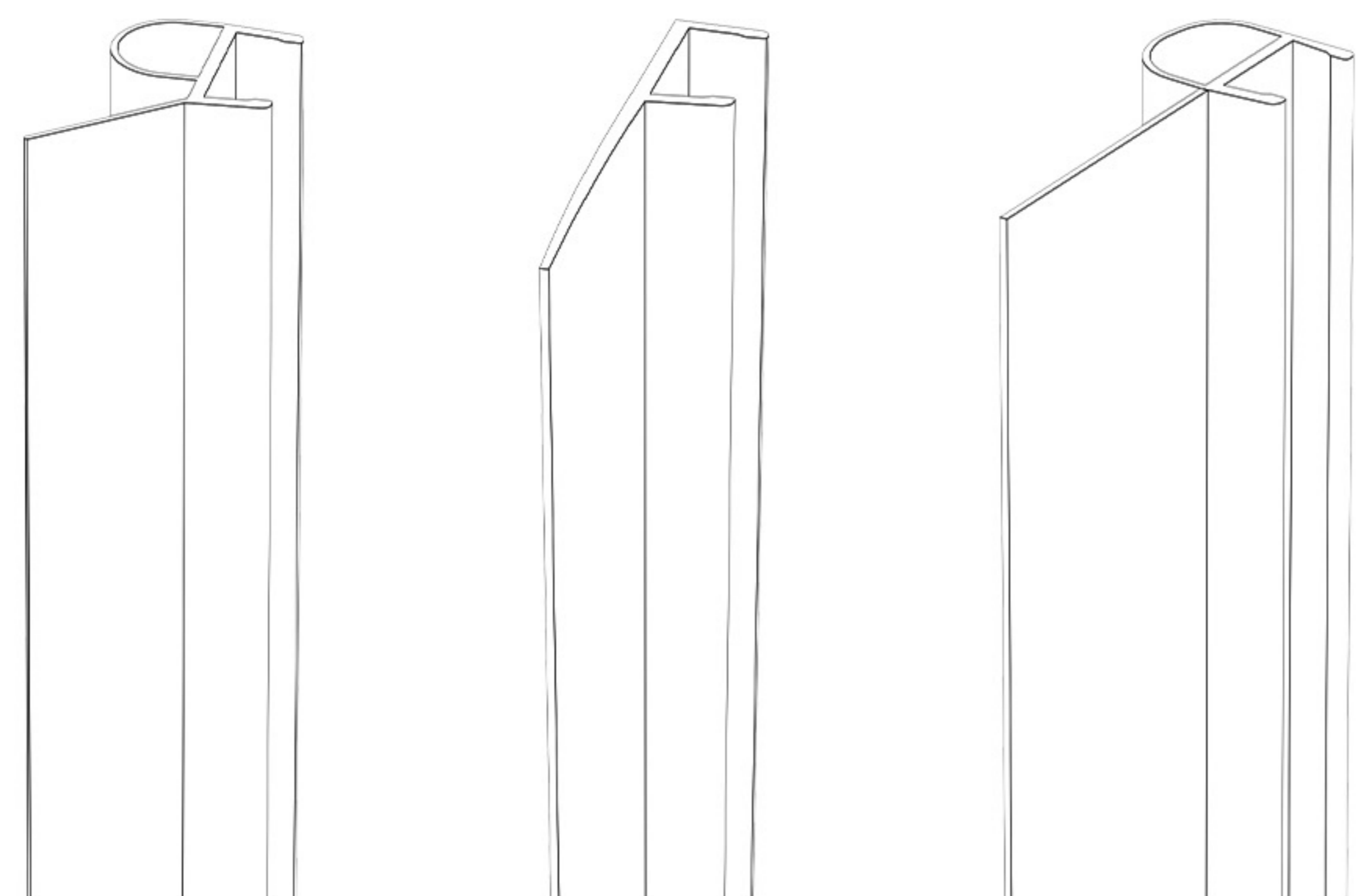
PART LIST

Check all parts according to the list before assembly.
Feel free to contact us if you need assistance

1	x1	2	x1	3	x1	4	x2	5	x4
							(L/R)		
Fixed Panel		Active Panel		Top Rail		Wall Mount Fitting		Roller	

6	x1	7	x1	8	x1	9	x1	10	x1
									
Handle		Bottom Bracket		Bottom Guide		Threshold		Alignment Aid	

Rubber Tape(3 pcs)

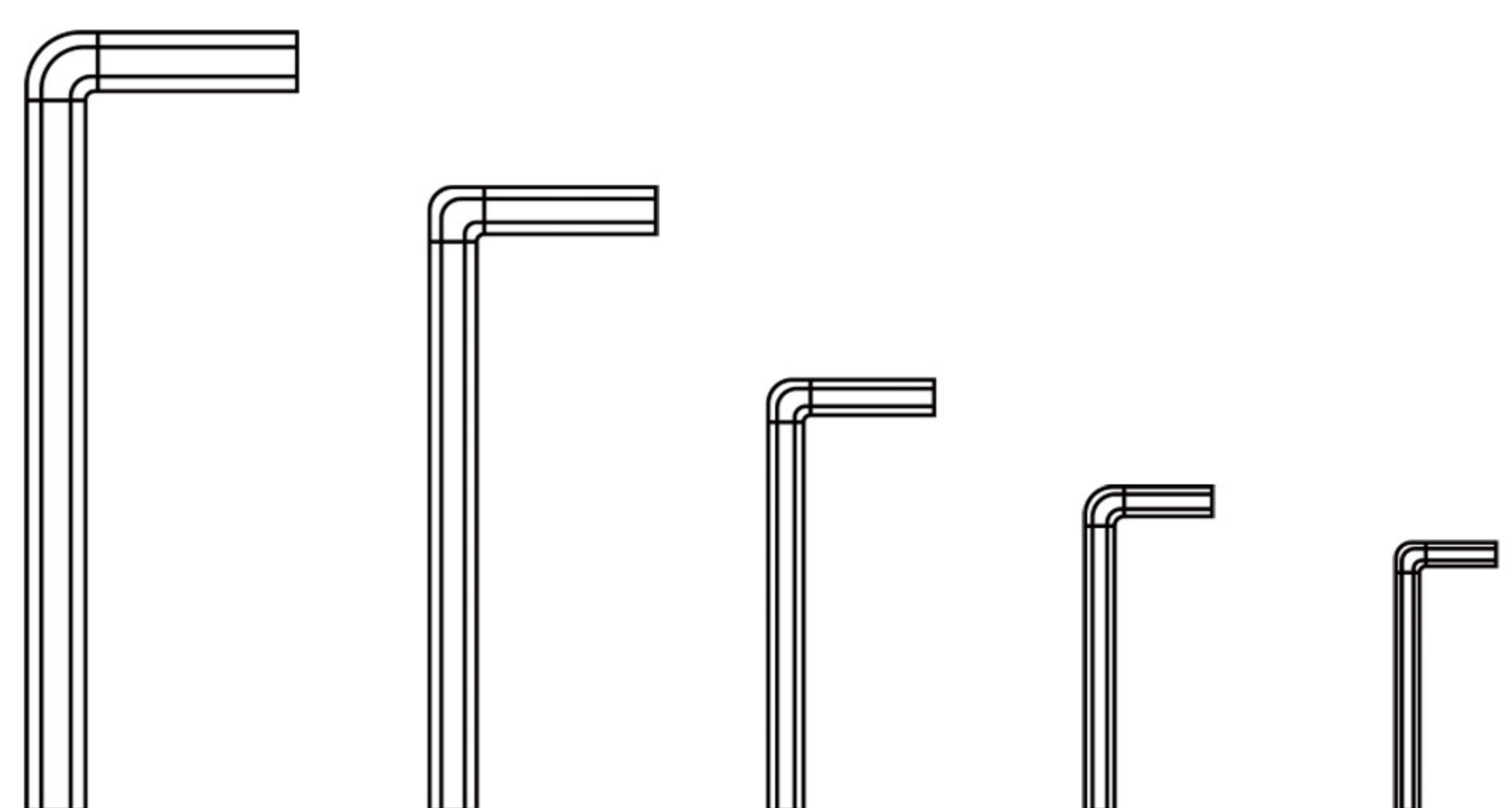


JT001

JT002

JT015

Allen Wrenches(5 pcs)



5mm

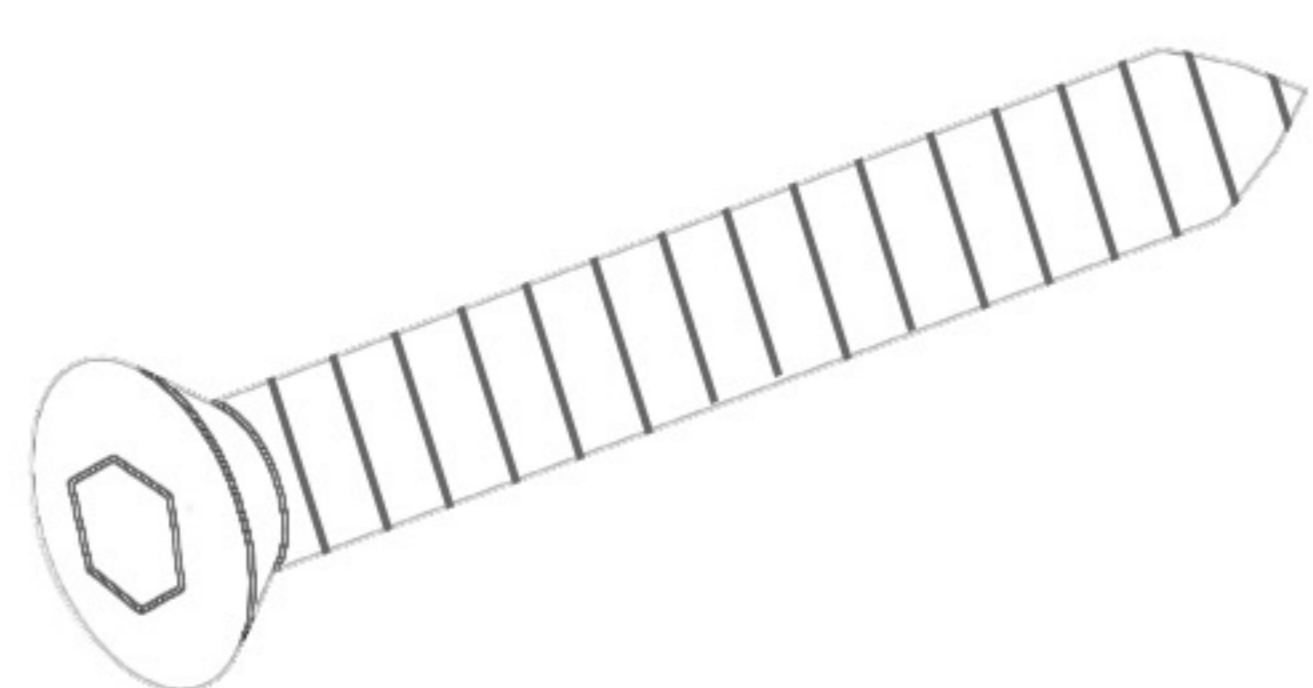
4mm

3mm

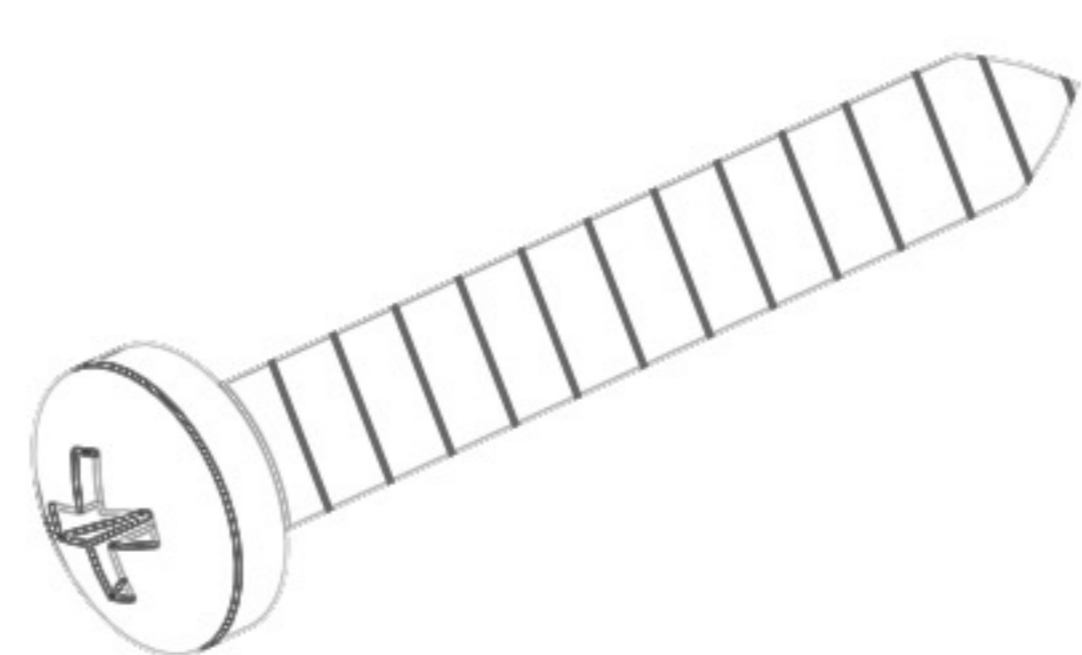
2.5mm

2mm

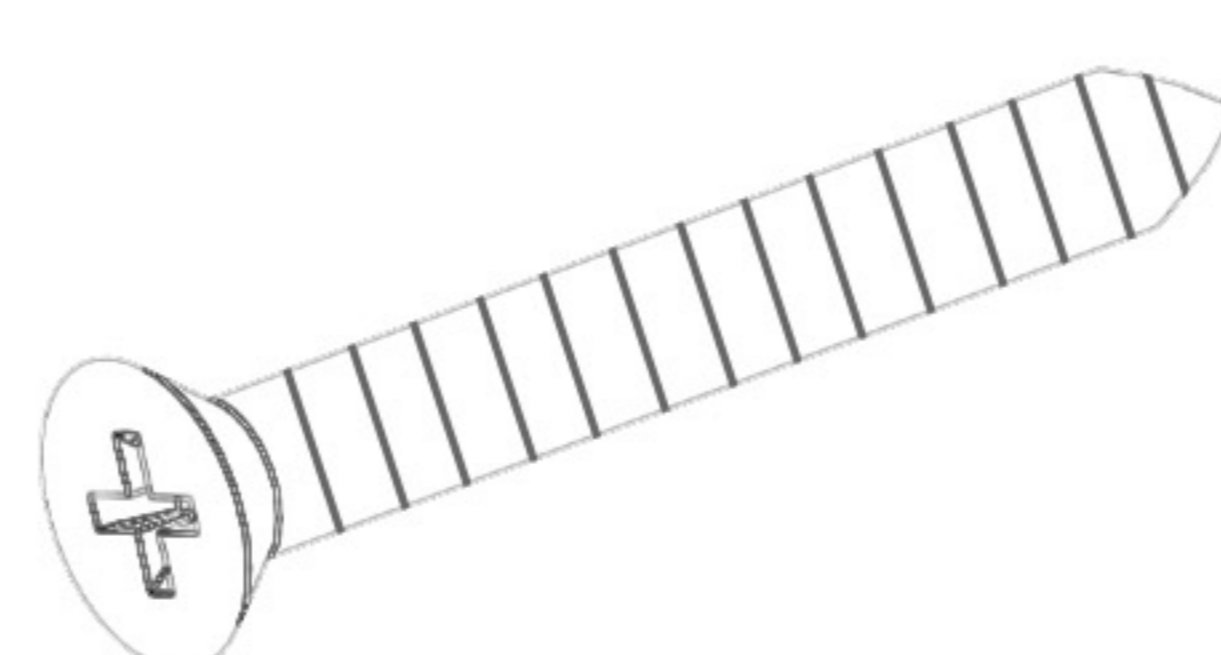
Screws and Expansion Anchors (12 pcs)



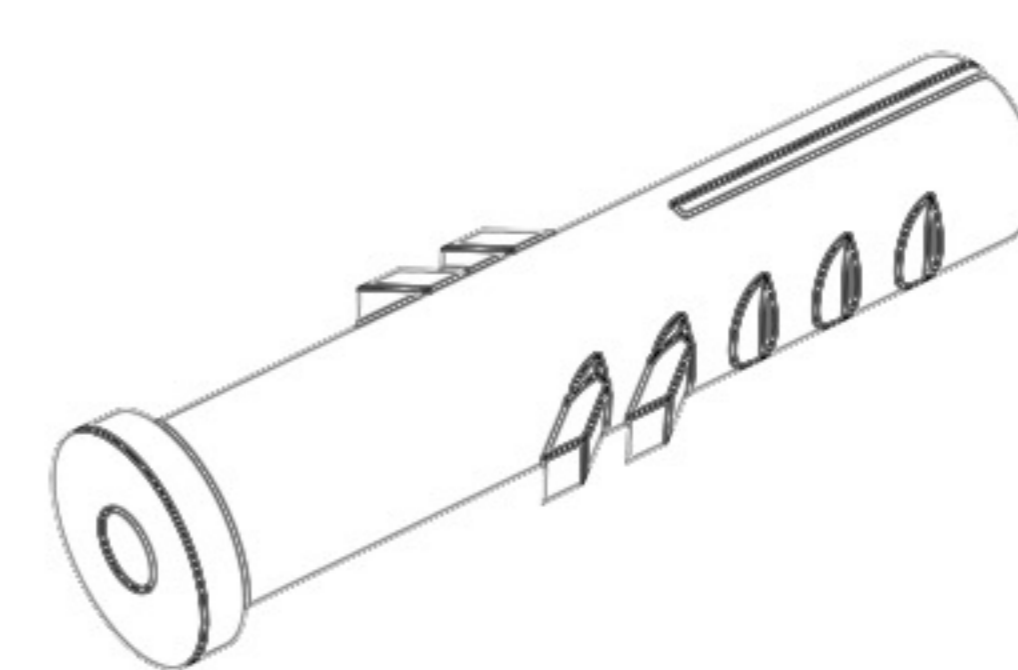
ST5x40 Hexagon Socket
Countersunk Self-Tapping Screws
(2 pcs)



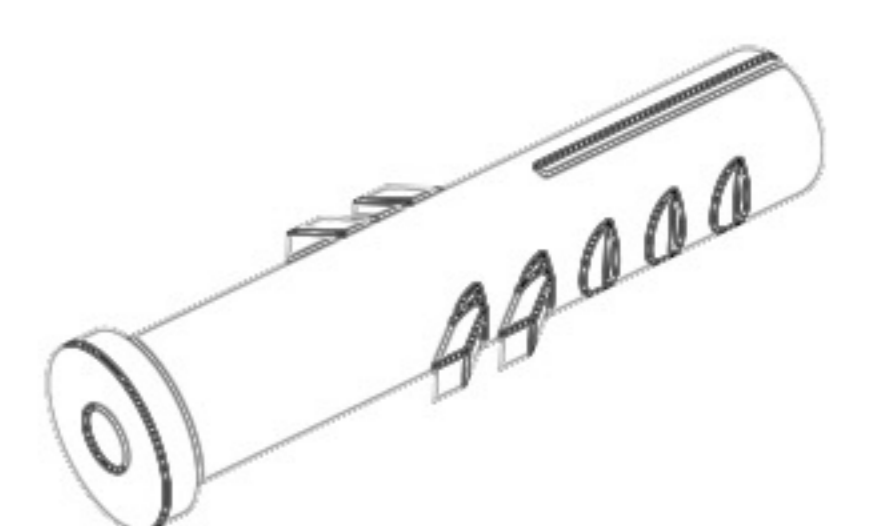
ST4x30 Phillips Round Head
Self-Tapping Screw
(1 pc)



ST4x35 Phillips Countersunk
Self-Tapping Screws
(3 pcs)



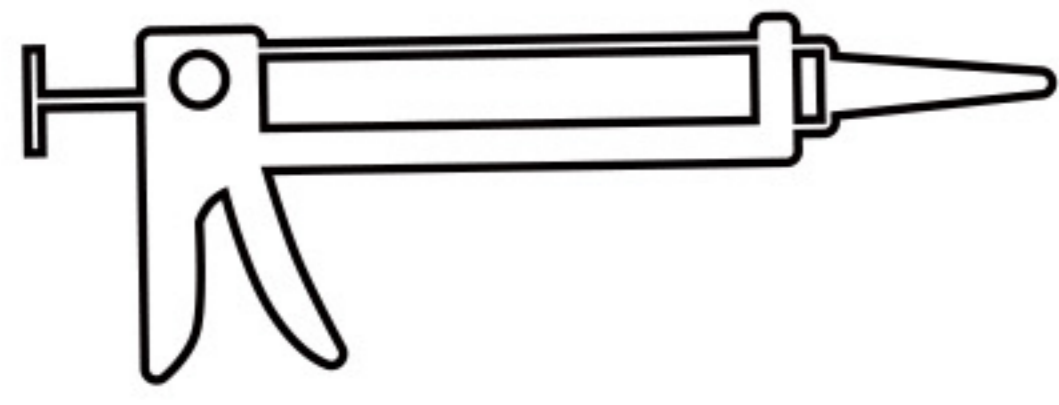
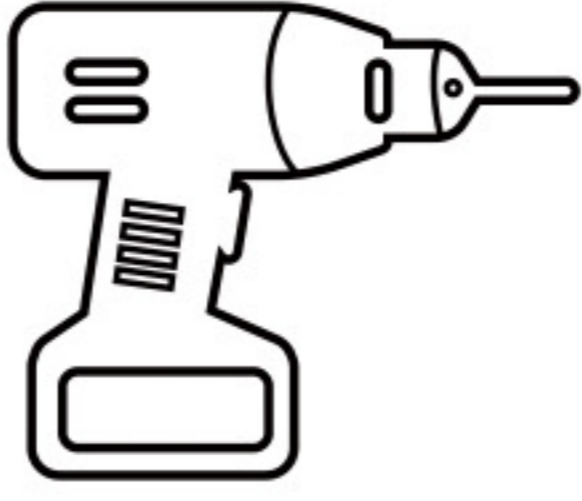
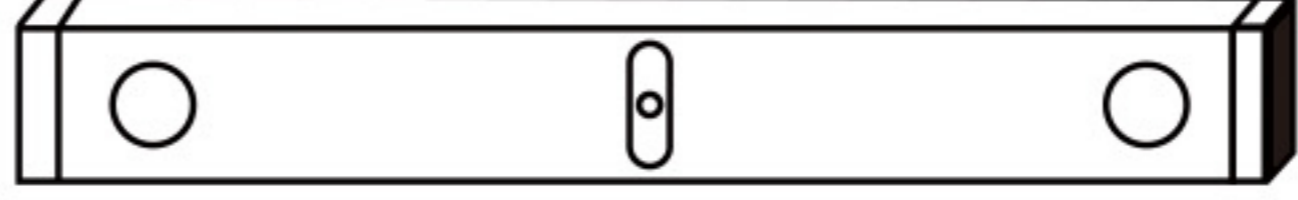


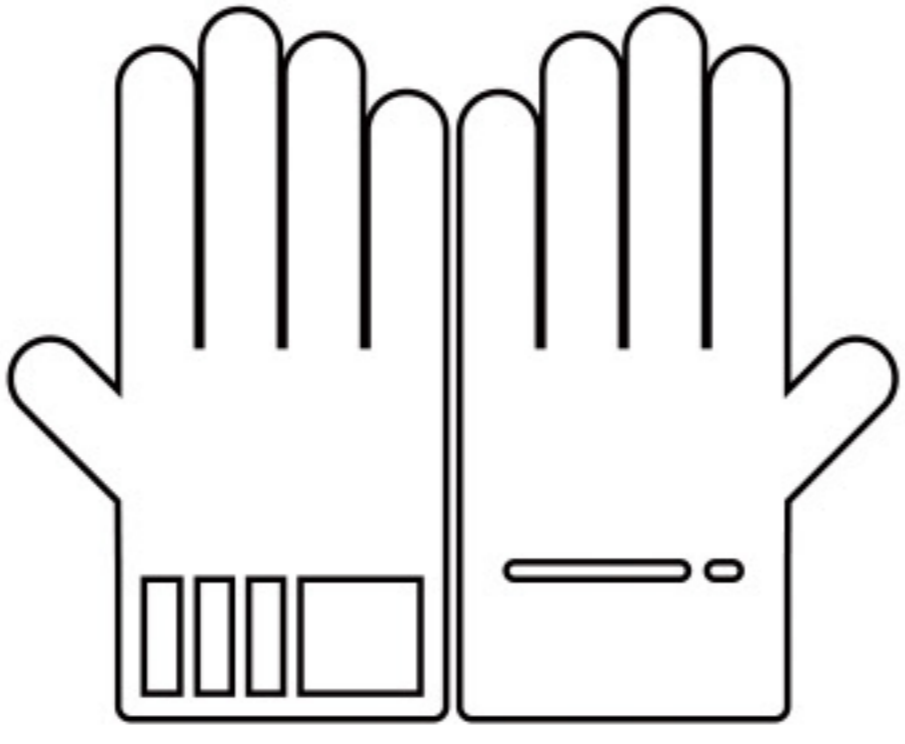
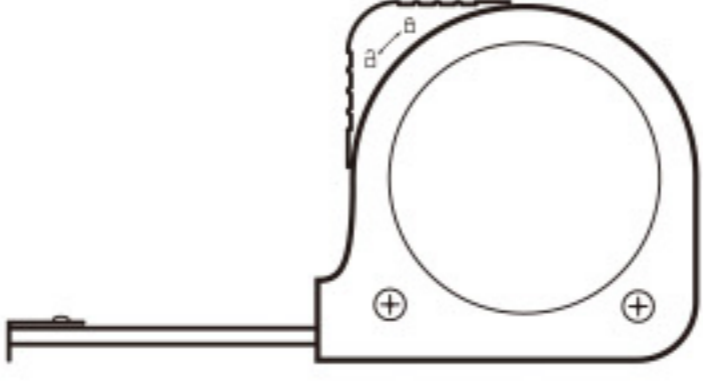

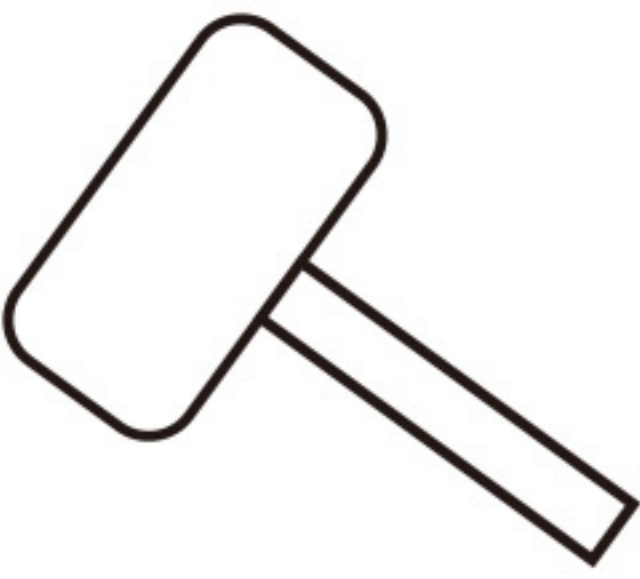

Ø8x40 Gray Expansion
Anchors
(2 pcs)

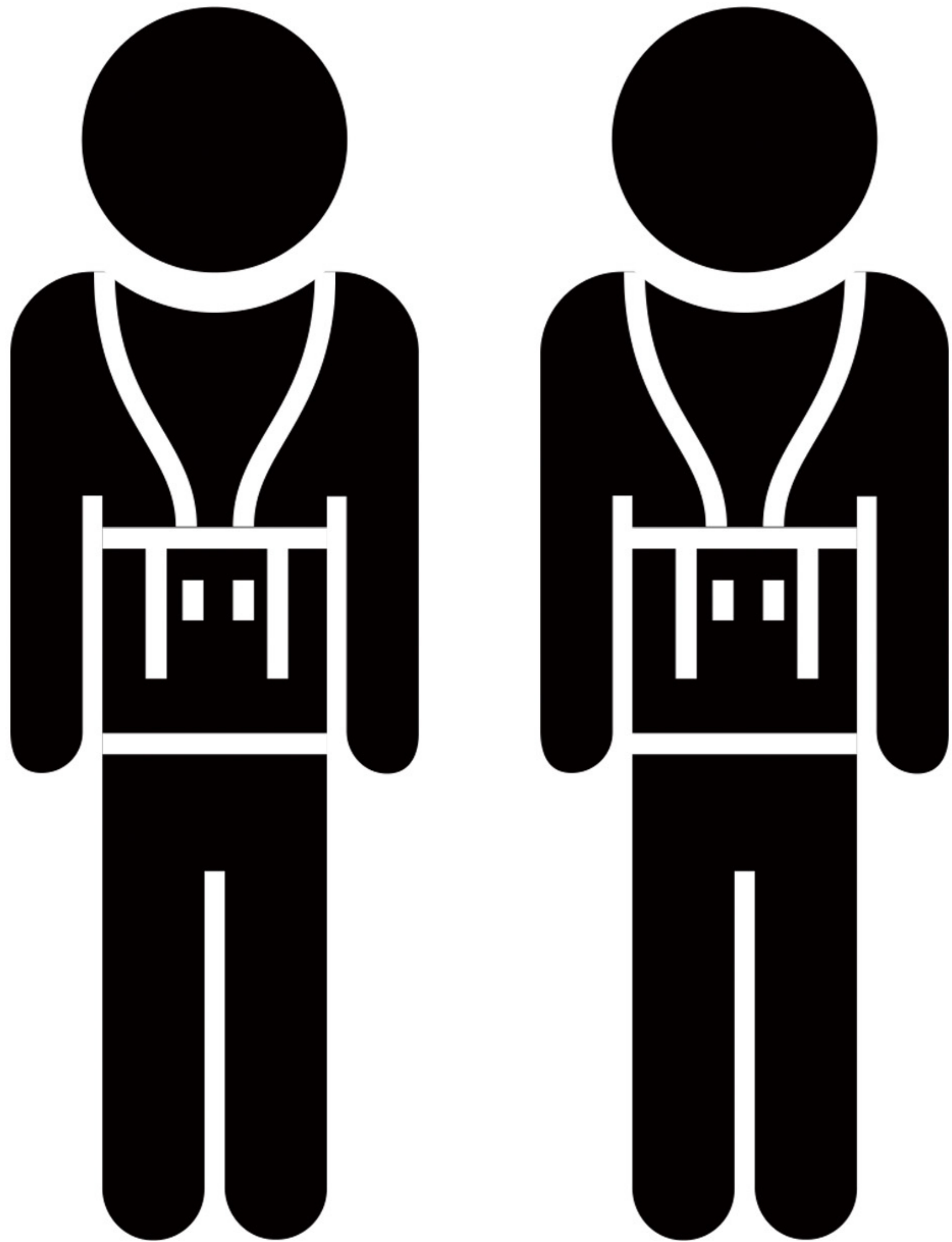


Ø6x30 Gray Expansion
Anchors
(4pcs)

Recommended Tools

*Utilize Safety Glasses and Safety Gloves when installing this shower door

 Silicone	 Drill	 Level	 Screw Driver
 Pencil	 Safety Gloves	 Tape Measure	 Safety Glass
 Rubber Mallet	 Scissor		



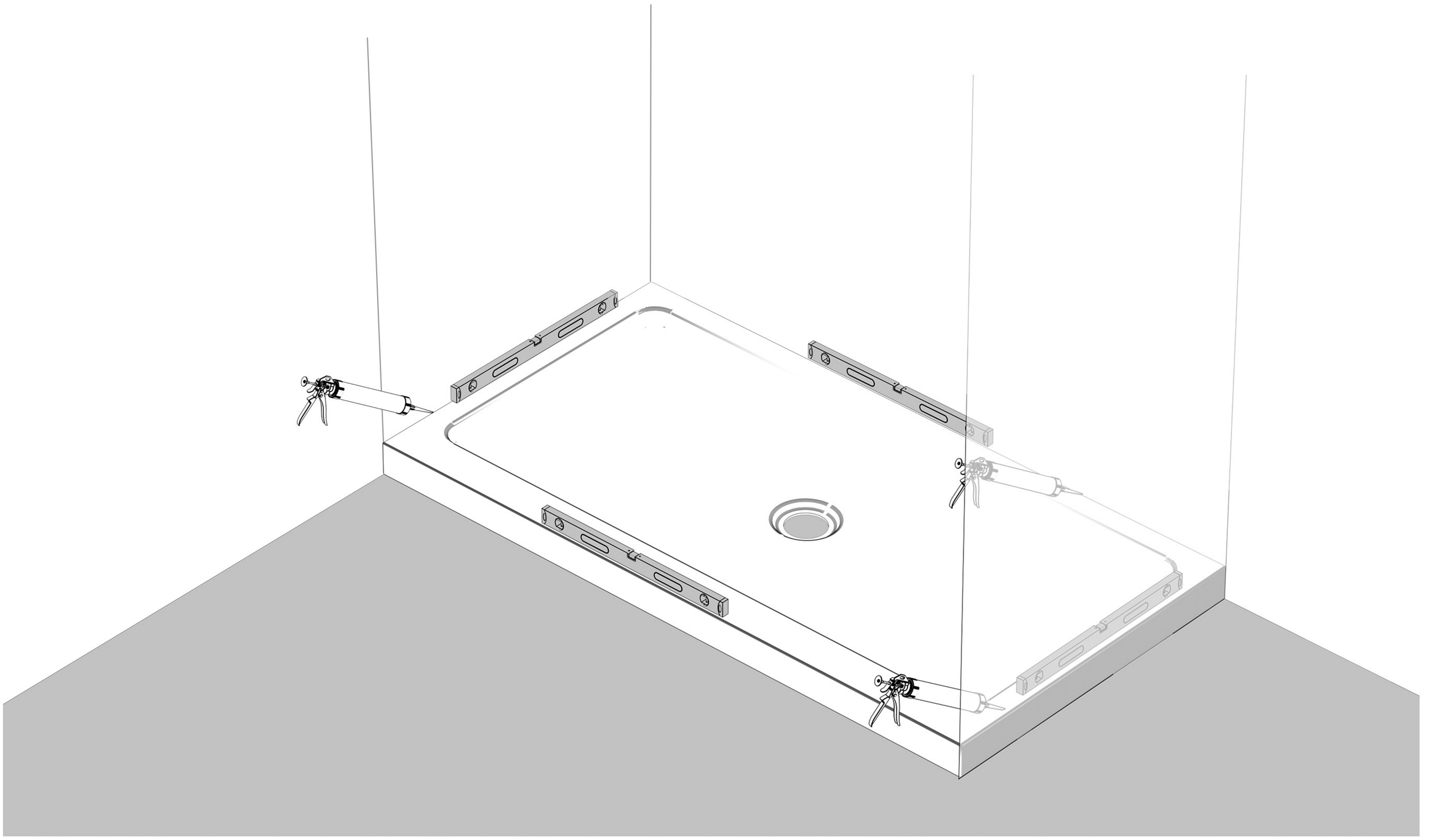
General Information

Please inspect the product immediately upon receipt for transit damage, missing packs/parts or manufacturing fault. Damage reported later cannot be accepted. Please handle the product with care avoiding knocks and shock loading to all sides and edges of the glass.

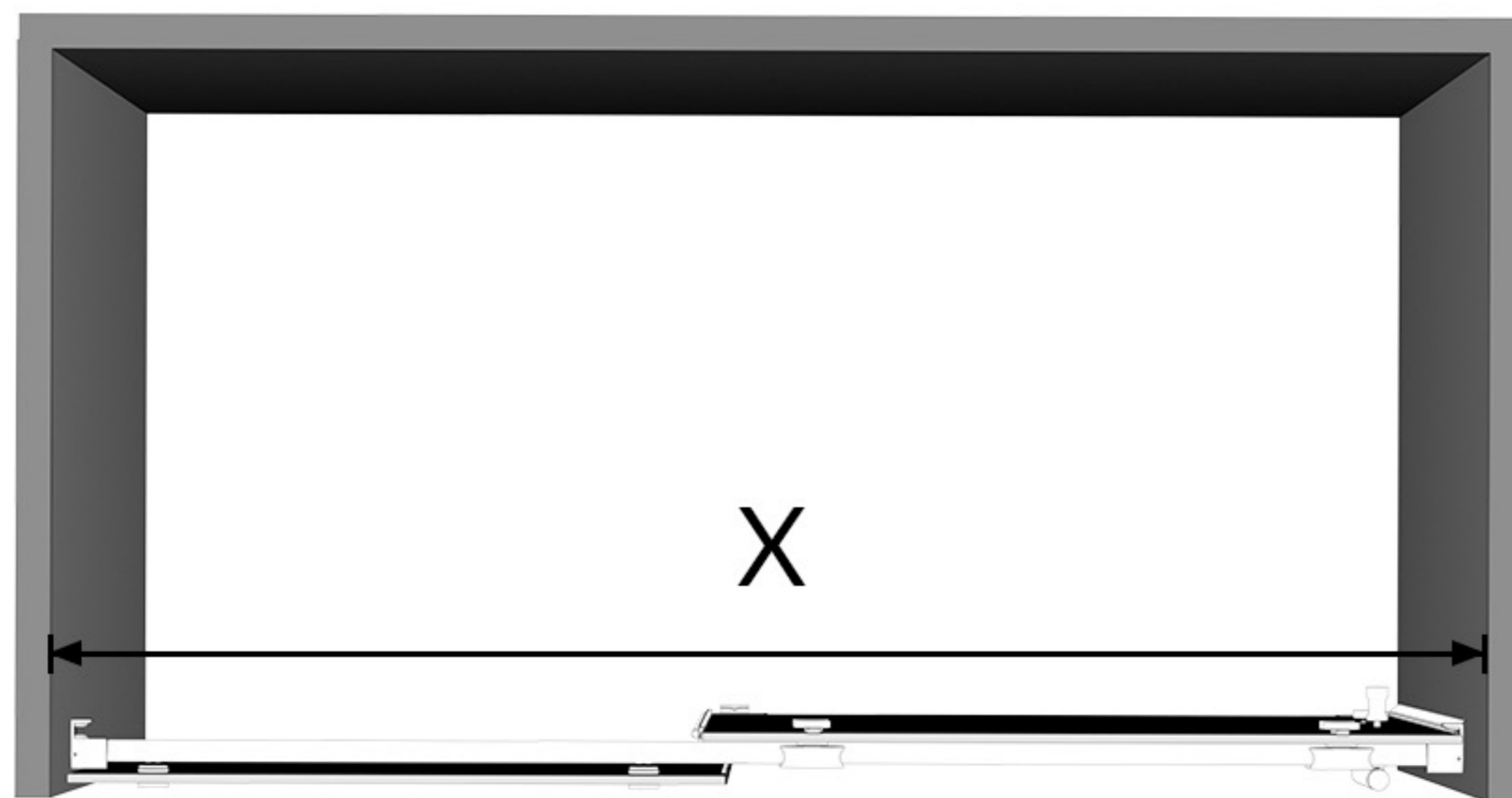
Notes: Safety glass can not be re-worked

After use, your shower should be cleaned with soap and water. This is particularly important in hard water districts where insoluble lime salts may be deposited and allowed to build up. Cleaners of a gritty or abrasive nature should not be used. Care should be taken to avoid contact with strong chemicals such as organic solvents and strippers. Glass cleaners can be used but with caution, if in doubt contact the manufacturer of the cleaner in question. Please keep these instructions for aftercare and customer service details.

- 01 Before installation, please ensure that the shower base is 100% level in all directions and apply silicone sealant to seal it.

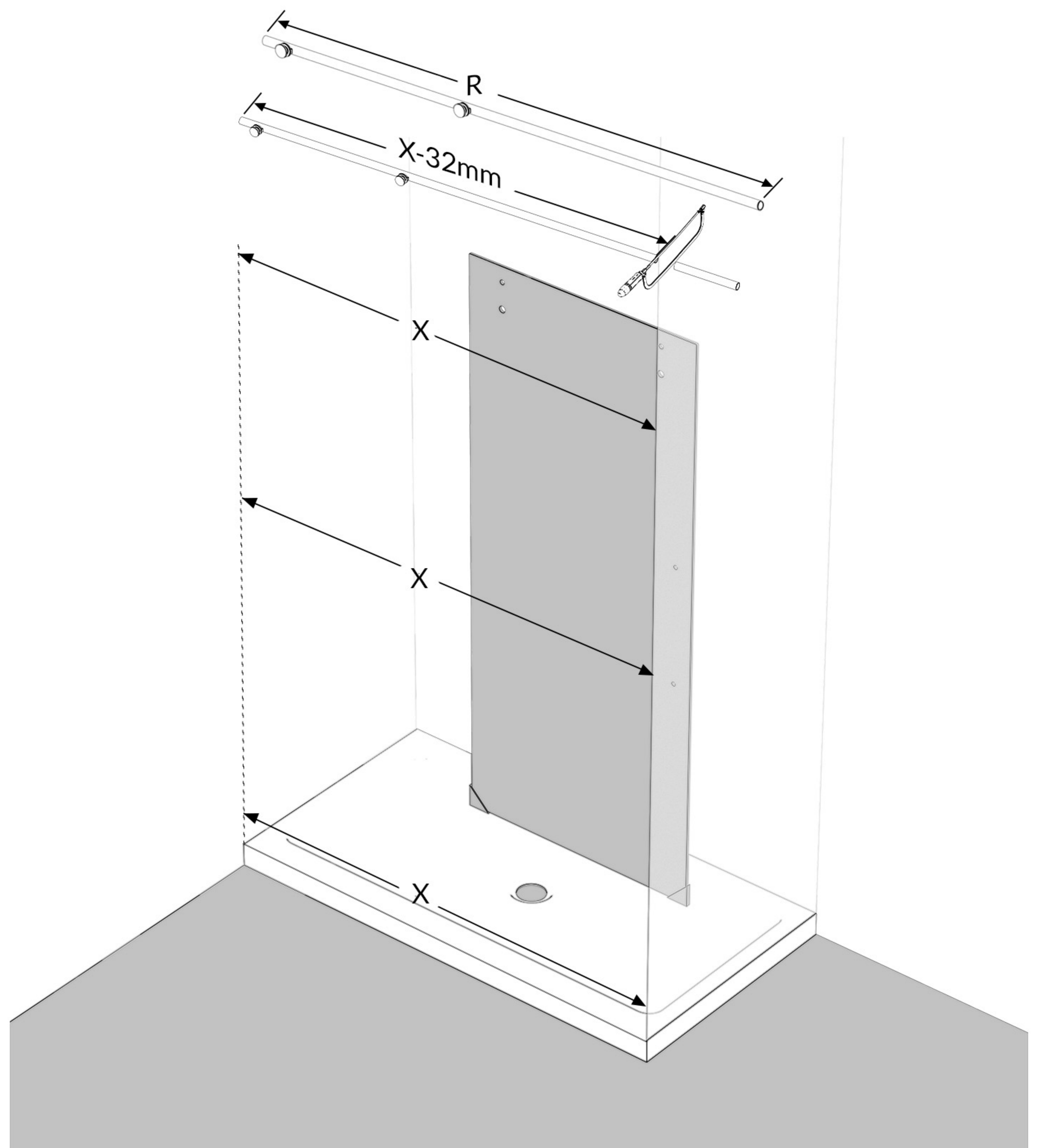


- 02 Measure the door opening dimension "X" to confirm that the purchased product fits the installation space properly. As illustrated, ensure the crossbar is cut in the correct direction for precise fitting.

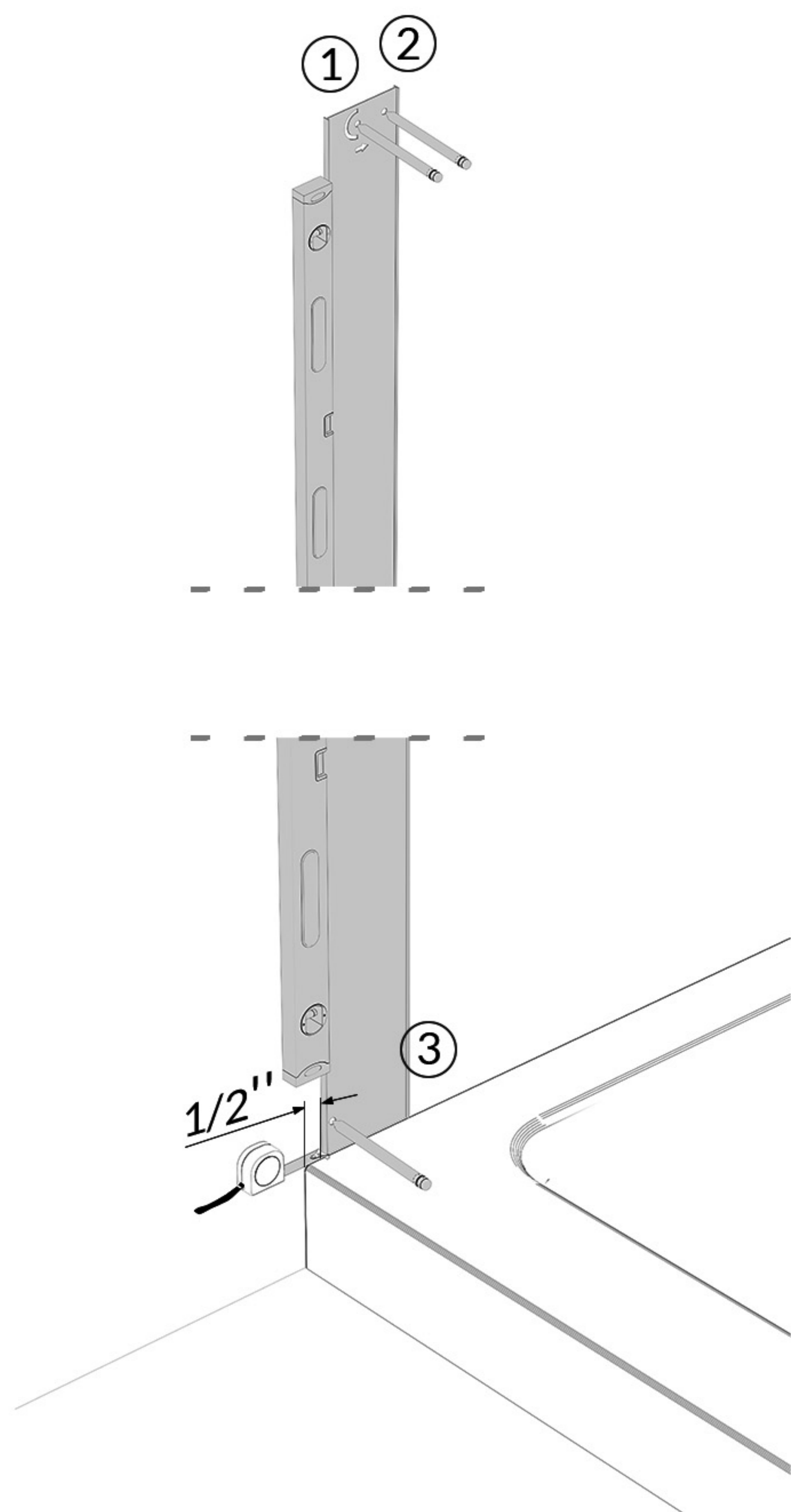


Measure X to make sure it is within the adjustment range!
($R - X - 32\text{mm} = \text{Cut Length}$)

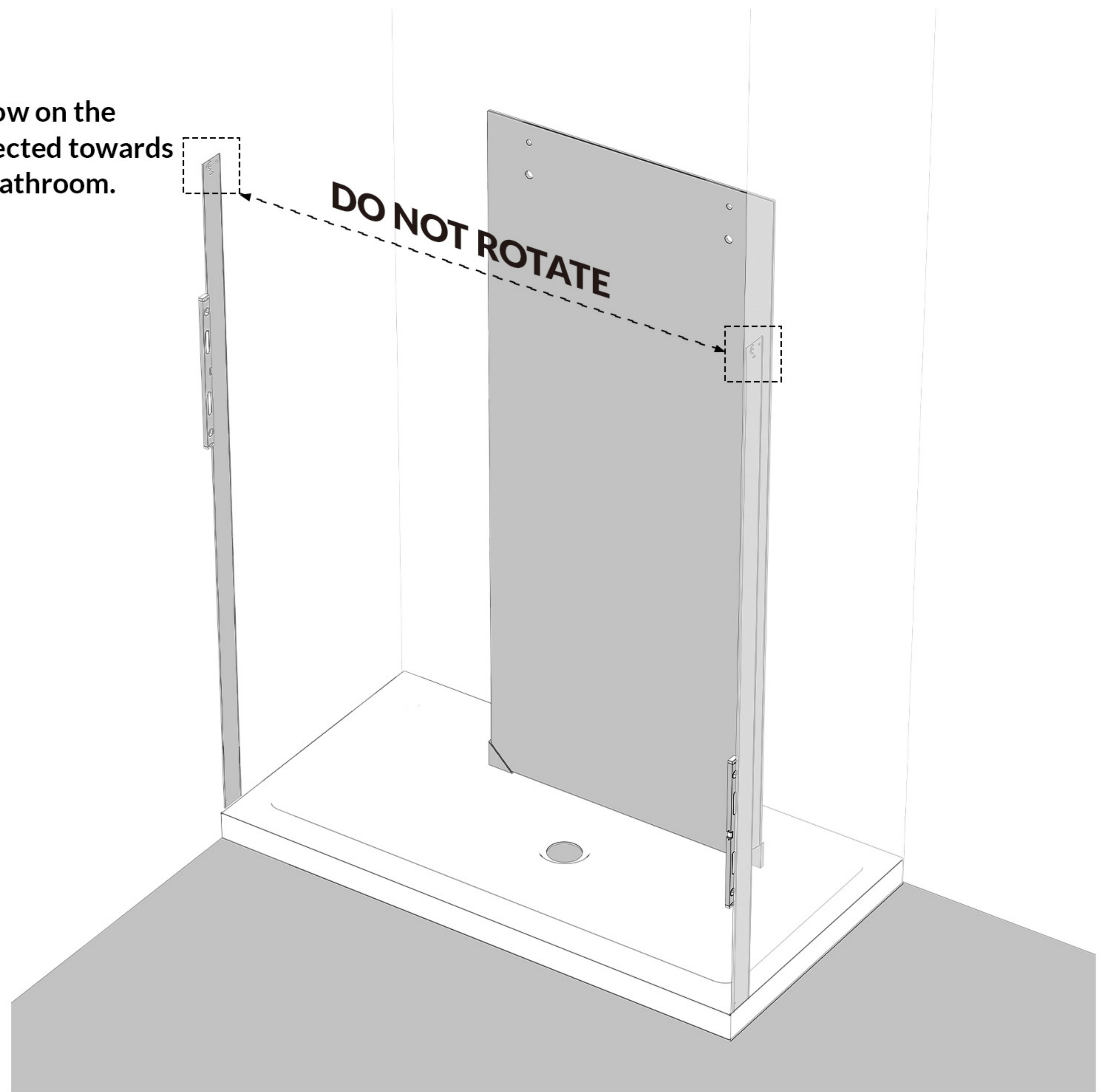
Size	X
48" (1219mm)	44"-48" (1118mm-1219mm)
54" (1372mm)	50"-54" (1270mm-1372mm)
60" (1524mm)	56"-60" (1422mm-1524mm)
66" (1676mm)	62"-66" (1575mm-1676mm)
72" (1829mm)	68"-72" (1727mm-1829mm)



03 As shown in the diagram, position the alignment aid close to the wall, **ensuring it is perfectly vertical and horizontal**. Mark the hole positions and drill accordingly. Then, slide it directly towards the opposite wall without changing the alignment aid's orientation. Mark the hole positions on the other side and drill. Ensure the distance between the alignment aids on both sides and the edge of the shower base is equal (**recommended distance: 1/2"**).

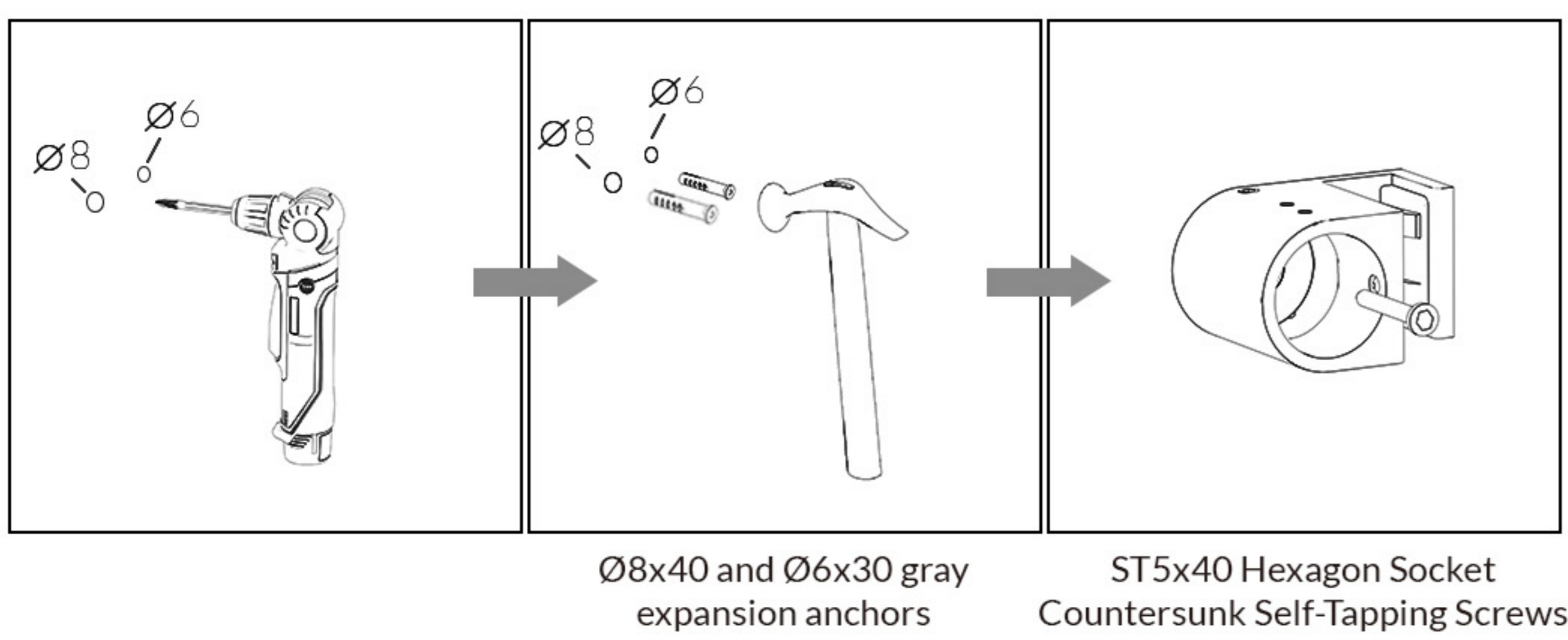


Ensure that the arrow on the alignment aid is directed towards the interior of the bathroom.

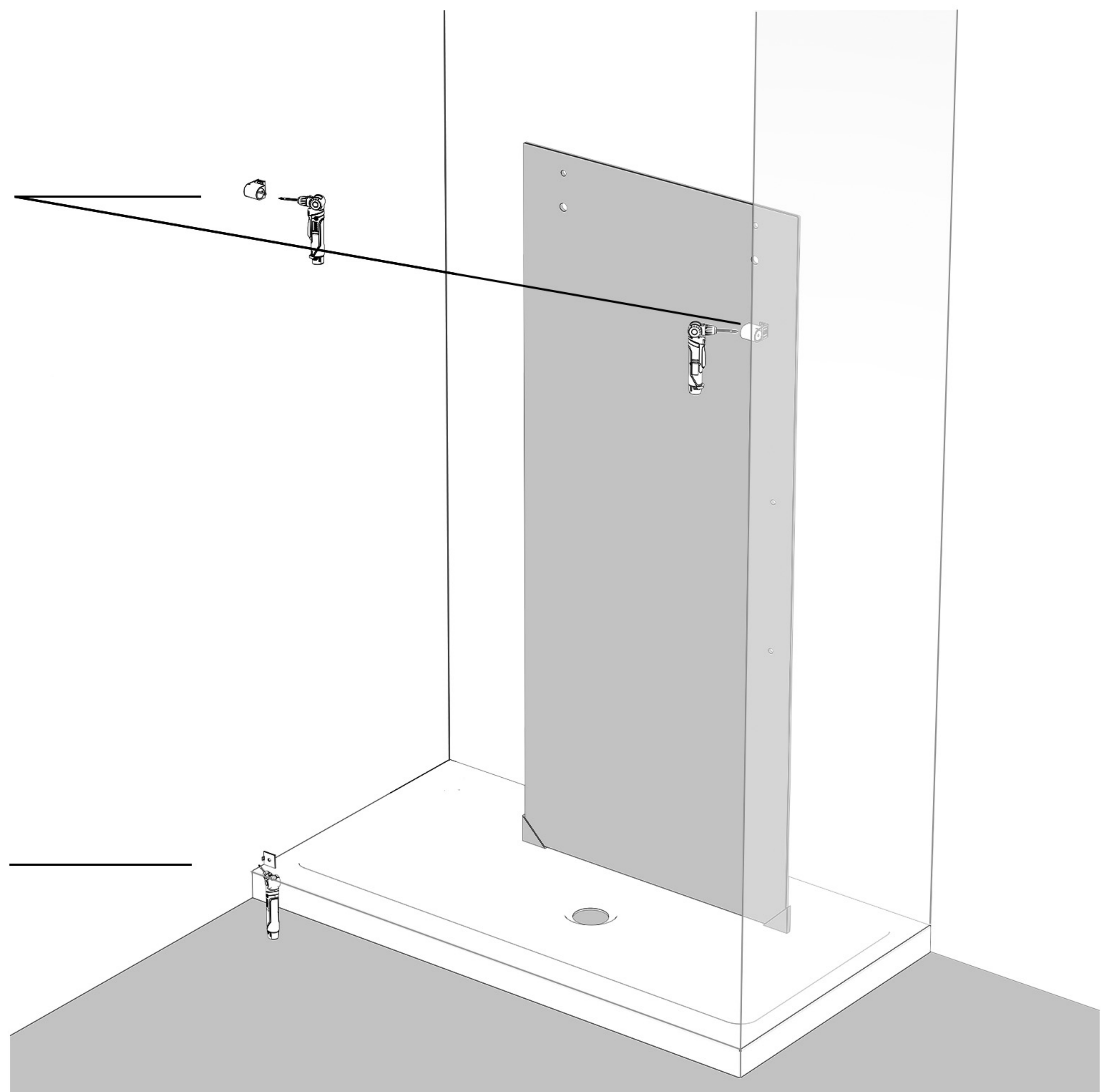
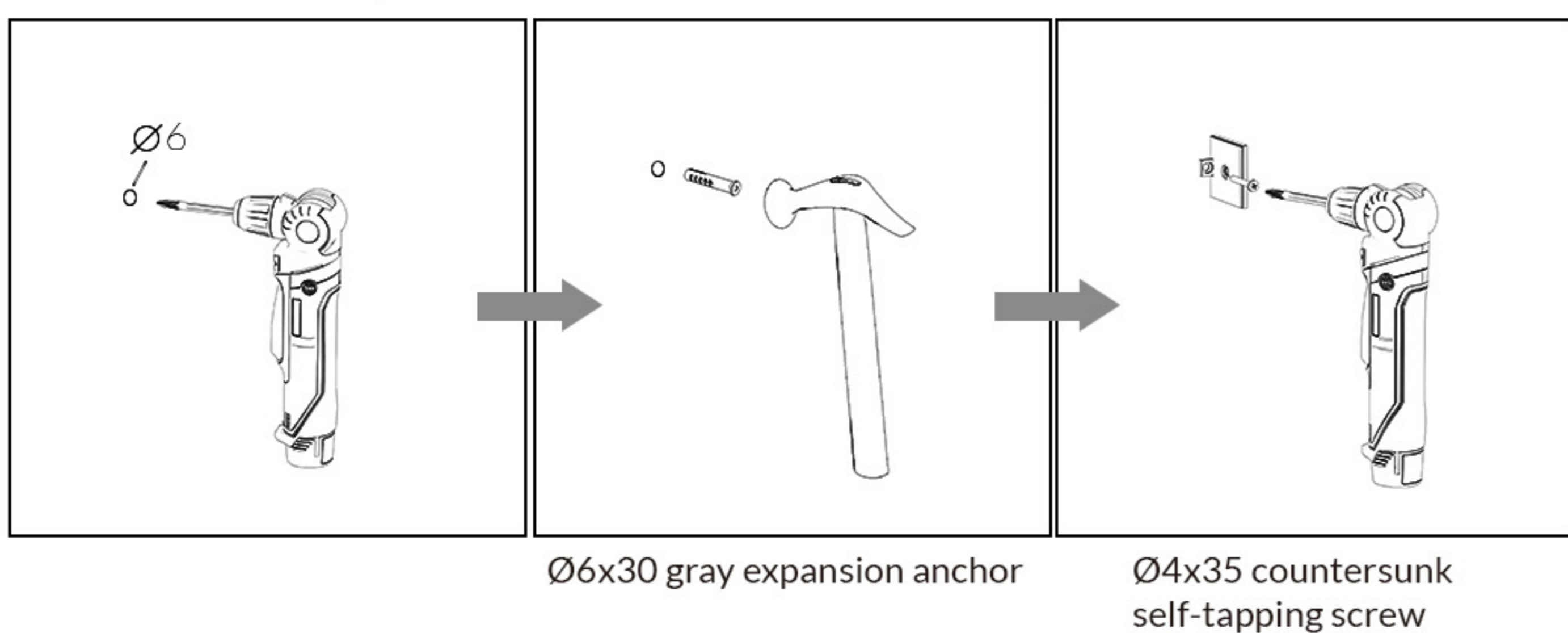


04 Insert the expansion anchors into the pre-drilled holes in the wall. Secure the wall brackets on both sides using the provided screws. **Ensure the correct orientation of the wall brackets and use the appropriate expansion anchors.**

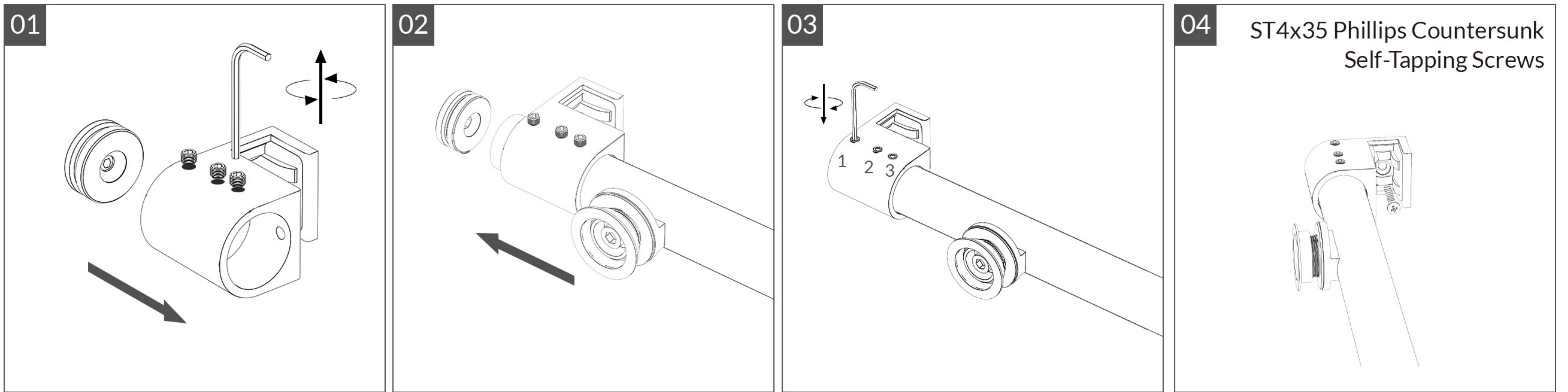
Wall Bracket Installation



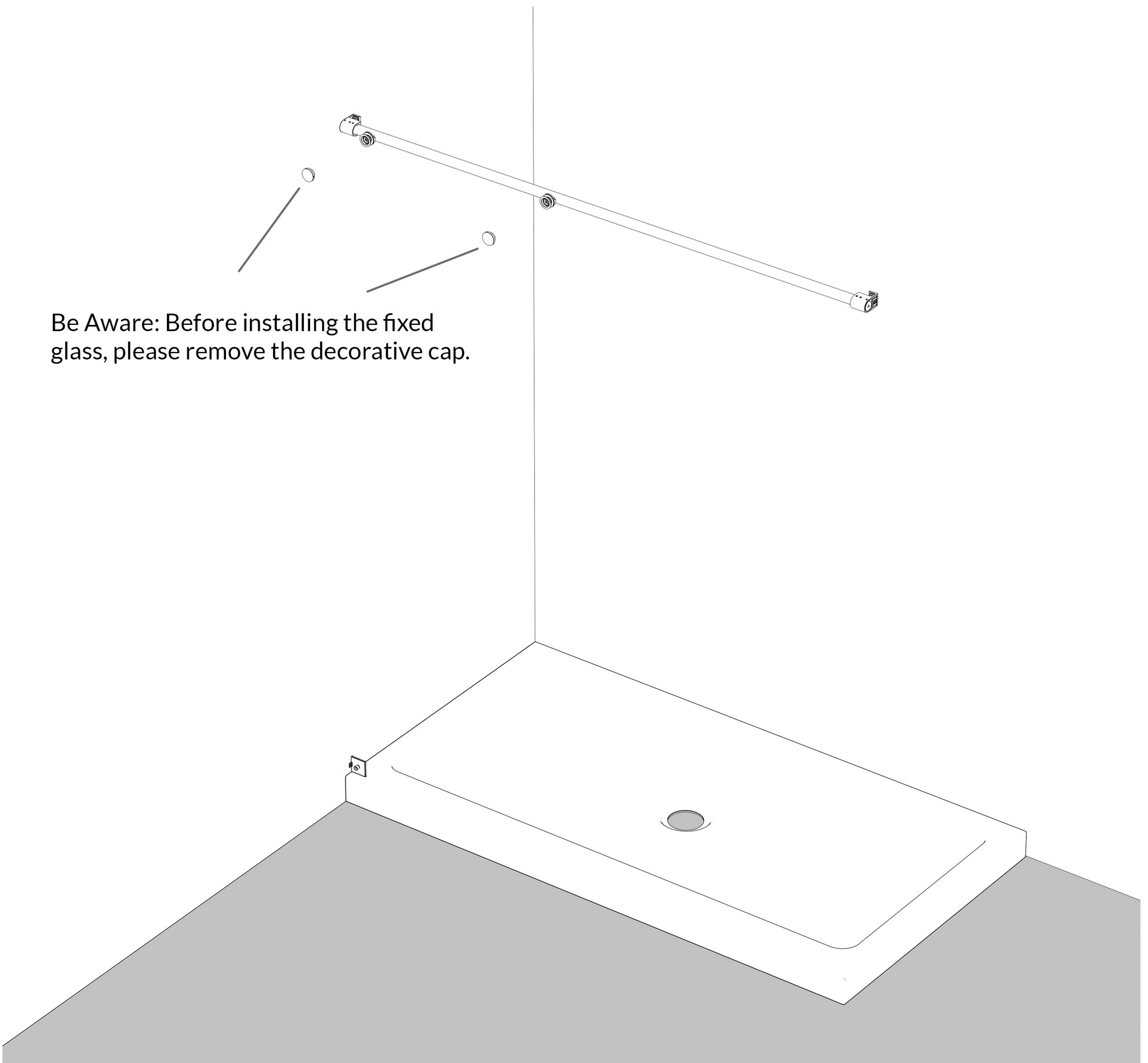
Glass Clamp Installation



- 05 Unscrew the wall brackets, leaving the bracket inserts attached to the wall. Loosen the screws on top, slide the wall brackets into the guide rail at both ends, then **horizontally** slot the top guide rail into the previously installed inserts. Push both wall brackets towards the wall and secure them tightly.
Be Aware: Avoid scratching the guide rail during the installation process.



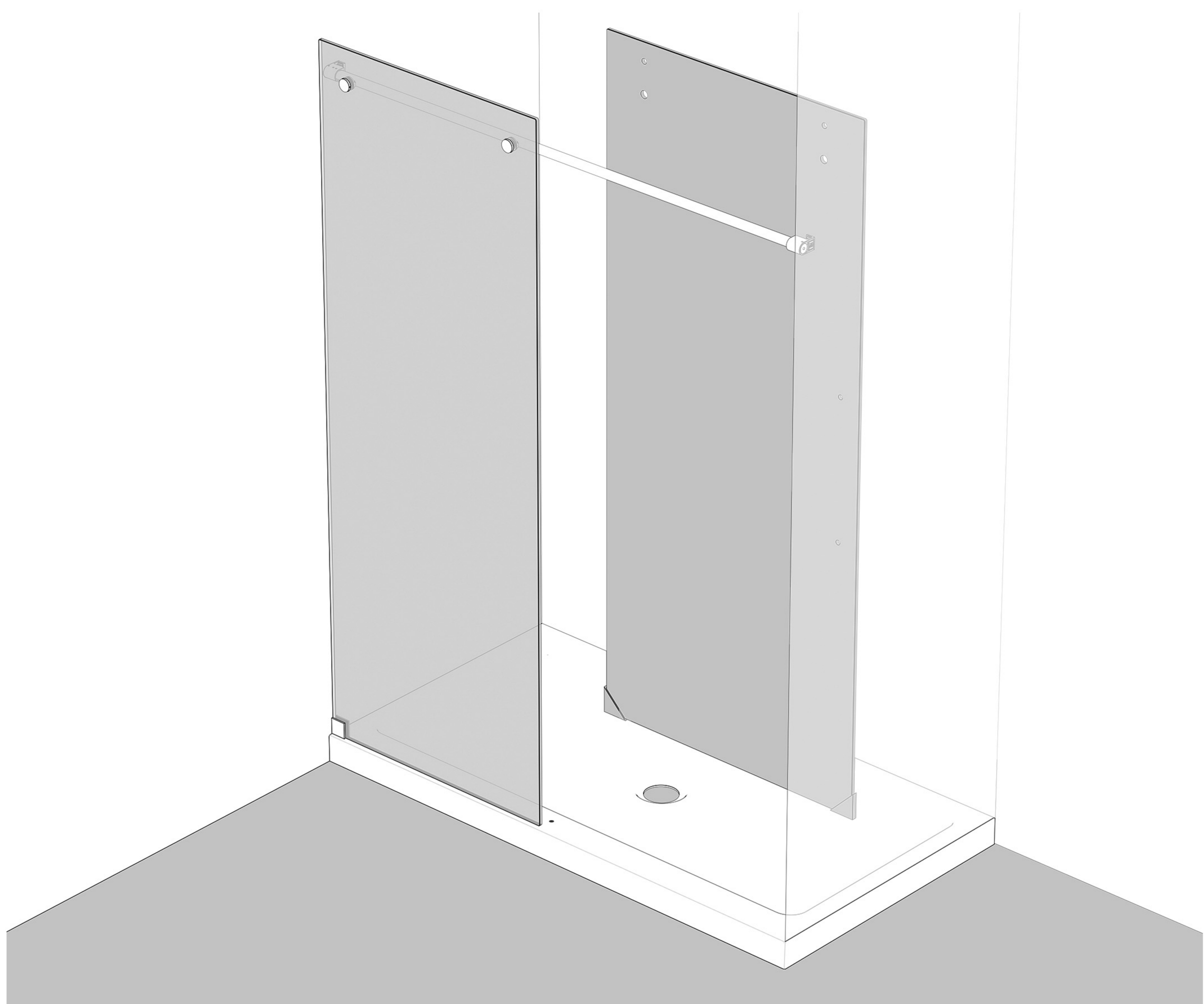
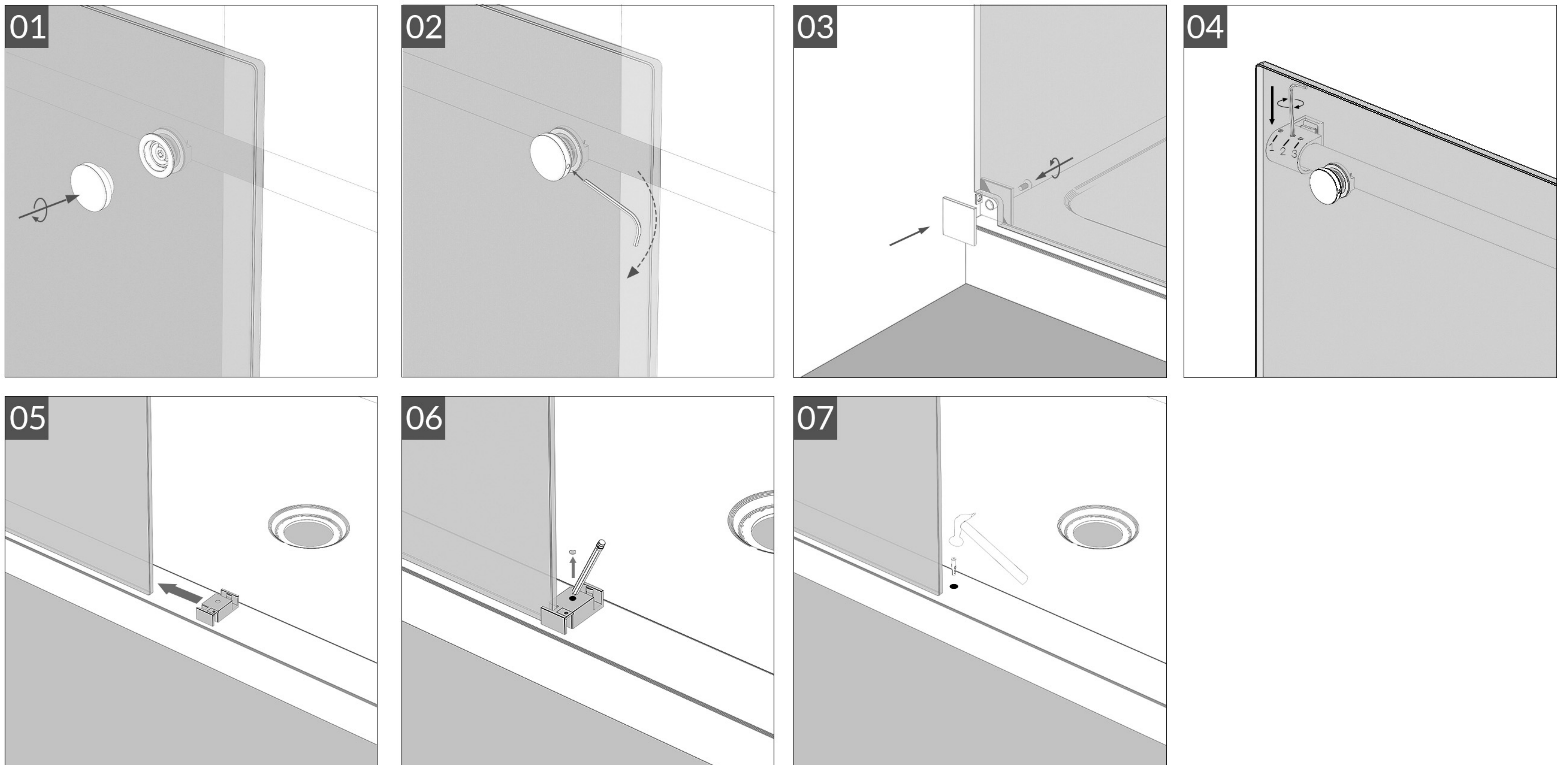
Be Aware: Before installing the fixed glass, please remove the decorative cap.



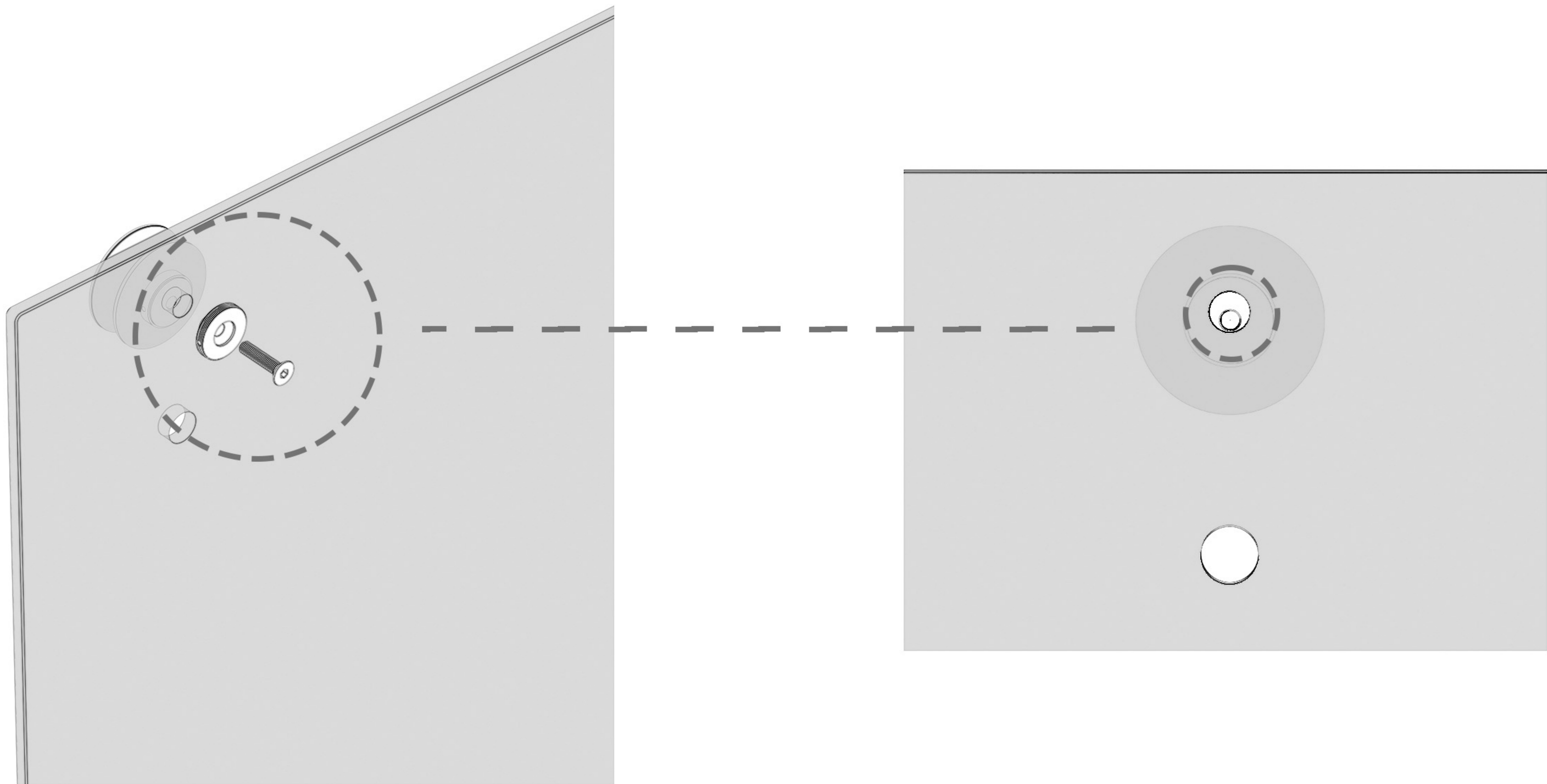
- 06 Disassemble the wall clamp and secure one end to the previously marked hole. Insert the fixed glass into the corresponding positions of the crossbar and wall clamp. Once the fixed glass is properly aligned, fasten the glass holder with screws and cover it with the cap. Finally, install the wall clamp on the opposite side.

After completing the installation of the fixed glass, secure the wall brackets and crossbar using the provided screws. Slide the door guide into position against the fixed glass, mark the hole positions, drill, and then remove the door guide.

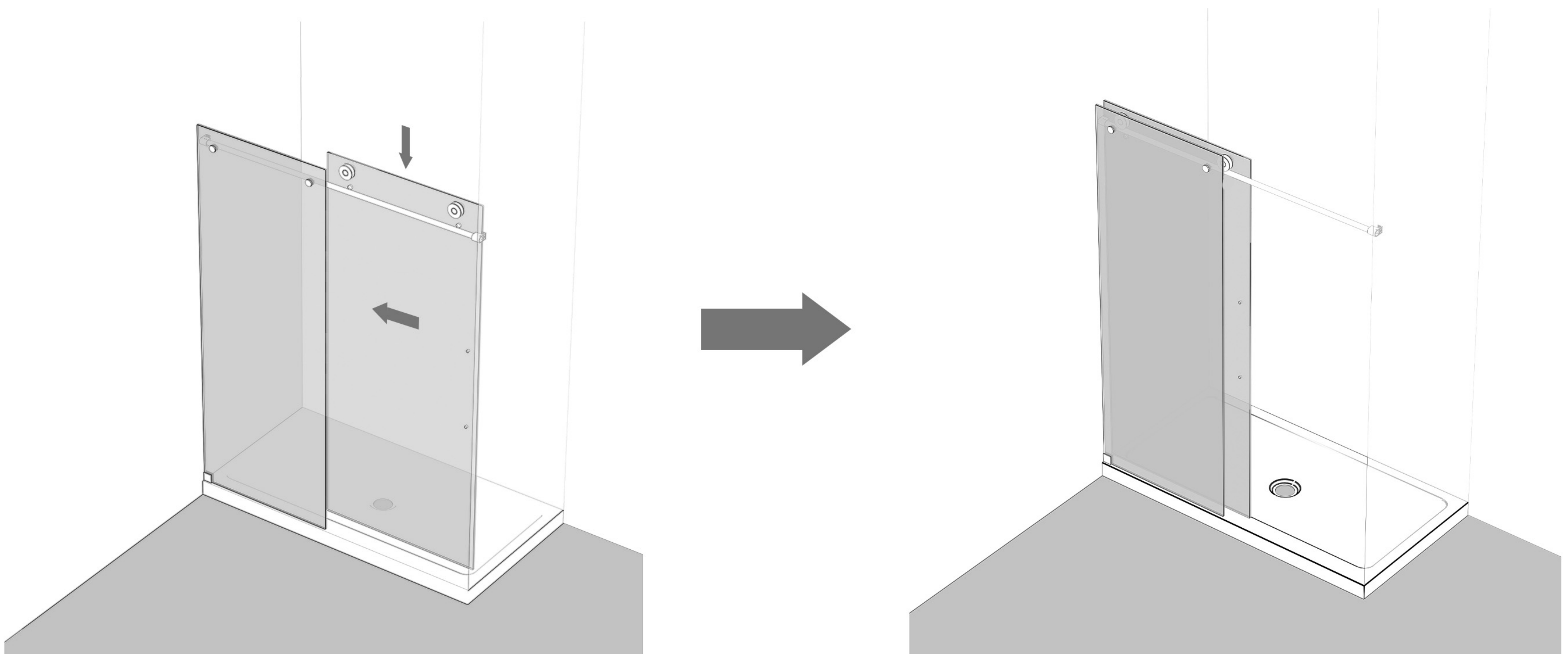
Be aware: Remove the protective cover from the edges of the glass before installation.



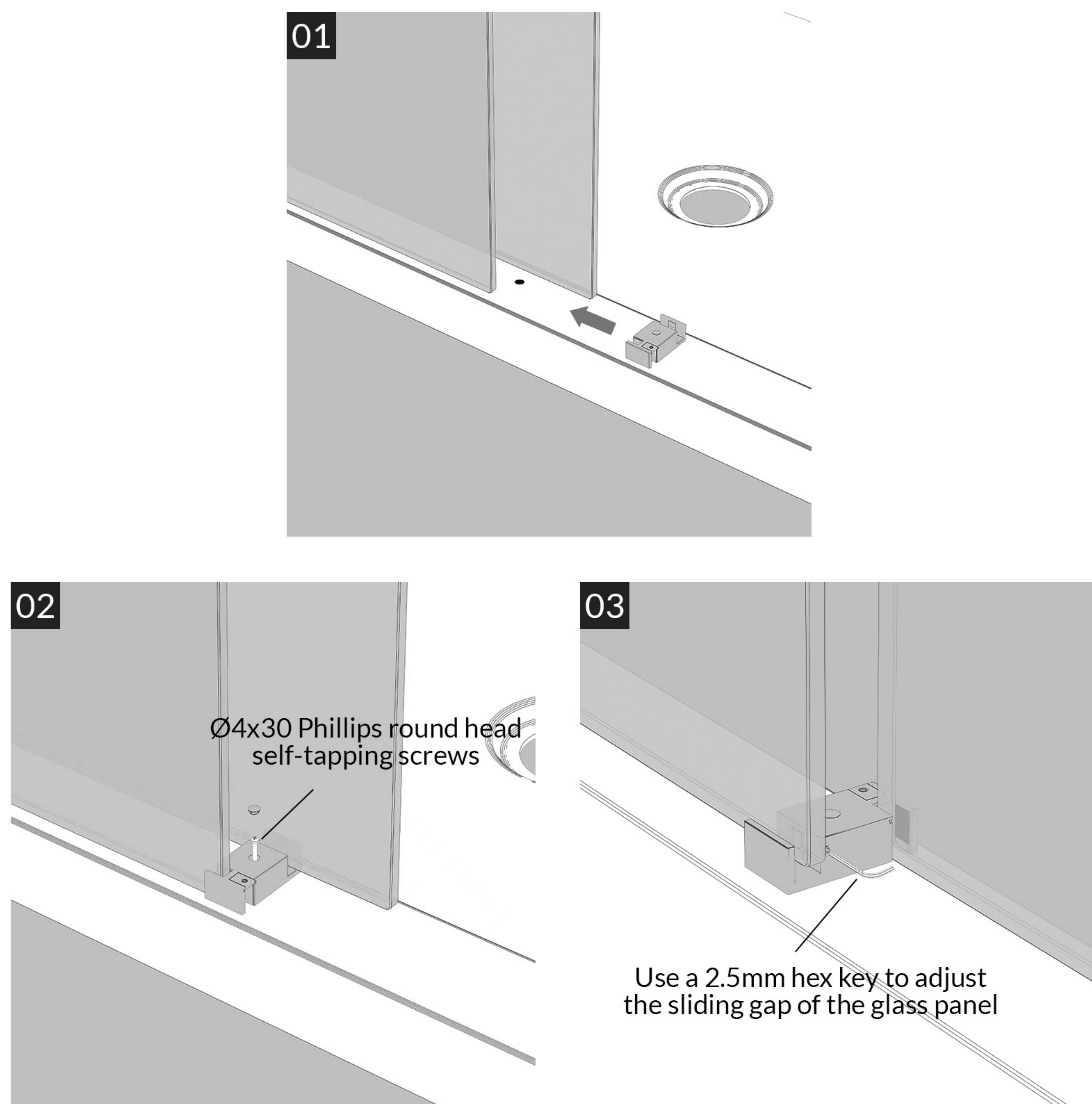
- 07 Install the top rollers onto the movable glass panel, ensuring that the direction of the wheel clips on both sides is aligned. Install the rear cover of the roller last.



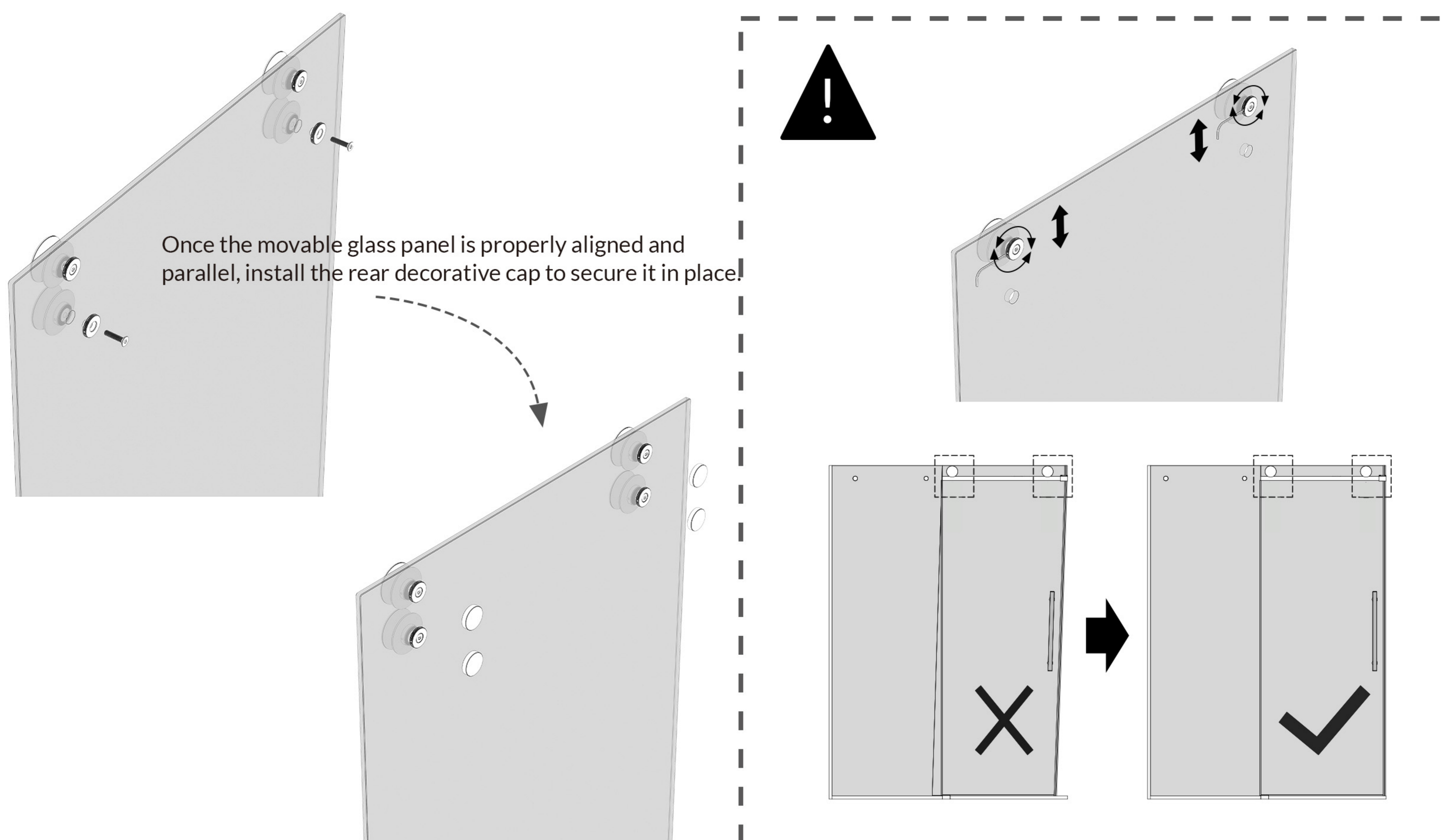
- 08 Place the movable glass panel, with the top rollers installed, onto the crossbar, and slide it towards the fixed glass panel for proper alignment.



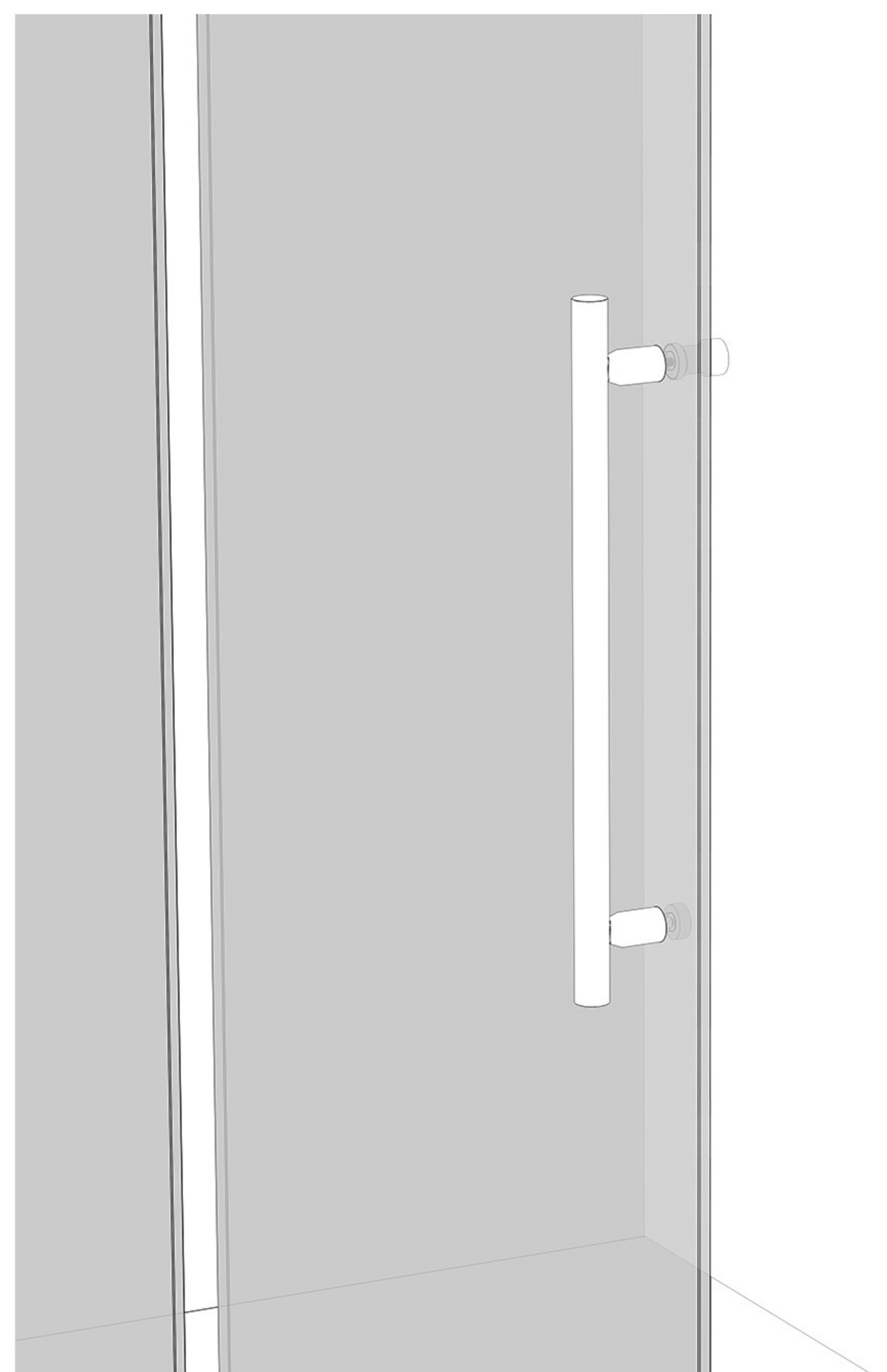
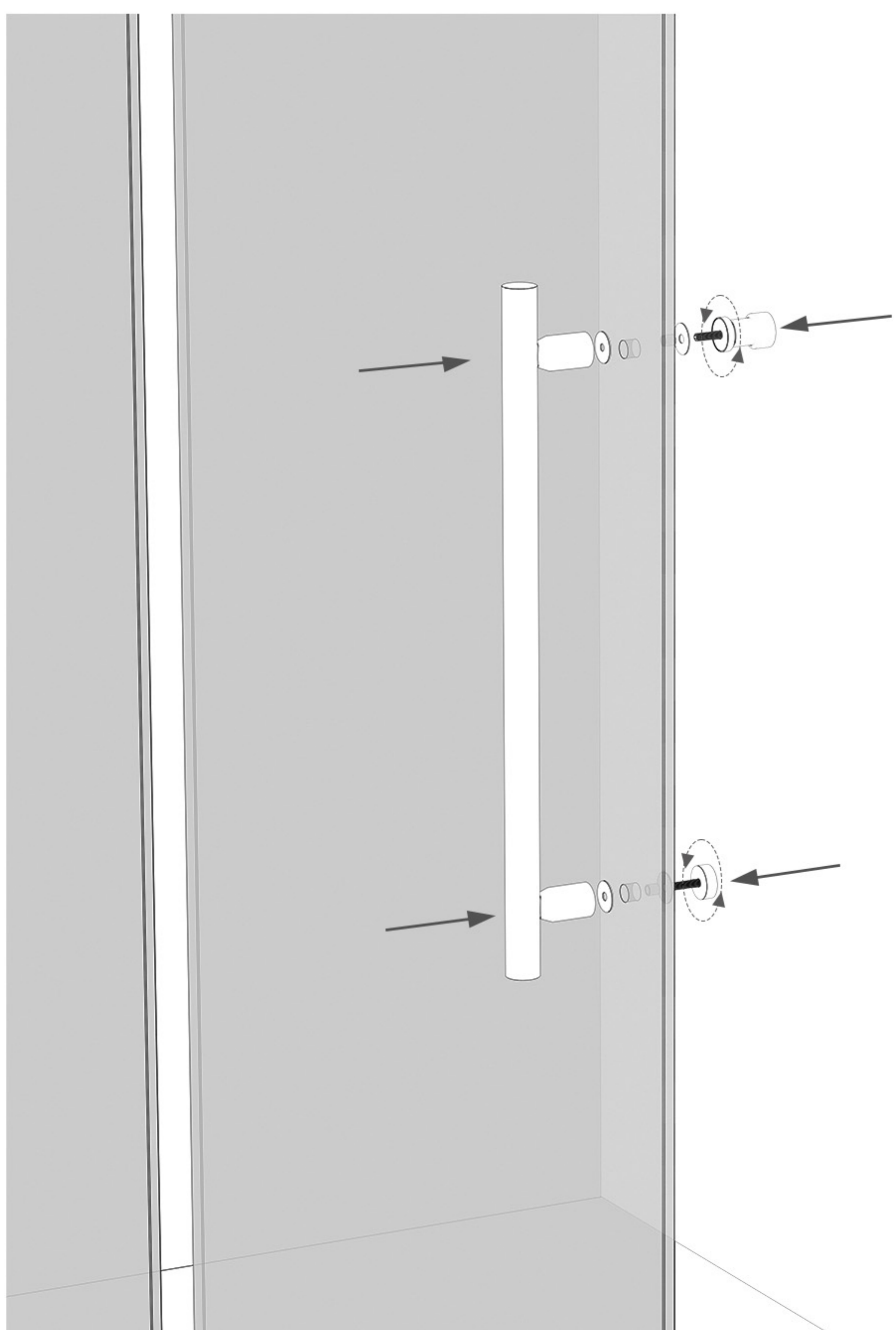
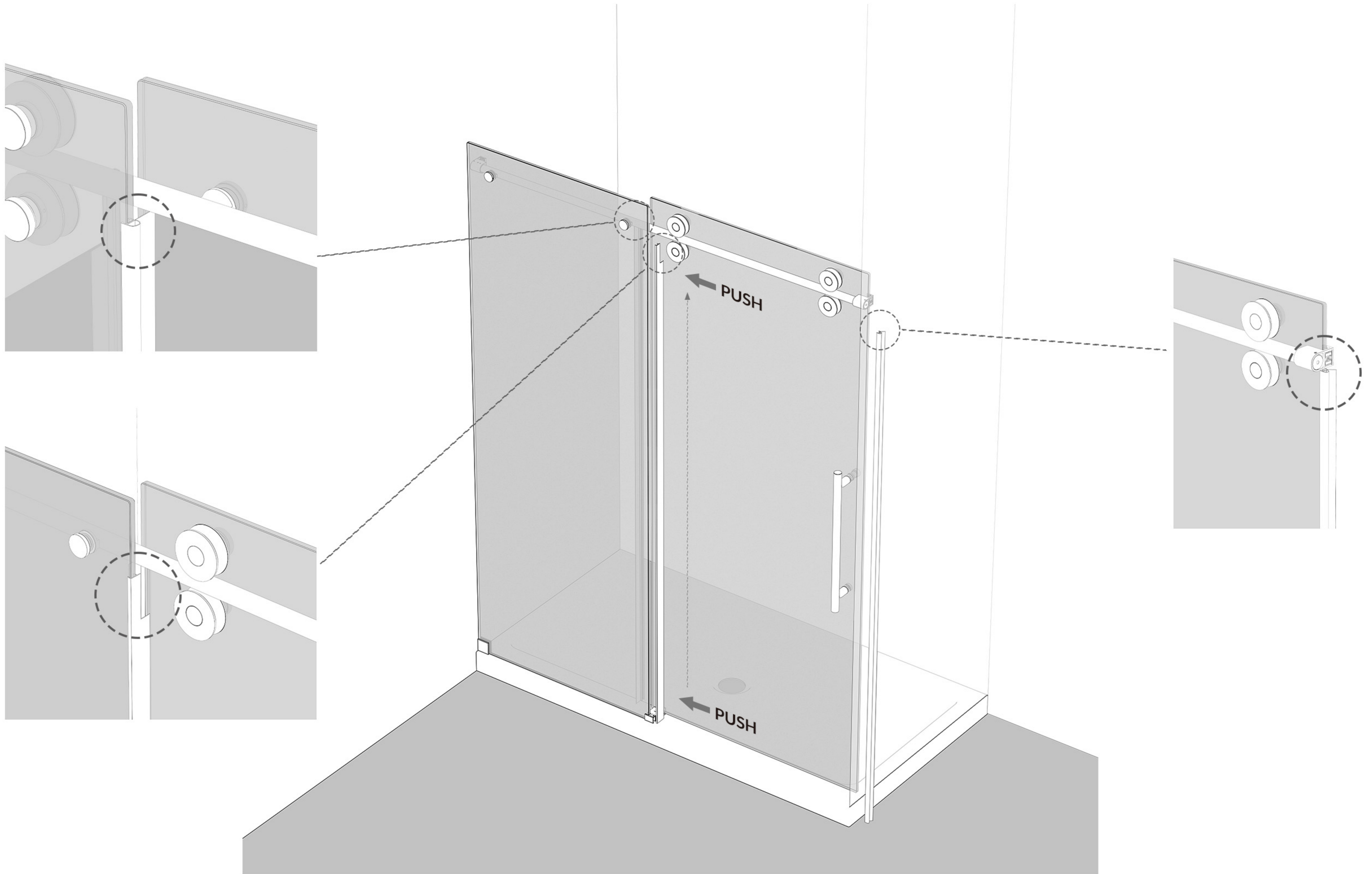
- 09 Slide the door guide into position between the two glass panels and secure it with $\text{\O}4 \times 30$ Phillips round head self-tapping screws.



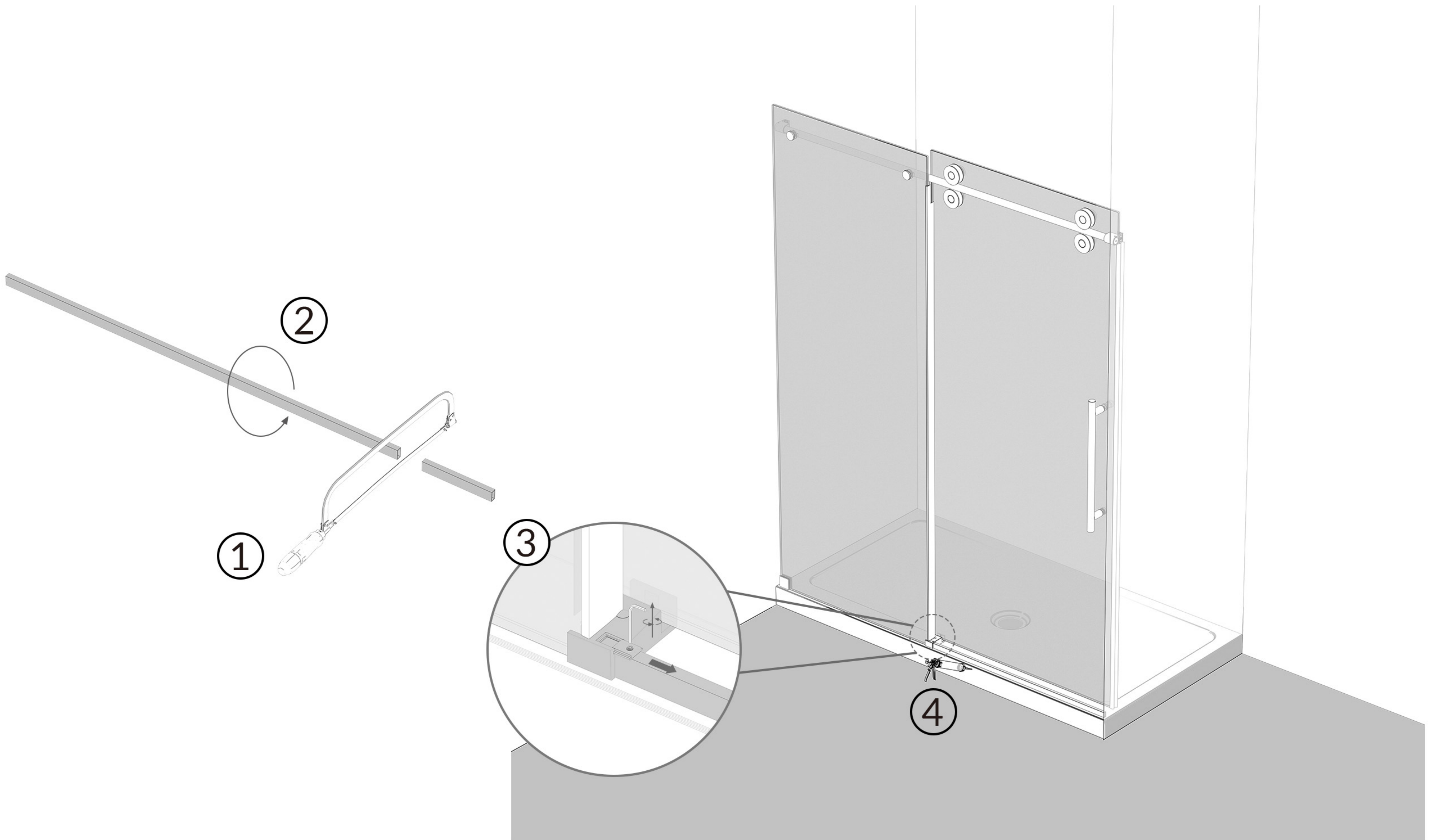
- 10 Install the bottom rollers onto the movable glass panel. If the movable glass panel is not parallel to the wall or if the wall is slightly tilted, follow the steps below to adjust the rollers for proper alignment.



- 11 Install the center water barrier strip starting from the bottom upwards, followed by the installation of the movable door handle. When installing the fixed glass sealing strip, trim it to the appropriate length to ensure smooth operation of the movable glass panel.



- 12 Use a 2.0mm hex key to loosen the screws, slide the decorative cap out, then insert the bottom threshold. After completing the installation, slide the decoration cap into place and tighten the screws to secure the bottom threshold.
(Before installation, if the bottom threshold is too long, cut it to the appropriate length)



- 13 After installation is complete, remove any debris and use a soft cloth to wipe away water stains and clean any remaining dirt. Then, apply silicone sealant along the dashed line as indicated in the diagram.
Caution: After applying the silicone sealant, allow it to dry for 24 hours before using the shower door.

