






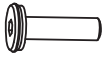



WARNING

Do not attempt to assemble the chair before making clear Leg (B) for back leg of chair and Leg(C) for front leg of chair.

Do not try to seat or use before confirm all the screws are tightened completely.



ASSEMBLY INSTRUCTIONS

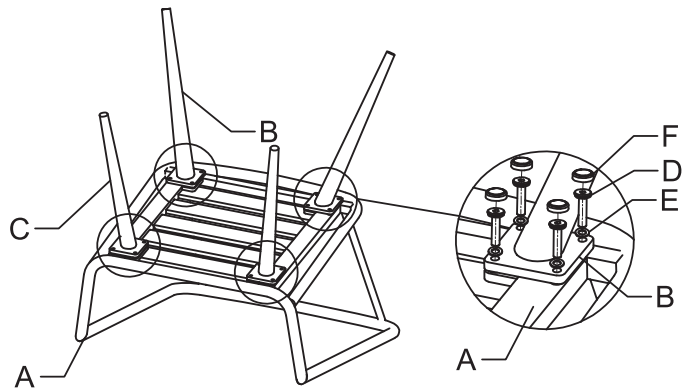
| | | |
|---|---|----|
| A |  | 1 |
| B |  | 2 |
| C |  | 2 |
| D |  M6*20 | 16 |
| E |  | 16 |
| F |  | 16 |
| G |  | 1 |

①

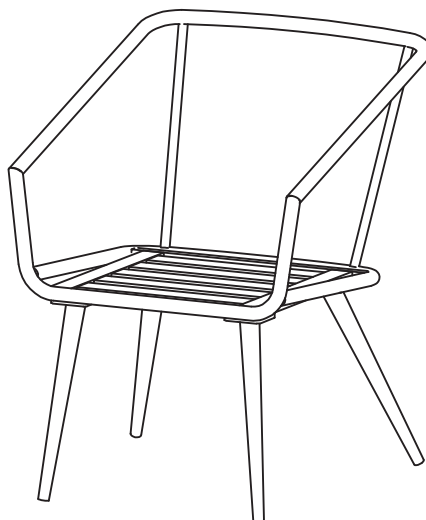
Firstly make clear leg (B) and leg (C) before trying to assemble; Leg(C) is short for front leg of chair, Leg(B) is longer for back leg of chair .



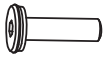



Then align the leg(B) and leg (C) with seat (A) Secure Bolt (D) and Washer(E) to connect Leg(B) and Seat (A) Secure Bolt (D) and Washer(E) to connect Leg(C) and Seat (A)

Some adjustments may be necessary to ensure the legs are aligned properly.



② Pls secure screw all the bolts are tightened completely, four for each leg, totally 16pcs bolts, if you find the bolts can not be screwd tightly ,pls return the chair.



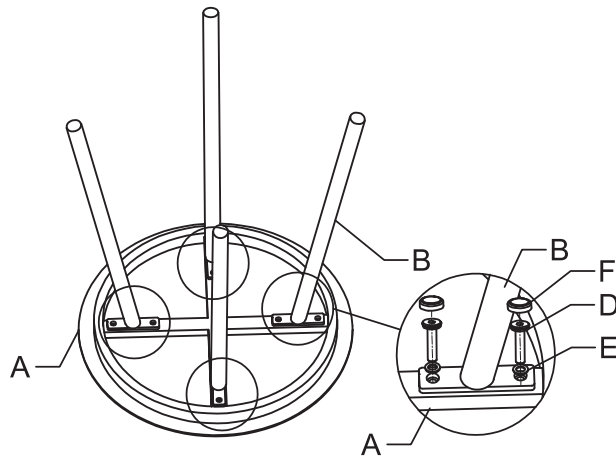
| | | |
|---|---|---|
| A |  | 1 |
| B |  | 4 |
| D |  M6*20 | 8 |
| E |  | 8 |
| F |  | 8 |
| G |  | 1 |

①

Place Table Top(A) upside down on a non-abrasive surface to avoid scratching the top.

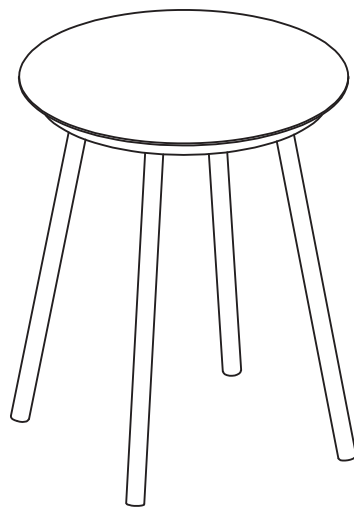
Secure Bolt (D) and Washer(E) to connect Leg(b)and table top (A)

Some adjustments may be necessary to ensure the legs are aligned properly.



②

Pls secure screw all the bolts are tightened completely, four for each leg, totally 18pcs bolts, if you find the bolts can not be screwd tightly ,pls return the table.



Need some help?

CARE INSTRUCTIONS

Outdoor furniture naturally weathers and shows color variation over time. We recommend the following care for the best results:

- Wipe with a soft cloth.
 - Wash with mild soap and water as needed; do not use abrasive cleaners.
 - Cover furniture with an outdoor cover (not included) when not in use.
 - Store in a dry, covered area during inclement weather or winter season.
-



After assembly is completed, save these instructions and any included tools for future maintenance or re-assembly.

Enjoy.
