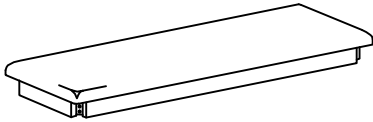


ASSEMBLY INSTRUCTIONS

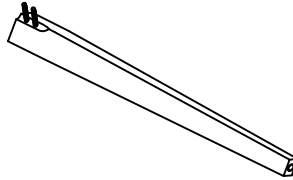
47"W BENCH

A Bench Top



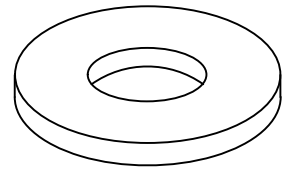
1 pc

B Bench Leg



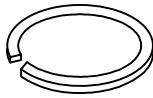
4 pcs

C Flat Washer
Ø5/16" x 3/4"



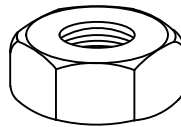
8 pcs

D Lock Washer
Ø5/16" x 9/16"



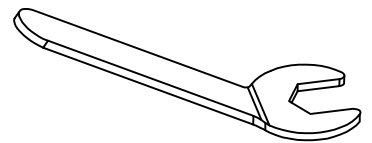
8 pcs

E Hex Nut
Ø5/16" x 1/2"

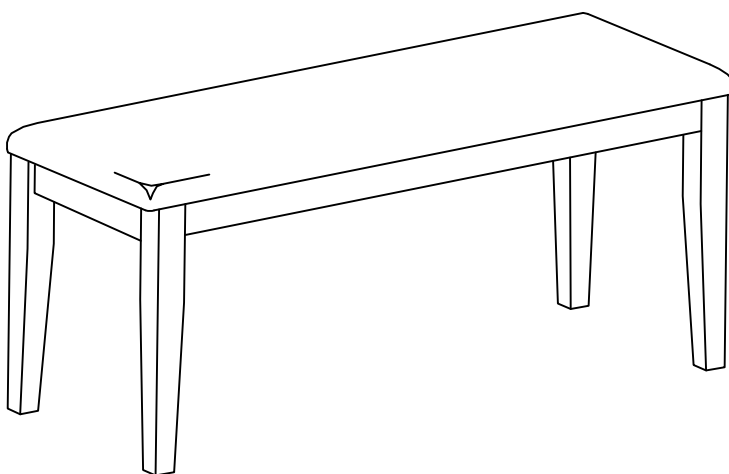


8 pcs

F Wrench
1/2"

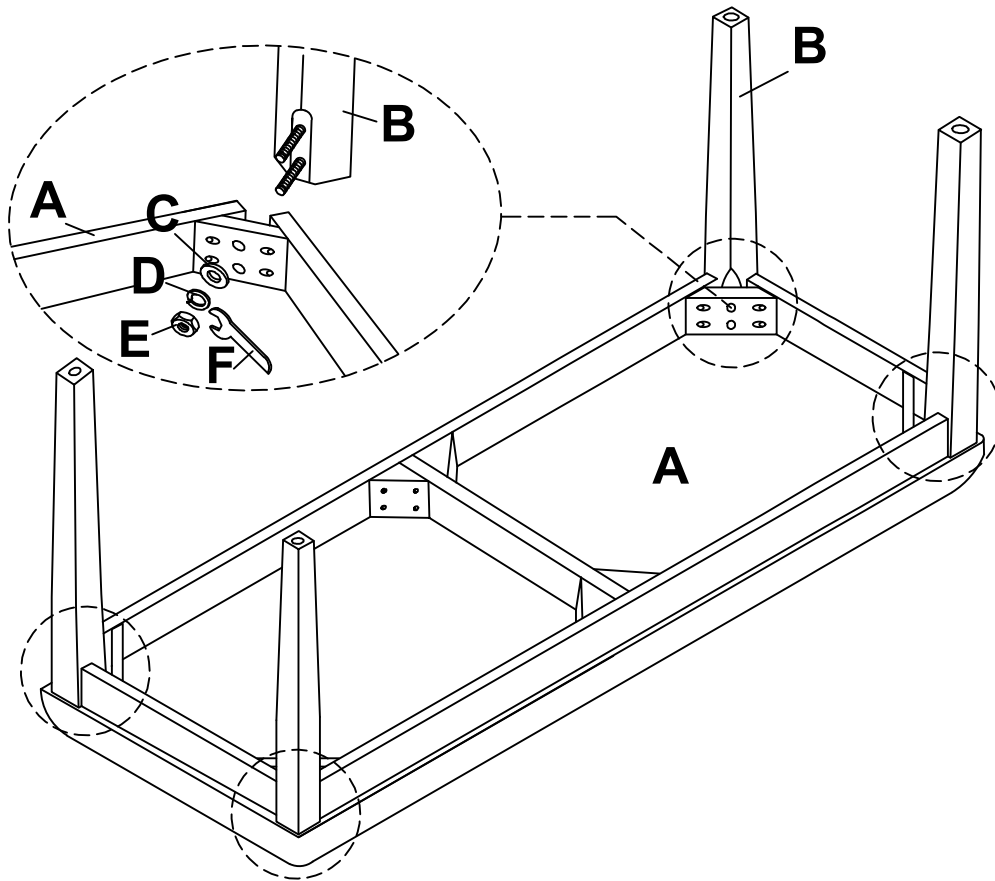


1 pc



This page lists all the contents included in the box. Please take the time to identify the hardware as well as the individual components to this product. As you unpack and prepare for assembly, place the contents on a carpeted or padded area to protect them from damage.

- 1 Place the Bench Top (A) upside down on a floor with a piece of cloth or carpet underneath to prevent from scratching. Attach the Bench Leg (B) to the Bench Top (A) using Flat Washer (C), Lock Washer (D) and Hex Nut (E) with the Wrench (F). Do not fully tighten until all hardware is attached.



Cleaning & Care :

Treat surfaces with care. Surfaces are resistant to scratches but are not scratch resistant. Clean surfaces with a dry or damp soft cloth. Do not use abrasive cleaners. Hardware may loosen over time. Periodically check that all connections are tight.