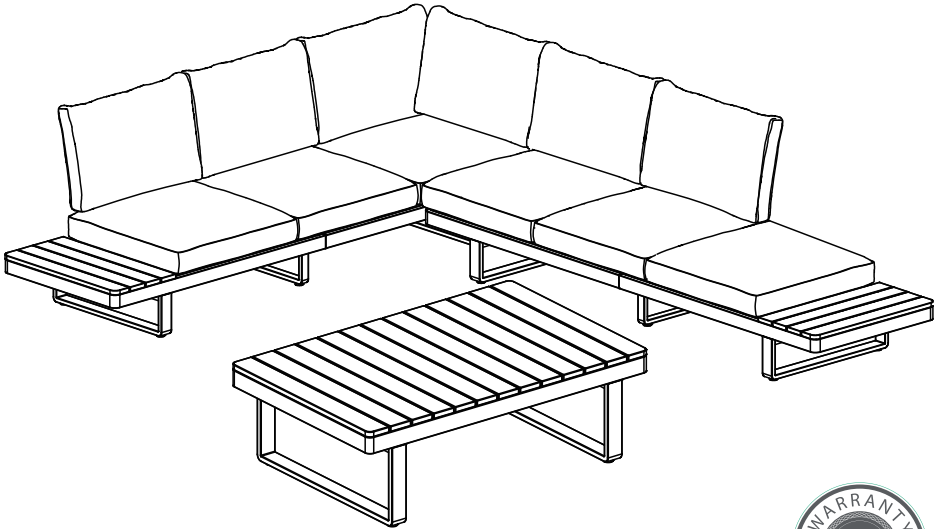


# sku:FY-AU162/FY-AU163

Aluminium Sofa Set



## Thank you for choosing us!

Our goal is to provide high quality outdoor furniture with outstanding customer service-all at an affordable price.

Please let us know how we are doing!

## Problems?

(Missing pieces, wrong pieces...)

We will fix it immediately. Send us an email at

**[aftersaledirect@gmail.com](mailto:aftersaledirect@gmail.com)**.

## Happy?

Please leave us a review!

You can make others happy too!



**IMPORTANT, RETAIN FOR  
FUTURE REFERENCE:  
READ CAREFULLY.**

## **Safety**

- For domestic use only.
- Always use on firm level ground.
- Don't tighten all the bolts before the product is fully assembled.
- It would be useful to ask someone to help you assemble the product.
- Periodic structural checks of this product should be undertaken, do not use if you have any doubts about its fitness for purpose.
- Do not stand on the seat.
- Do not stand on the table.
- Do not let children play with this product.
- Maximum load per seat: 250 lbs.

## **At the beginning of the season**

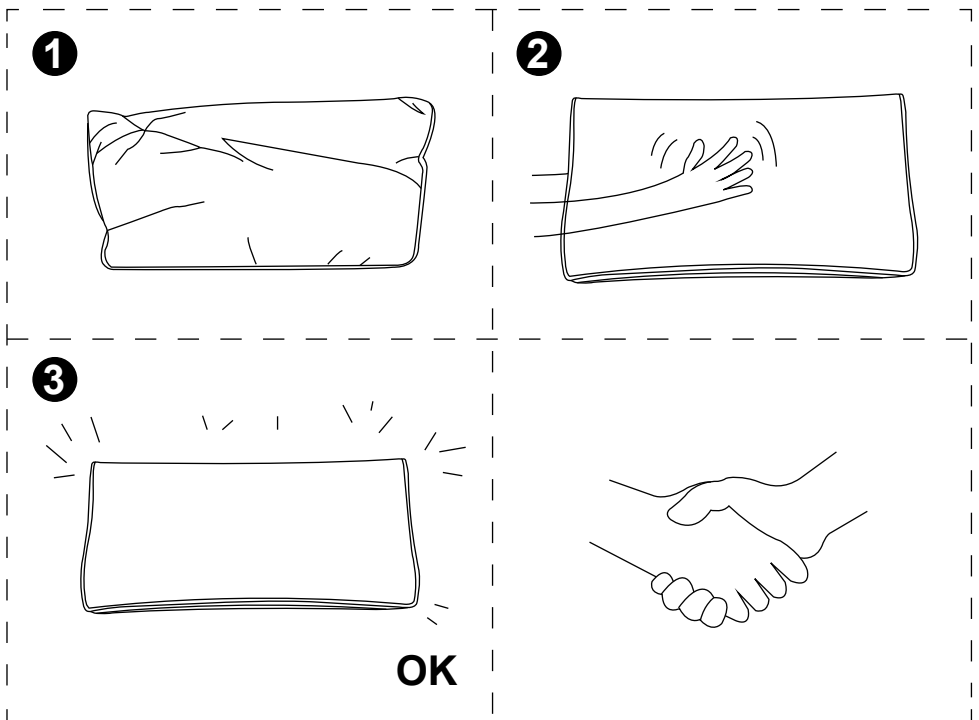
- Check to ensure that all components and fixings of this product are secure, do not use if you have any doubts about its fitness for purpose.

## **At the end of the season**

- This product should be stored under cover during prolonged spells of adverse weather (wet or cold) and also during the winter (ideally in a garden shed or garage).
- Always clean and dry thoroughly before storage.

# Tips for Cushions

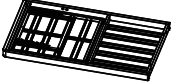
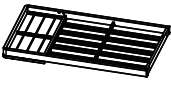
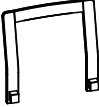

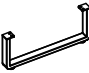
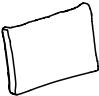

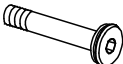

In order to compress the package, we put the cushions in the gap of some parts. So there may be crinkle on the fabric. Don't worry. Just flap every corner of the cushion evenly and it will get back into its original shape soon.







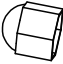
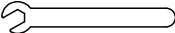
## Care & Cleaning Guidelines

The covers are machine washable.  
Before washing, please zip the cover up to avoid catching other clothes.  
You can clean the dust on the chair / table / footstool with a damp cloth.

## COMPONENT LIST - 3-SEATER COUCH ×2

Item no.	Reference Image	Description	Qty.
A		Seat Panel	1
B		Seat Panel	1
C		Back Panel	3
D		Leg	2
E		Leg	1
F		Back Cushion	3
G		Seat Cushion	3
H		M6X50 Head Cap Screws	4
I		M6X20 Head Cap Screws	12

## COMPONENT LIST - 3-SEATER COUCH ×2

Item no.	Reference Image	Description	Qty.
J		Washer	20
K		Cap	16
L		Allen Key	1
M		Nut	4
N		Cap	4
O		Spanner	1

**NOTE:**

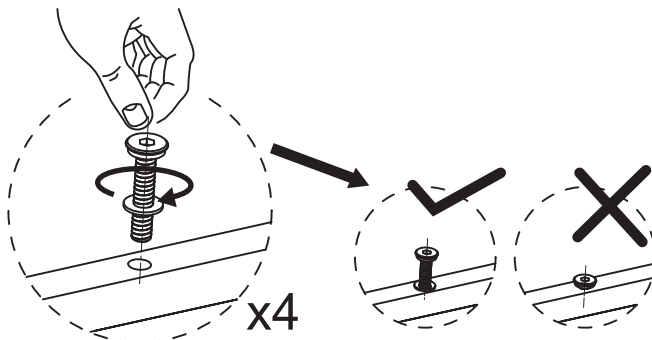
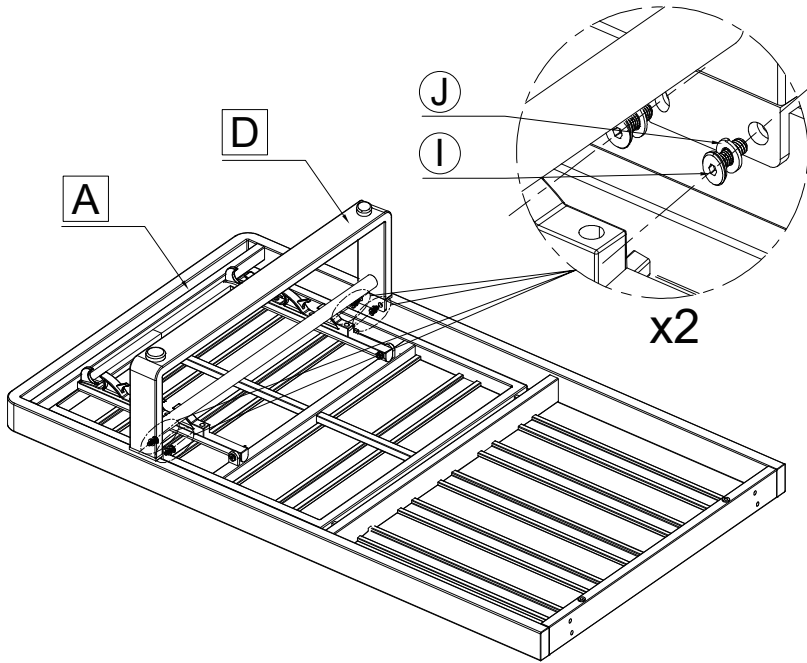
Do NOT tighten any screws fully first until you have tightened all the screws.

This may cause the frame to warp.

If there is still wobbles or screw holes cannot be aligned, loosen the screws and tighten sequentially.

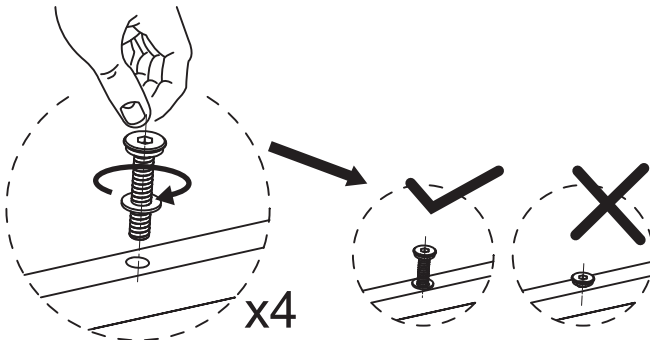
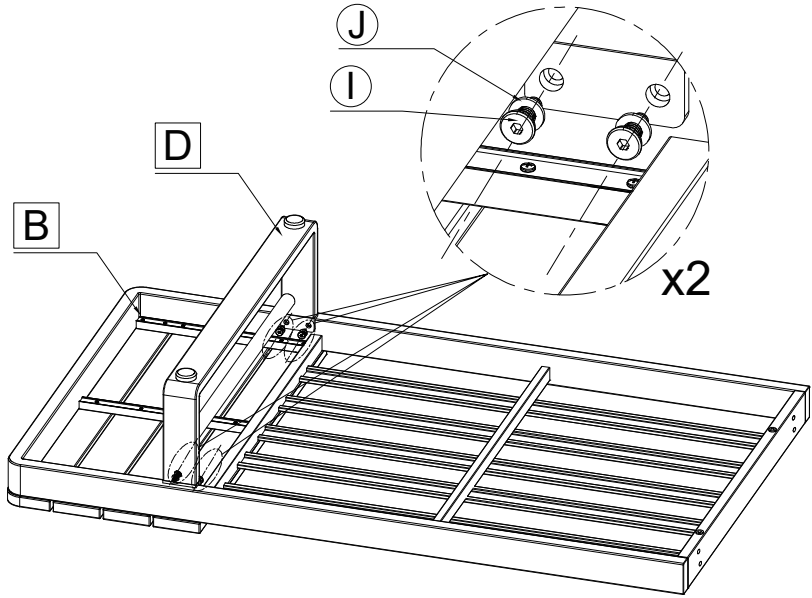
If the Sofa is not stable it could lead to damage to the product.

1



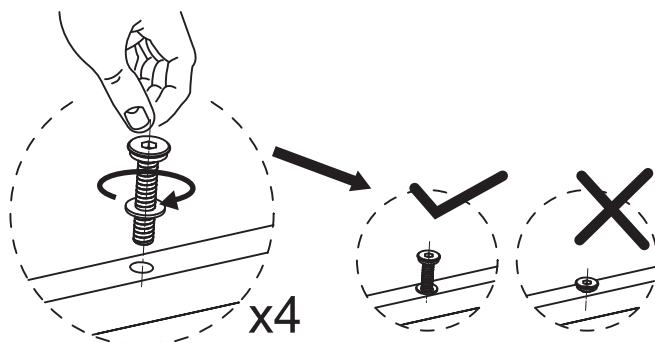
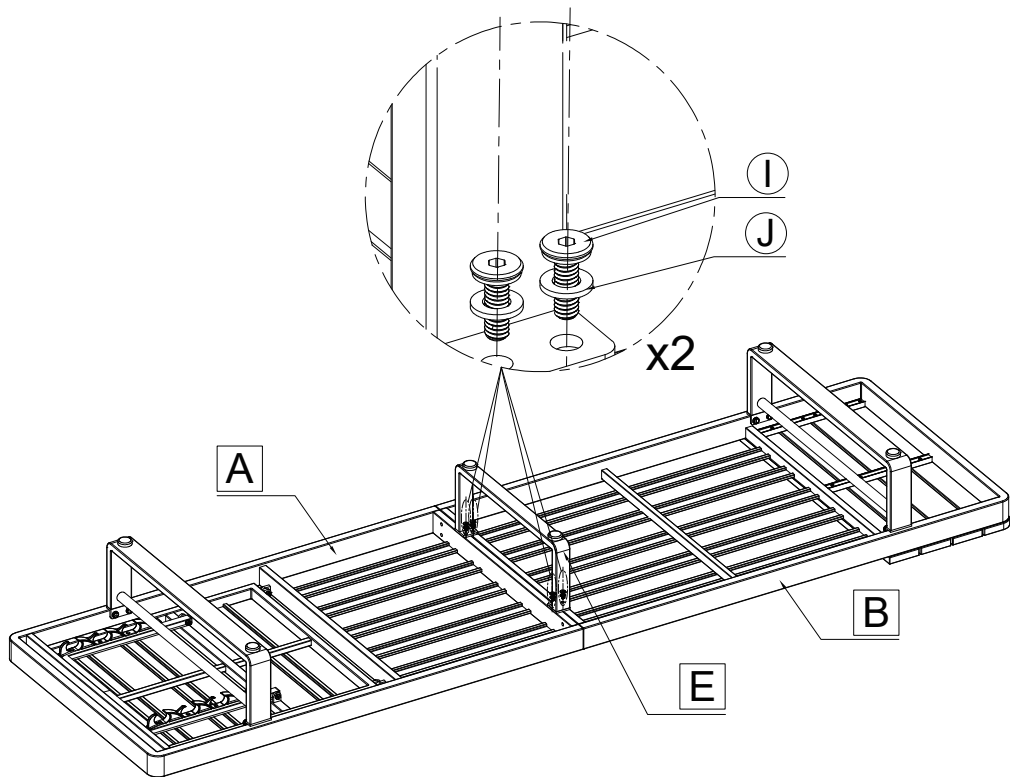
**NOTE: DO NOT TIGHTEN THE SCREWS COMPLETELY.**

2



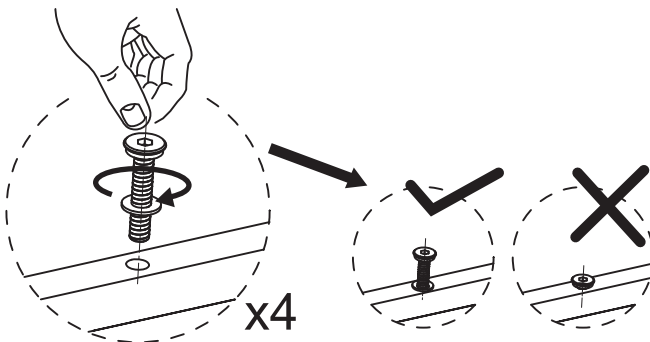
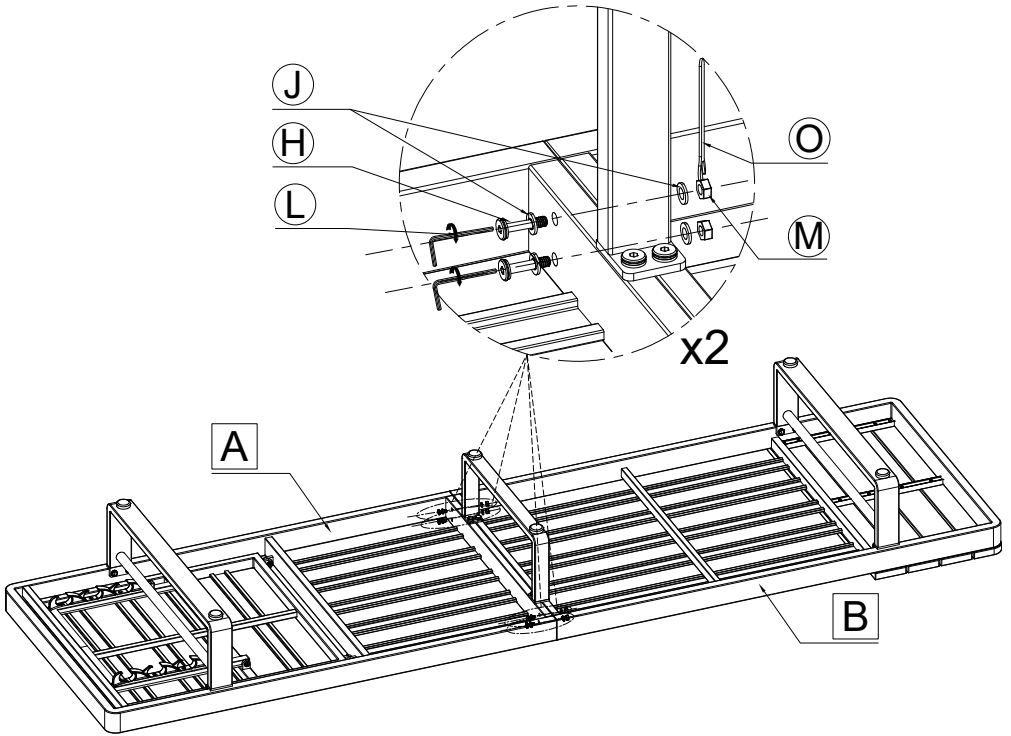
**NOTE: DO NOT TIGHTEN THE SCREWS COMPLETELY.**

3



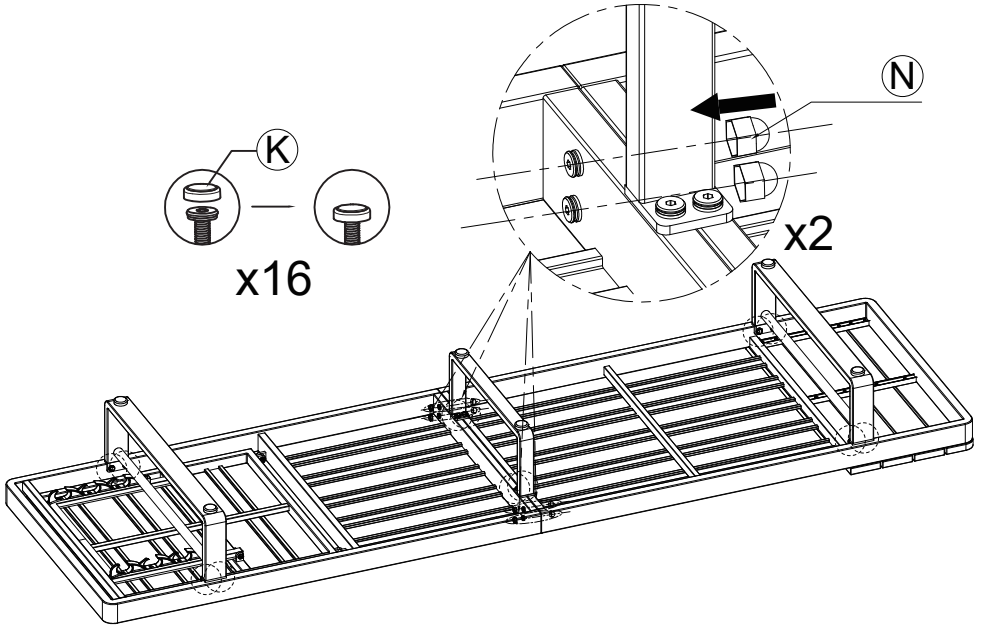
**NOTE: DO NOT TIGHTEN THE SCREWS COMPLETELY.**

4

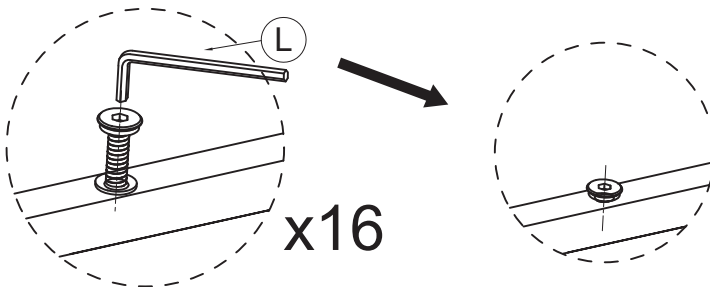


**NOTE: DO NOT TIGHTEN THE SCREWS COMPLETELY.**

5

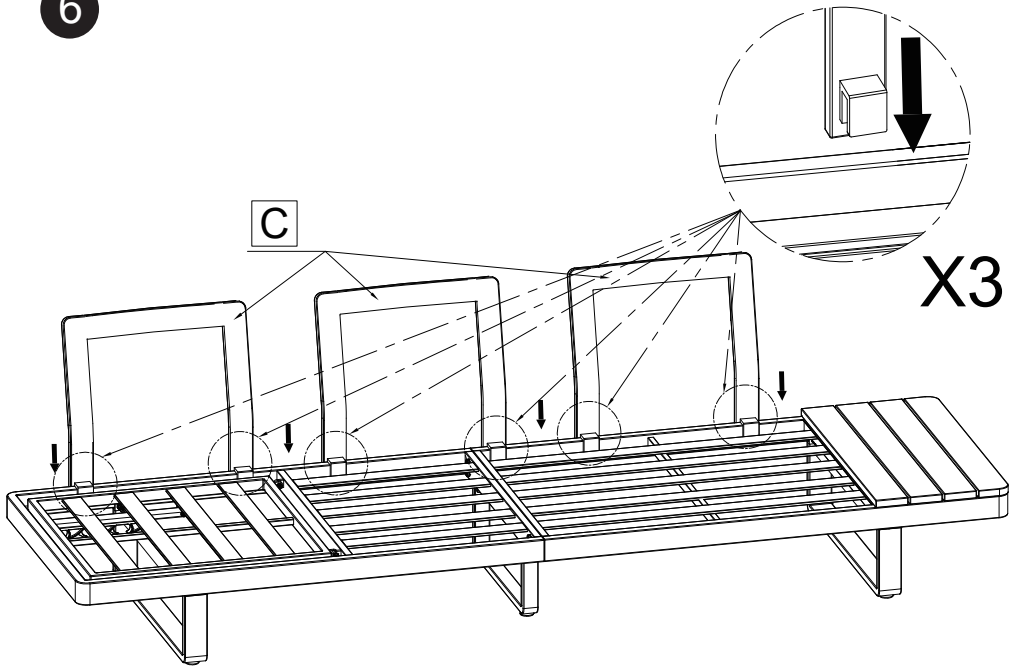


Tighten all 16 screws into place with Allen Key (L) and Spanner (O), and Install the Caps(K) for protecting and concealing the screws.

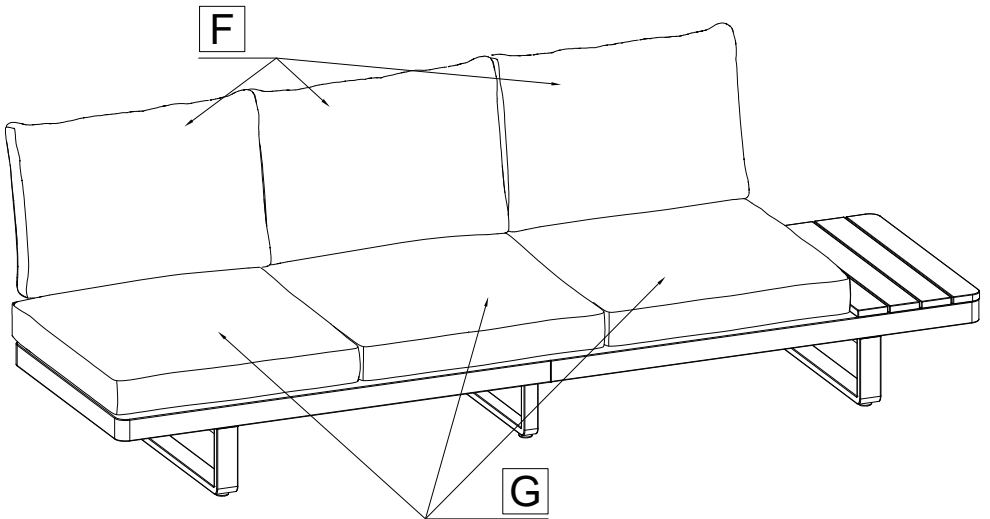


**NOTE:**IF ANY SCREW HOLES CANNOT BE ALIGNED, LOOSEN ALL THE SCREWS AND GO BACK STEP 1 AND RESTART ASSEMBLY.

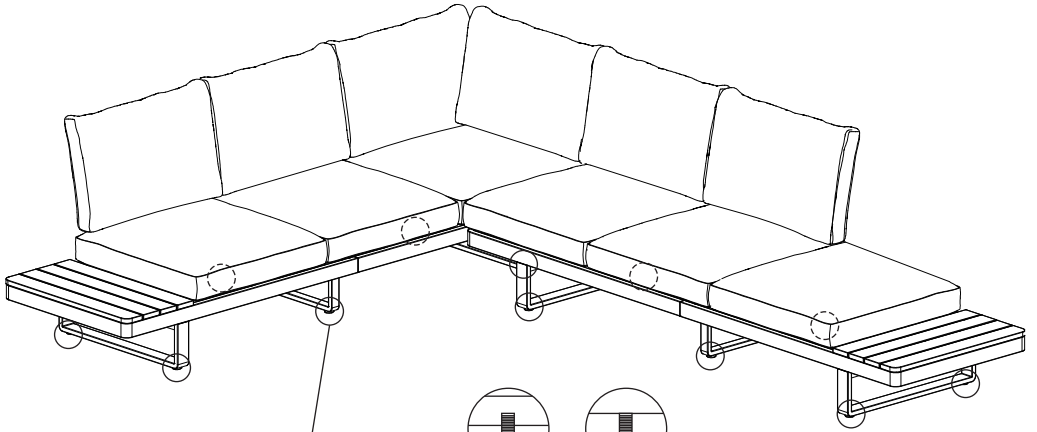
6



7



8



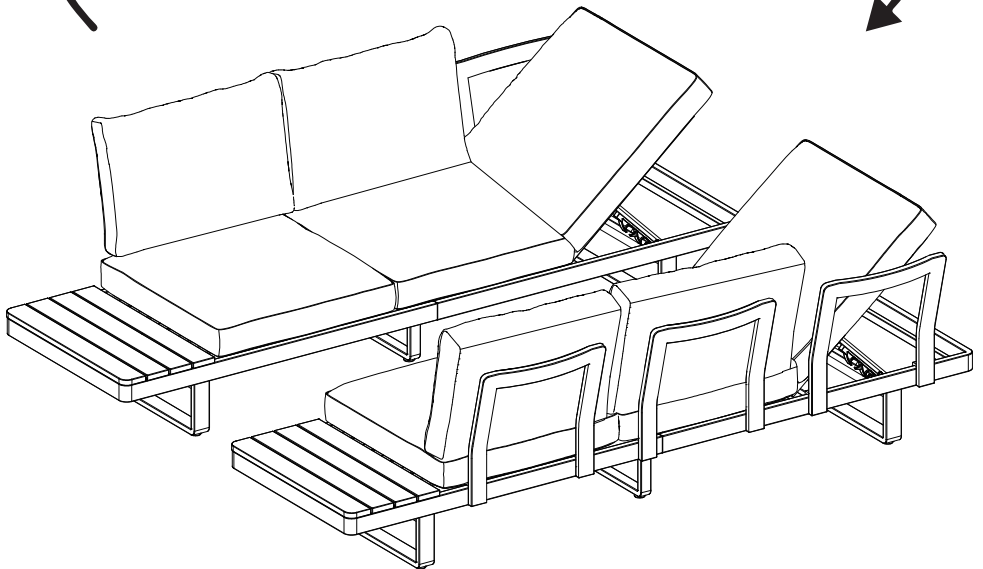
Adjust Pre-installed levellers height for balance









Adjust height for balance



Adjust low for balance



## COMPONENT LIST - TABLE

Item no.	Reference Image	Description	Qty.
P		Table Top	1
Q		Leg	2
I		M6X20 Head Cap Screws	8
J		Washer	8
K		Cap	8
L		Allen Key	1

**NOTE:**

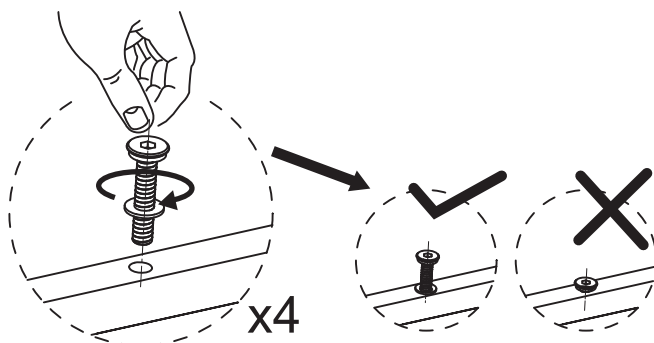
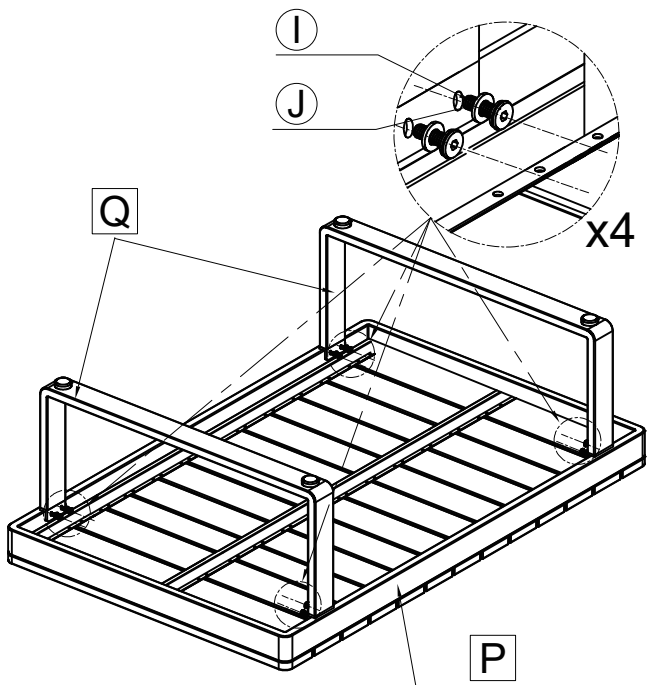
Do NOT tighten any screws fully first until you have tightened all the screws.

This may cause the frame to warp.

If there is still wobbles or screw holes cannot be aligned, loosen the screws and tighten sequentially.

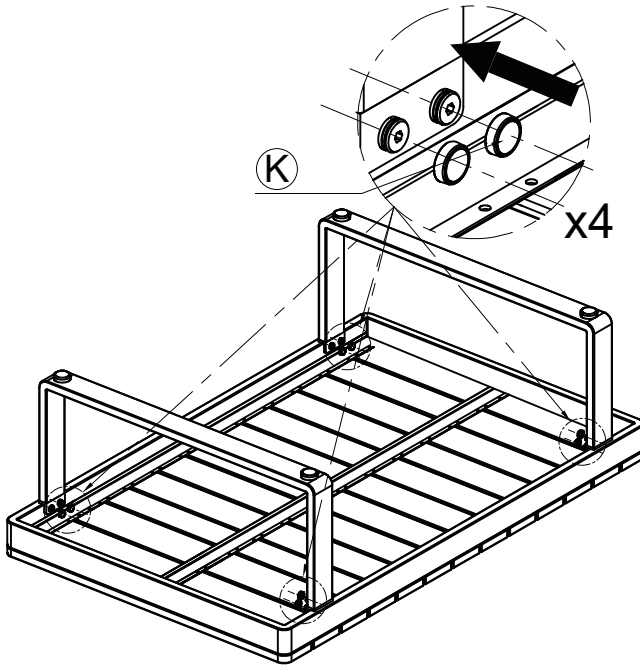
If the Table is not stable it could lead to damage to the product.

1

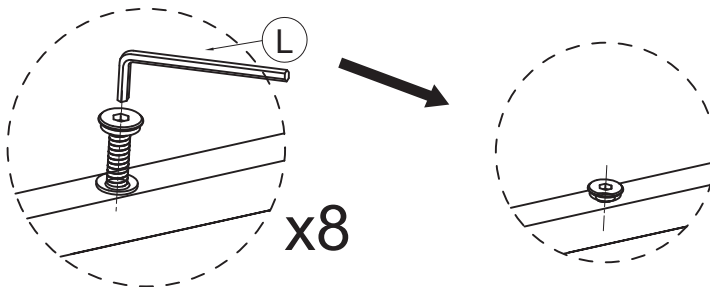


**NOTE: DO NOT TIGHTEN THE SCREWS COMPLETELY.**

2

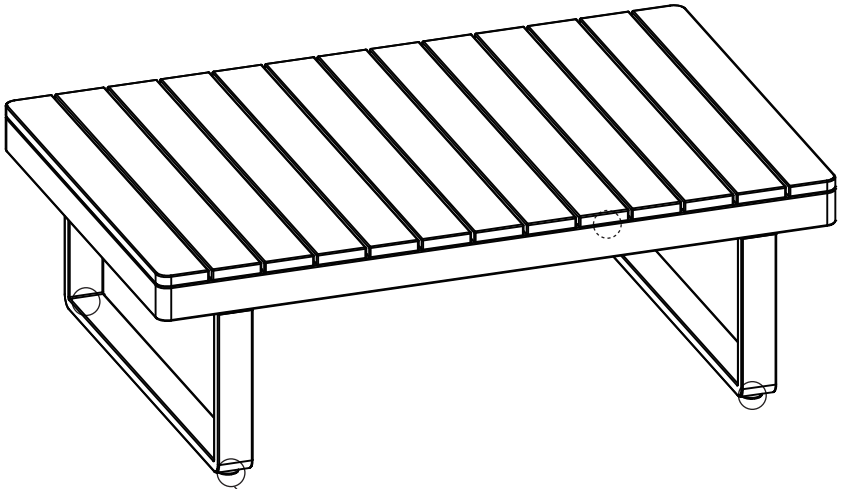


Tighten all 8 screws into place with Allen Key (L) and Install the Caps(K) for protecting and concealing the screws.



**NOTE:**IF ANY SCREW HOLES CANNOT BE ALIGNED, LOOSEN ALL THE SCREWS AND GO BACK STEP 1 AND RESTART ASSEMBLY.

3



Adjust Pre-installed levellers height for balance



Adjust height for balance



Adjust low for balance