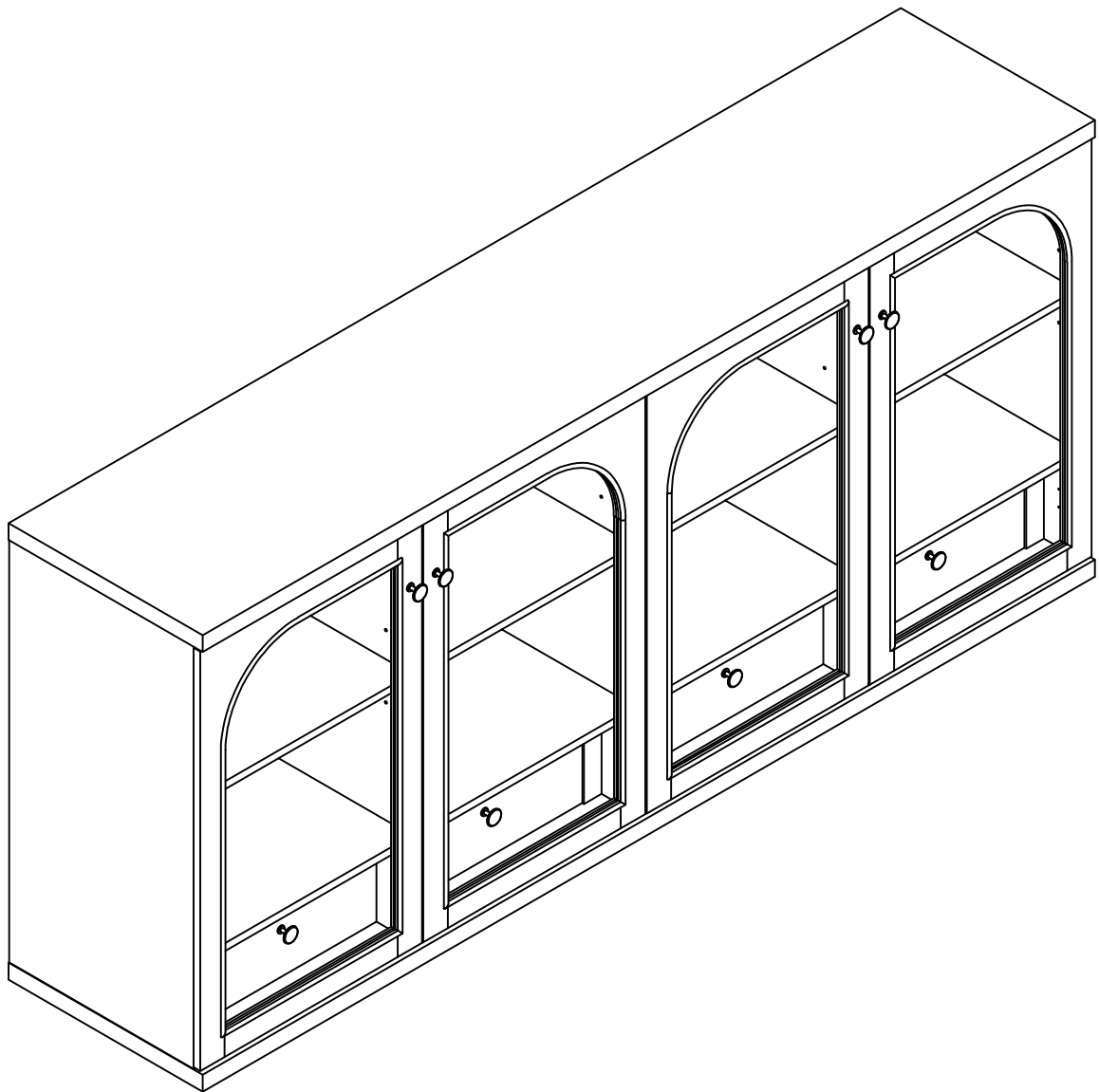


# Archline Sideboard

Assembly Instruction



**Vicissitudes**

## INTRODUCTION

Thank you for purchasing our products. Please read the instructions carefully before installation and keep it in a safe place for future reference. If you need any assistance or support, please feel free to contact our customer support team.

## PRECAUTIONS

1. There are many components and accessories in the package. Each component and accessory is labeled with a letter or a number, check carefully before using any of them. Keep them away from children to prevent accidents.
2. Please install the product on a clean and soft underlay (such as carpet or cardboard) to avoid scratching or damaging the surface of the product.
3. The main components of the product are relatively heavy. Please pay attention to safety during installation.
4. The product is not stable during installation. Please do not move it randomly until it is completely installed.
5. If you have any questions during installation, please contact the customer service in time.

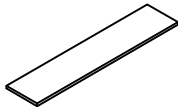
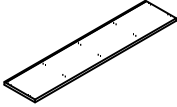
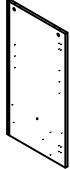

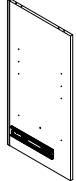


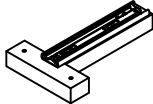
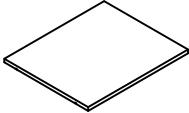
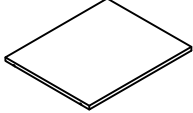
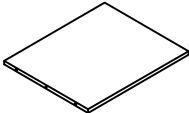
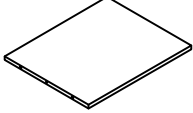
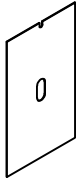
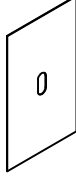


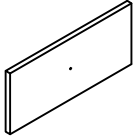
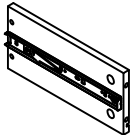
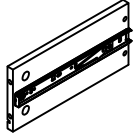
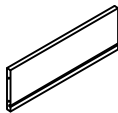
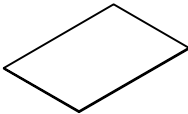
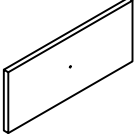
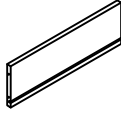
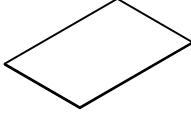
**\*PLEASE BE SURE TO FOLLOW THE INSTALLATION STEPS IN THE MANUAL TO AVOID UNNECESSARY LOSSES CAUSED BY IMPROPER INSTALLATION.**

**\*IF YOU NEED FURTHER ASSISTANCE, PLEASE CONTACT THE CUSTOMER SERVICE ONLINE.**

# Vicissitudes


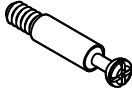
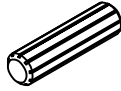
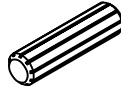

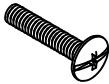
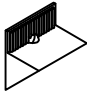



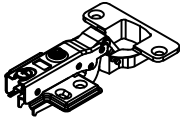
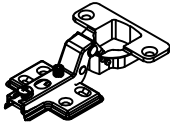

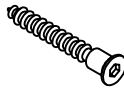
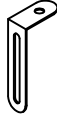


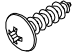
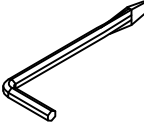

2

## Parts List

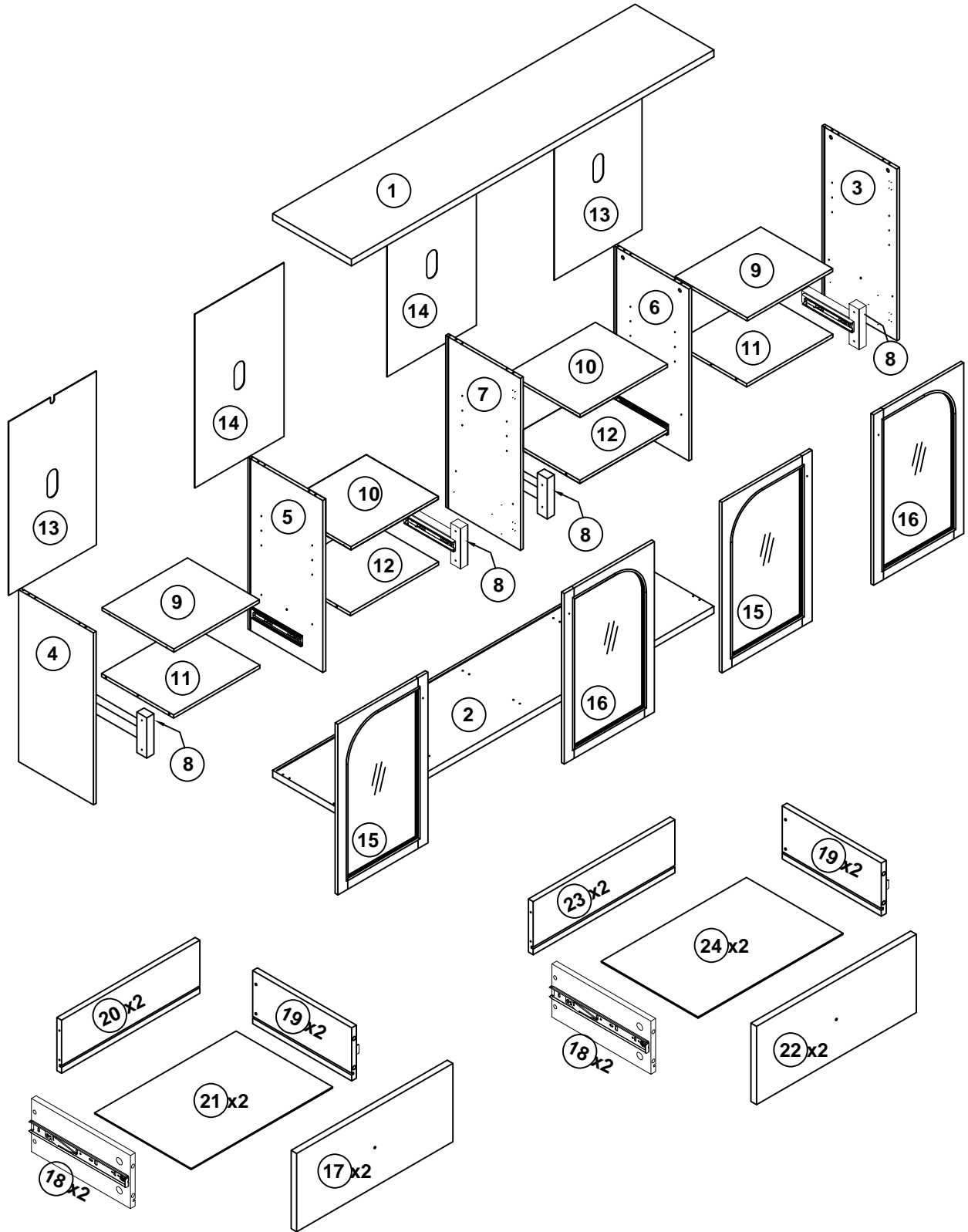
 ① × 1	 ② × 1	 ③ × 1	 ④ × 1	 ⑤ × 1
 ⑥ × 1	 ⑦ × 1	 ⑧ × 4	 ⑨ × 2	 ⑩ × 2
 ⑪ × 2	 ⑫ × 2	 ⑬ × 2	 ⑭ × 2	 ⑮ × 2
 ⑯ × 2	 ⑰ × 2	 ⑱ × 4	 ⑲ × 4	 ⑳ × 2
 ㉑ × 2	 ㉒ × 2	 ㉓ × 2	 ㉔ × 2	

# Vicissitudes

## Hardware List

<p><math>\varnothing 15 \times 9.8 \text{mm}</math></p>  <p>A × 42</p>	<p><math>\varnothing 7 \times 35 \text{mm}</math></p>  <p>B × 42</p>	<p><math>\varnothing 6 \times 30 \text{mm}</math></p>  <p>C × 28</p>	<p><math>\varnothing 6 \times 50 \text{mm}</math></p>  <p>D × 5</p>	<p>21 × 14 × 21mm</p>  <p>E × 8</p>
<p>M4 × 16mm</p>  <p>F × 8</p>	<p>15 × 15 × 11mm</p>  <p>G × 26</p>	<p>#3 × 16mm</p>  <p>H × 26</p>	<p>#4 × 35mm</p>  <p>I × 28</p>	<p><math>\varnothing 5 \times 7 \times 17 \text{mm}</math></p>  <p>J × 16</p>
 <p>K × 4</p>	 <p>L × 4</p>	<p>#3.5 × 15mm</p>  <p>M × 48</p>	<p>#9.5 × 46mm</p>  <p>N × 10</p>	 <p>O × 2</p>
 <p>P × 2</p>	 <p>Q × 2</p>	 <p>R × 2</p>	 <p>U × 1</p>	 <p>S × 1</p>

# Vicissitudes



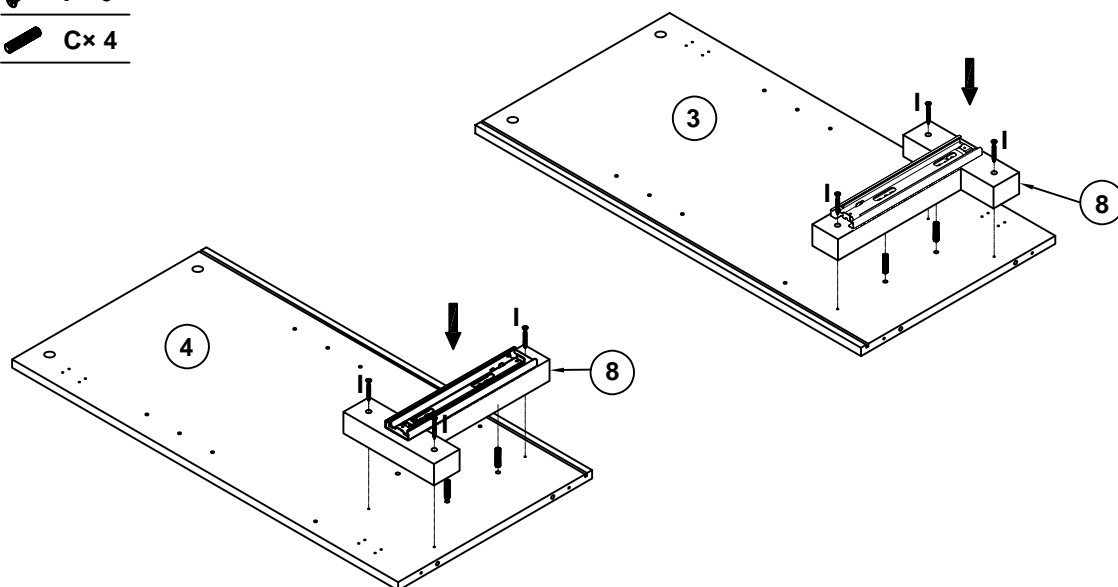
# Vicissitudes

5

## STEP 1

 I x 6

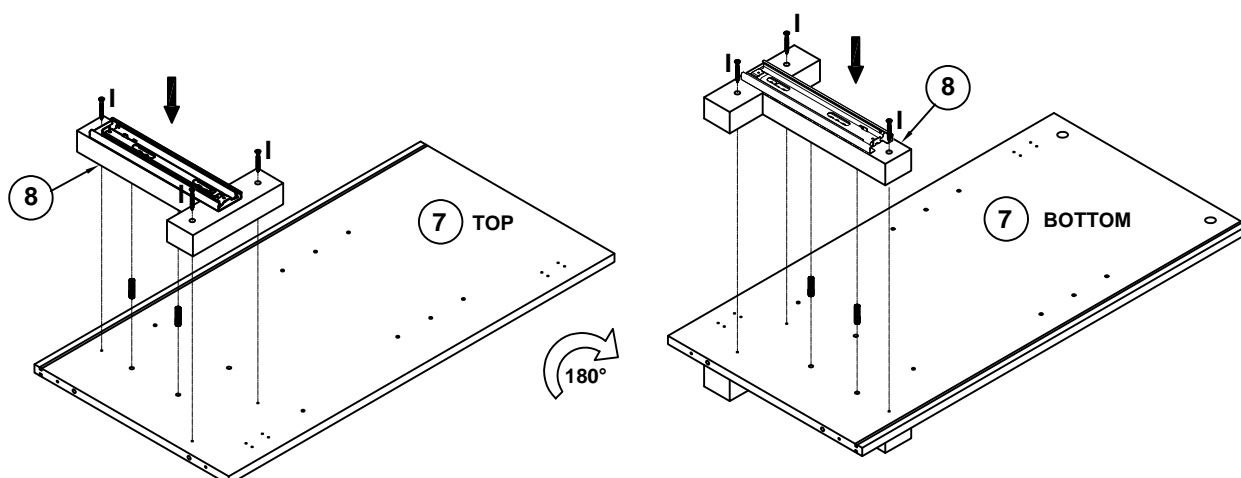
 C x 4



## STEP 2

 I x 6

 C x 4

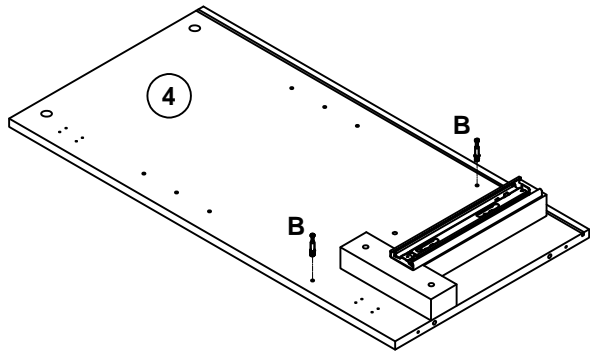
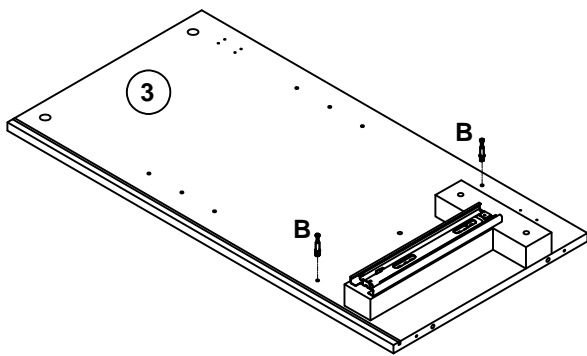


# Vicissitudes

6

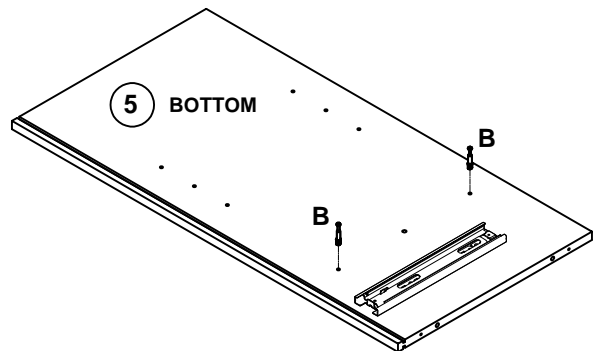
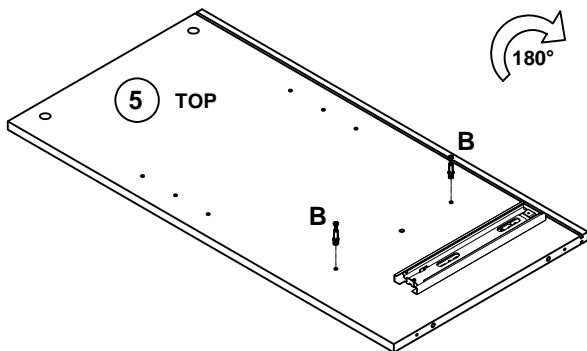
## STEP 3

 B x 4



## STEP 4

 B x 4

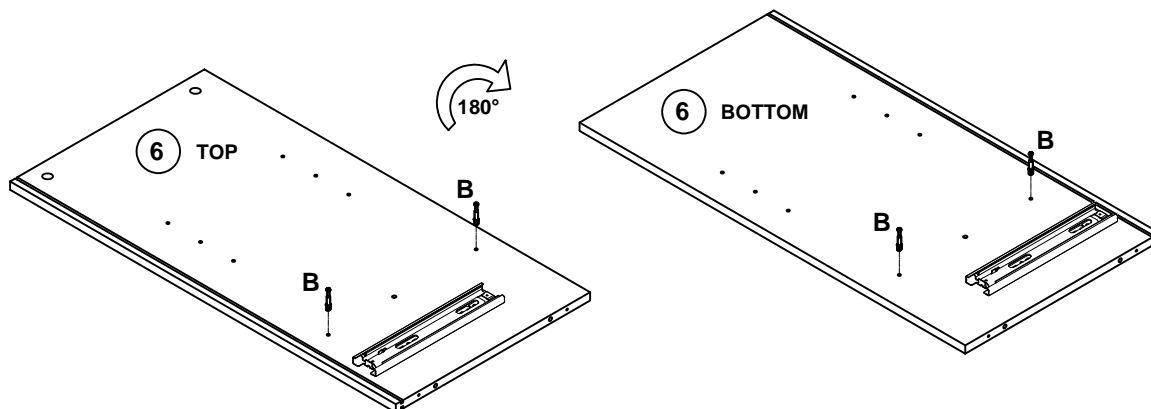


# Vicissitudes


7

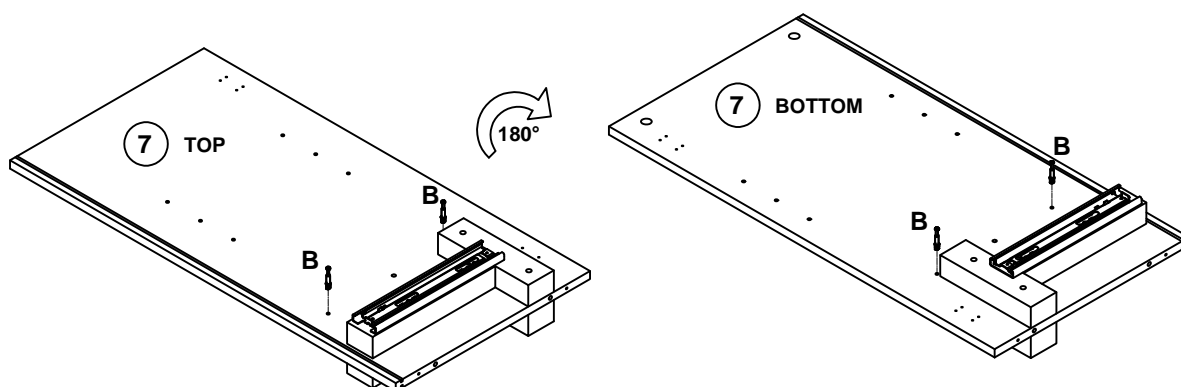
## STEP 5

 B x 4





## STEP 6

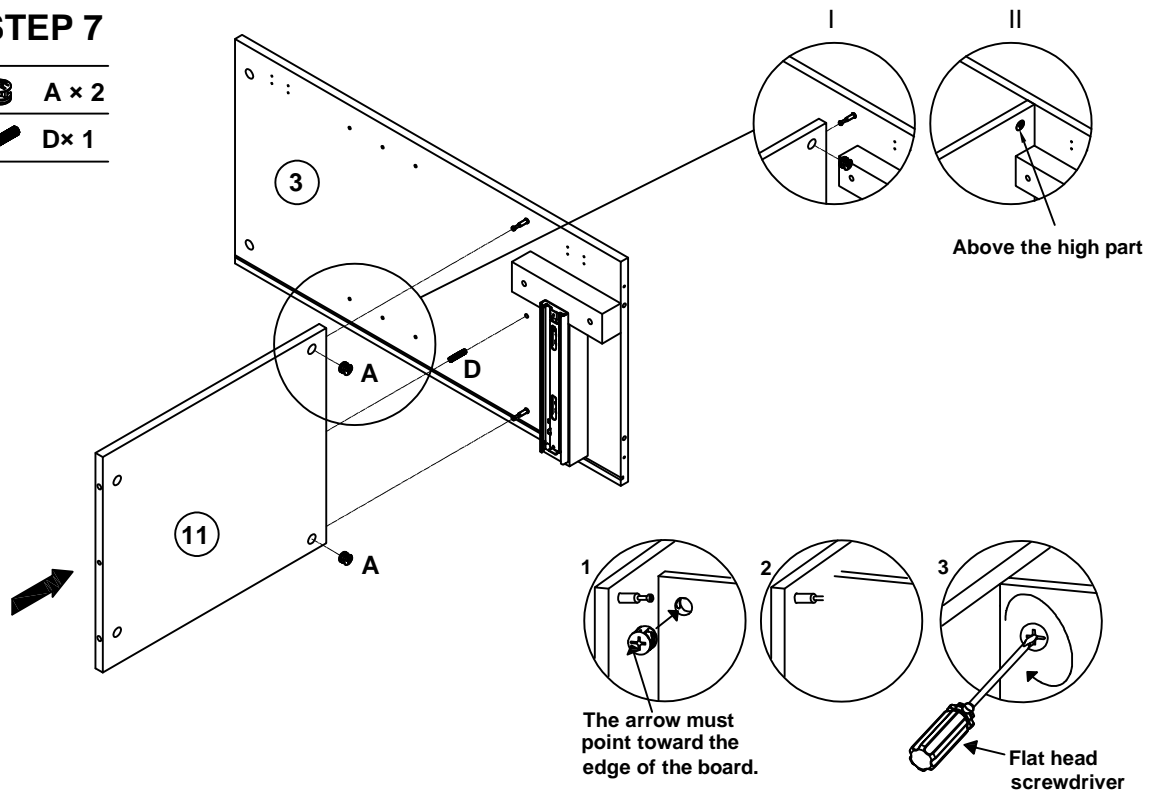
 B x 4





# Vicissitudes

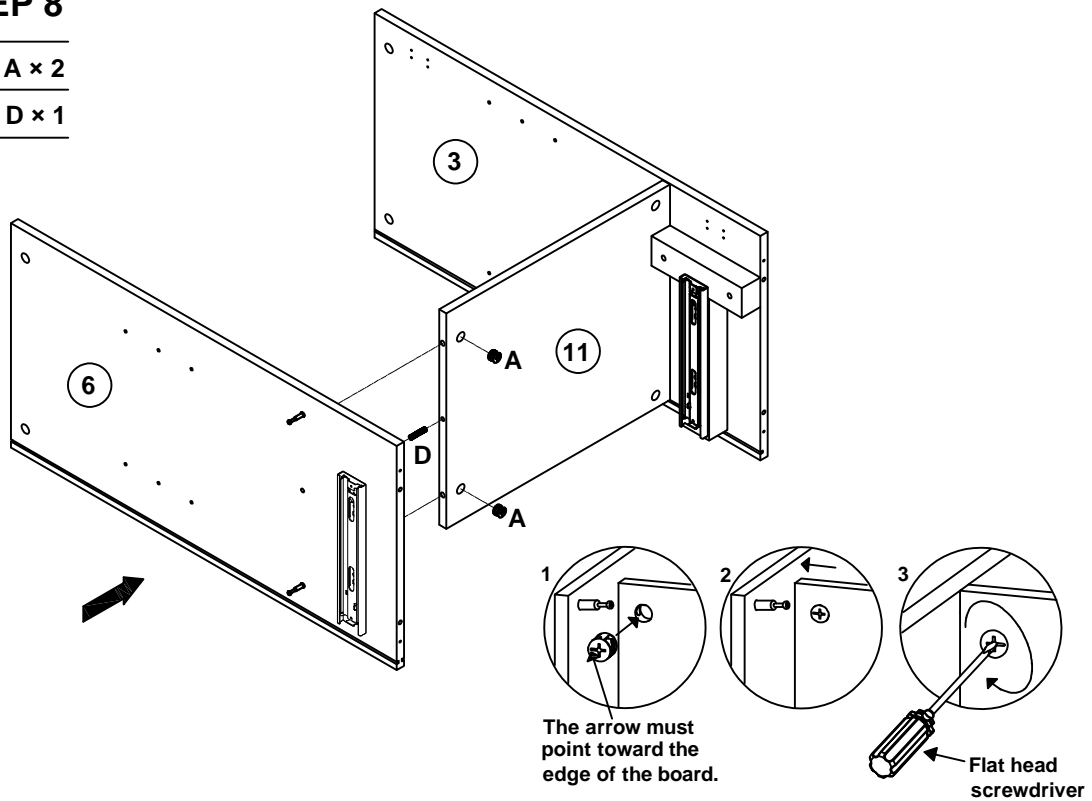
## STEP 7

-  A x 2
-  D x 1




## STEP 8

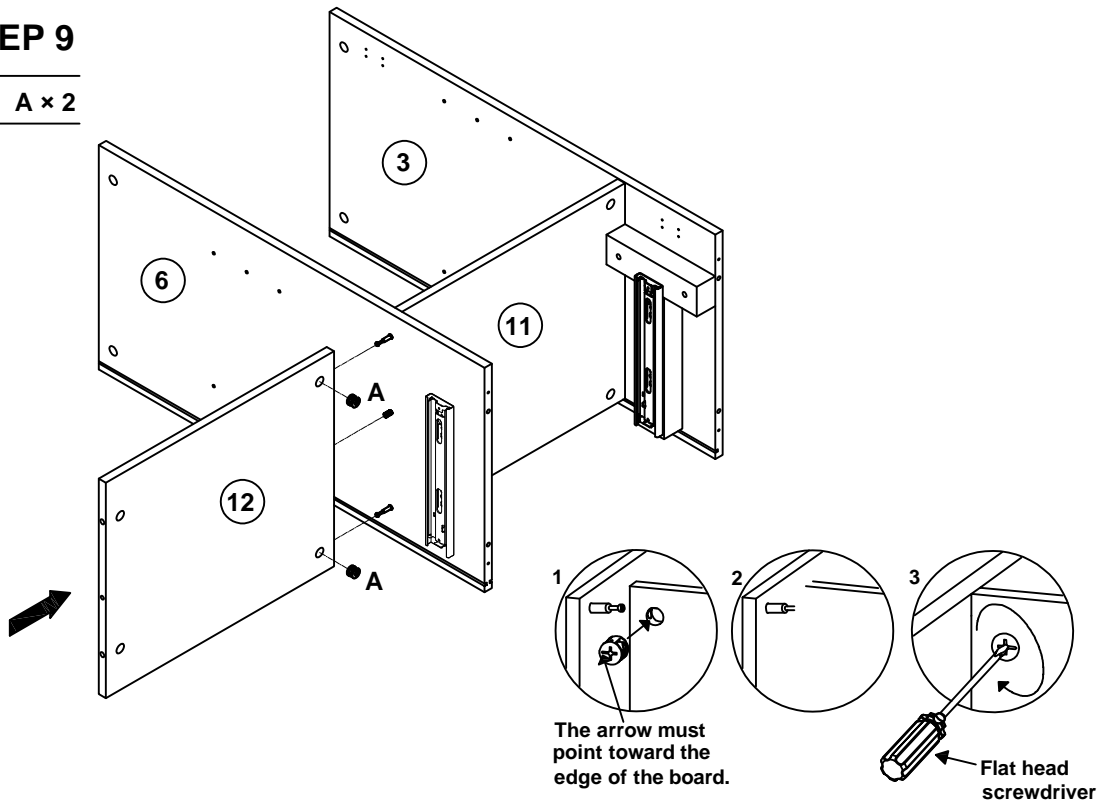
-  A x 2
-  D x 1



# Vicissitudes

## STEP 9

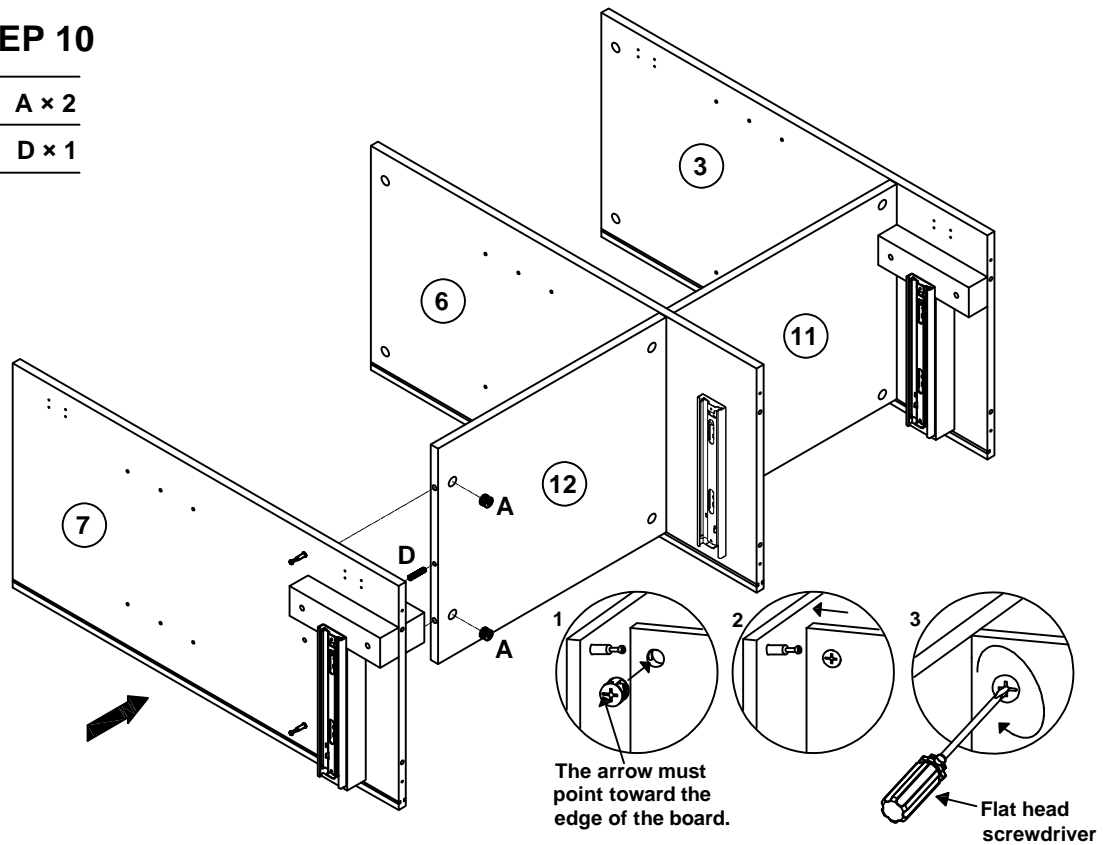
 A x 2



## STEP 10

 A x 2

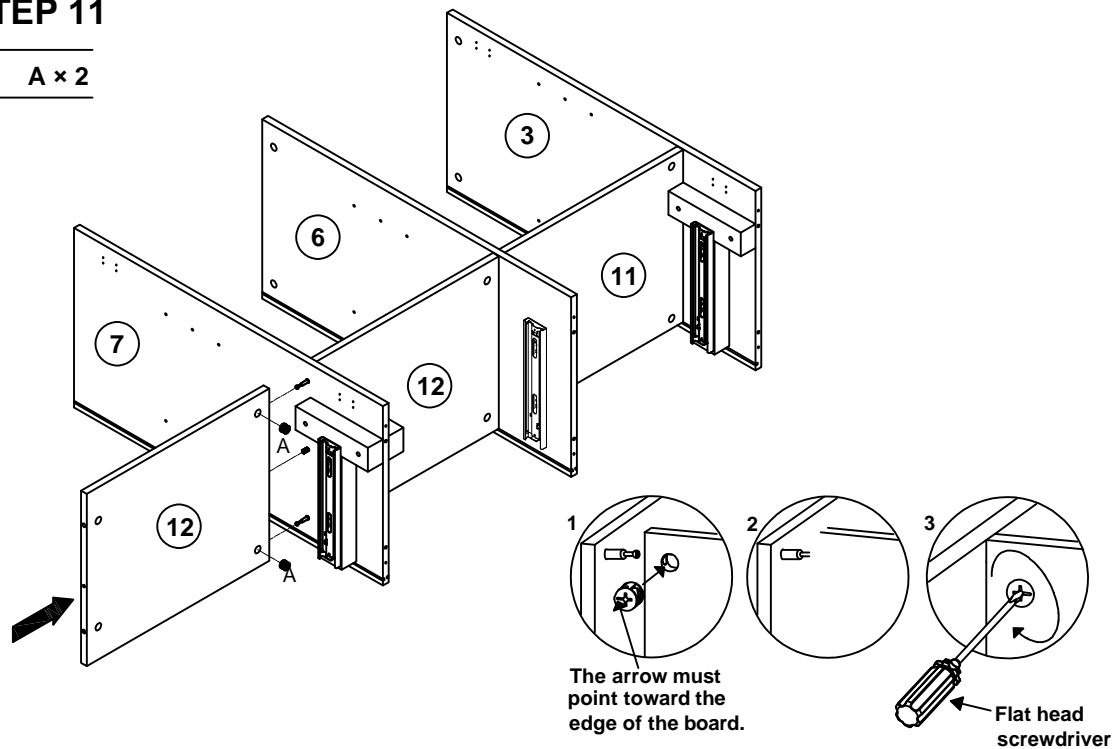
 D x 1



# Vicissitudes

## STEP 11

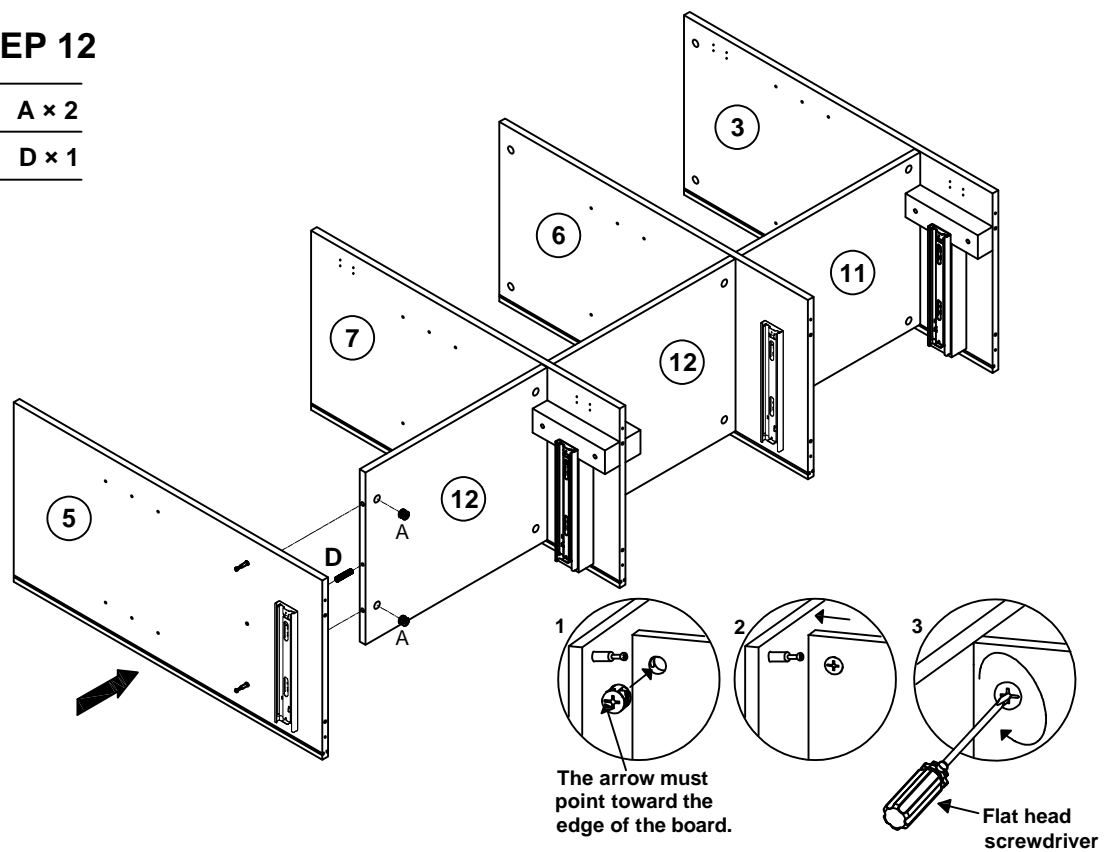
 A x 2



## STEP 12

 A x 2

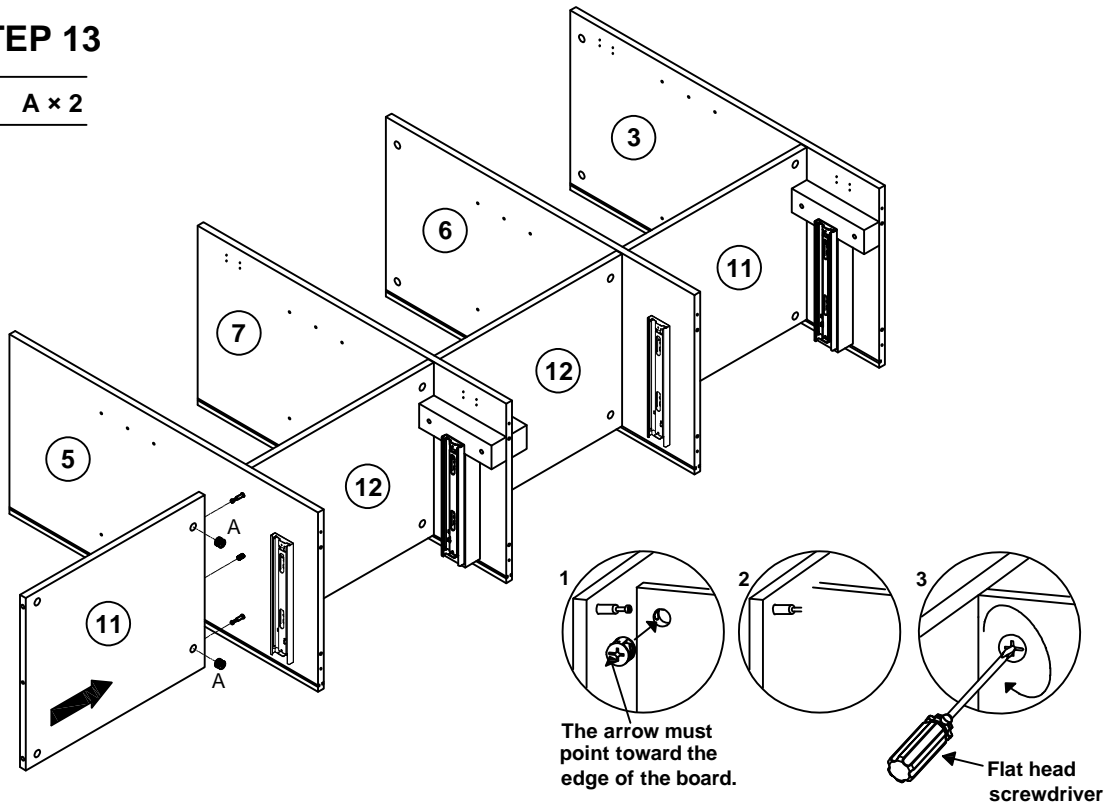
 D x 1




# Vicissitudes

## STEP 13

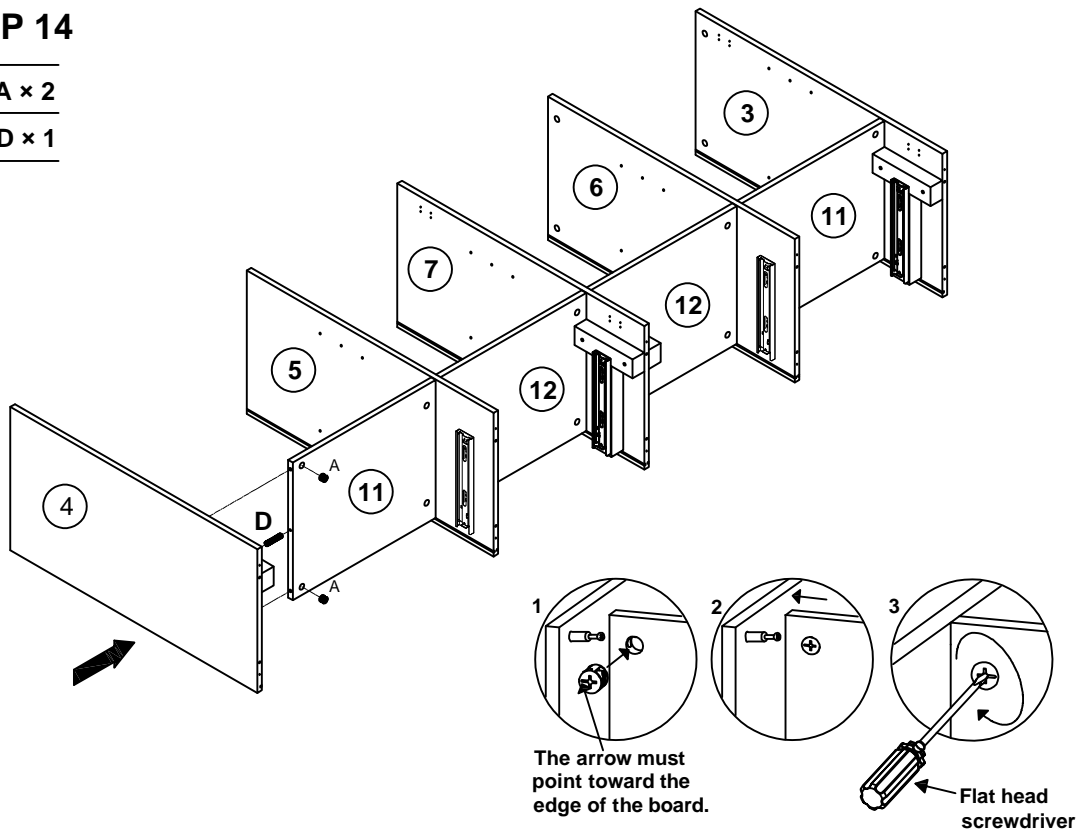
 A x 2



## STEP 14

 A x 2


 D x 1



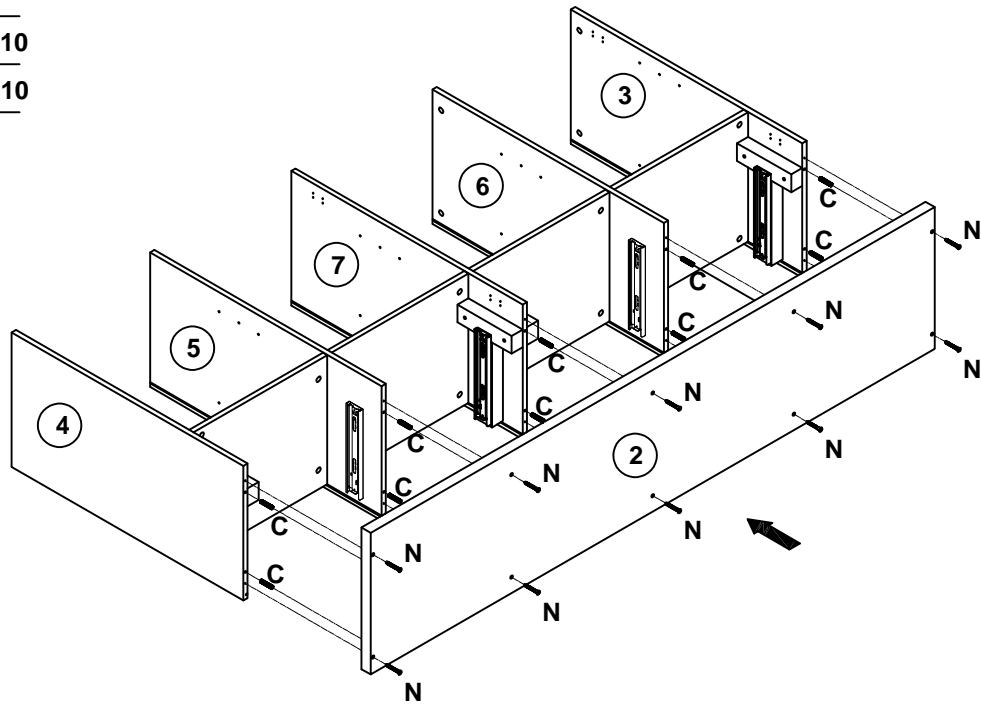
# Vicissitudes

12

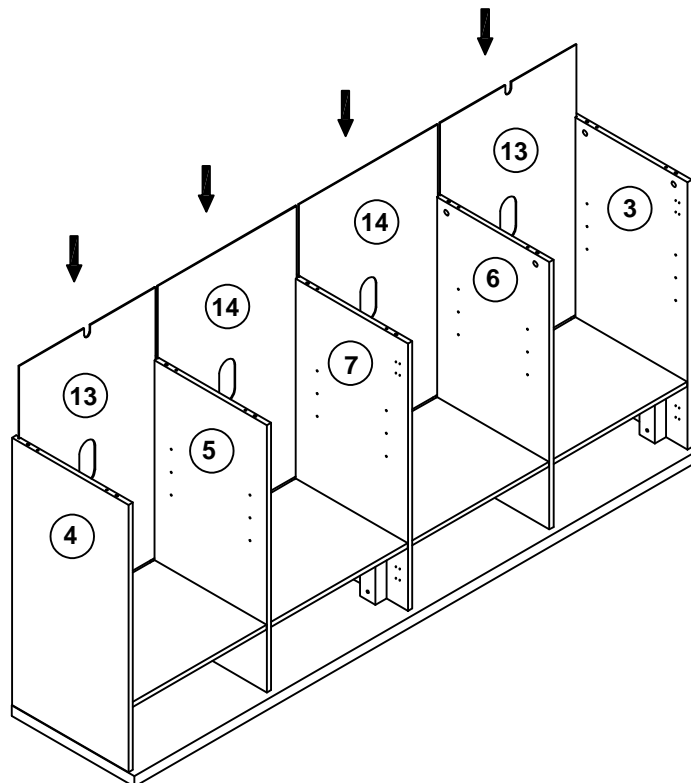
## STEP 15

 N x 10

 C x 10






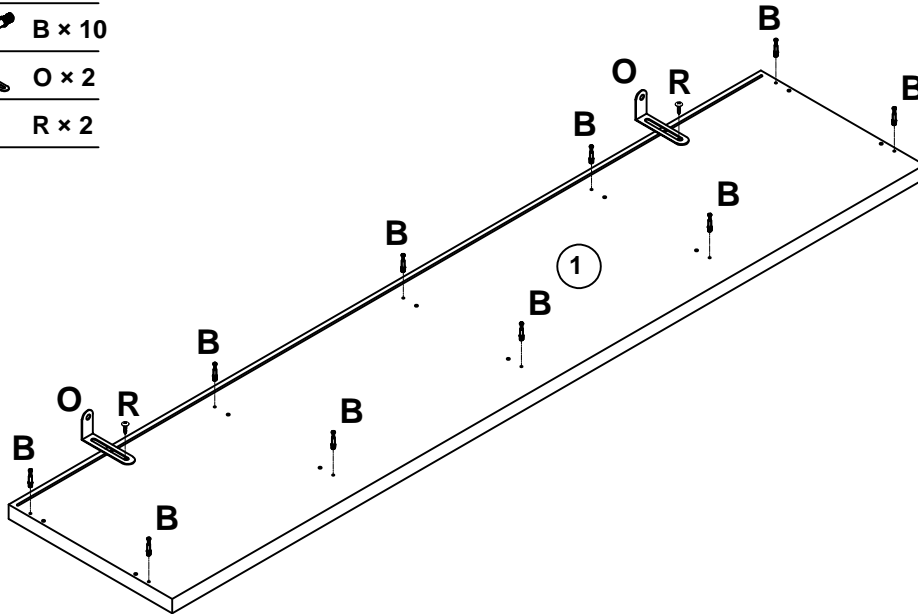
## STEP 16





# Vicissitudes

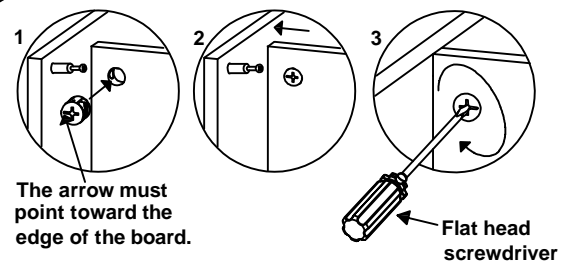
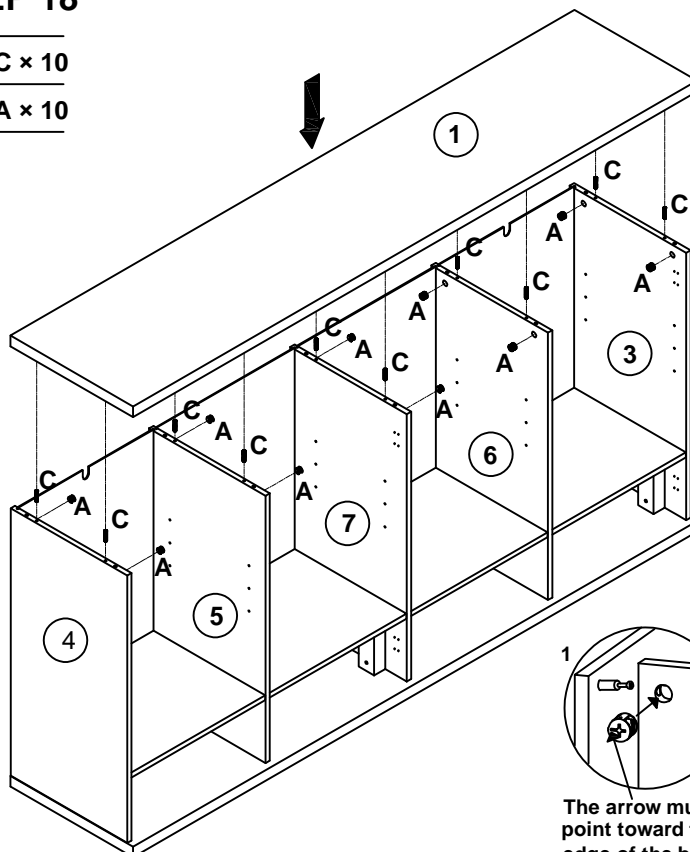
## STEP 17

-  B x 10
-  O x 2
-  R x 2



## STEP 18


-  C x 10
-  A x 10




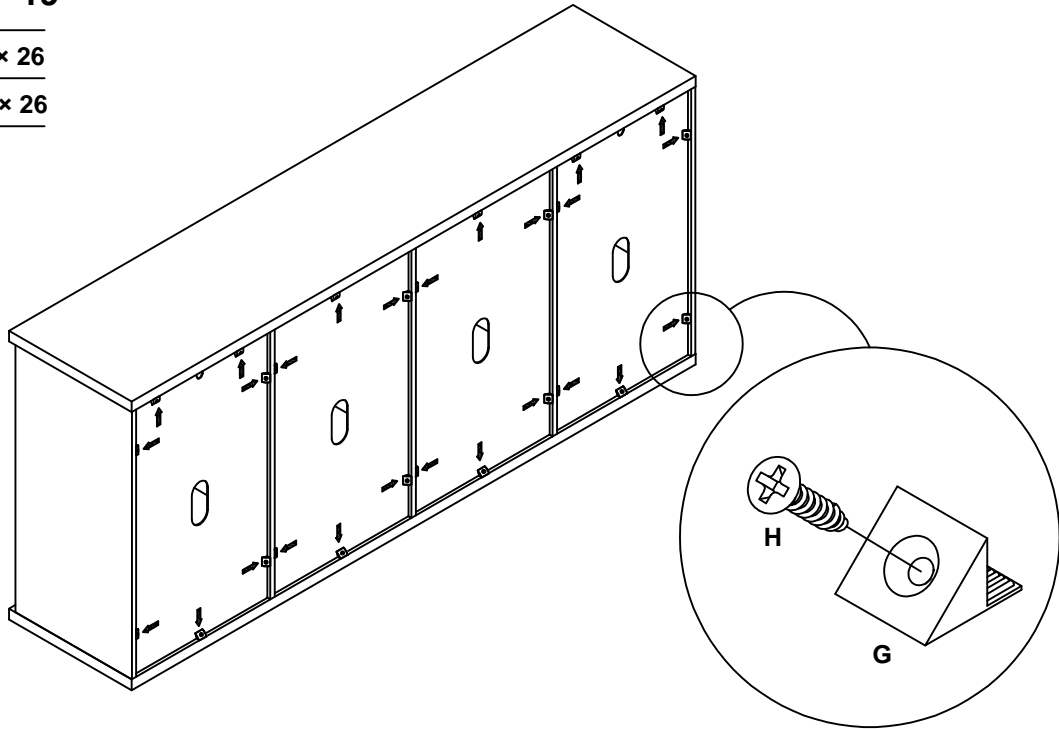
# Vicissitudes

14

## STEP 19

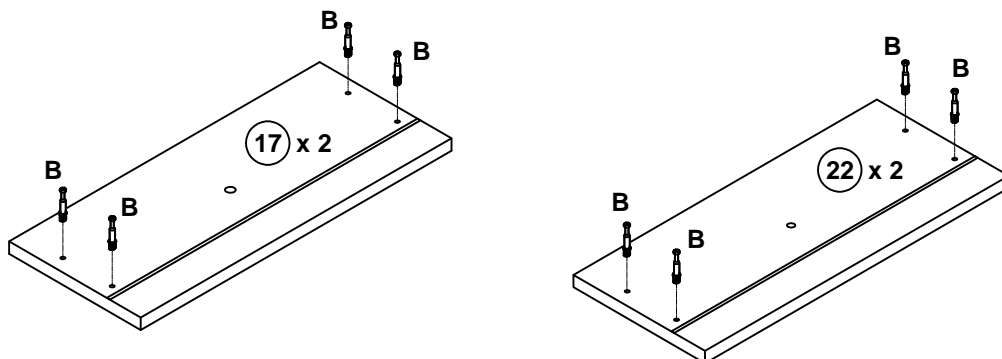
 G x 26

 H x 26



## STEP 20


 B x 16

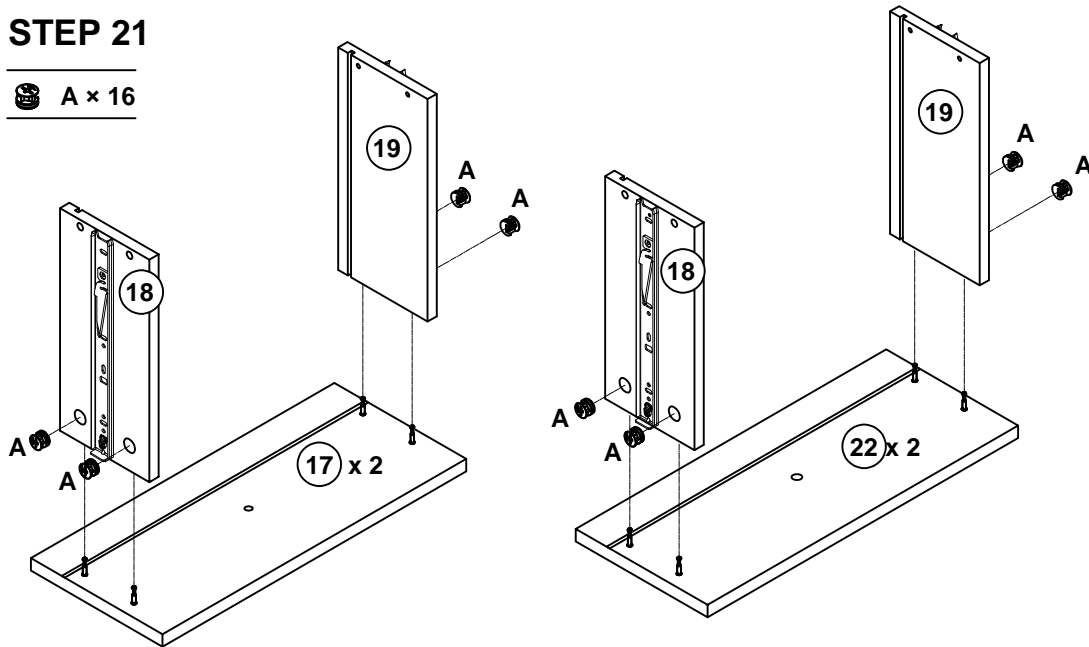


# Vicissitudes

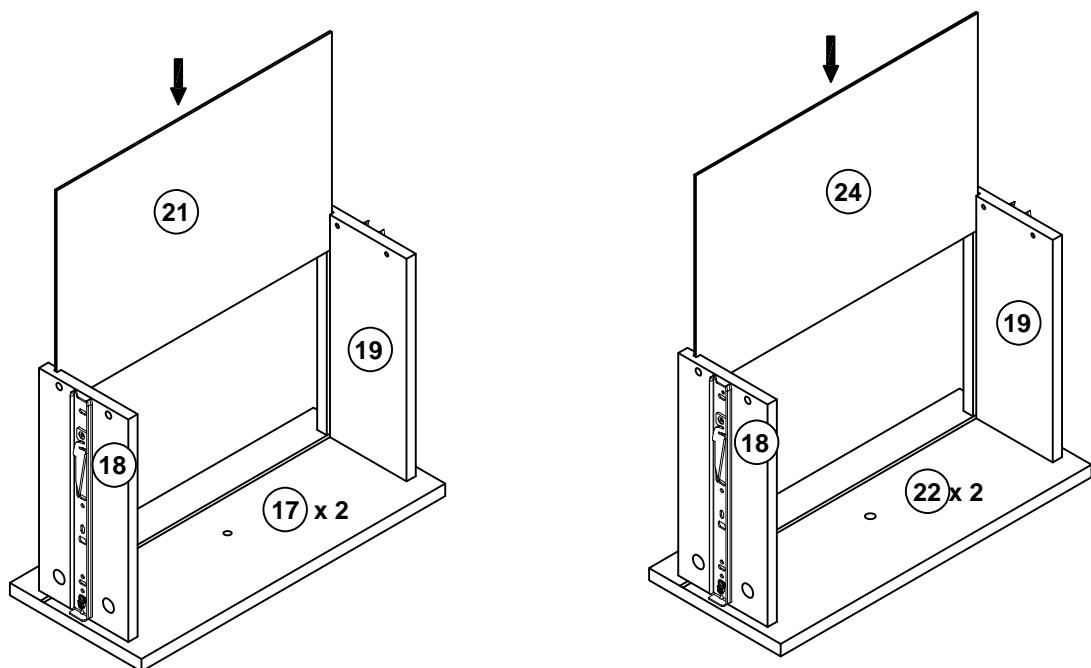
15

## STEP 21

 A x 16



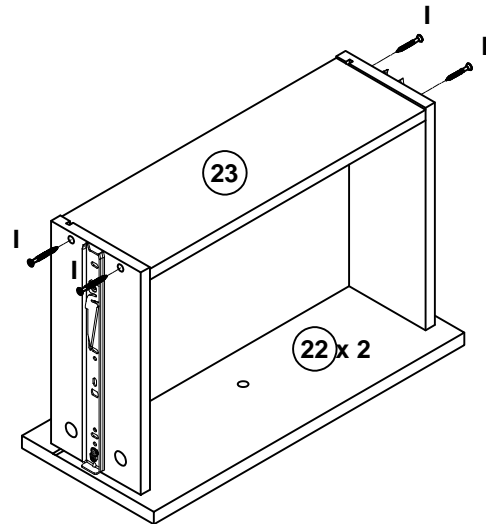
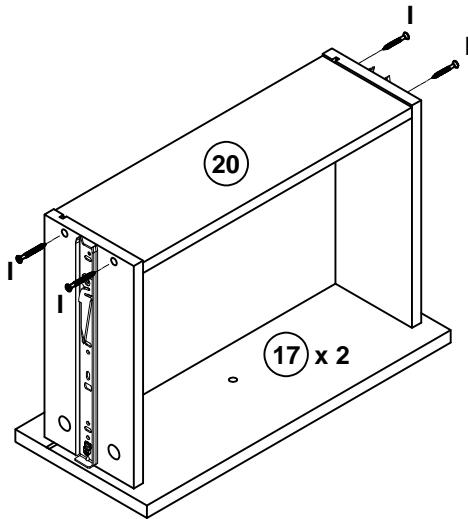
## STEP 22



# Vicissitudes

## STEP 23

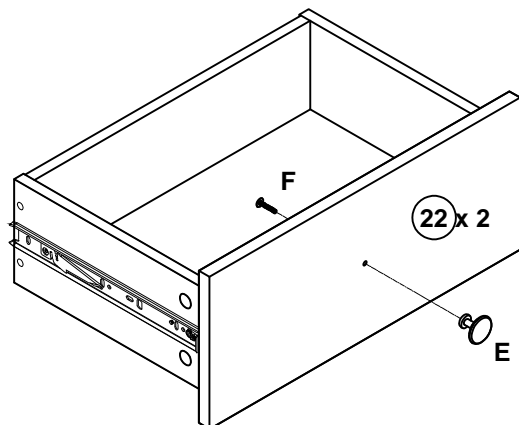
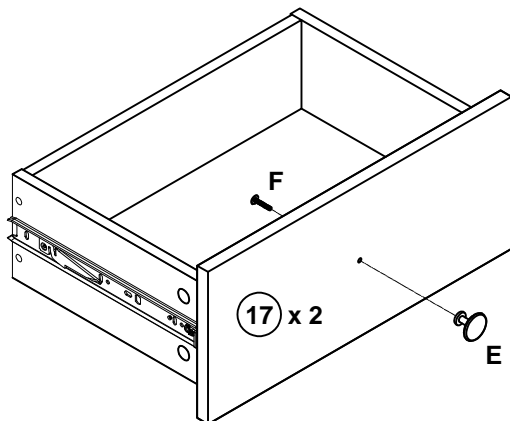
 I x 16



## STEP 24

 E x 4

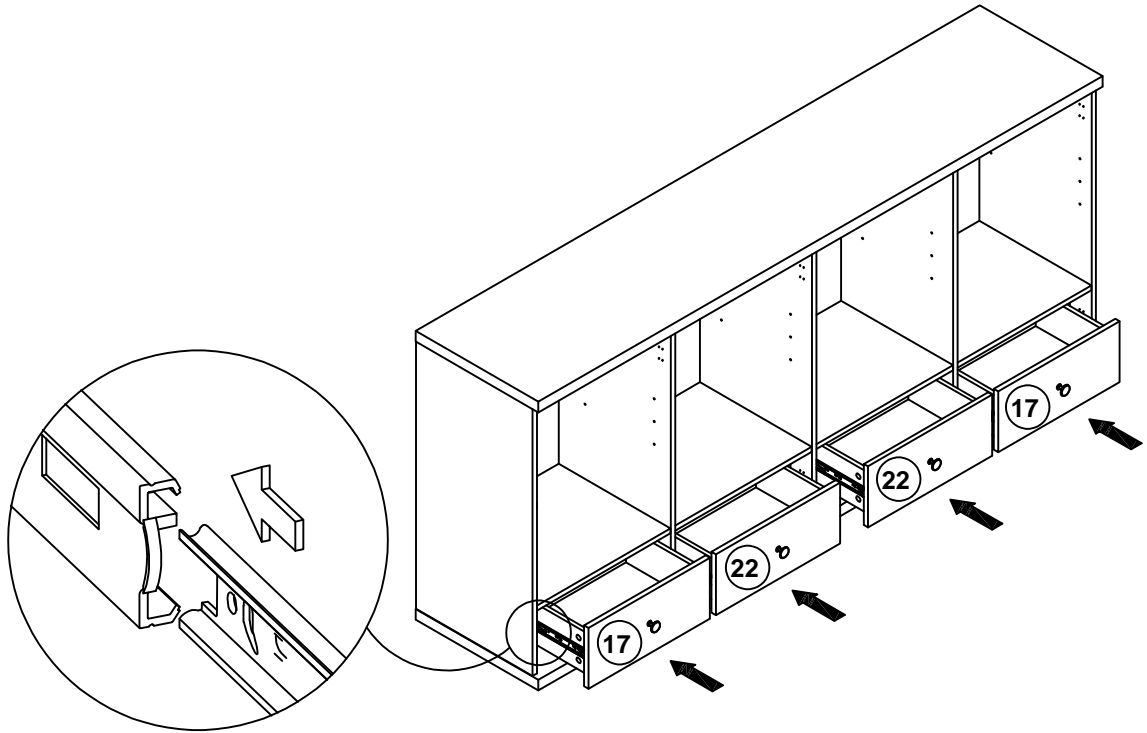
 F x 4



# Vicissitudes

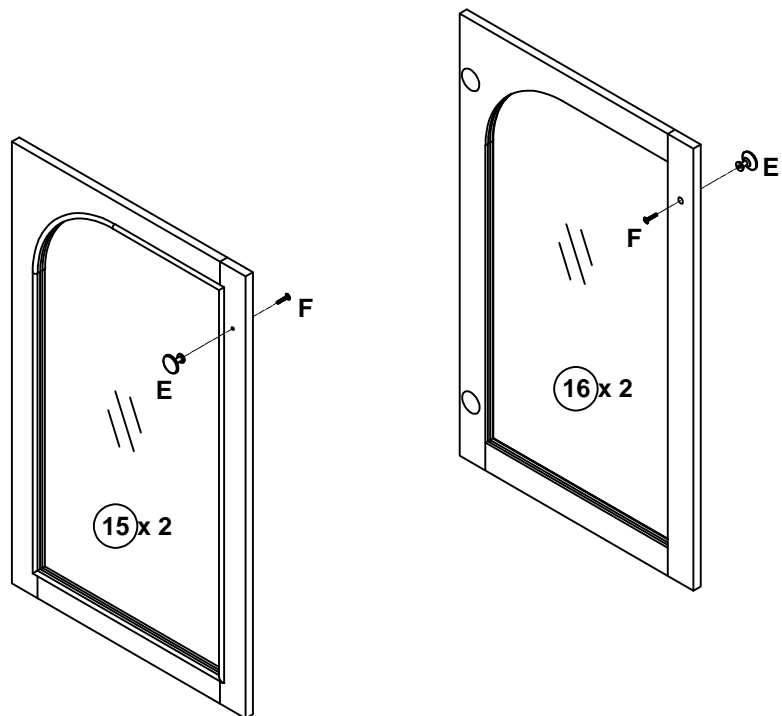
17

## STEP 25



## STEP 26

-  E x 4
-  F x 4



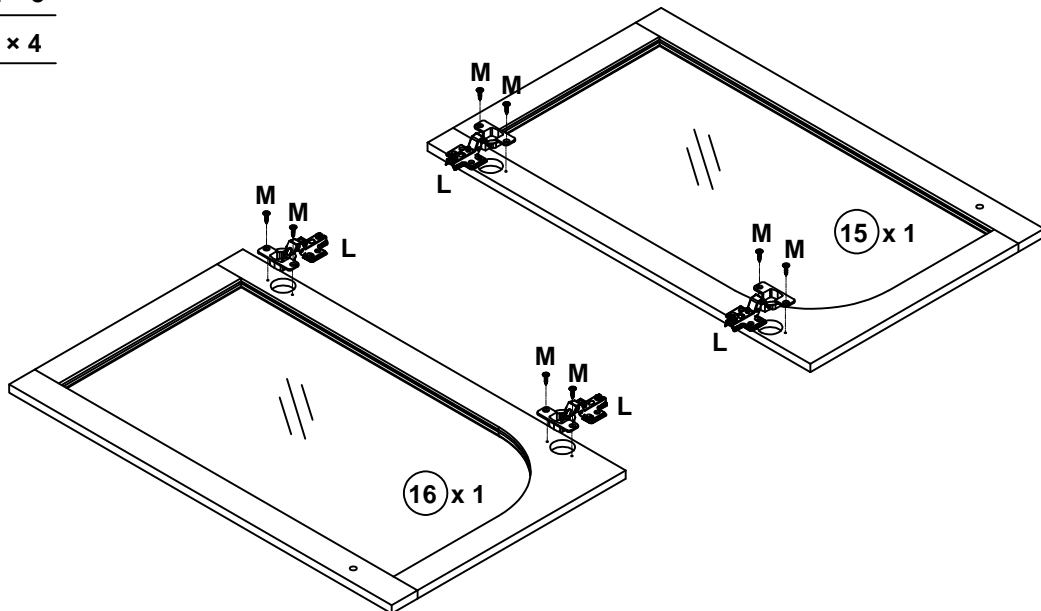
# Vicissitudes

18


## STEP 27

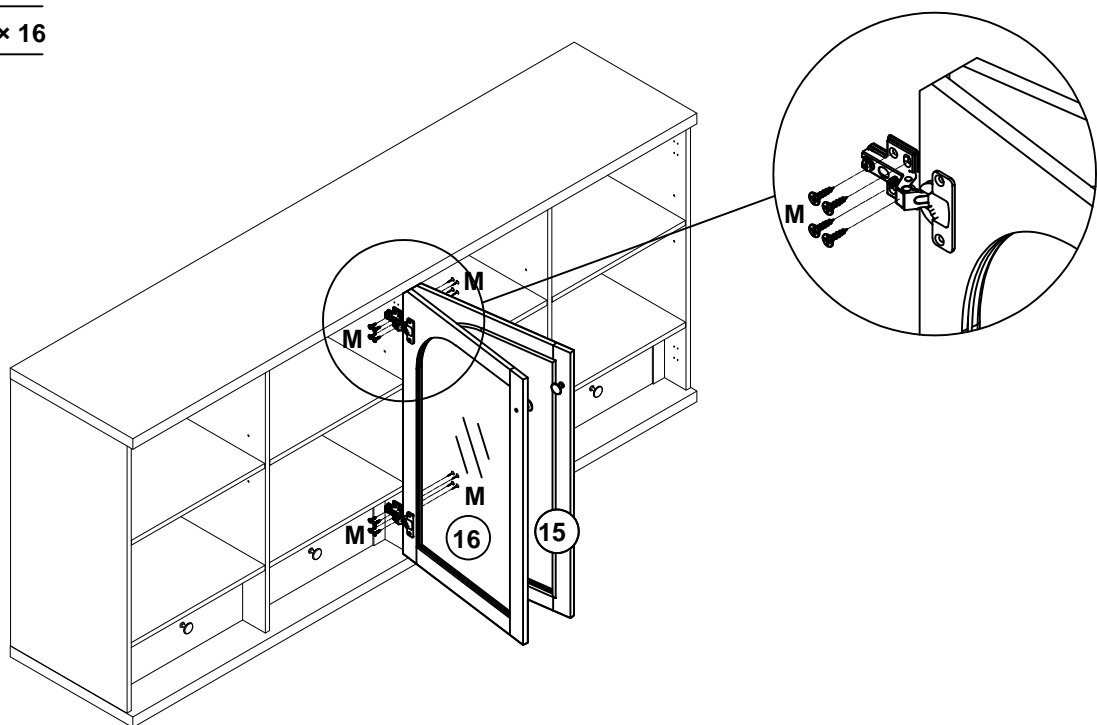
 M x 8

 L x 4



## STEP 28


 M x 16



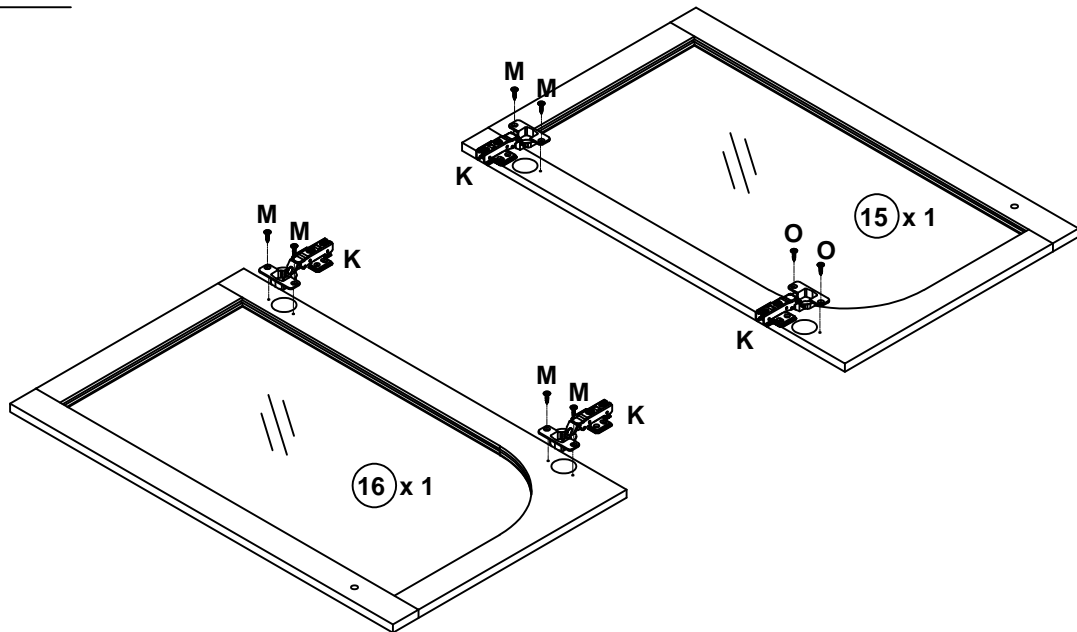
# Vicissitudes

19


## STEP 29

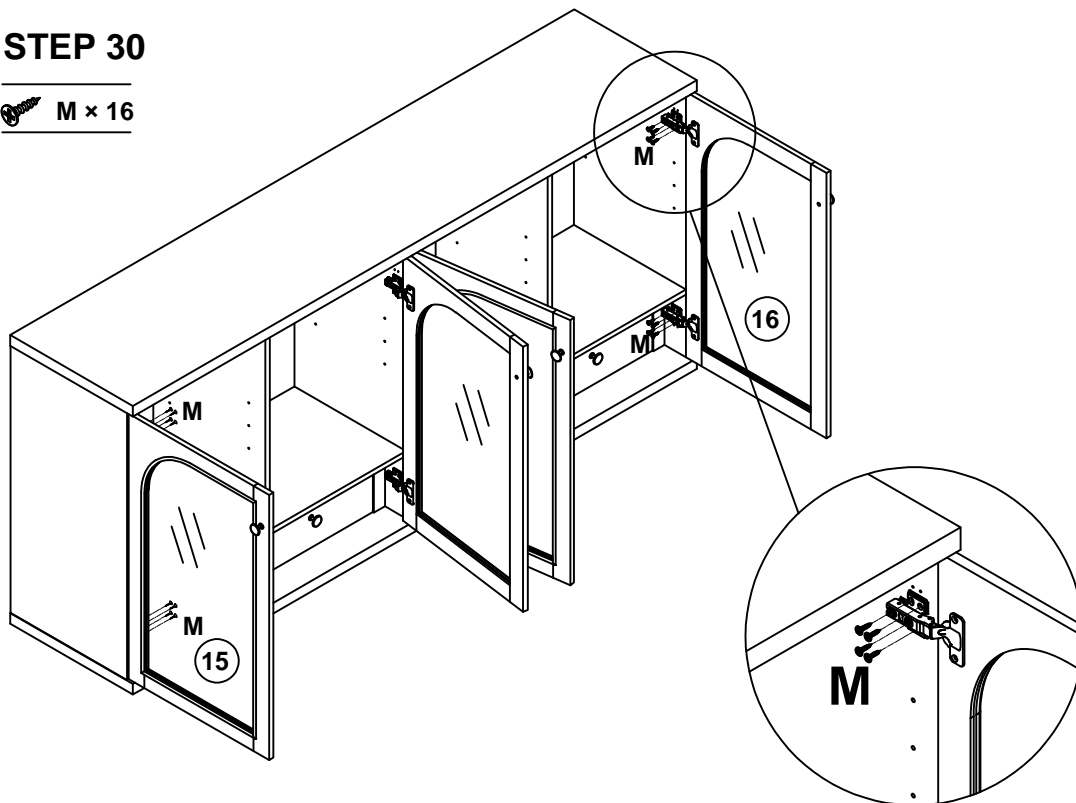
 M × 8

 K × 4



## STEP 30


 M × 16

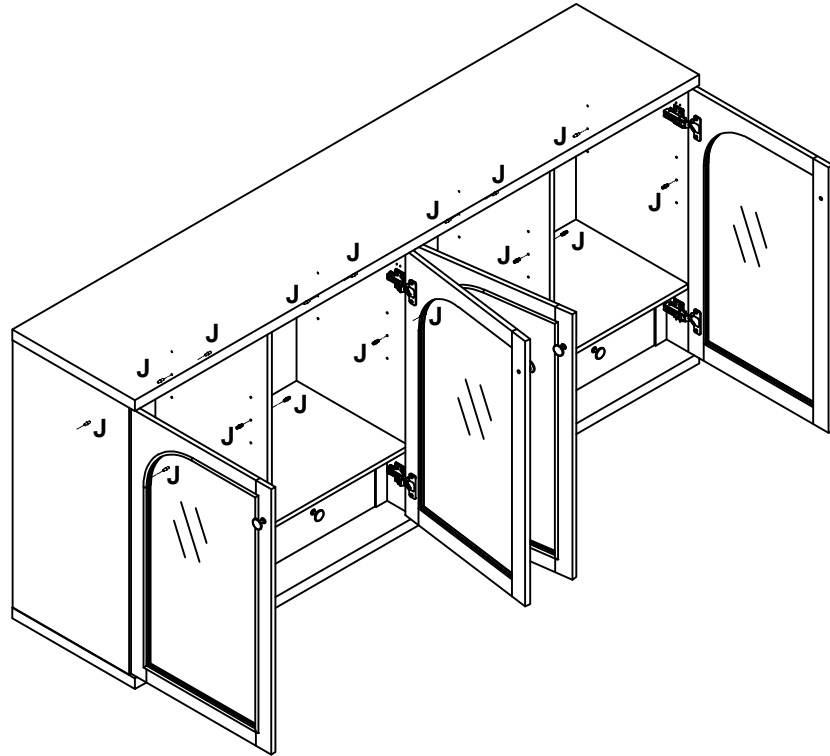


# Vicissitudes

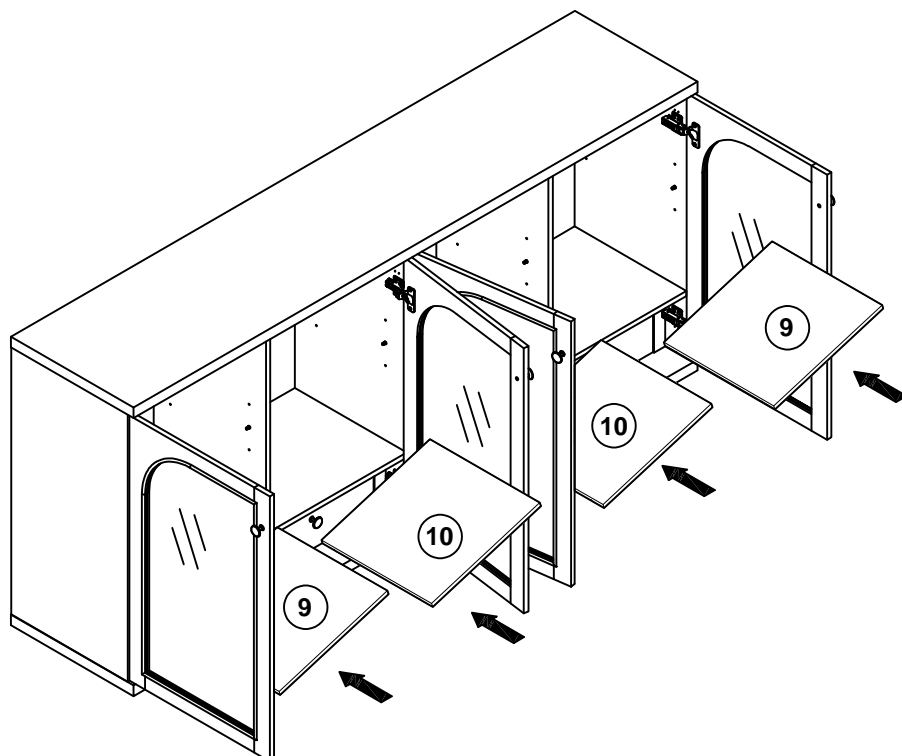
20

## STEP 31

 J x 16



## STEP 32

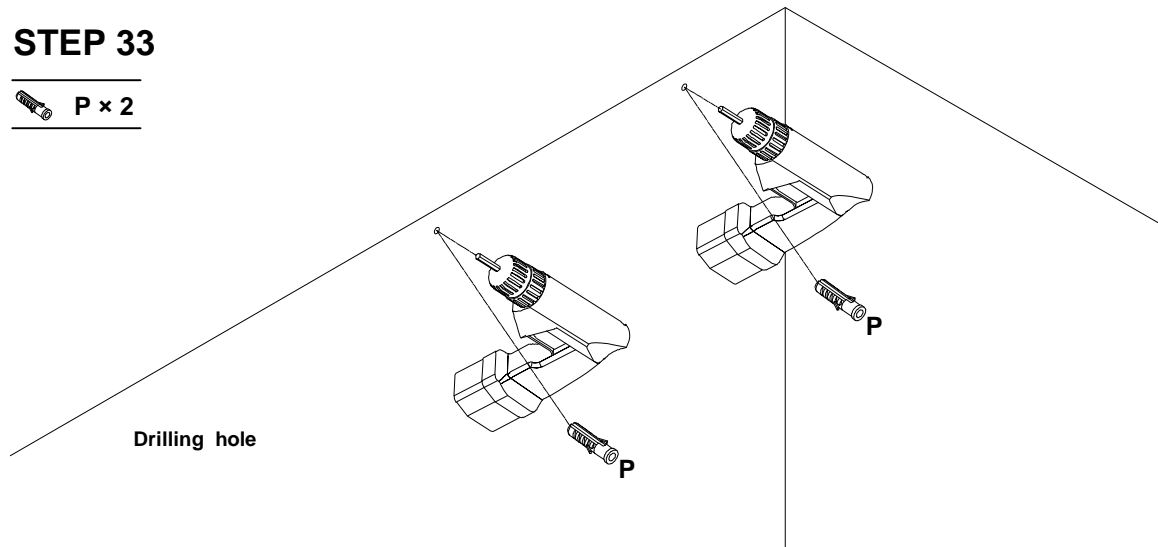


# Vicissitudes


21

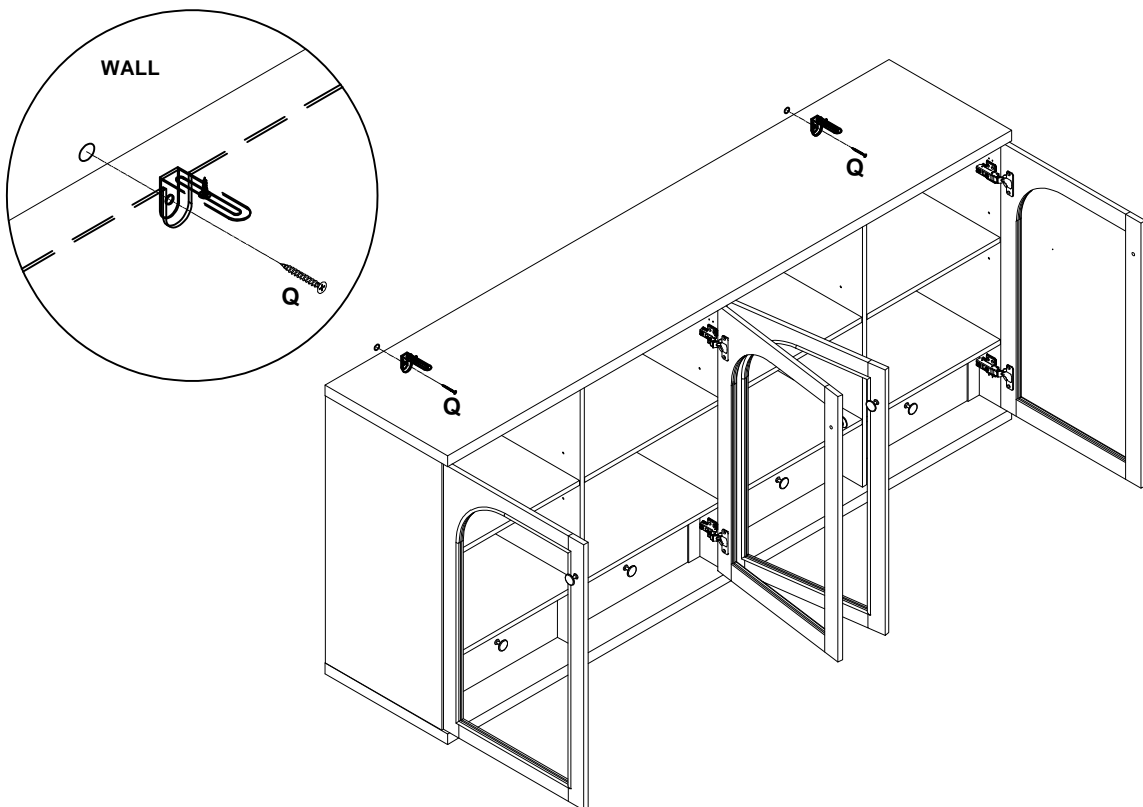
## STEP 33

 P x 2



## STEP 34

 Q x 2



## STEP 35

