

ASSEMBLY INSTRUCTIONS

350-585

TOOLS REQUIRED:

Spanner Wrench (Provided, Part D)

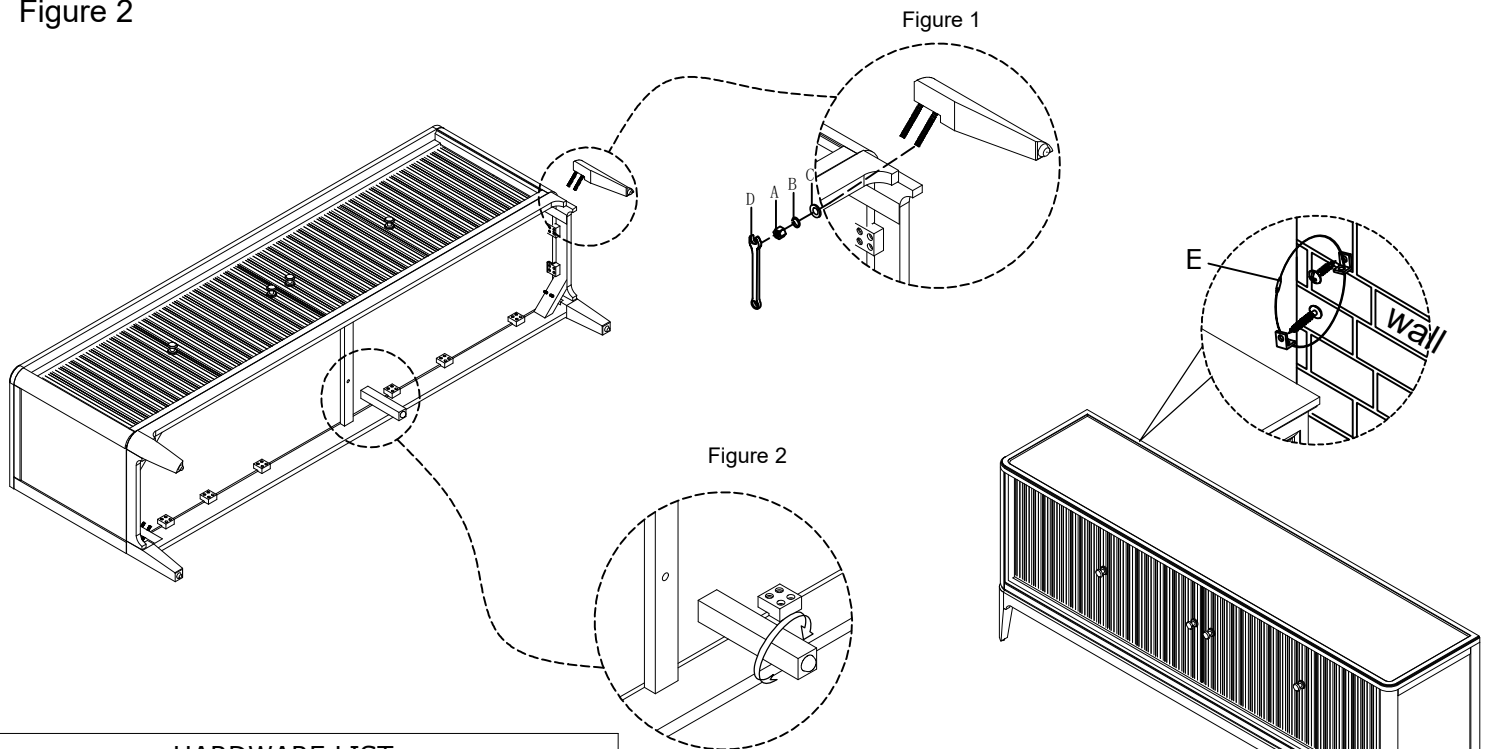
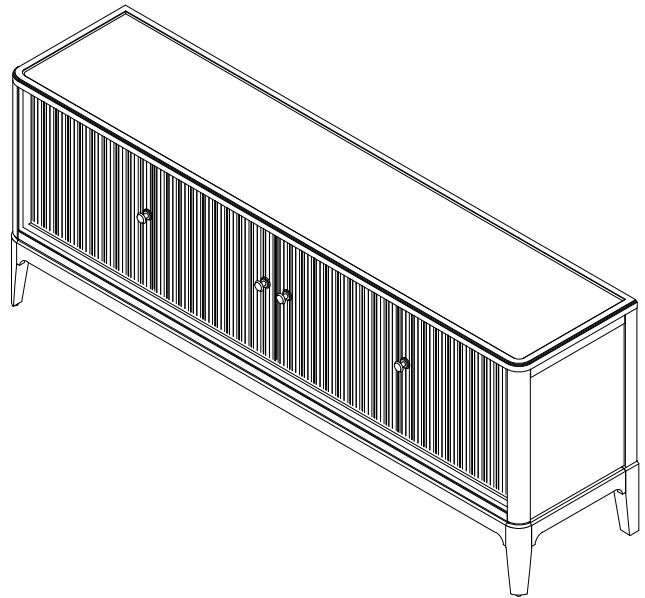
BEFORE YOU START:

1. Check the parts against the parts list to make sure all items are present.
2. Assemble your furniture on a soft, flat surface to avoid scratching the finish.
3. **CAUTION:** Do not over tighten screws, nuts or bolts during assembly.
4. Your furniture may require occasional tightening.

INSTRUCTIONS:

1. Turn the cabinet upside down on to a clean, soft surface. Attach four legs to the bottom rail and tighten Hex Nut (A) with Lock washer (B), Flat washer (C) by Spanner Wrench (D) as shown in Figure 1.

2. Attach the center leg to the bottom as shown in Figure 2



HARDWARE LIST

NO.	Drawing	Description	Q'TY
A		HEX NUT Ø5/16"	8 pcs
B		LOCK WASHER Ø5/16"	8 pcs
C		FLAT WASHER Ø5/16"*19*1.5MM	8 pcs
D		SPANNER WRENCH Ø12/160MM	1 pc
E		TIPPING RESTRAIN KIT	1Set