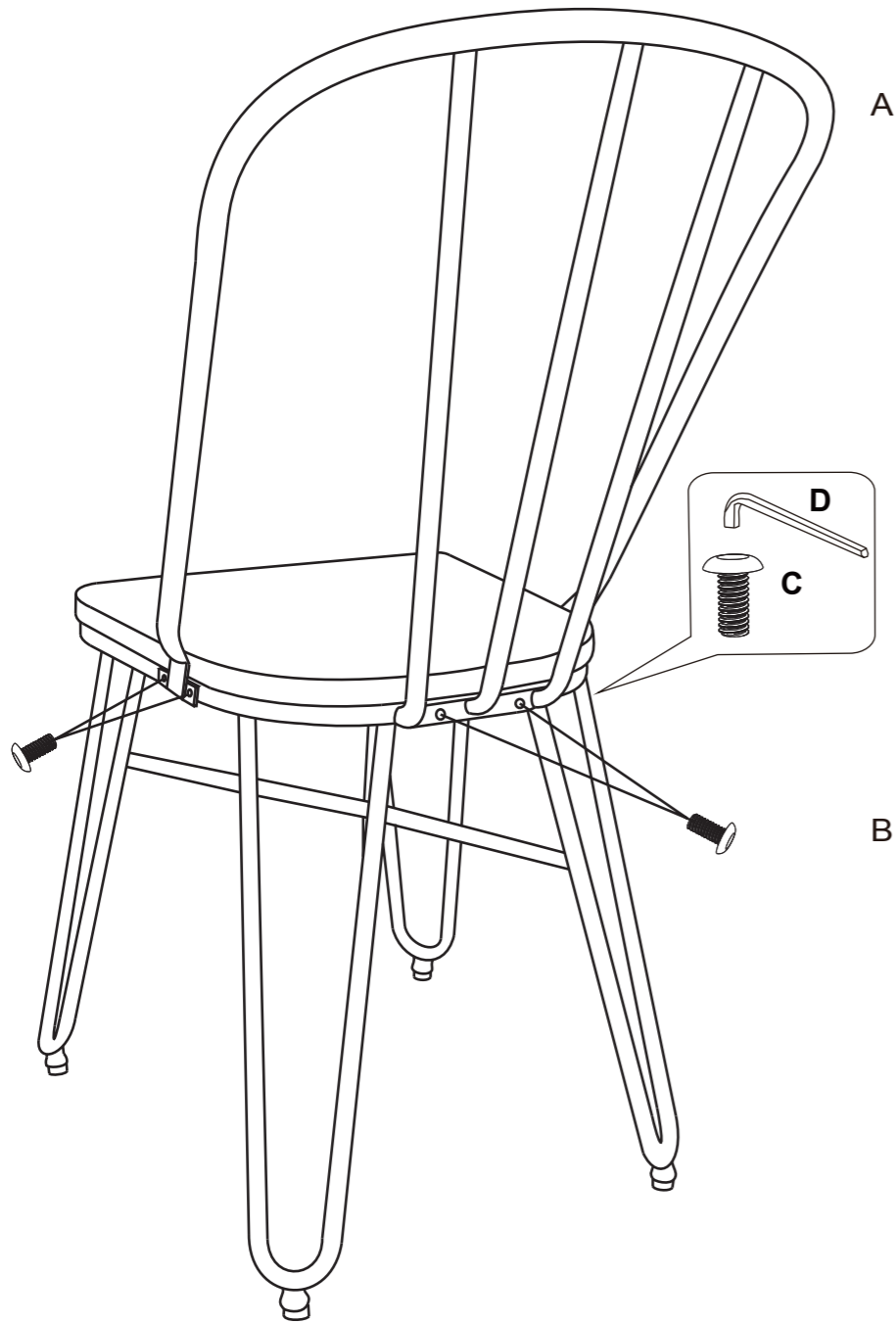
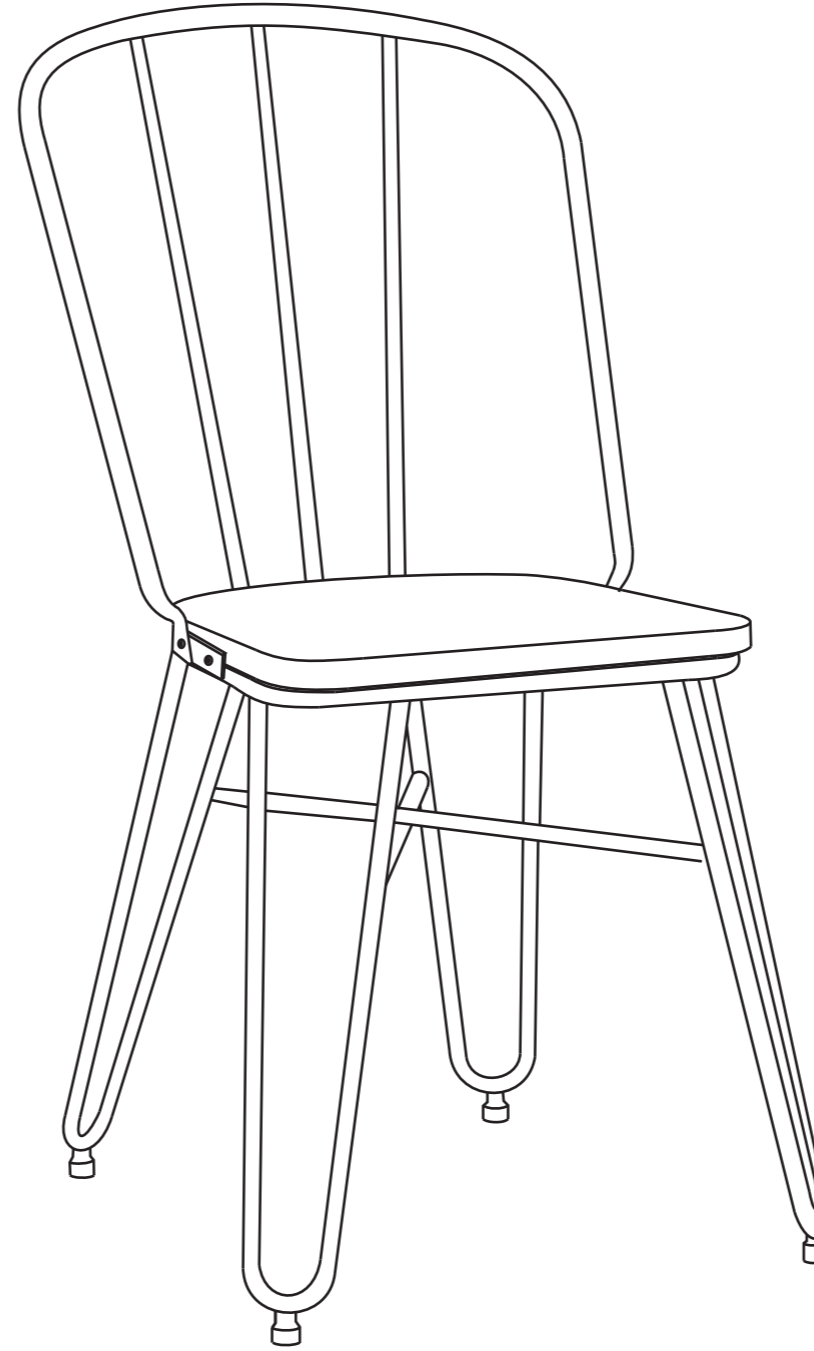


ASSEMBLY INSTRUCTION

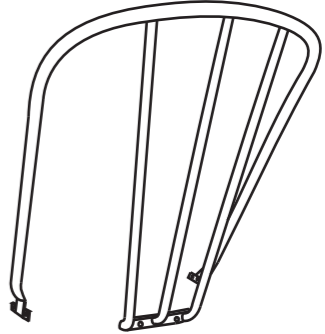

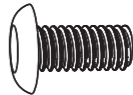

①



②



HARDWARE LIST

CODE	PARTS	QTY.
A		1PC
B		1PC
C	 M6 X 14mm	6PC
D		1PC

Tool kit is attached to the backrest