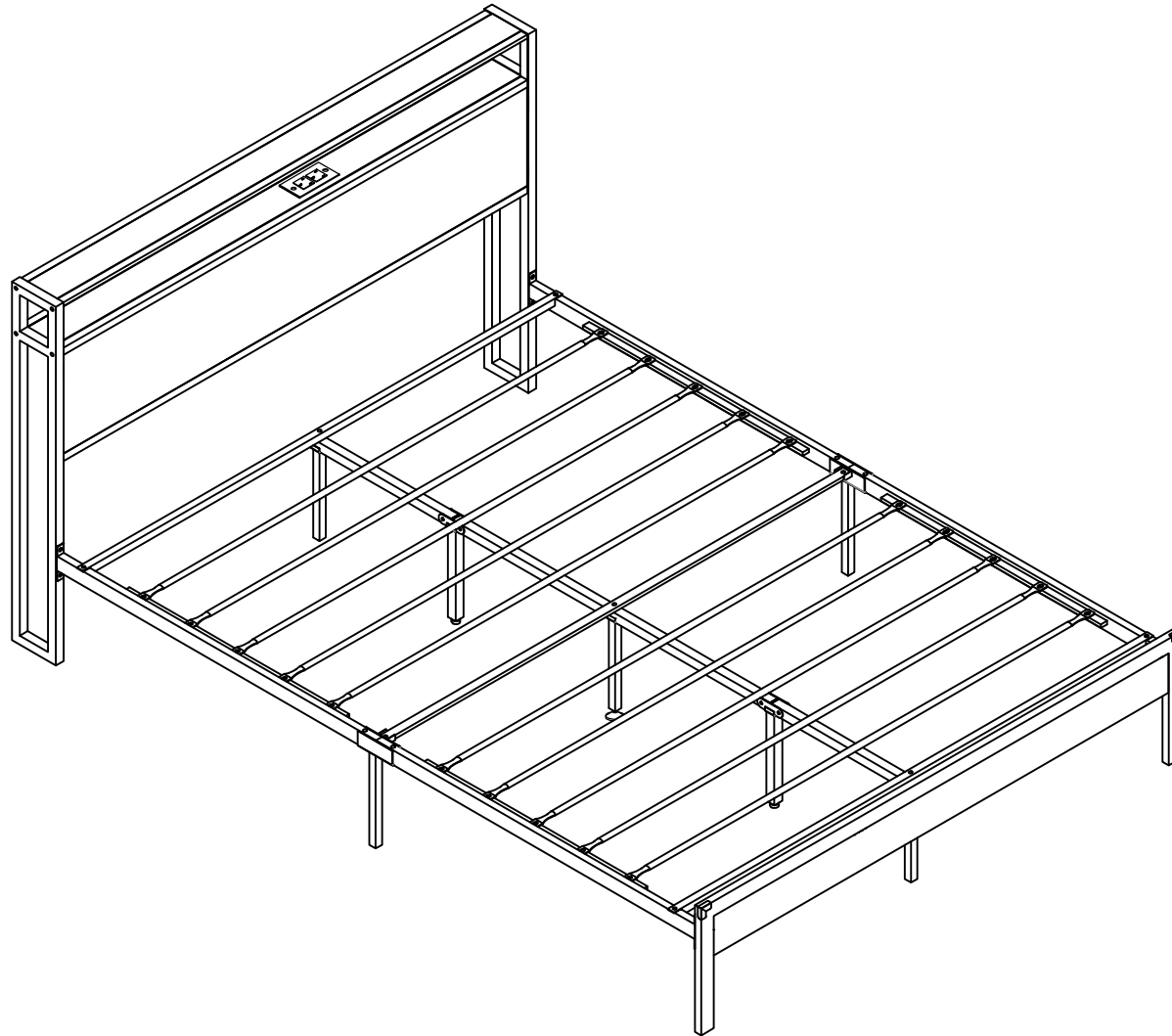
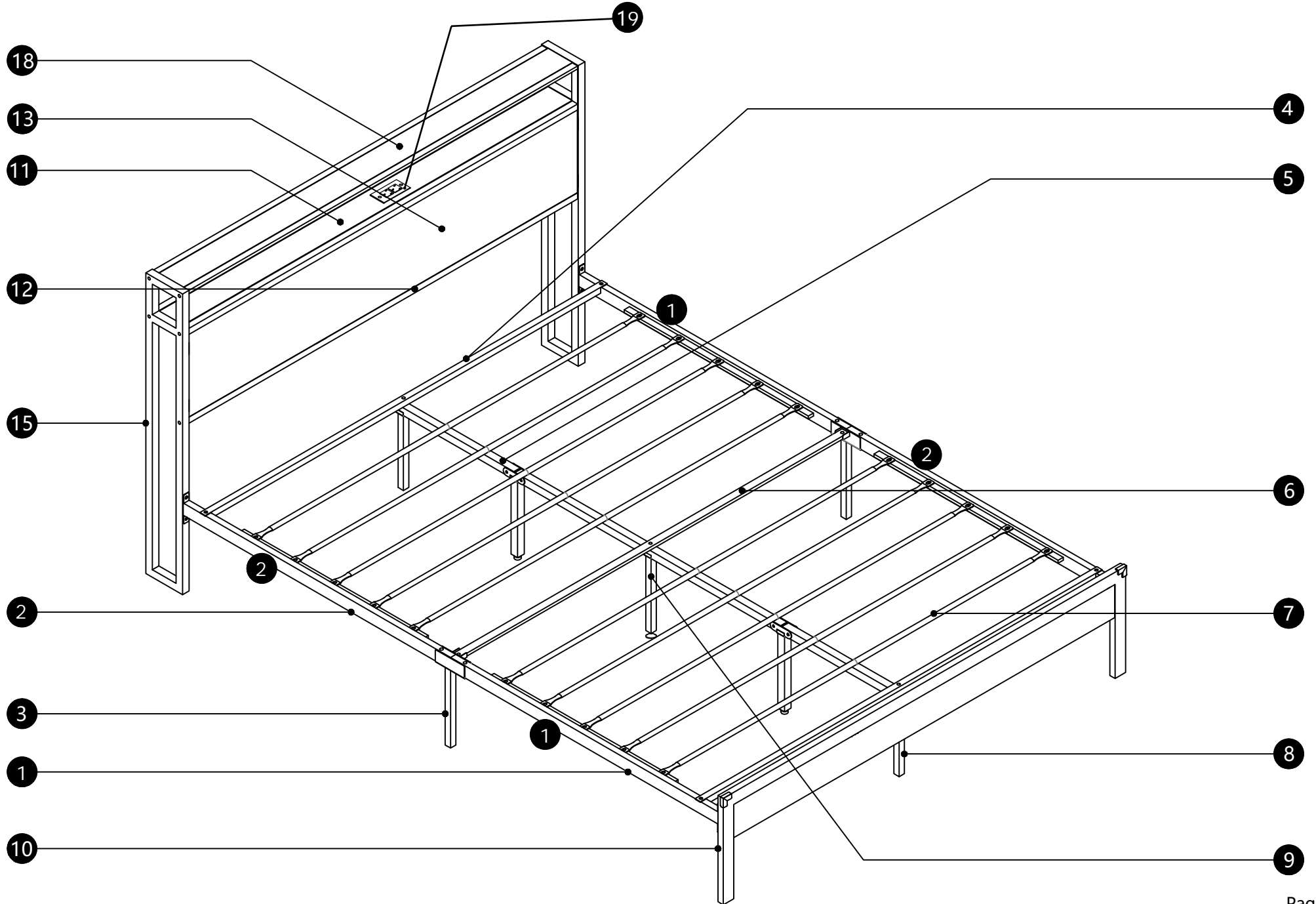


# Assembly Instruction




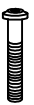



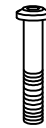
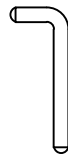
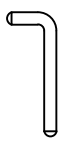
**Please don't tighten the screws completely and go back later for a final tightening of all the screws after pieces are aligned with each other.**

# Assembly Instruction

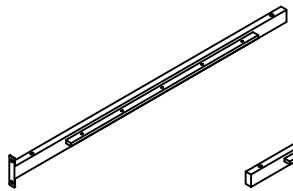
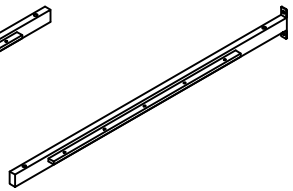

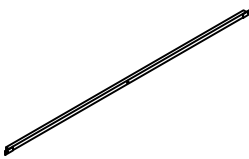
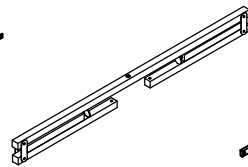
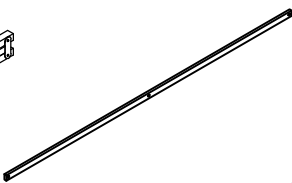
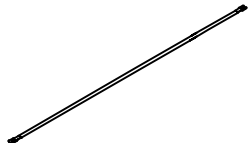
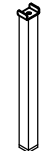

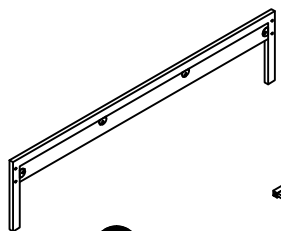
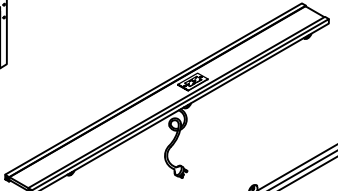
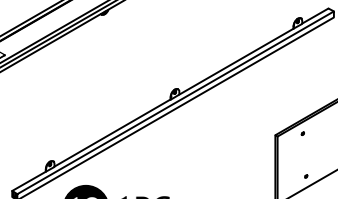
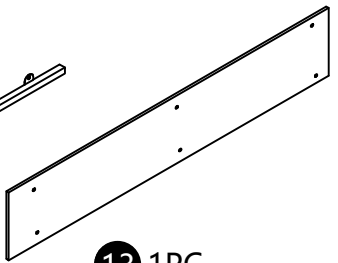
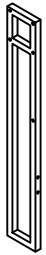
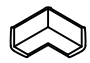

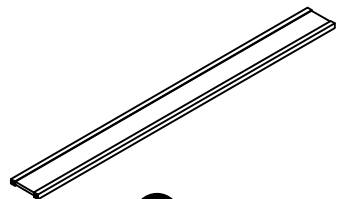



# Assembly Instruction

## Hardware arts

- |   |   |   |   |   |   |   |   |
|---|---|---|---|---|---|---|---|
|  |  |  |  |  |  |  |  |
| M6*15   | M6*45   | M8*13   | M4*10   | M8*20   | M8*55   | M8  | M6  |
| <b>A</b> 20PCS  | <b>B</b> 10PCS  | <b>C</b> 6PCS   | <b>D</b> 2PCS   | <b>E</b> 14PCS  | <b>F</b> 7PCS   | <b>G</b> 1PC  | <b>H</b> 1PC  |

## Part list

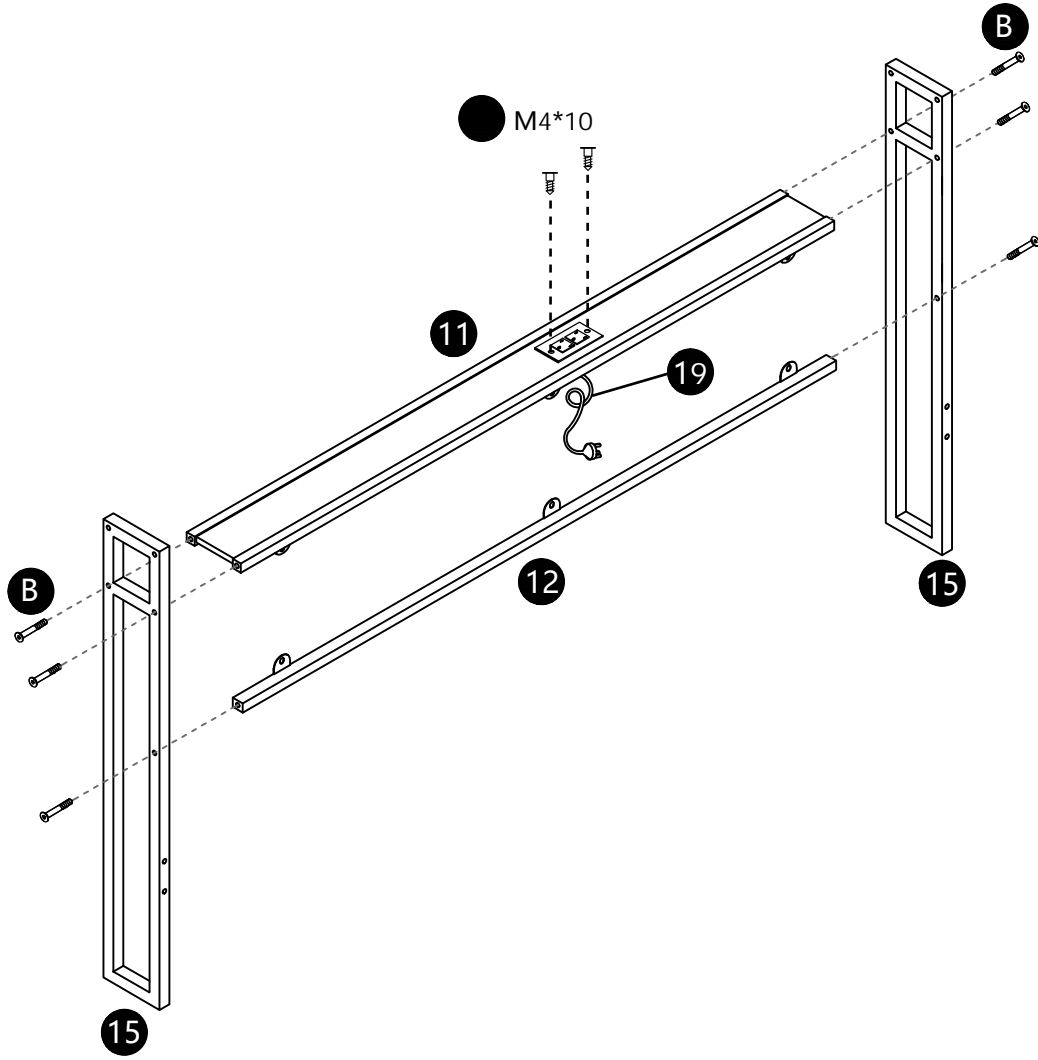
- |   |   |   |  |   |   |   |   |   |
|---|---|---|--|---|---|---|---|---|
|    |    |    |    |    |    |    |    |  |
| <b>1</b> 2PCS   | <b>2</b> 2PCS   | <b>3</b> 2PCS   | <b>4</b> 2PCS  | <b>5</b> 1 PC   | <b>6</b> 1PC  | <b>7</b> 10PCS  | <b>8</b> 2PCS   | <b>9</b> 1PC  |
|   |  |  |  |  |  |  |  |   |
| <b>10</b> 1PC   | <b>11</b> 1PC   | <b>12</b> 1PC   | <b>13</b> 1PC  | <b>15</b> 2PCS  | Crash pads<br><b>16</b> 2PCS  | Double faced adhesive tape<br><b>17</b> 4PCS  | <b>18</b> 1PC   |   |
|  | <b>19</b> 1PC   |   |  |   |   |   |   |   |

# Assembly Instruction

Step:1

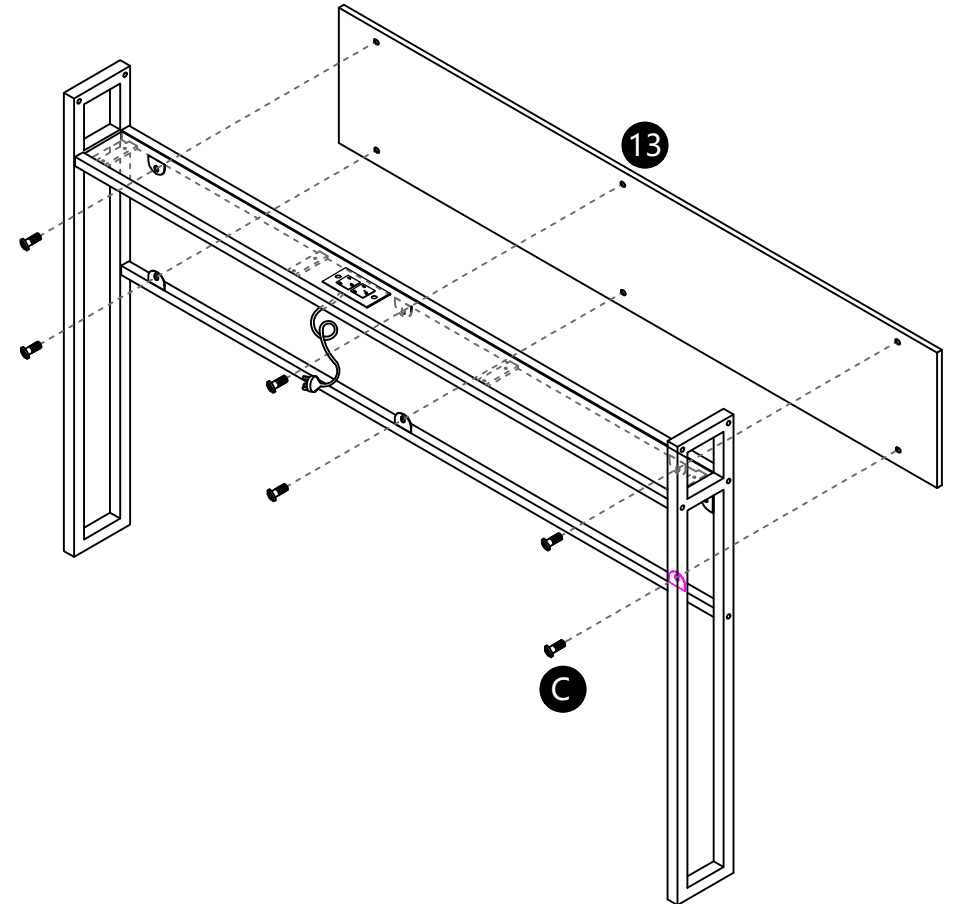
M6\*45 **B** X 6PCS

M4\*10 **●** X 2PCS



Step:2

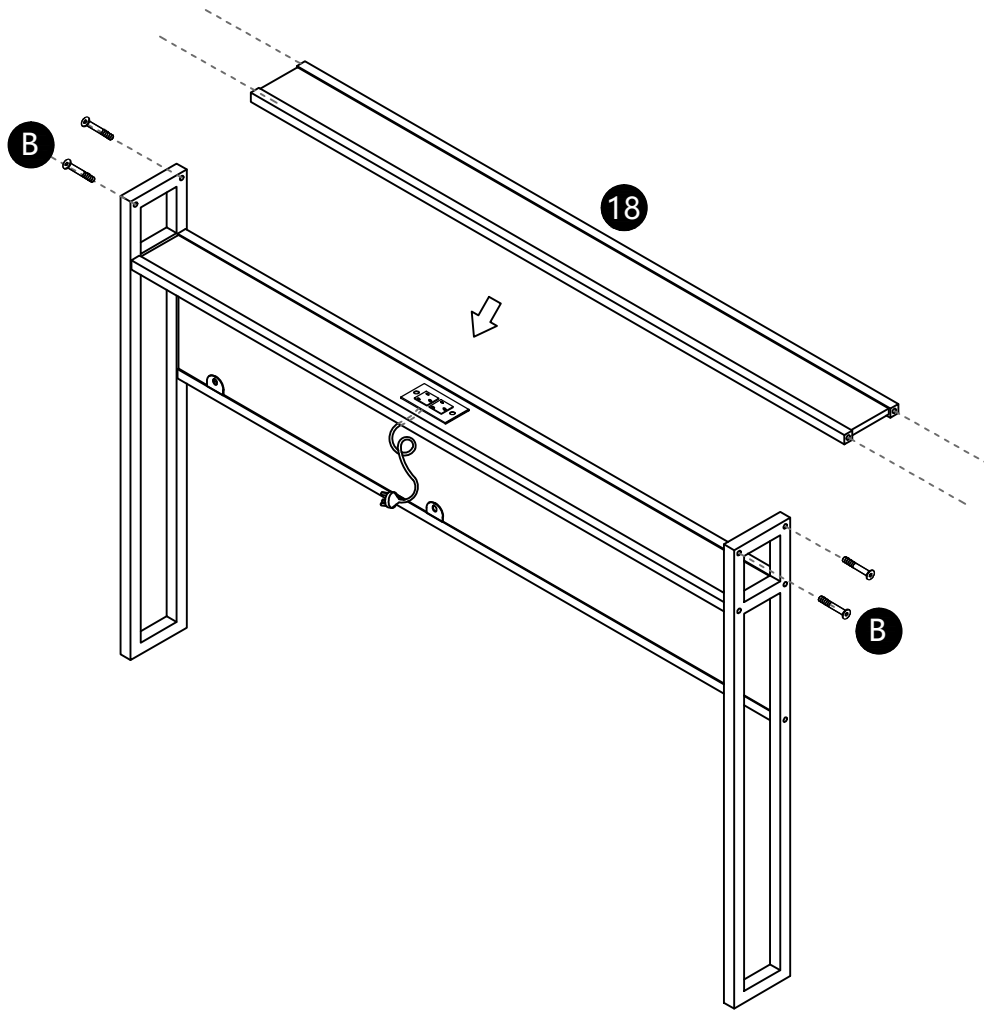
M8\*13 **C** X 6PCS



# Assembly Instruction

Step:3

 M6\*45 **B** X 4PCS

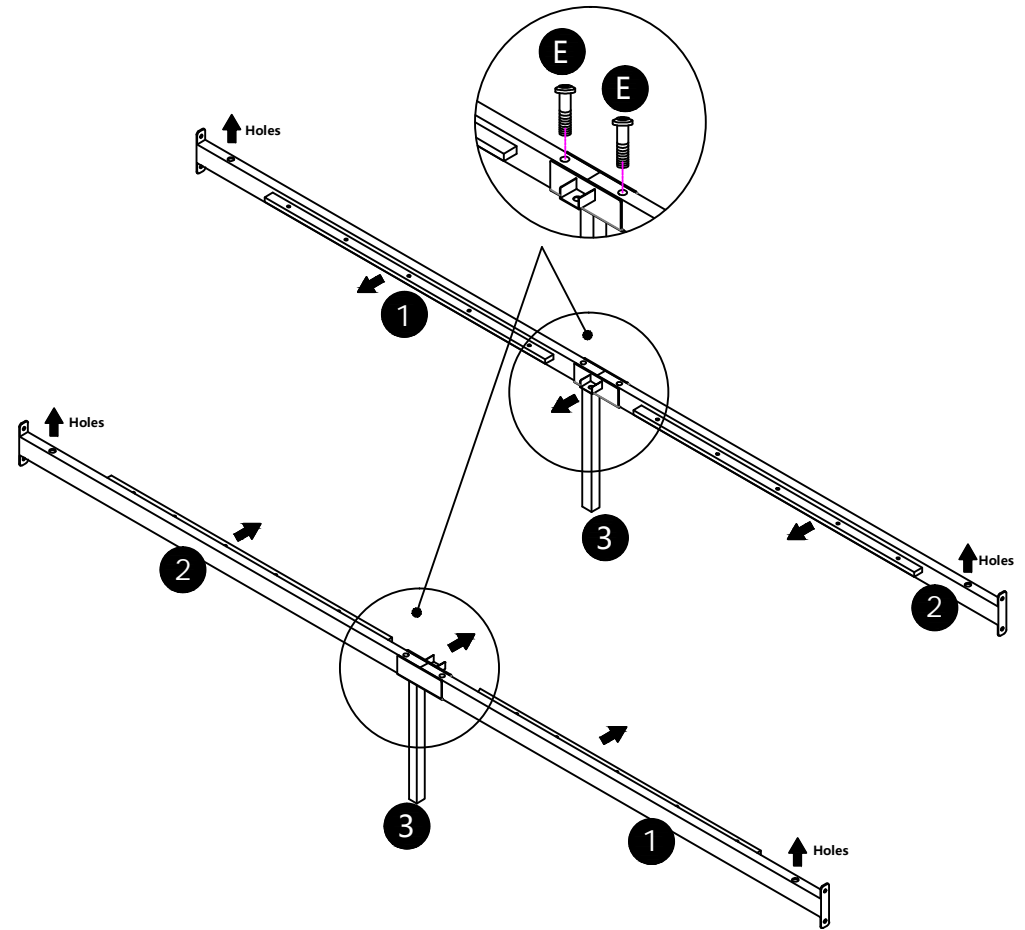


Step:4

 M8\*55 **E** X 4PCS



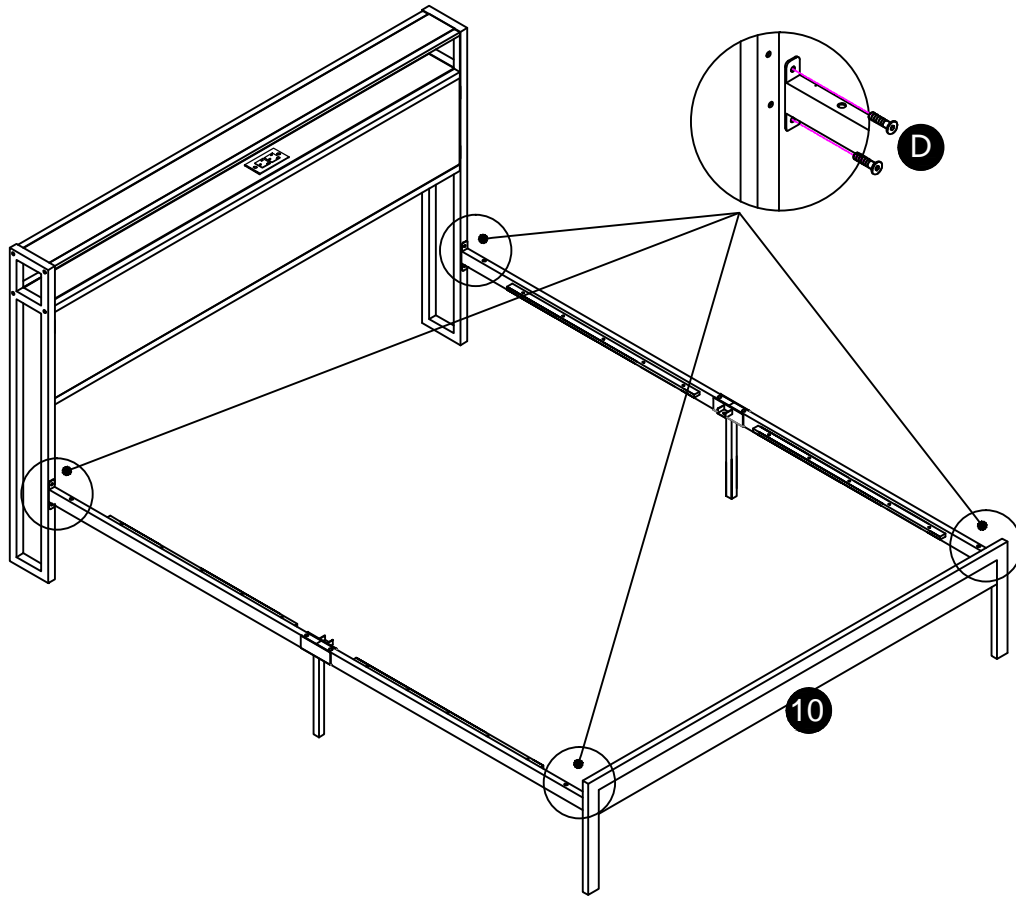
Please pay attention to the direction arrow in the illustration to avoid reverse installation



# Assembly Instruction

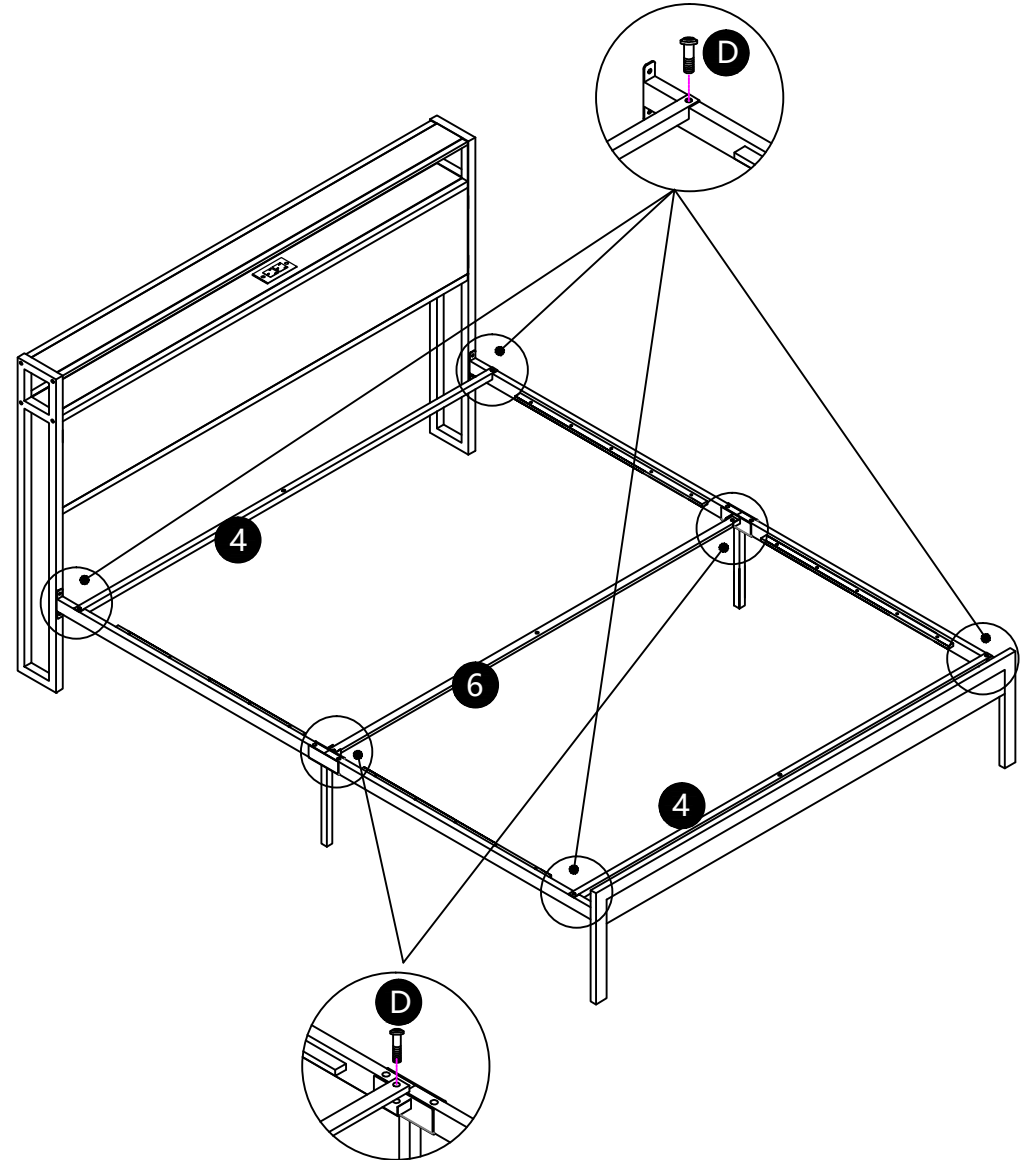
Step:5

 M8\*20 **D** X 8PCS



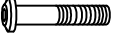
Step:6

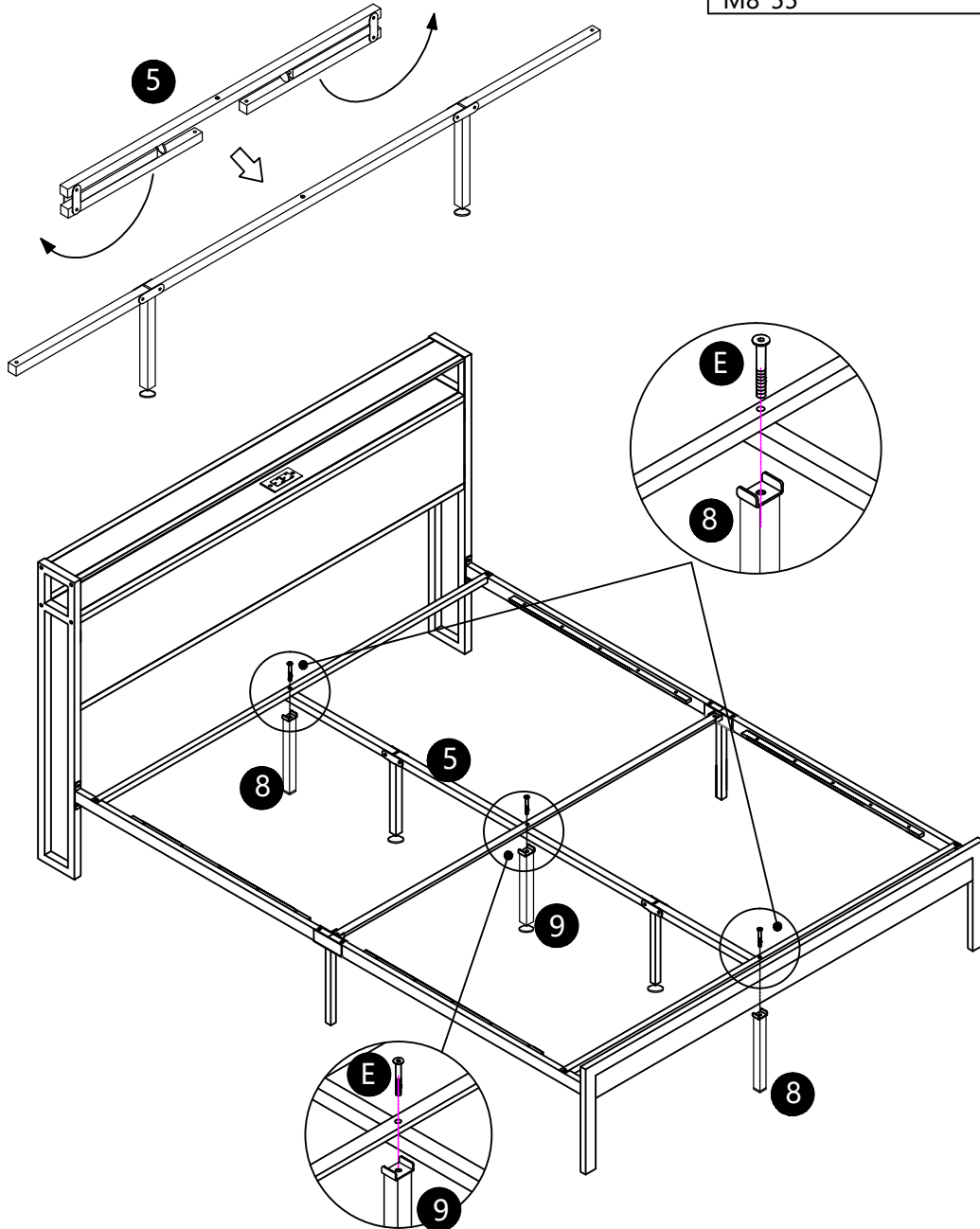
 M8\*20 **D** X 6PCS



# Assembly Instruction

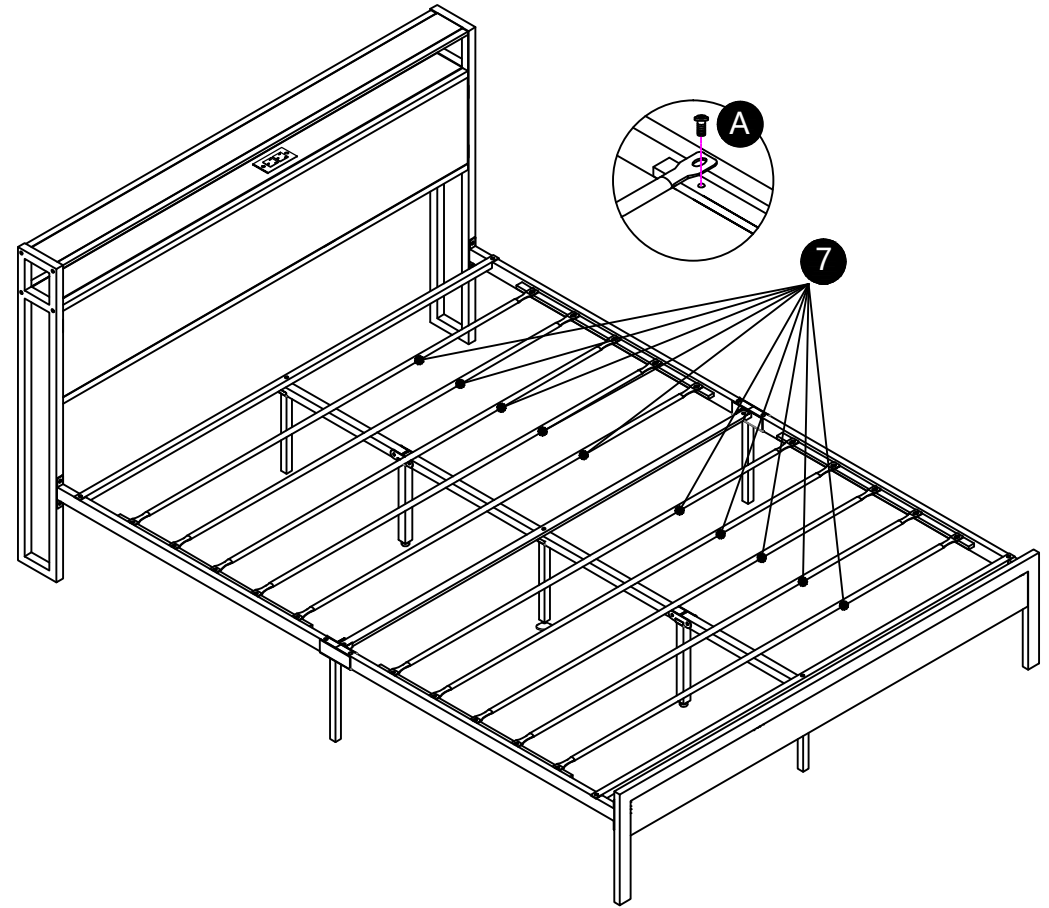
Step:7

 **E** X 3PCS  
M8\*55



Step:8

 **A** X 20PCS  
M6\*15



# Assembly Instruction

There is a small sealing pocket in the package. There are two pieces of double-sided adhesive tape and two crash pads in the sealing pocket. As shown in the figure below.

