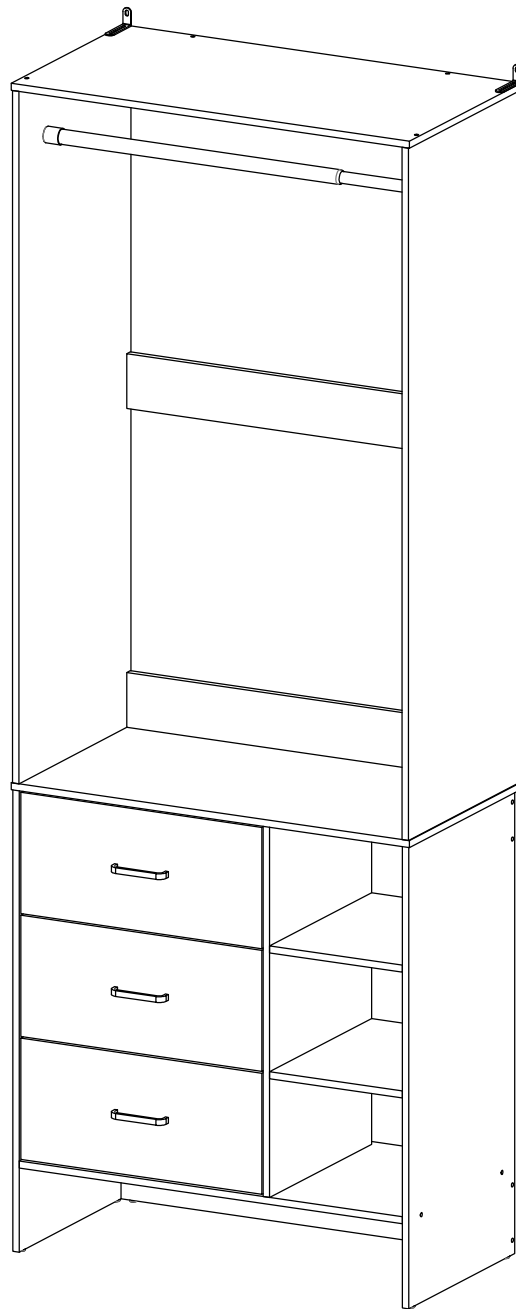


ASSEMBLY INSTRUCTION



(Note:Two people are recommended to install, which will greatly improve your installation efficiency.)

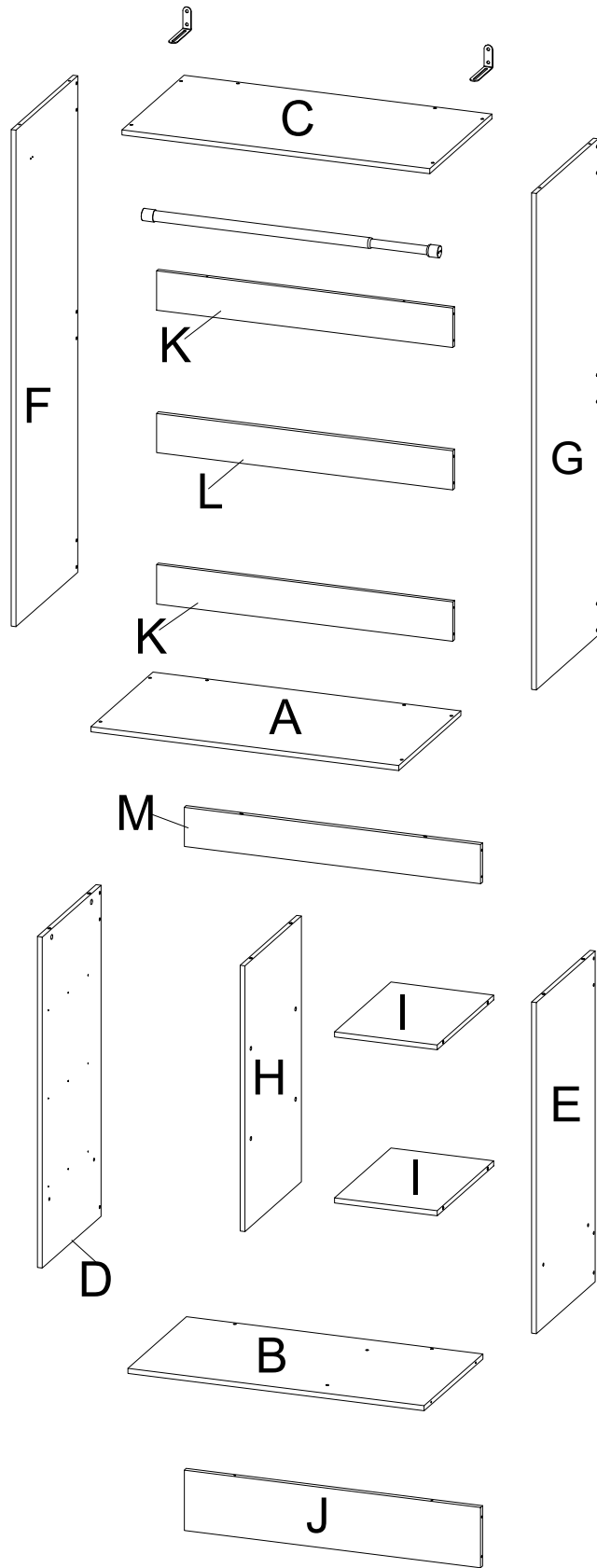
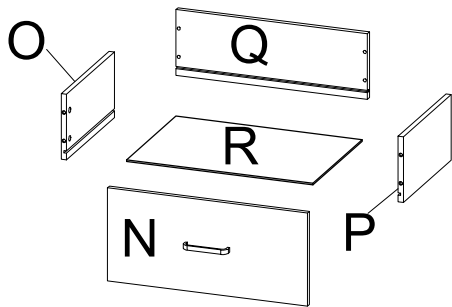
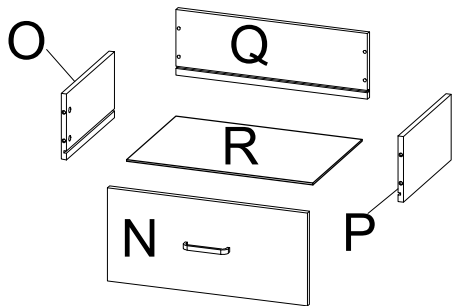
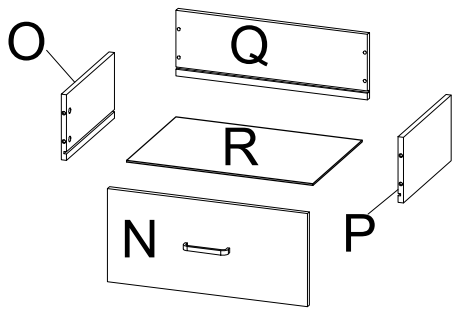
Thank you for purchasing our products.

As a reliable seller, we have been pursuing to provide customers with 100% satisfied products and services, so we hope that you will enjoy this shopping experience.

If you find any damage, missing parts, or dissatisfaction after receiving the product, please feel free to contact us the first time, We will provide you with a 100% satisfactory solution.

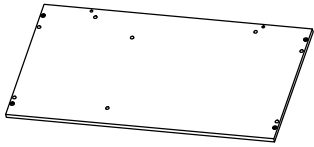
TIPS:

1. Please read this instruction manual carefully, follow it step by step and pay attention to the notes, you will assemble it quickly, safely and correctly.
2. Two people are recommended to install, which will greatly improve your installation efficiency.
3. Put the screws in loosely until all pieces are together and then tighten them all. It will save your time if you make a mistake while installing

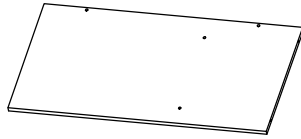


PART LIST

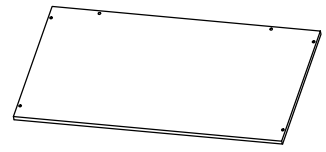
A x 1pc



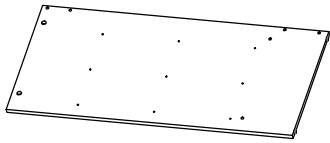
B x 1pc



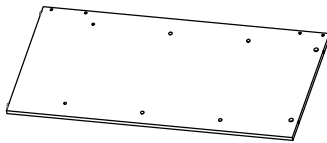
C x 1pc



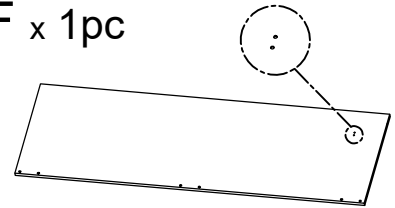
D x 1pc



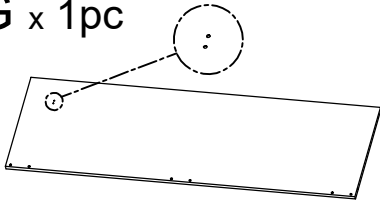
E x 1pc



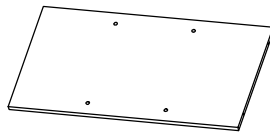
F x 1pc



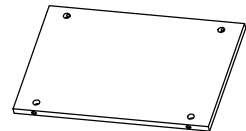
G x 1pc



H x 1pc



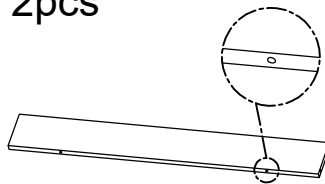
I x 2pcs



J x 1pc



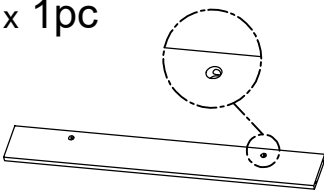
K x 2pcs



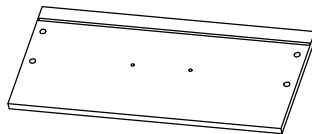
L x 1pc



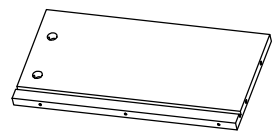
M x 1pc



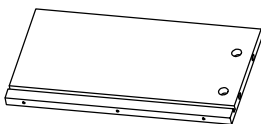
N x 3pcs



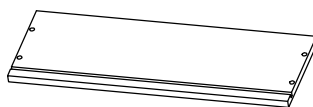
O x 3pcs



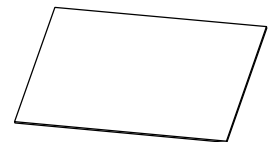
P x 3pcs



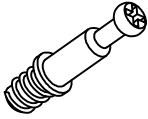

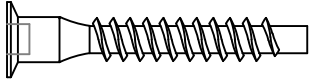



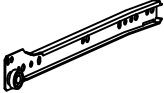
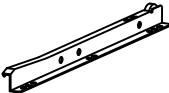
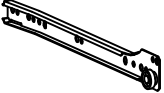
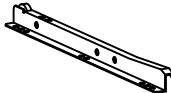
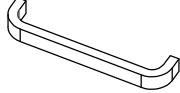

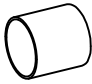
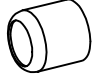
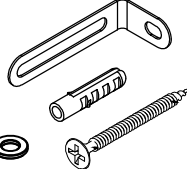
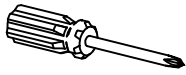

Q x 3pcs



R x 3pcs



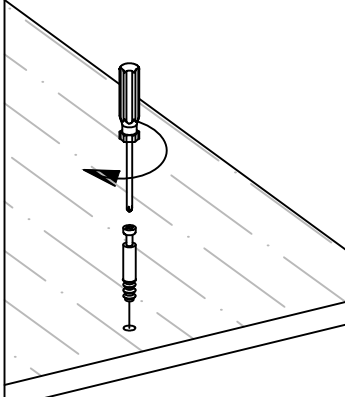
HARDWARE LIST

<p style="text-align: center;">①</p>  <p>M6x28 28 pcs</p>	<p style="text-align: center;">②</p>  <p>Ø12 28 pcs</p>	<p style="text-align: center;">③</p>  <p>M6x40 52 pcs</p>	<p style="text-align: center;">④</p>  <p>M4x16 6 pcs</p>
<p style="text-align: center;">⑤</p>  <p>M4x12 4 pcs</p>	<p style="text-align: center;">⑥</p>  <p>M3x12 36 pcs</p>	<p style="text-align: center;">⑦</p>  <p>300L 3 pcs</p>	<p style="text-align: center;">⑧</p>  <p>300L 3 pcs</p>
<p style="text-align: center;">⑨</p>  <p>300L 3 pcs</p>	<p style="text-align: center;">⑩</p>  <p>300L 3 pcs</p>	<p style="text-align: center;">⑪</p>  <p>3 pcs</p>	<p style="text-align: center;">⑫</p>  <p>56-100cm 1 pc</p>
<p style="text-align: center;">⑬</p>  <p>1 pc</p>	<p style="text-align: center;">⑭</p>  <p>1 pc</p>	<p style="text-align: center;">⑮</p>  <p>M4x40 2 pcs</p>	<p style="text-align: center;">⑯</p>  <p>1 pc</p>
<p style="text-align: center;">⑰</p>  <p>M4 1 pc</p>			

How to install Camlocks

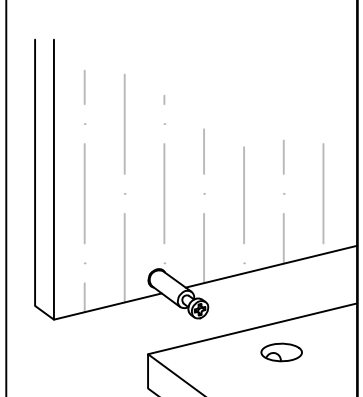
Connect the male camlock as directed in the assembly instructions with a screwdriver.

1 DO NOT OVER TIGHTEN



Put the male camlock into the entry hole.

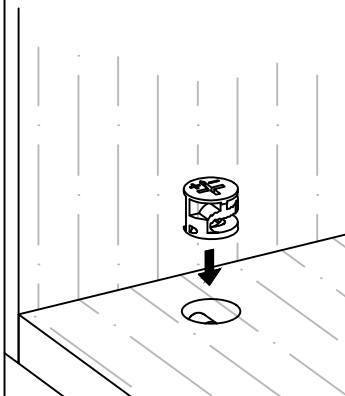
2



Insert the female camlock as shown in the instruction.

Note: ensure that the arrow on the top of the camlock points toward the entry hole for the male camlock.

3

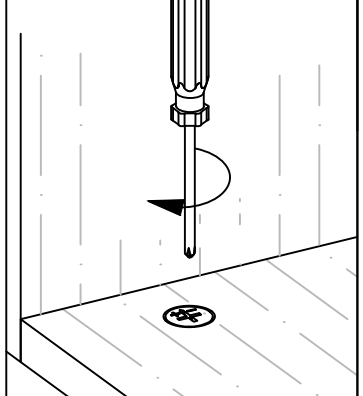


Screw the female camlock clockwise with a screwdriver.

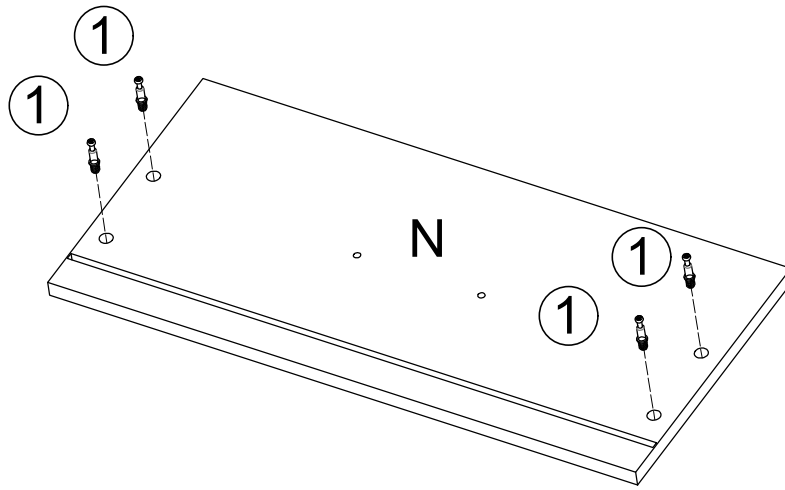
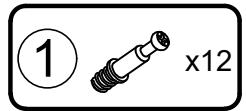
You will feel a click when the camlock is locked in place.

The camlock is now completed.

4

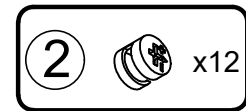


STEP 1

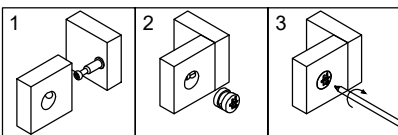
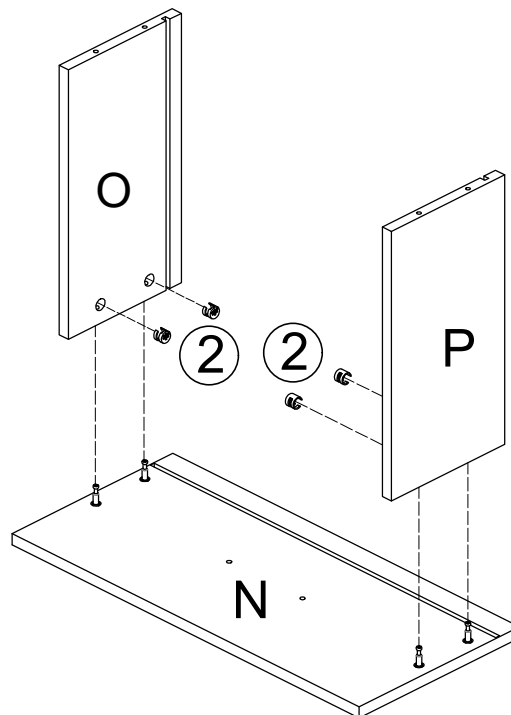


X3

STEP 2



X3

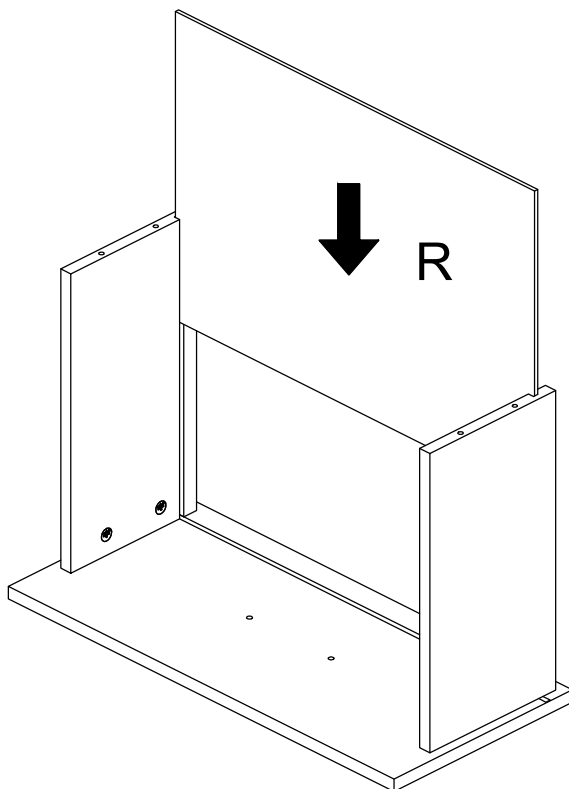


Cam Lock Fastening System

Please point the arrow upward to the mounting hole when installing Part ②, then use screwdriver to tighten it in the "+" direction.

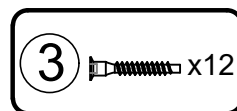
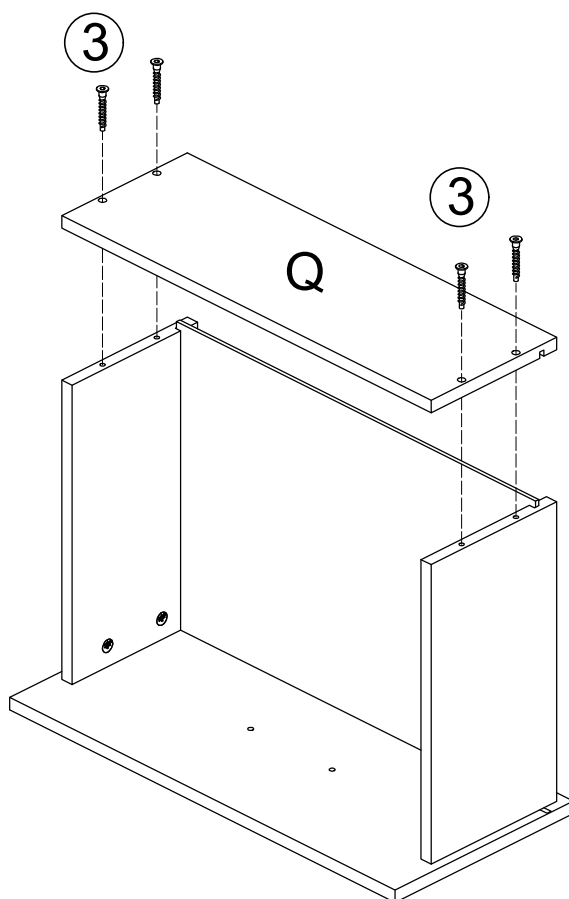
STEP 3

X3



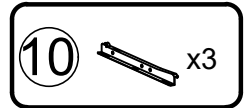
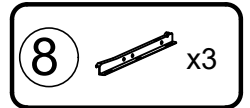
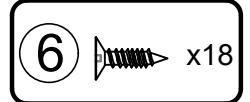
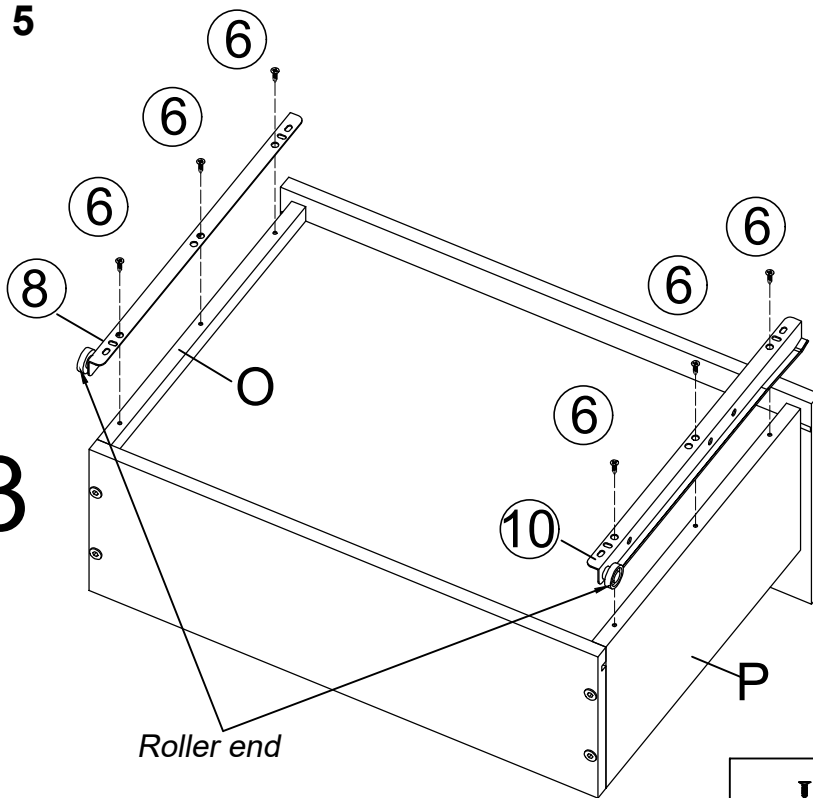
STEP 4

X3

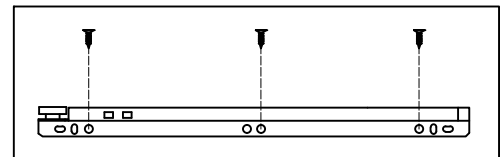


STEP 5

X3

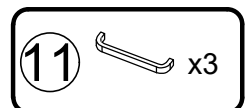
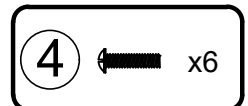
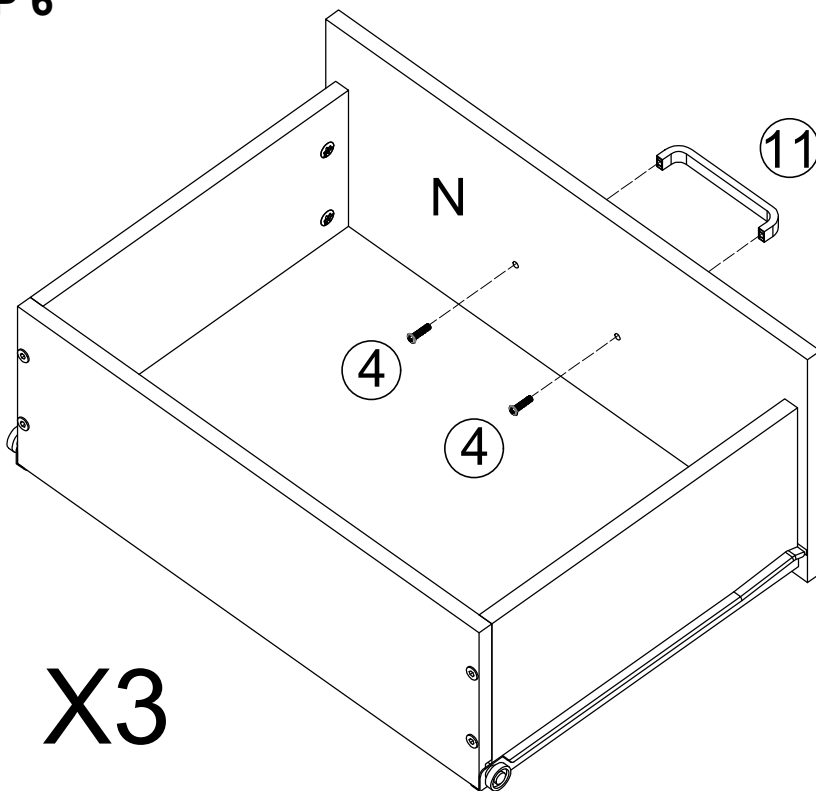


Note the direction of the rollers on the slide rail



STEP 6

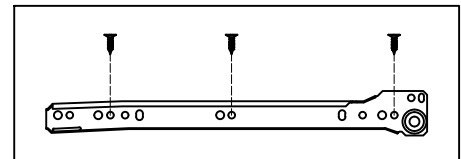
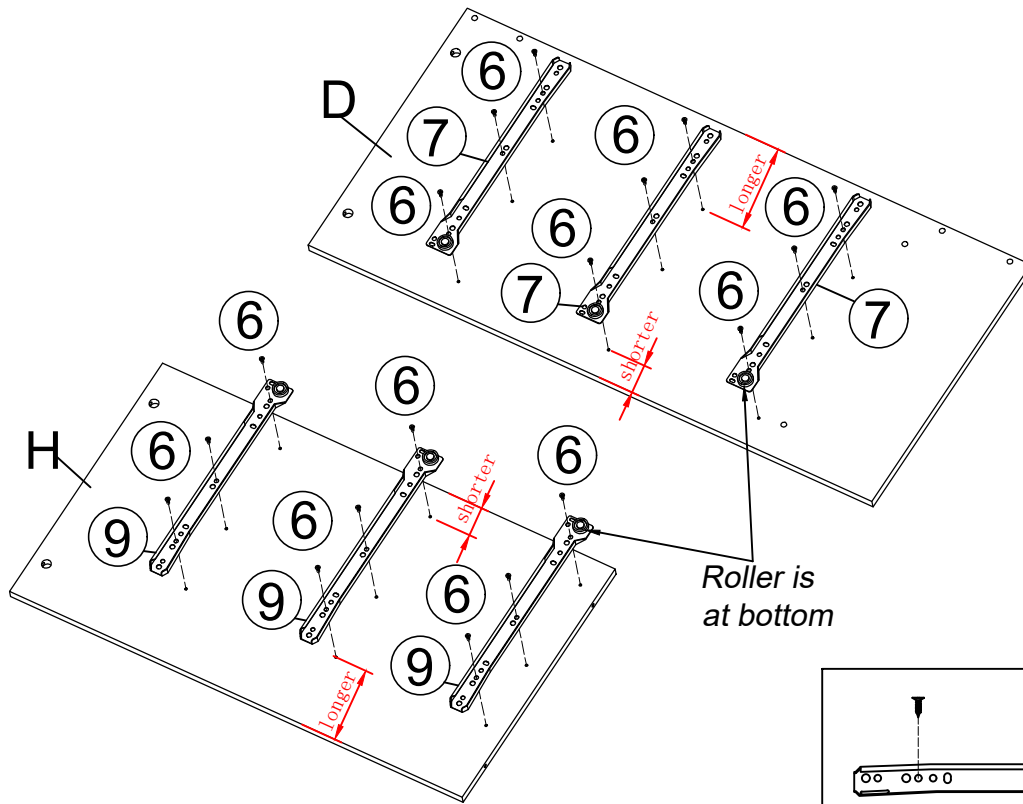
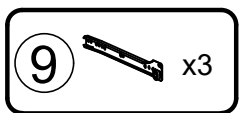
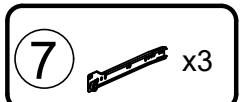
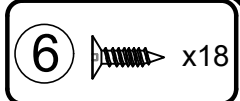
X3



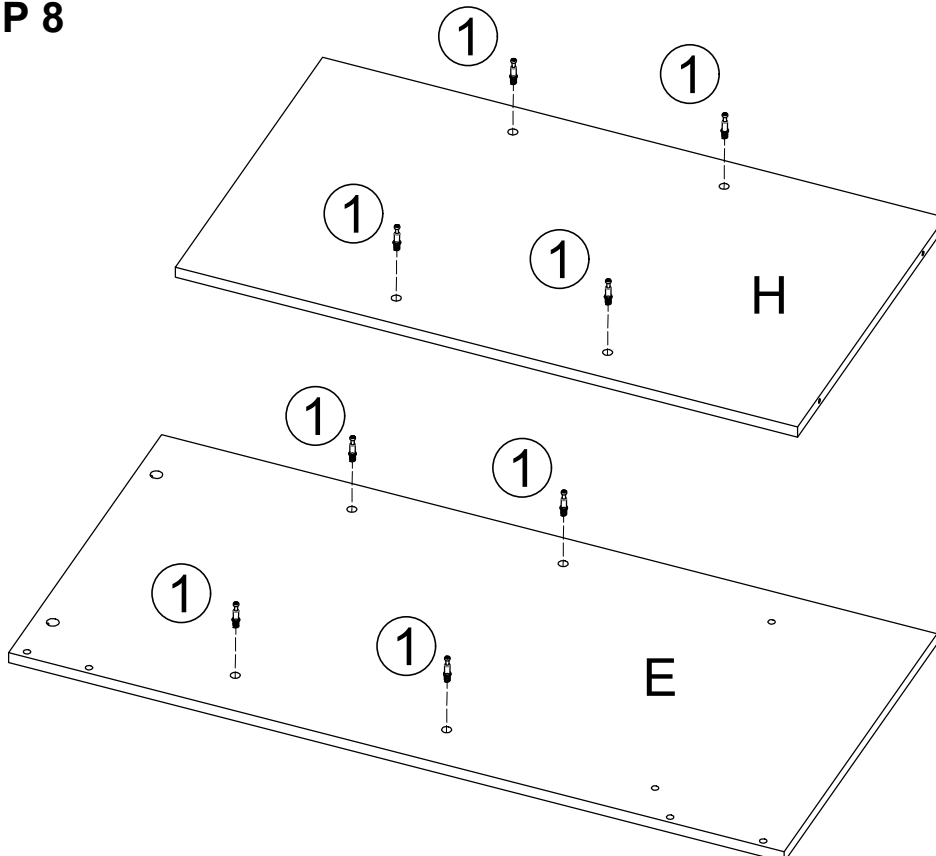
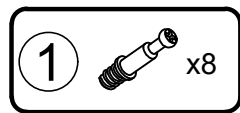
NOTICE:
The installation for all the three cabinet drawers is base on the 1-6 steps above.

STEP 7

Note the direction of the rollers on the slide rail

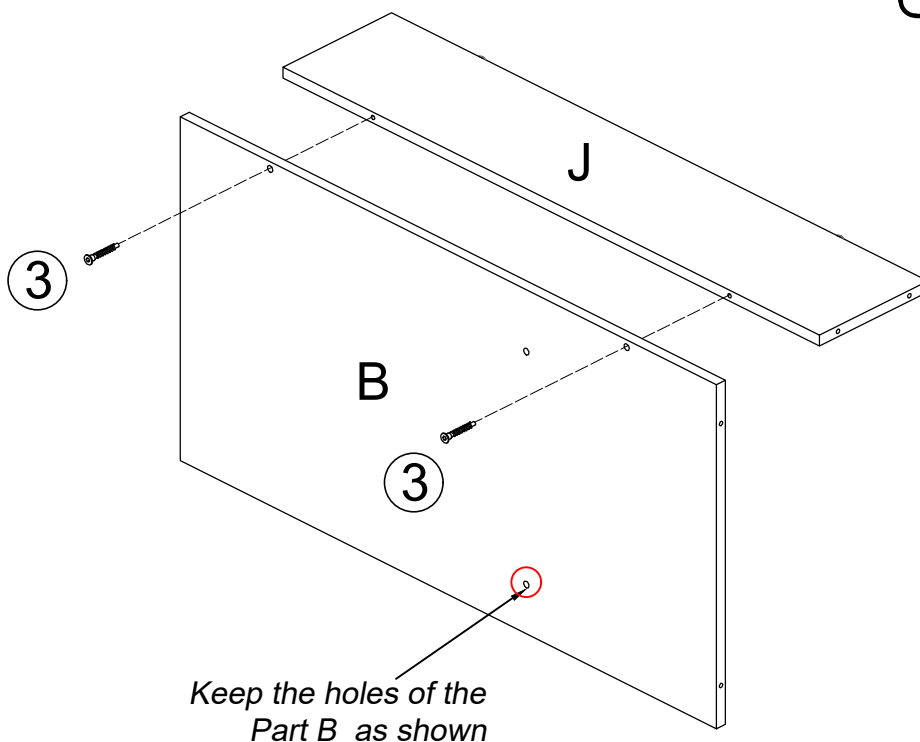


STEP 8



STEP 9

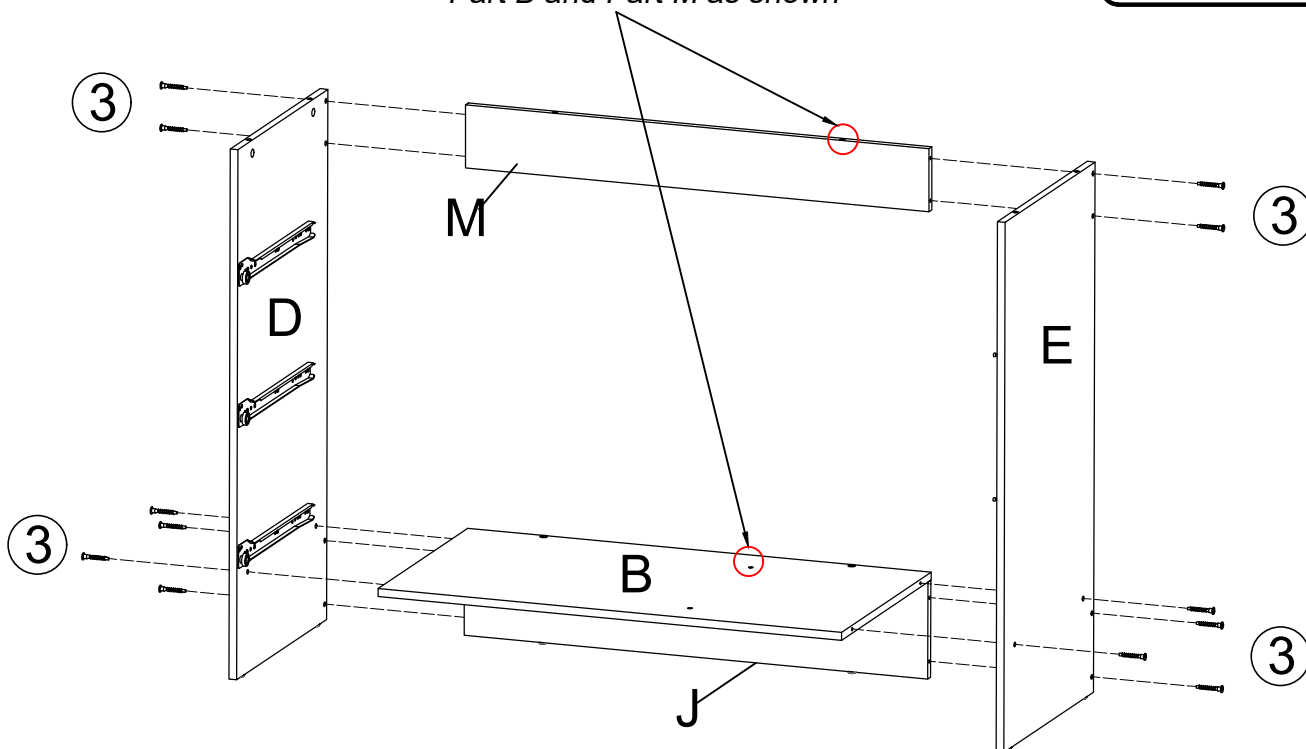
3  x2




STEP 10

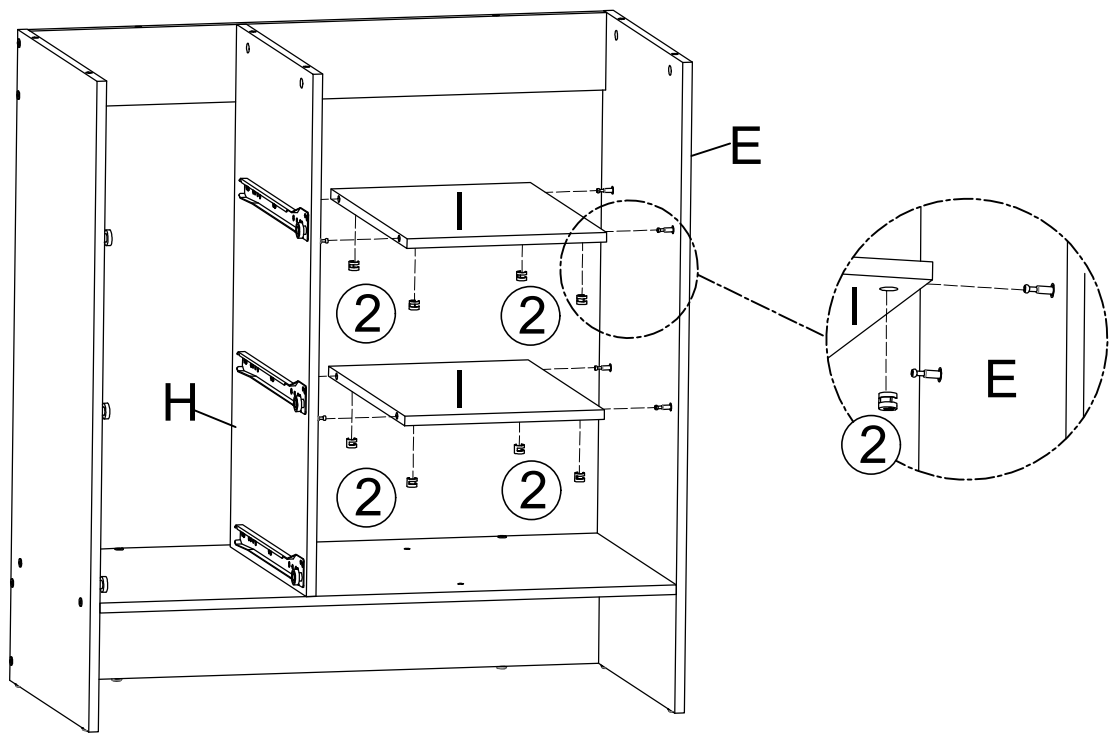
3  x12

Keep the holes of the Part B and Part M as shown




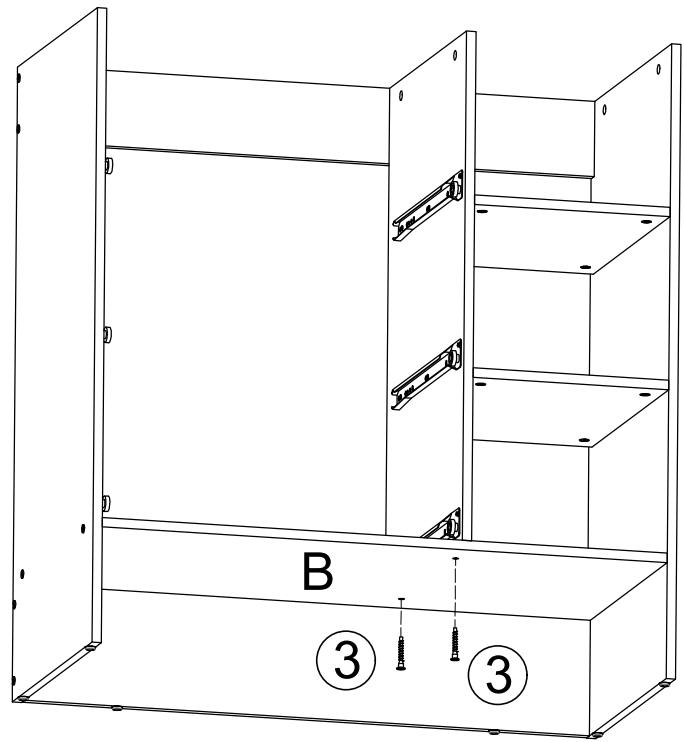
STEP 11

2  x8

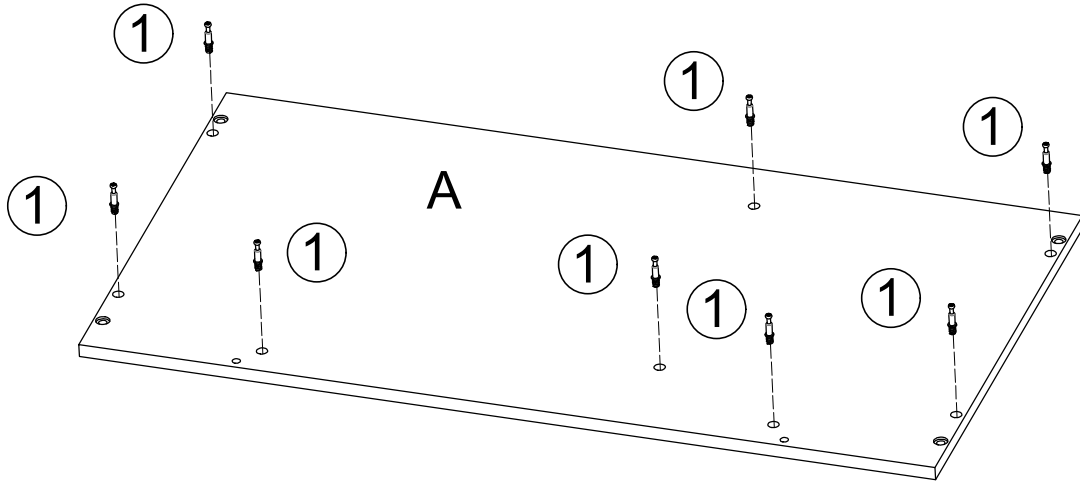
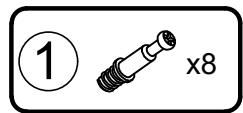


STEP 12

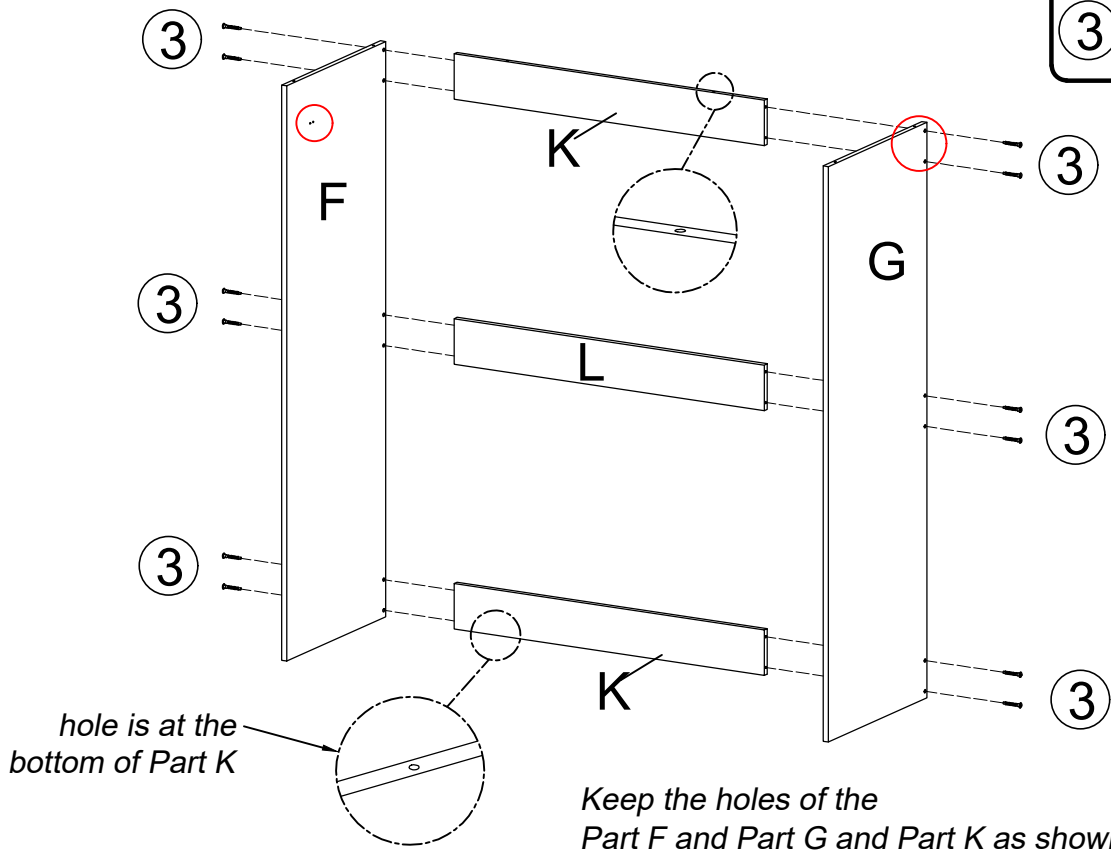
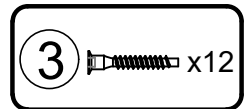
3  x2



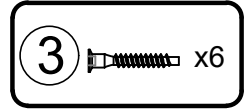
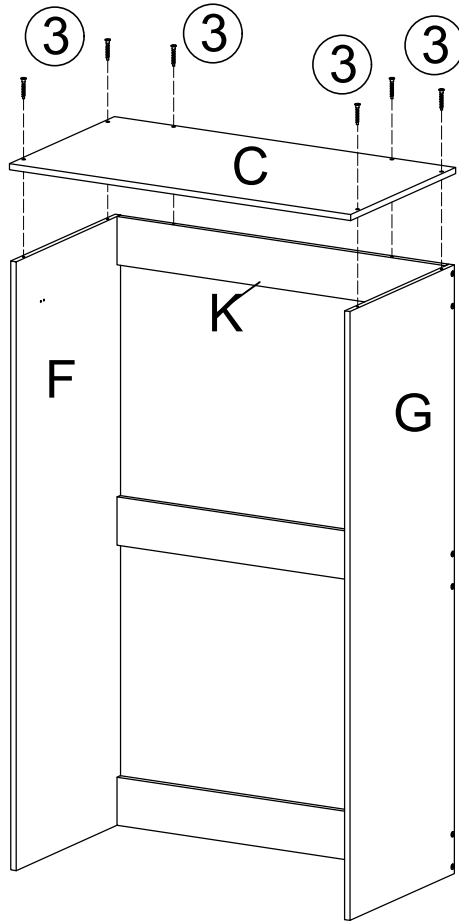
STEP 13



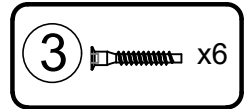
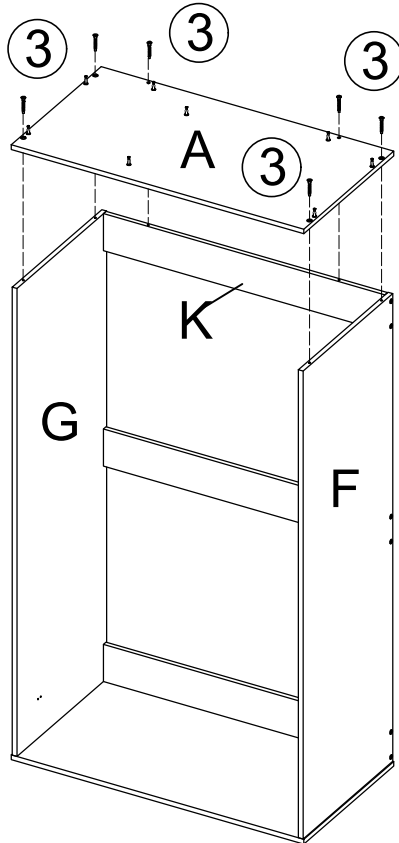
STEP 14




STEP 15

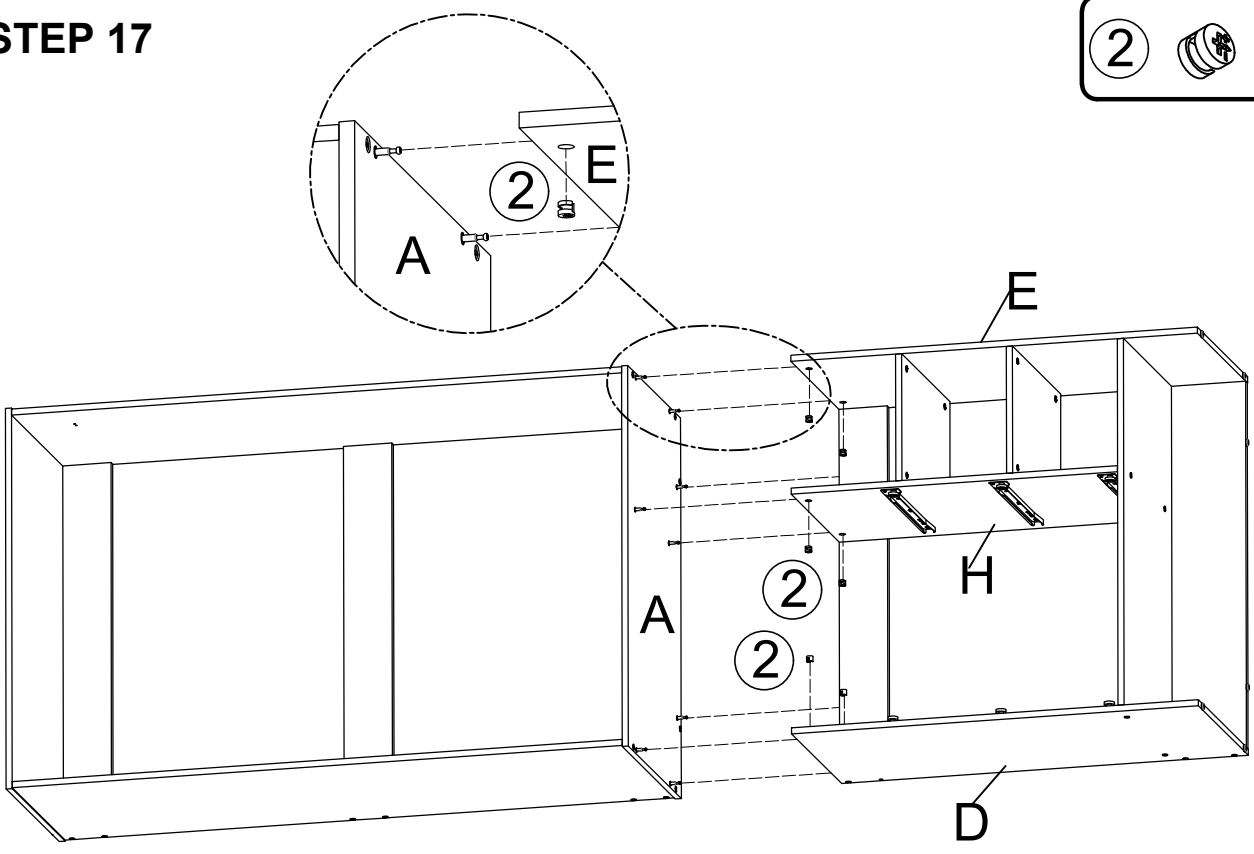


STEP 16




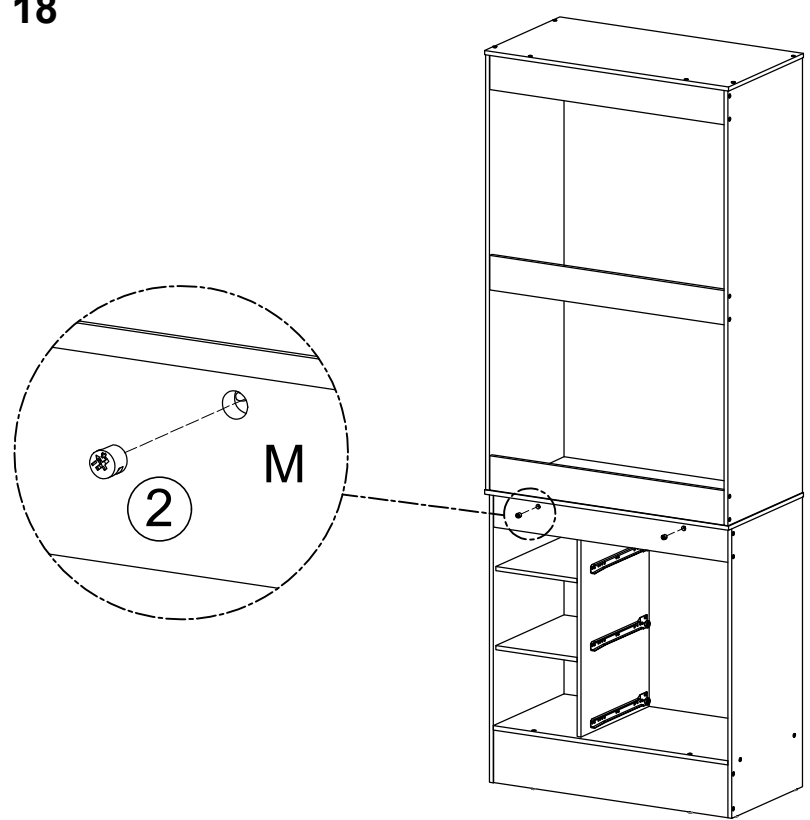
STEP 17

2  x6

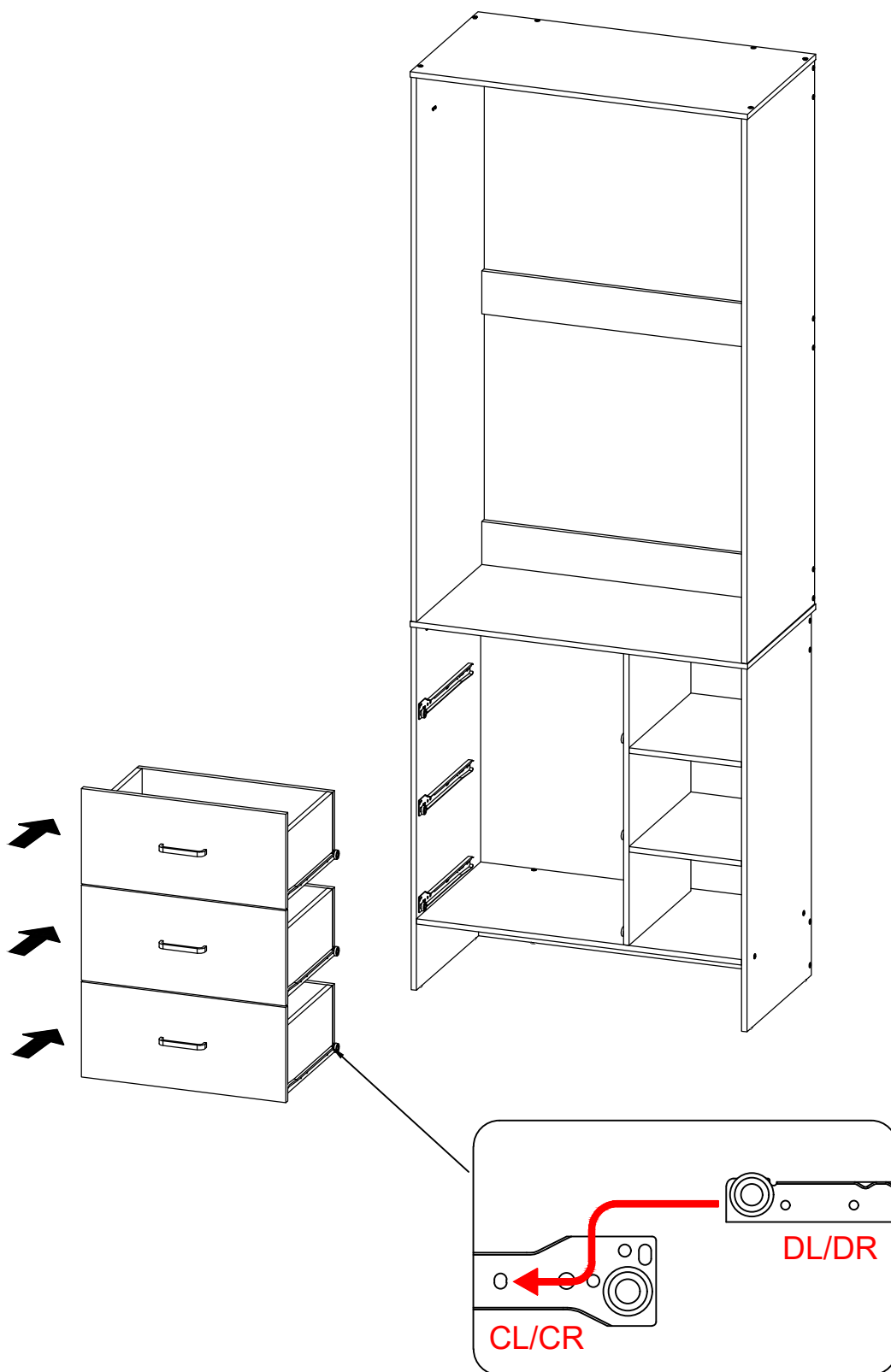


STEP 18

2  x2

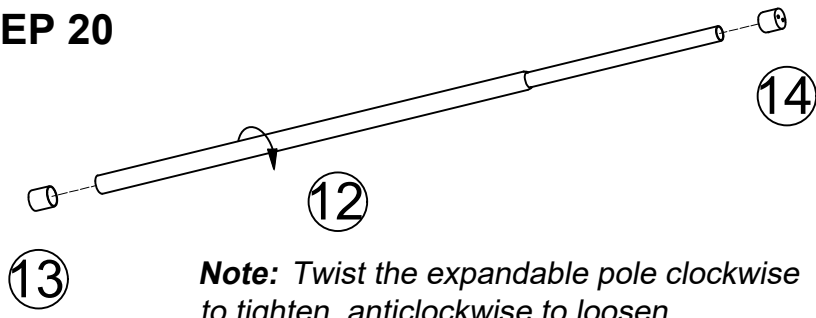


STEP 19



Please put the wheels align with the slots as the instruction shows, then slide into them

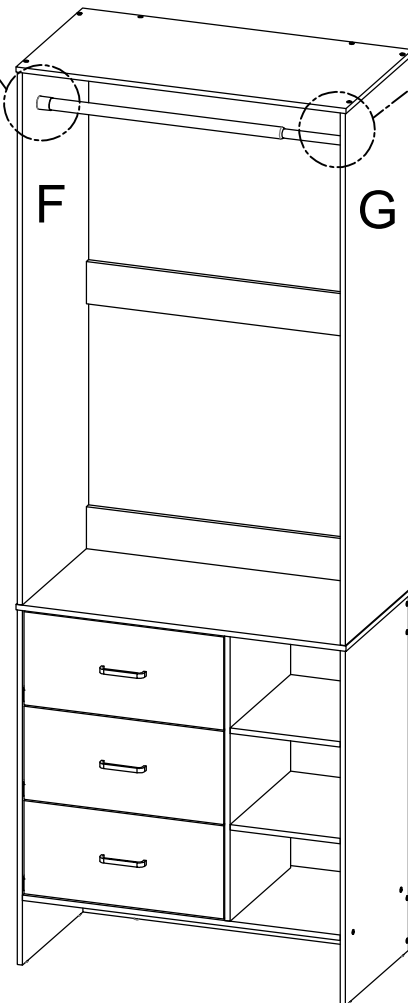
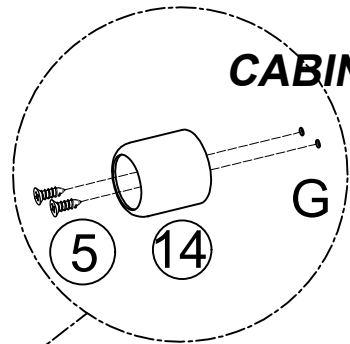
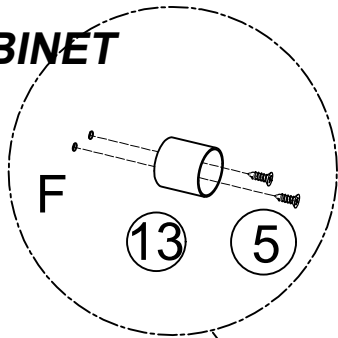
STEP 20



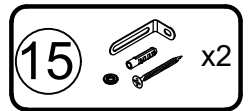
- 12 x1
- 13 x1
- 14 x1
- 5 x4

Note: Twist the expandable pole clockwise to tighten. anticlockwise to loosen.

CABINET



STEP 21



TIPPING RESTRAINT HARDWARE

Note: We have included two Tipping Restraint Hardware set for this Unit. When properly installed, this restraint can provide protection against the unexpected tipping of the Unit due to small tremors, bumps or climbing. We strongly recommend mounting this hardware to a wall stud and your Unit.

Note: You must install the Tipping Restraint Hardware with the unit in use to prevent any accidents or damage to the unit.

