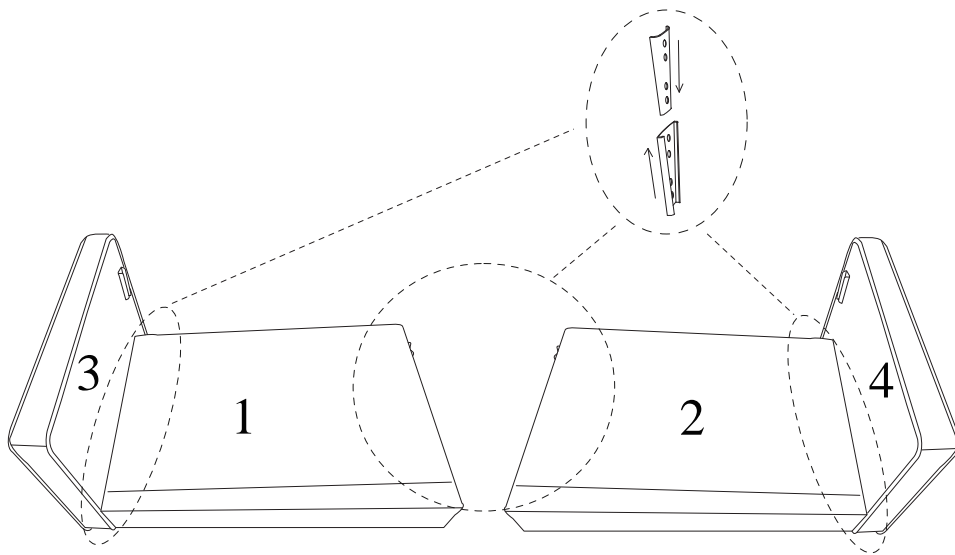


ASSEMBLY INSTRUCTIONS

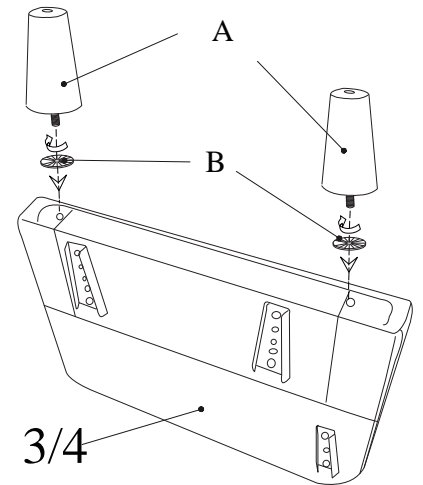
A ×6pcs	B ×6pcs	1 ×1pc	2 ×1pc	3 ×1pc	4 ×1pc
C ×1pcs	5 ×1pc	6 ×1pc	7 ×2pc	8 ×2pc	

ASSEMBLE FOLLOW BELOW STEPS

STEP 1

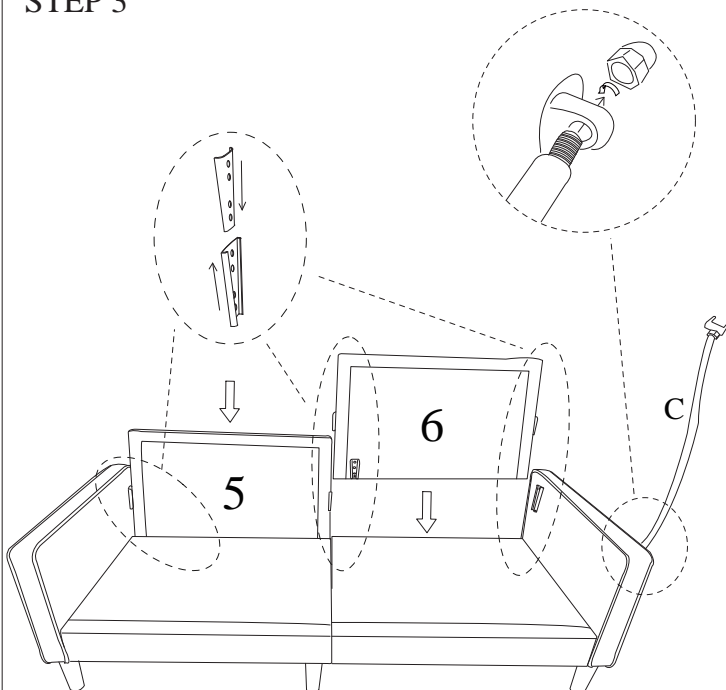


STEP 2



All the feet are installed like this

STEP 3



STEP 4

