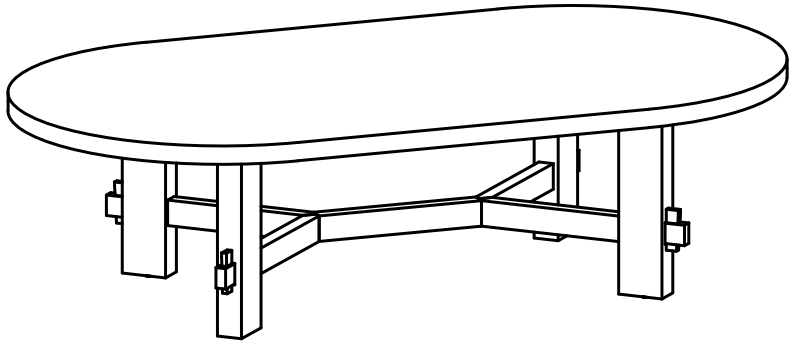


TABYTHA WOOD COFFEE TABLE

DESIGN #SFV2304

Assembly Instructions



SAFAVIEH
C O U T U R E

Thanks for bringing Safavieh Couture into your home

Everything we make is incredibly simple to set up, including your new table. You won't need any additional tools.

Parts List

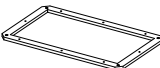
A x 1
TABLE TOP



B x 1
Stretcher frame



C x 1
Mounting frame



D x 4
LEGS



Ex 4
Wood Block



Hardware List

HW1 x 12
Bolt M6x25mm



HW2 x 12
Flat Washer M6x14mm



HW3 x 12
Spring washer M6x10mm

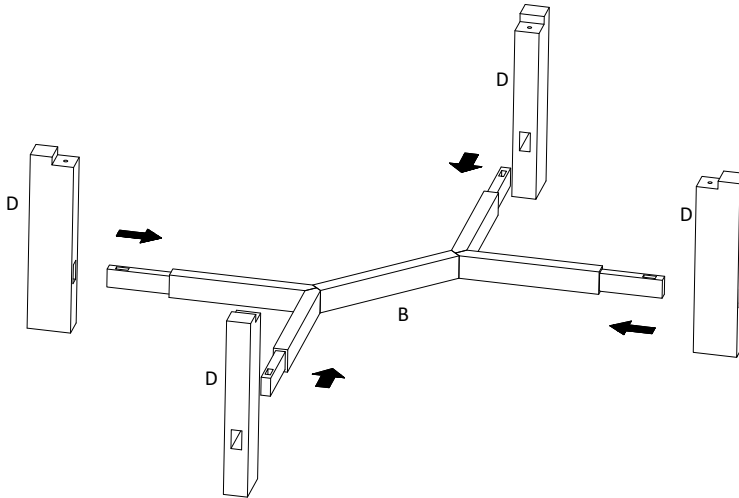


HW4 x 1
Allen key



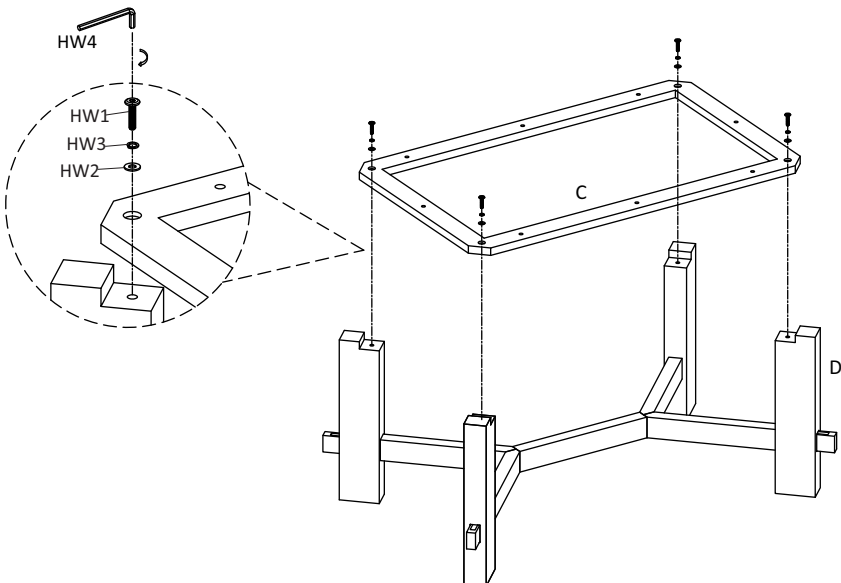
1

Insert the Stretcher frame (B) in the holes on the Legs (D) as shown.



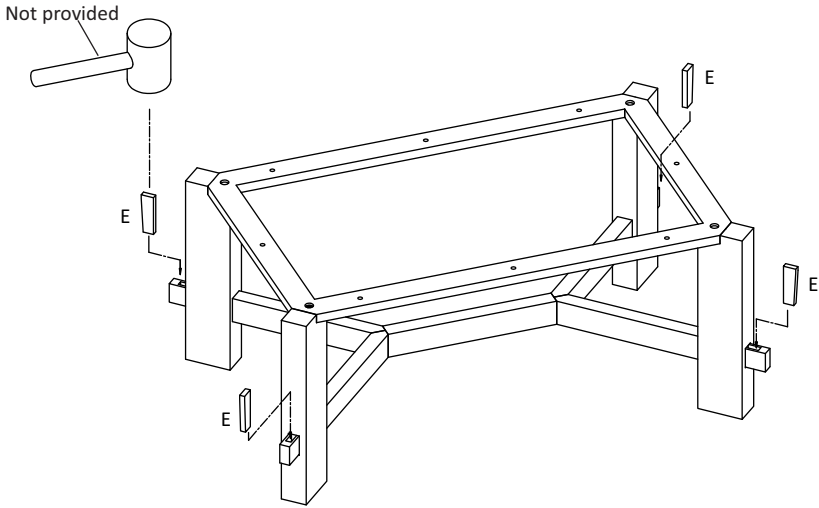
2

Place the Spring washers (HW3) and the Flat washers (HW2) on the Bolts (HW1). Attach the Mounting frame (C) to the Legs (D) by using the Allen Key (HW4) to screw in the Bolts (HW1) with the washers as shown.



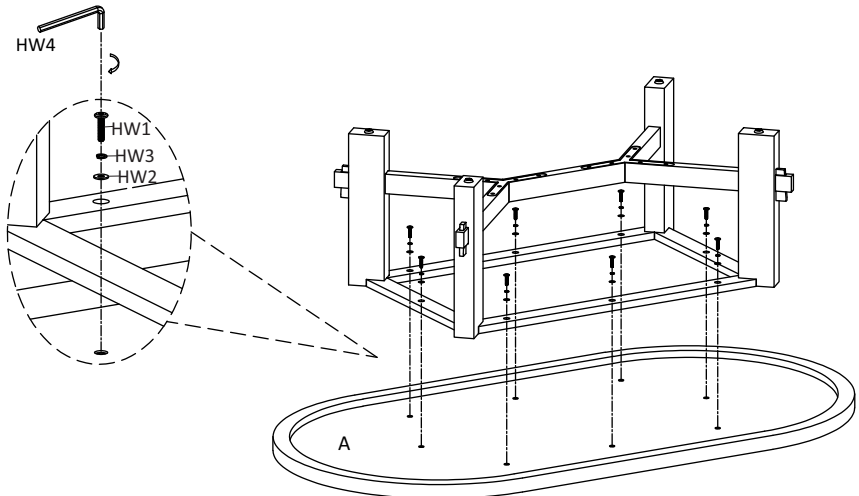
3

Insert the Wood block (E) into the Stretcher frame (B) as shown.



4

Place the Table top (A) upside down on a soft surface. Place the Spring washers (HW3) and the Flat washers (HW2) on the Bolts (HW1). Attach the Mounting frame (C) to the Table top (A) by using the Allen Key (HW4) to screw in the Bolts (HW1) with the washers as shown.

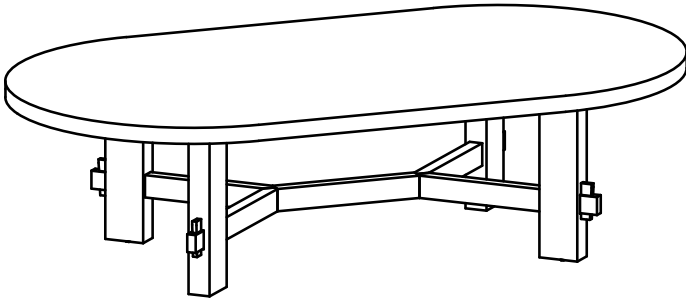


4

5

Place the coffee table in the place where you will use it. We'd love to see it – just tag us (we're @safavieh) and use the hashtag #safavieh on Instagram!

@safavieh



Need help?

Feel free to contact us via email or call
if you have any specific questions!

contact us:

cs@safavieh.com

866-422-9070