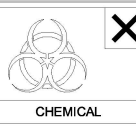
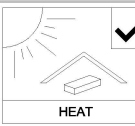




SOFT, DRY CLOTH



CHEMICAL



HEAT



KEEP DRY



HANDLE WITH CARE



DO NOT USE KNIFE

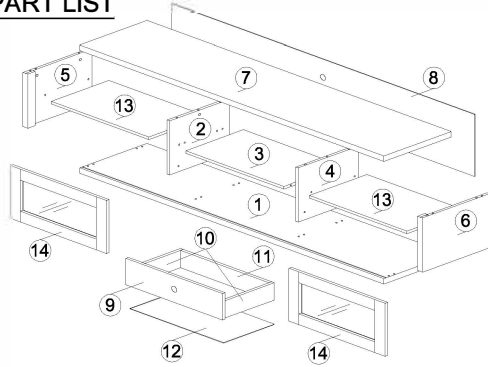
# ASSEMBLY INSTRUCTION

DESCRIPTION : TV CABINET

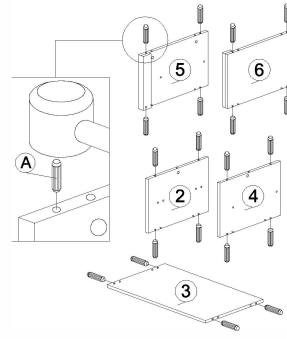
HARDWARE

<b>A</b>  WOOD DOWEL 8 X 25 1X20	<b>B</b>  16MM CB SCREW M3.5X16MM 1X56	<b>C</b>  38MM CB SCREW M4X38MM 1X12	<b>D</b>  65MM CB SCREW M4X65MM 1X8	<b>E</b>  NAIL 5/8 1X30	<b>F</b>  ALLEN KEY 1X1	<b>G</b>  G1 G2 G3 MINIFIX 5654+5546 6 SETS	<b>H</b>  METAL SHELF SUPPORT 5X16 1X8	<b>I</b>  MIRROR BRACKET 1X8	<b>J</b>  J1 J2 K455 ROLLER 4 SETS	<b>K</b>  HANDLE BK-118-35 (METAL) 1X1	<b>L</b>  L1 L2 DRAWER SLIDE 12" 1 SET	<b>M</b>  2.5" PVC LEG 1X5
--	---	---	--	----------------------------------	----------------------------------	--	--	--	---	---	--	--

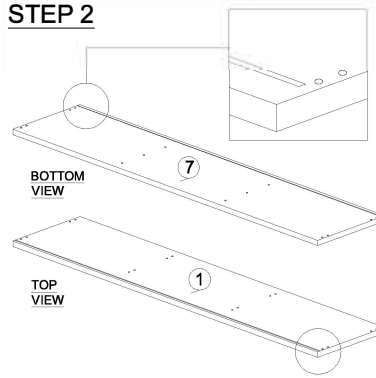
## PART LIST



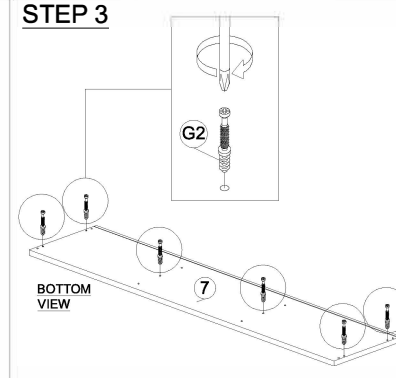
## STEP 1 Dowel Fitting



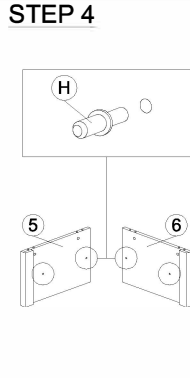
## STEP 2



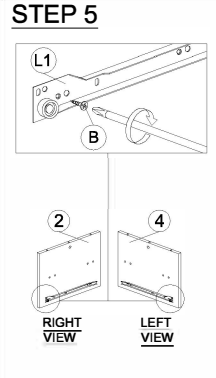
## STEP 3



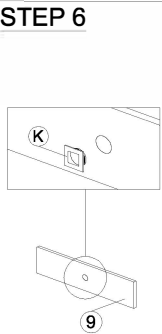
## STEP 4



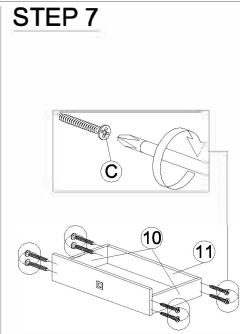
## STEP 5



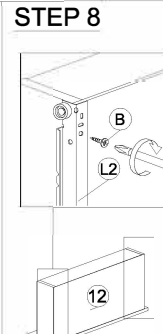
## STEP 6



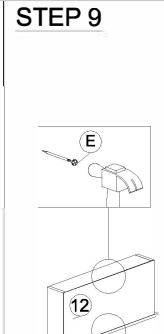
## STEP 7



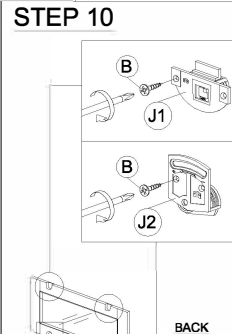
## STEP 8



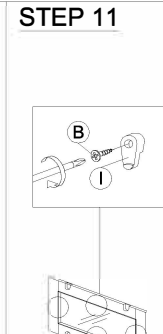
## STEP 9



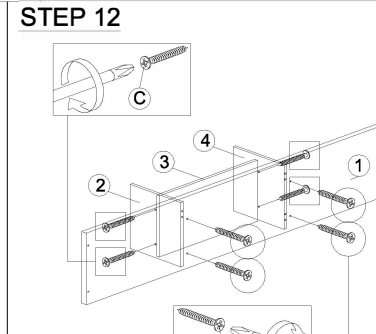
## STEP 10



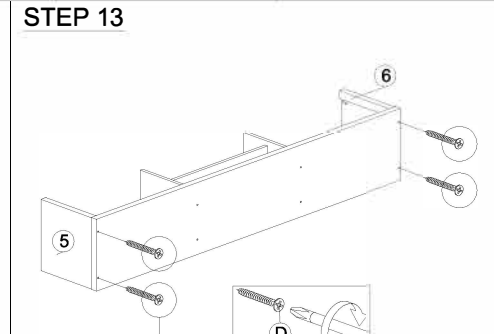
## STEP 11



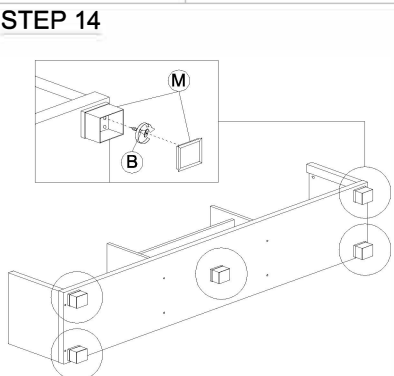
## STEP 12



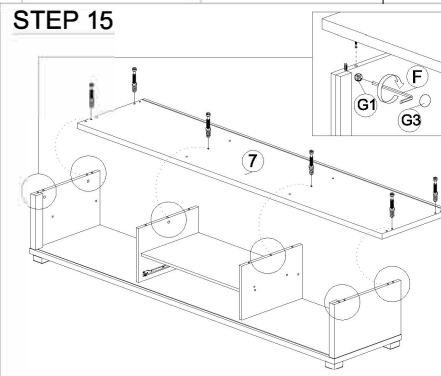
## STEP 13



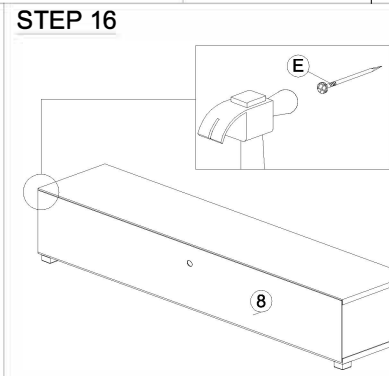
## STEP 14



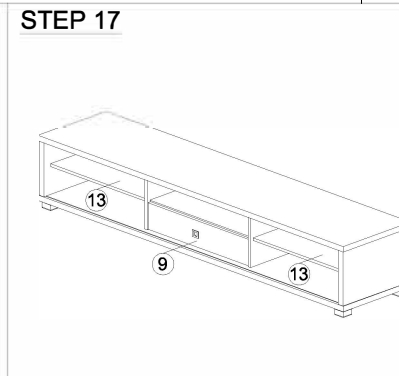
## STEP 15



## STEP 16



## STEP 17



## COMPLETED

