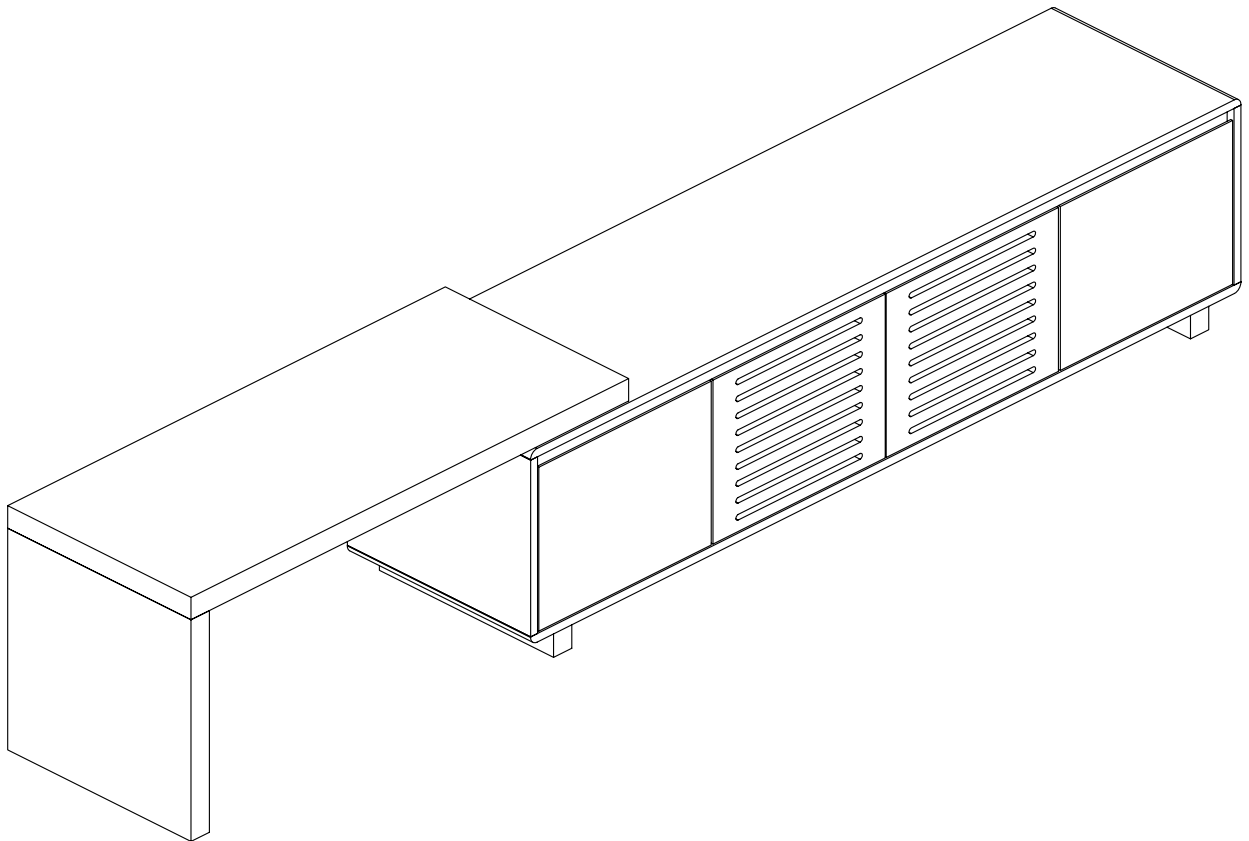
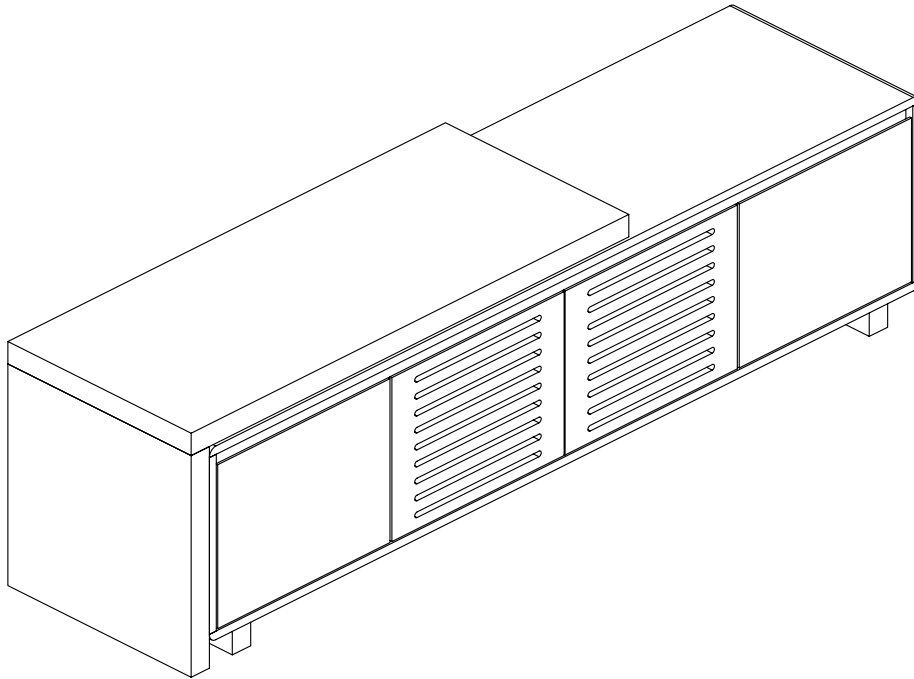


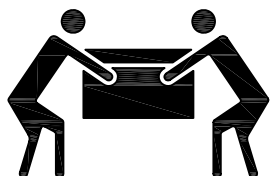
Installation & Assembly



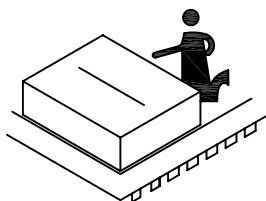
ASSEMBLY INSTRUCTIONS

Notice:

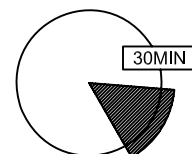
1. Follow the installation instructions. Please confirm all accessories are preset before installation.
2. Do not fully tighten the screws during initial assembly. Fully tighten screws only once all pieces which are correctly assembled.
3. If you encounter any problems during installation, please contact our customer service.
4. Please unbox the item from the side with an open-label and put a carpet on the floor to avoid scratching it.



Recommended installers:2



Put a carpet on the floor
before unpacking



Estimate installation time:
30minutes

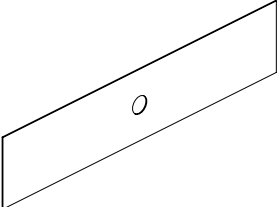
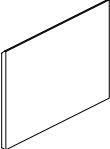
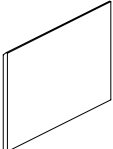
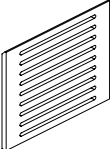
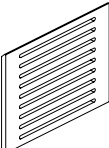
PART LIST

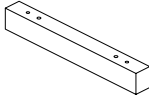

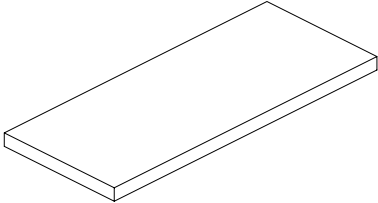
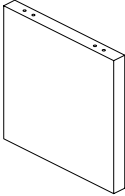
Item no.	Reference Image	Qty
(A)		X1
(B)		X1
(C)		X1
(D)		X1

Item no.	Reference Image	Qty
(E)		X1
(F)		X1
(G)		X1
(H)		X1

ASSEMBLY INSTRUCTIONS

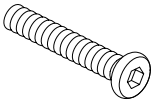


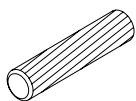
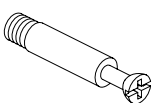
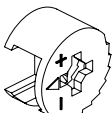
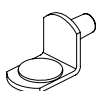
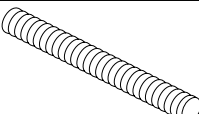
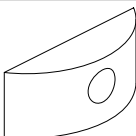
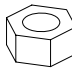
PART LIST

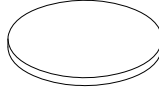
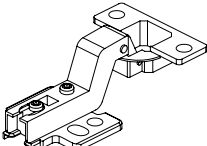
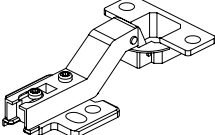
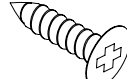
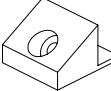
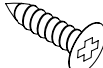
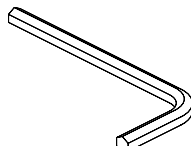
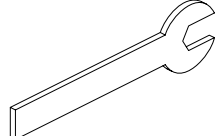
Item no.	Reference Image	Qty
Ⓘ		X1
Ⓙ		X1
Ⓚ		X1
Ⓛ		X1
Ⓜ		X1

Item no.	Reference Image	Qty
Ⓝ		X2
Ⓞ		X1
Ⓟ		X1
Ⓠ		X1

ASSEMBLY INSTRUCTIONS

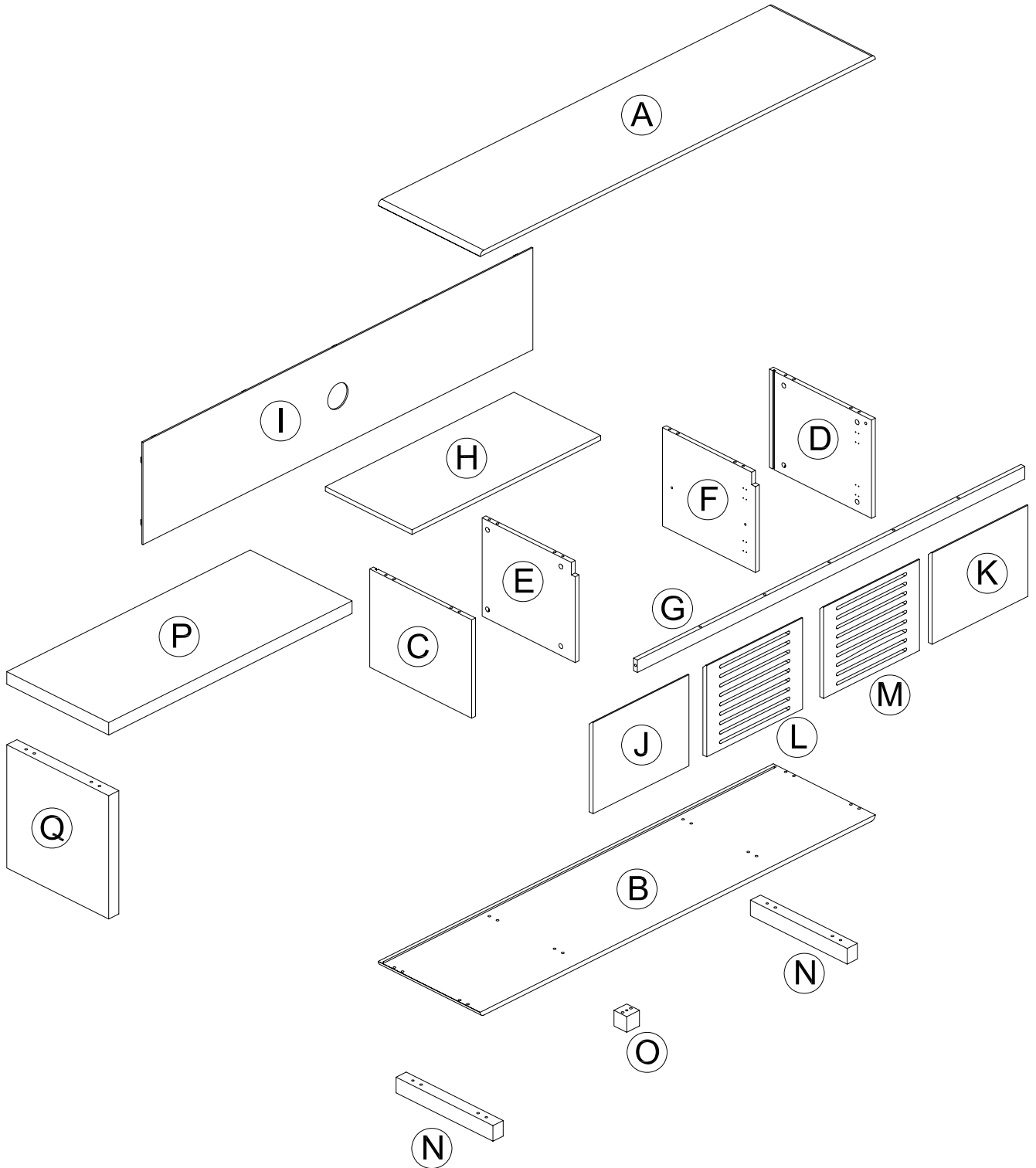
HARDWARE LIST

Item no.	Reference Image	Qty
1	 Ø1/4"x1-1/2"	X5
2		X5
3		X5
4		X26+2
5		X21+2
6		X21+2
7		X4
8	 M6x80mm	X2
9		X2
10	 M6x5 mm	X2

Item no.	Reference Image	Qty
11		X2
12		X4
13		X4
14	 Ø7xØ3.5x14 mm	X48+4
15		X14+1
16	 Ø6xØ3x15 mm	X14+1
17		X1
18		X1

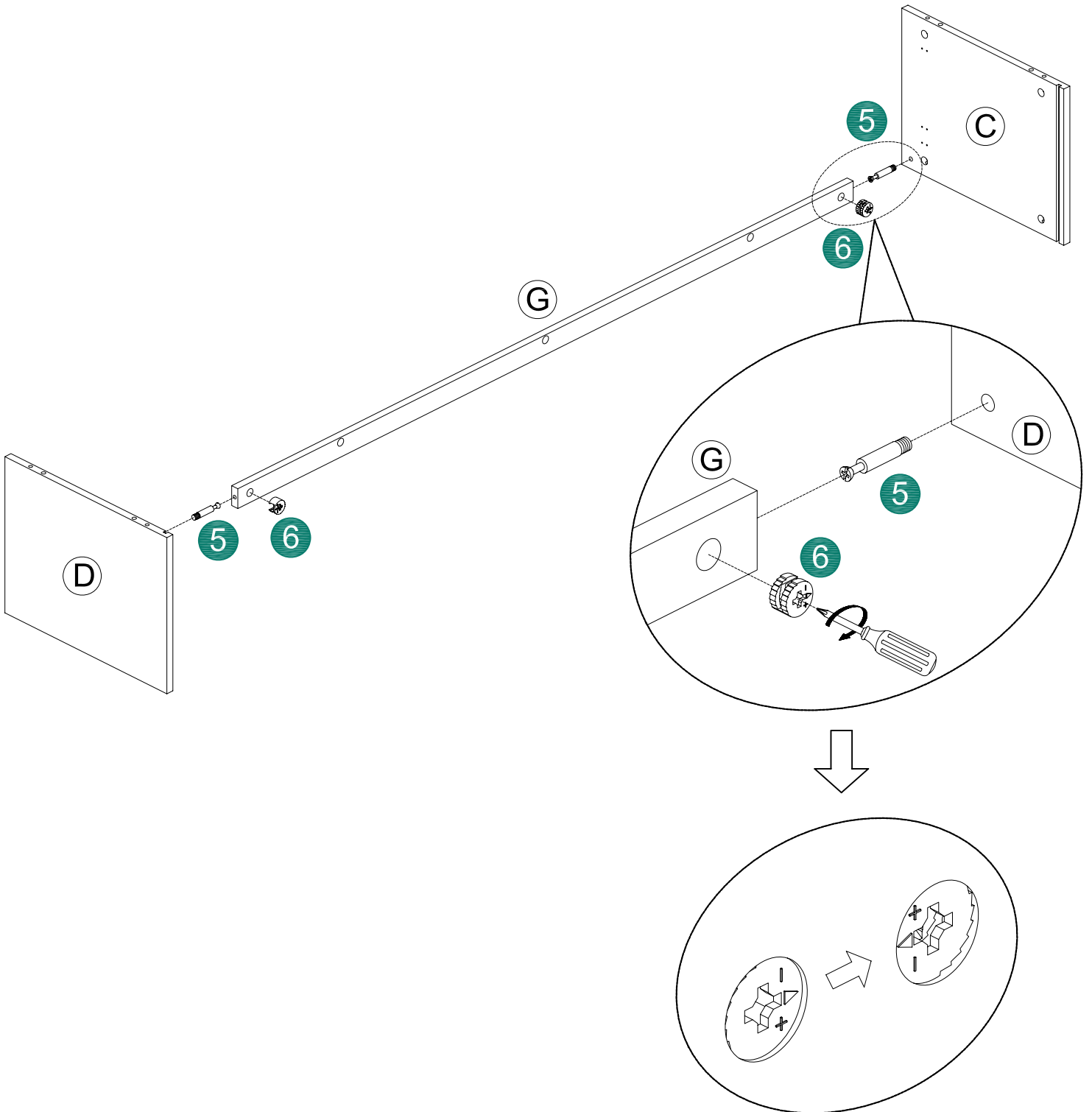
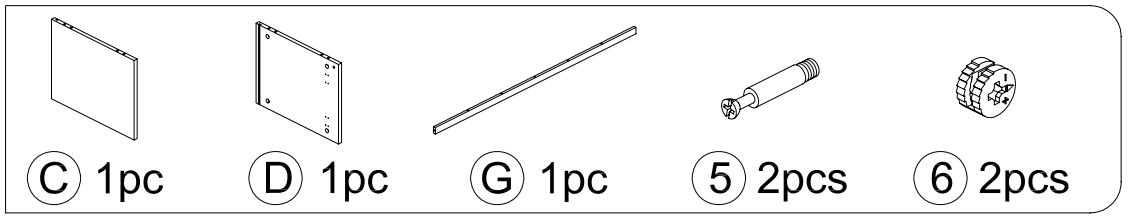
ASSEMBLY INSTRUCTIONS

Installation & Assembly



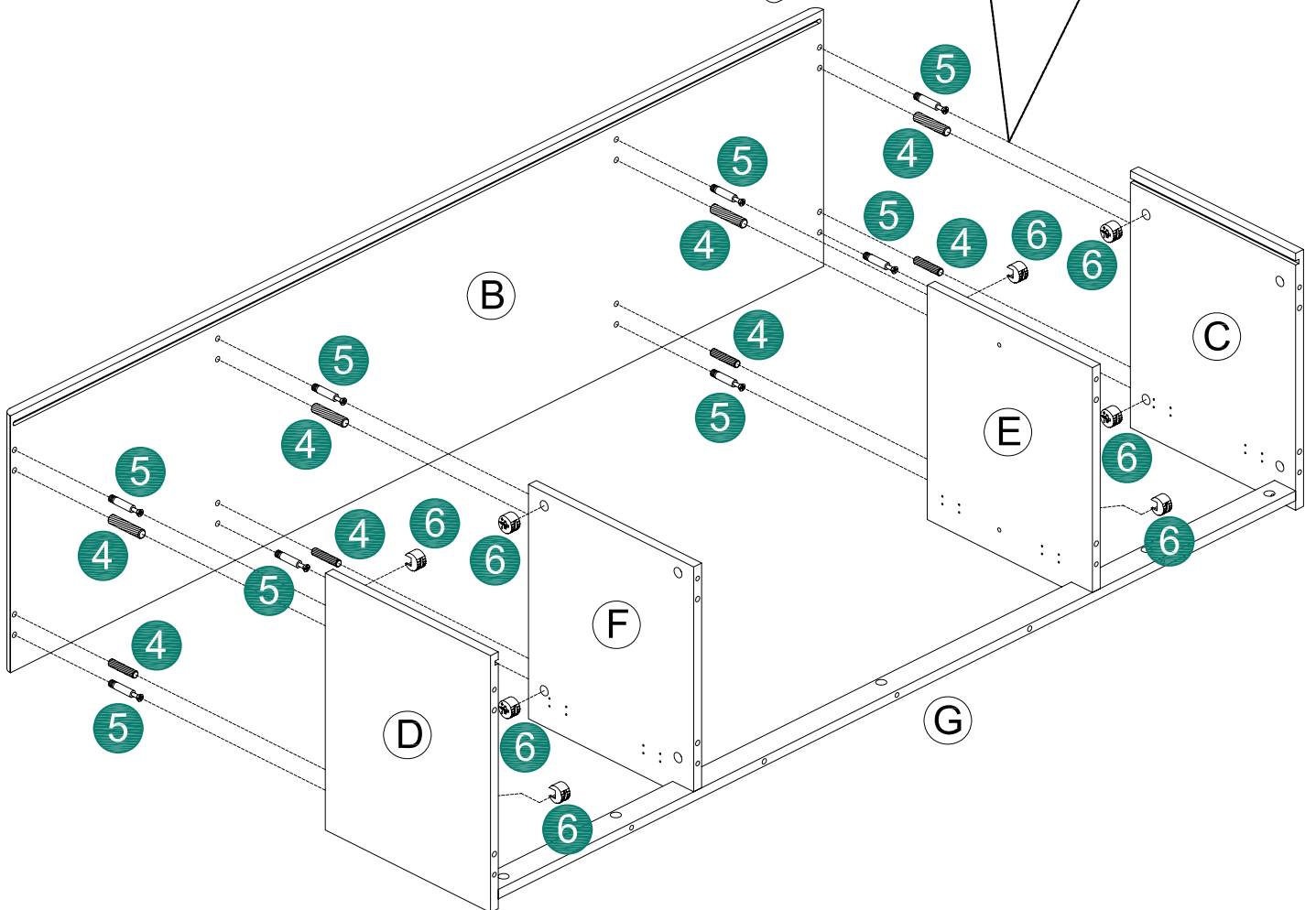
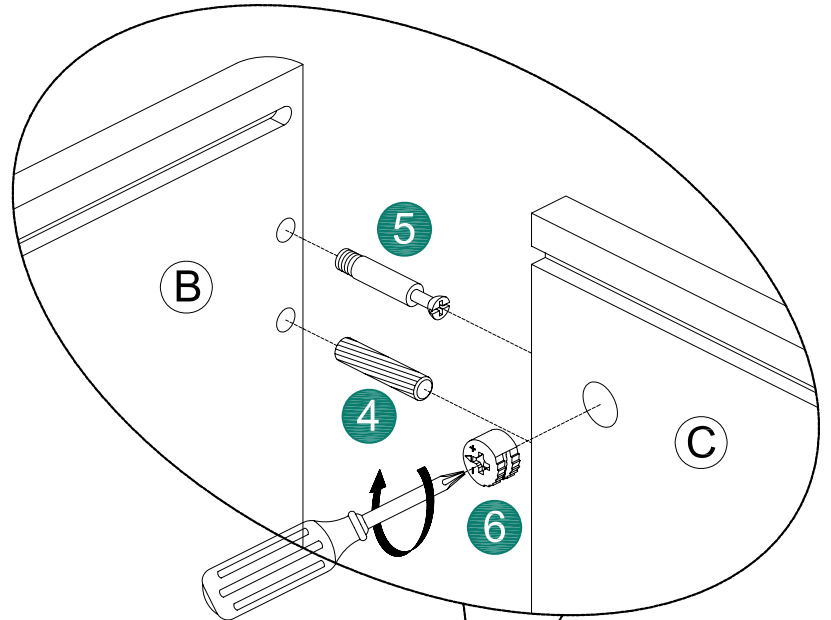
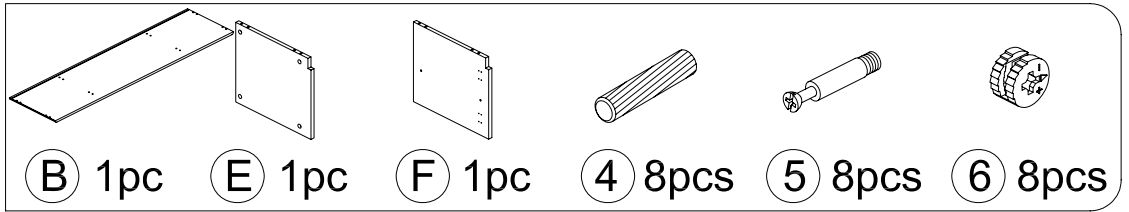
ASSEMBLY INSTRUCTIONS

1



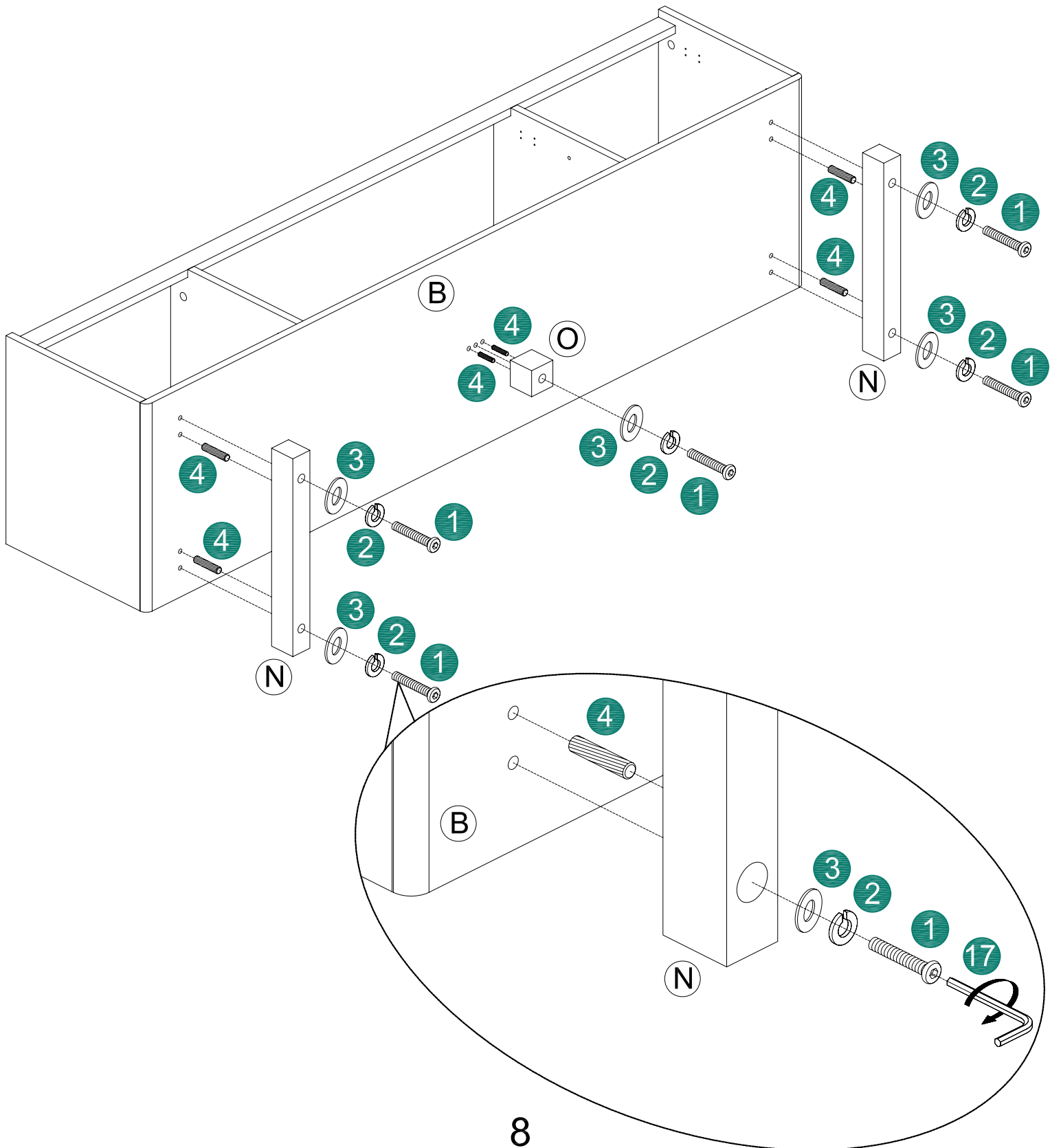
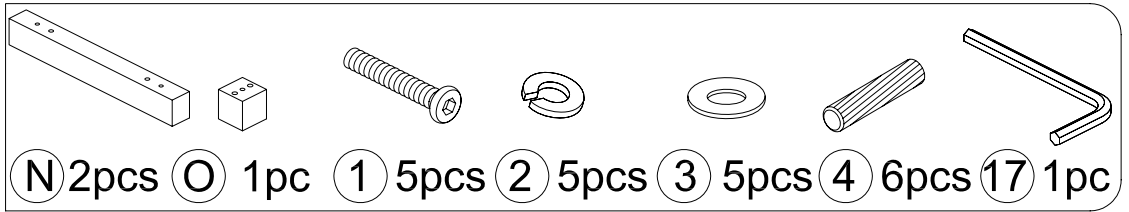
ASSEMBLY INSTRUCTIONS

2



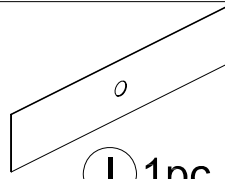
ASSEMBLY INSTRUCTIONS

3

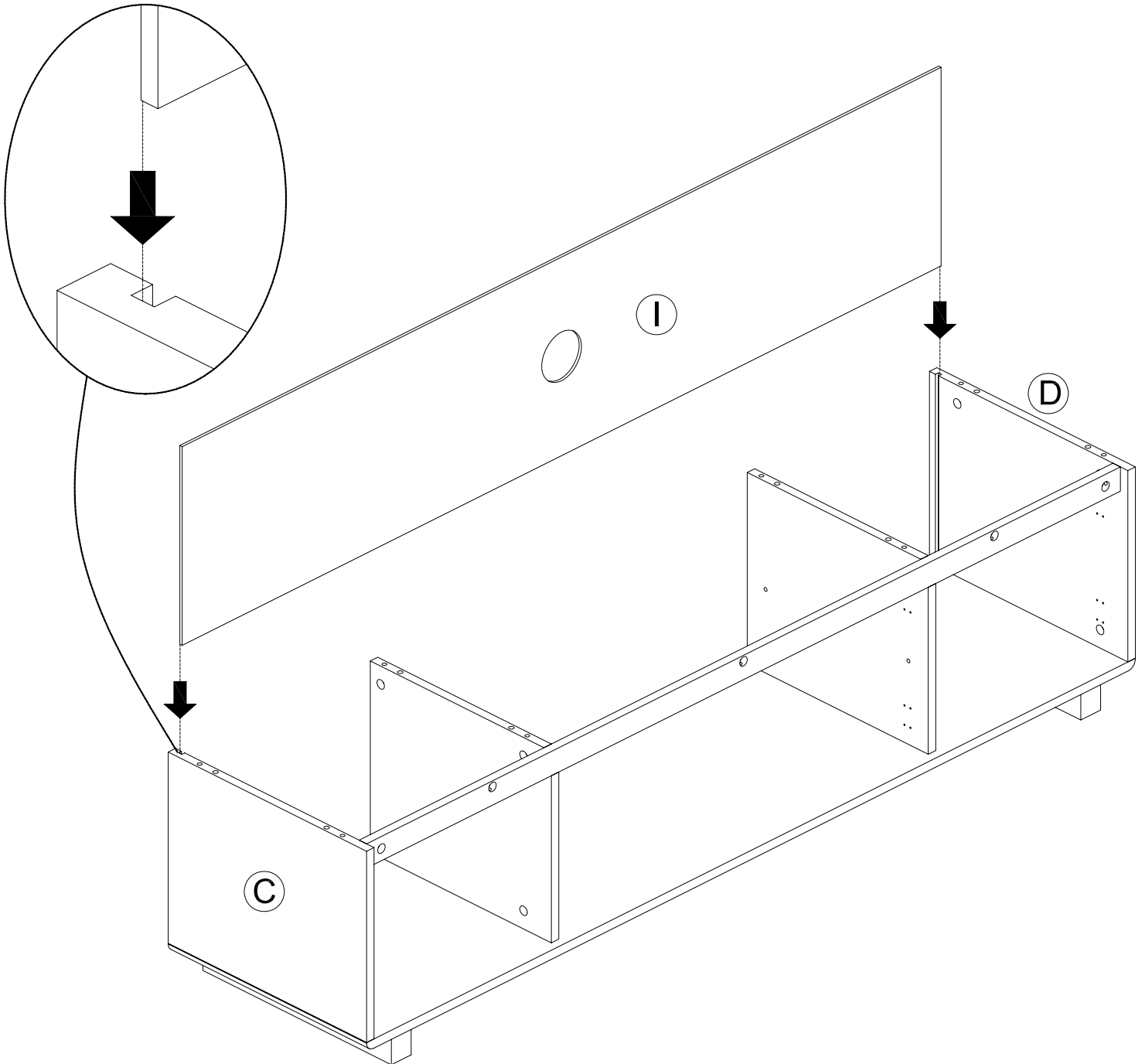


ASSEMBLY INSTRUCTIONS

4

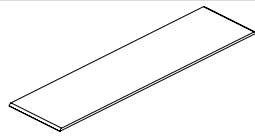


I 1pc

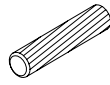


ASSEMBLY INSTRUCTIONS

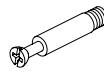
5



A 1pc



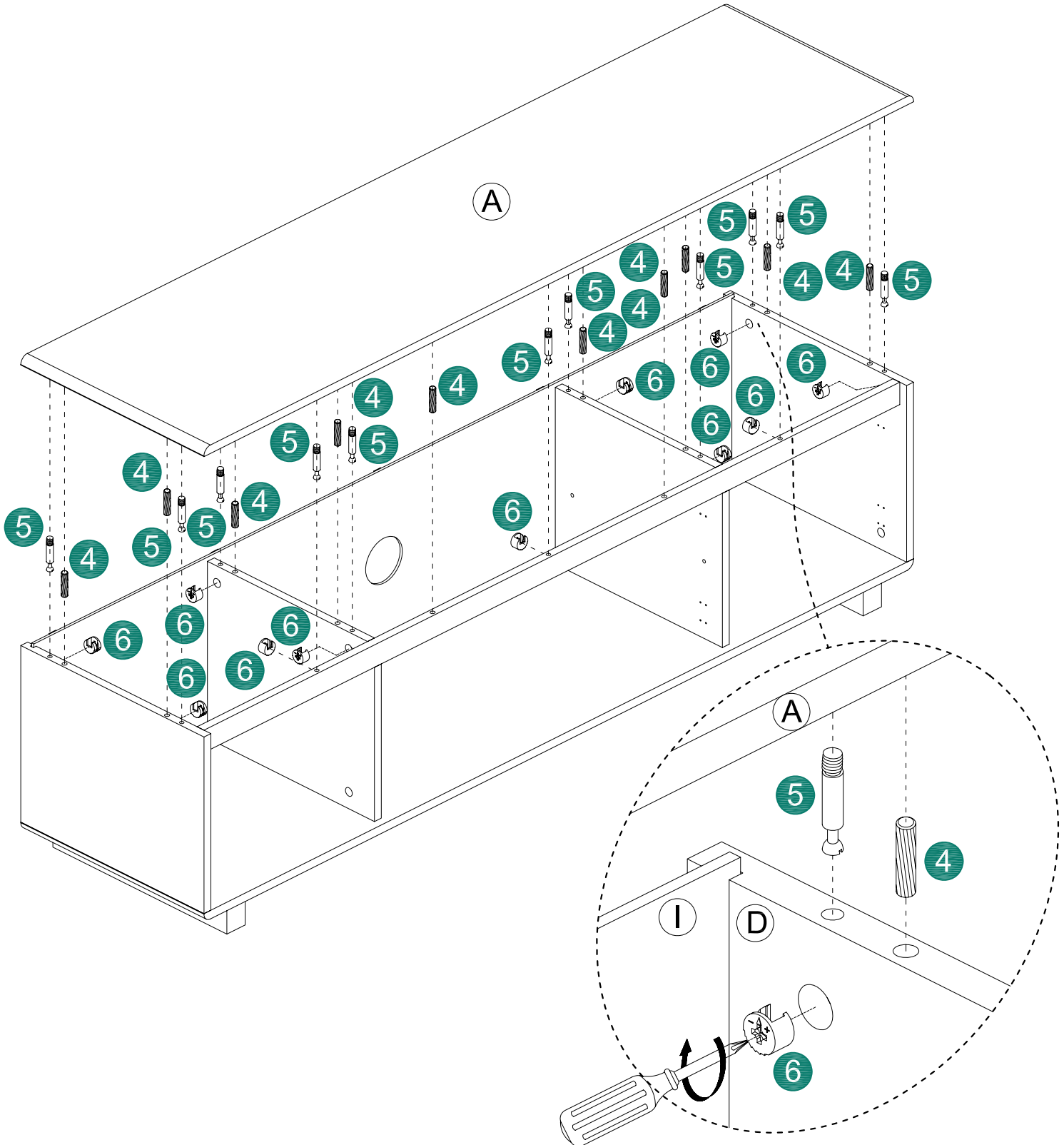
4 10pc



5 11pcs

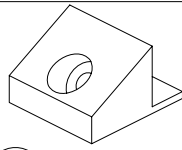


6 11pcs

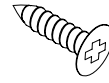


ASSEMBLY INSTRUCTIONS

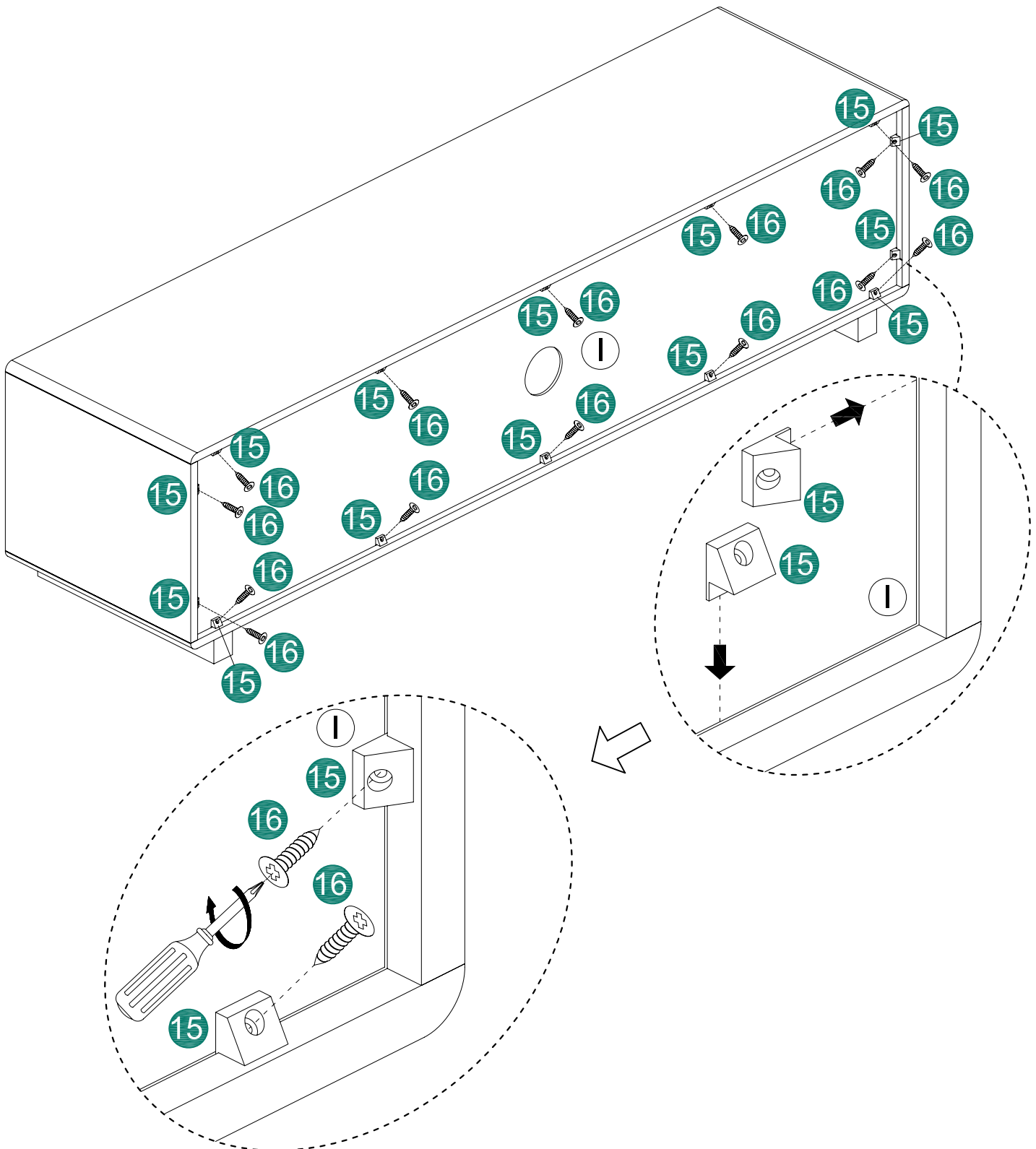
6



15 14pcs

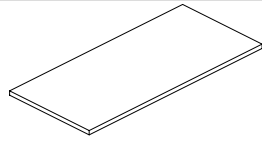


16 14pcs



ASSEMBLY INSTRUCTIONS

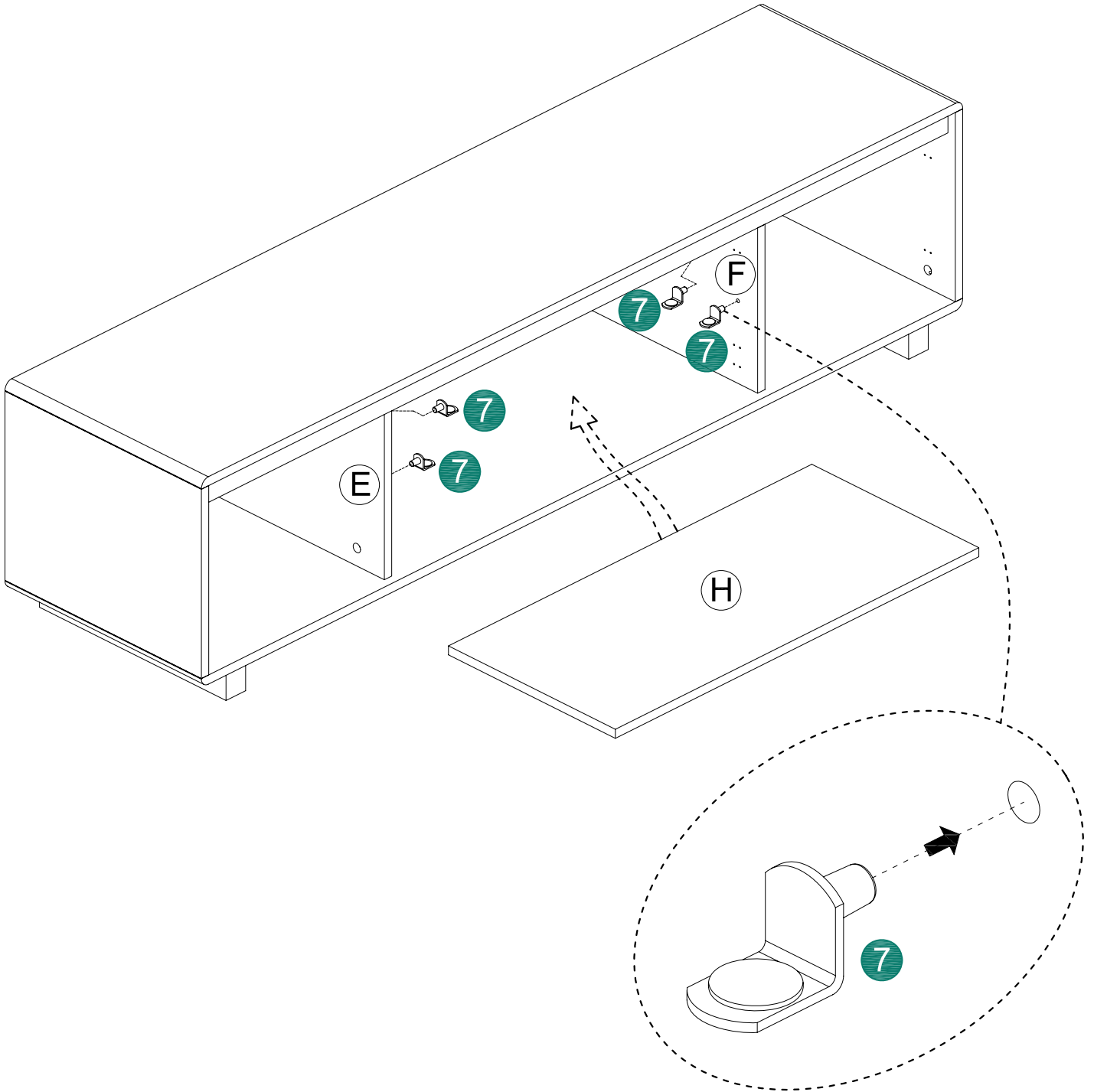
7



H 1pc

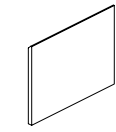


7 4pcs

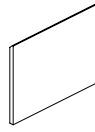


ASSEMBLY INSTRUCTIONS

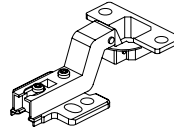
8



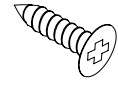
J 1pc



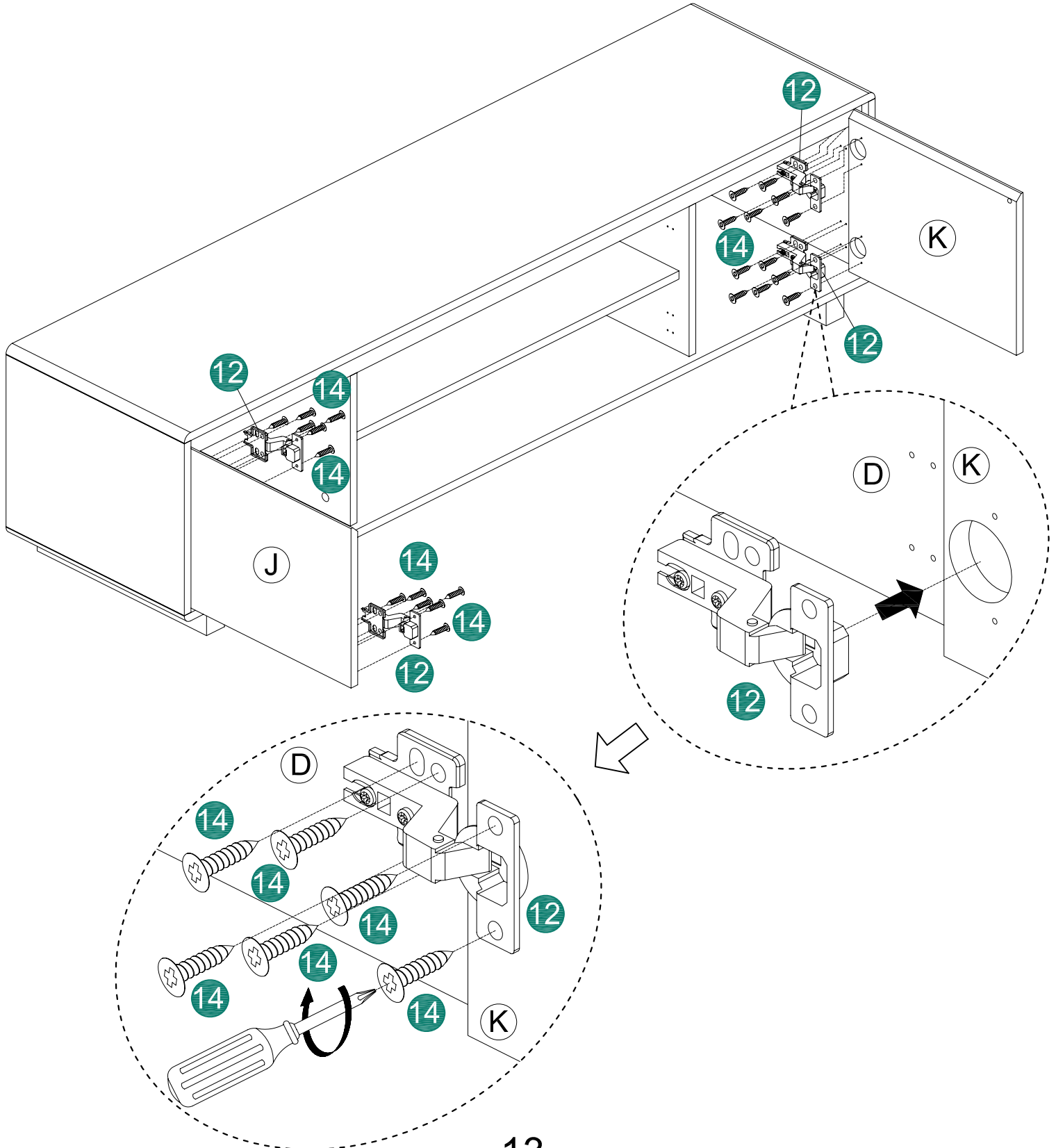
K 1pc



12 4pcs



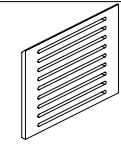
14 24pcs



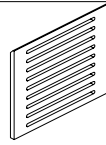
13

ASSEMBLY INSTRUCTIONS

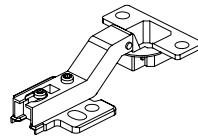
9



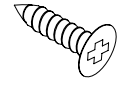
L 1pc



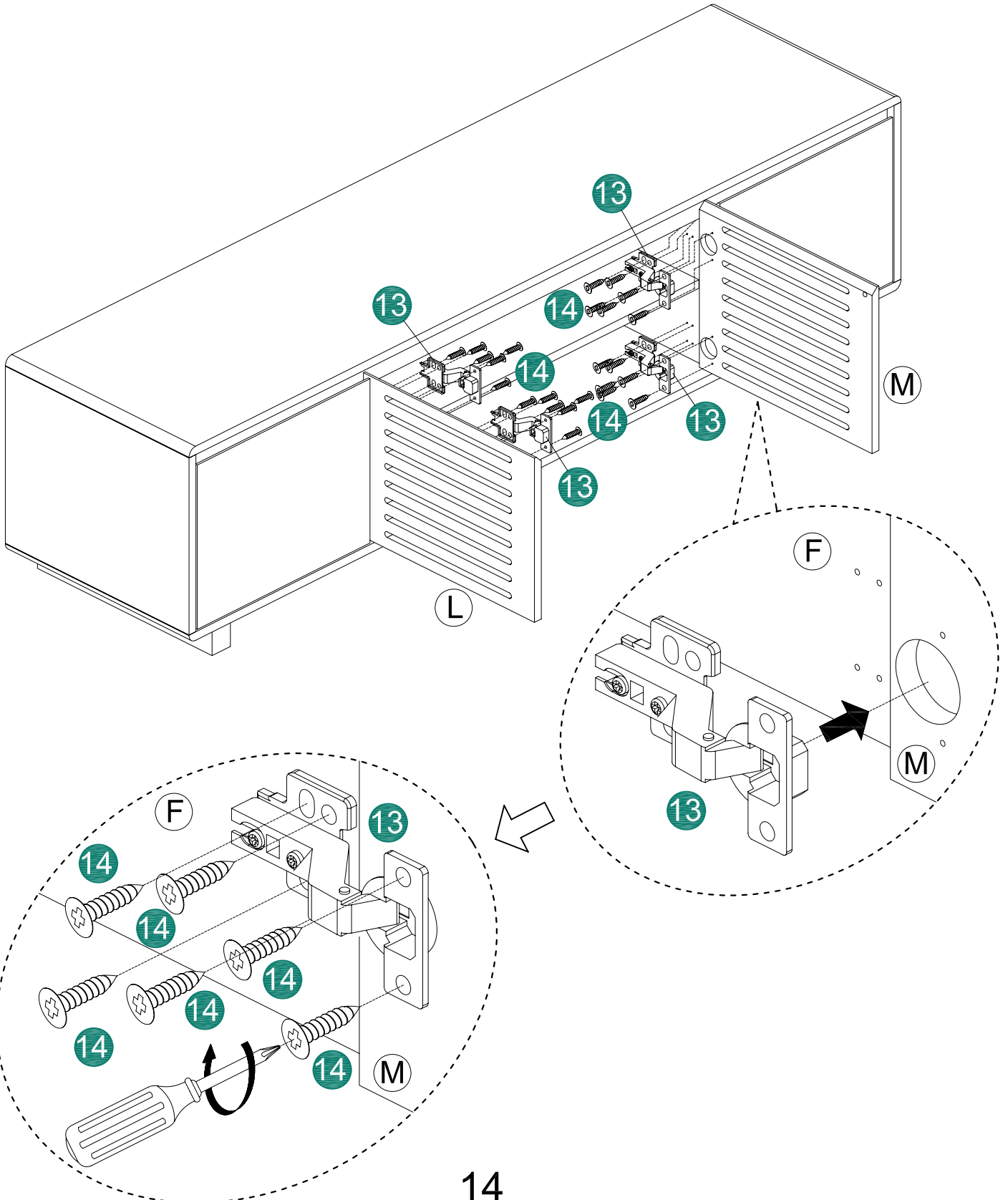
M 1pc



13 4pcs



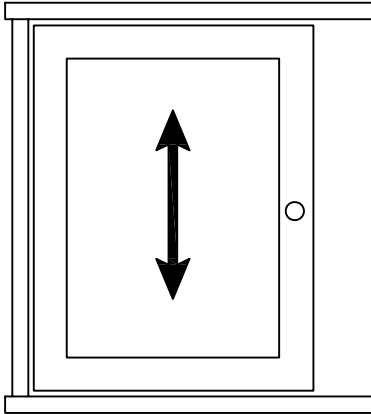
14 24pcs



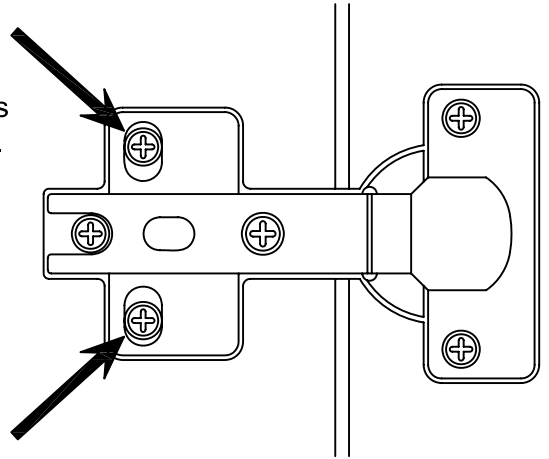
ASSEMBLY INSTRUCTIONS

10

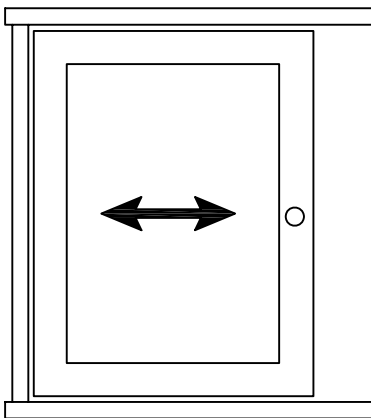
FRONT VIEW



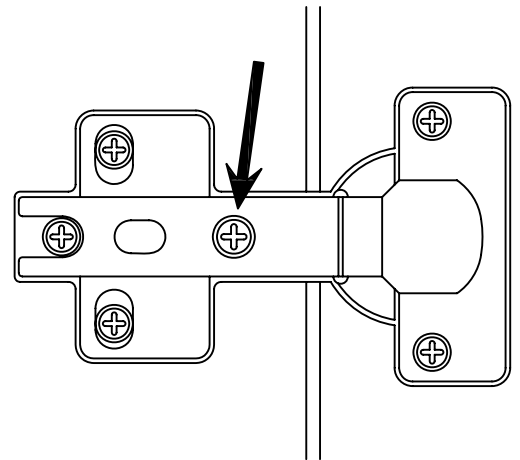
UP AND DOWN
Use screws to adjust the gaps
at the top and bottom of door.



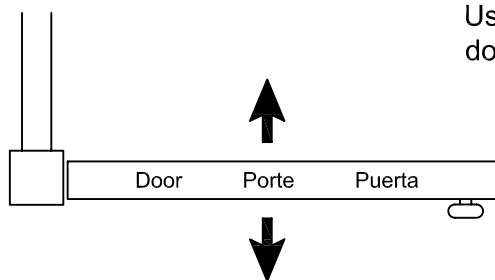
FRONT VIEW



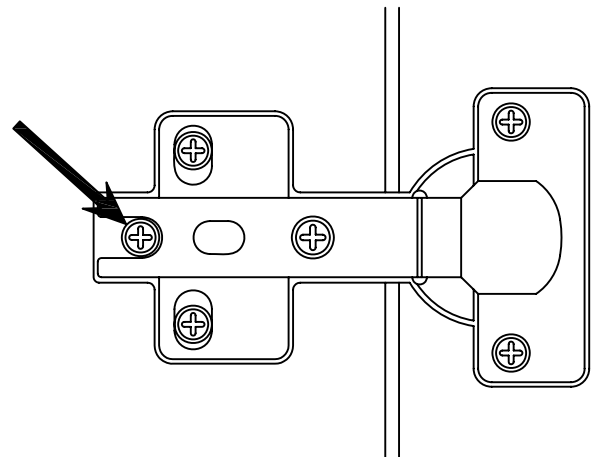
LEFT AND RIGHT
Use screw to adjust the gaps
at left and right of the door.



TOP VIEW



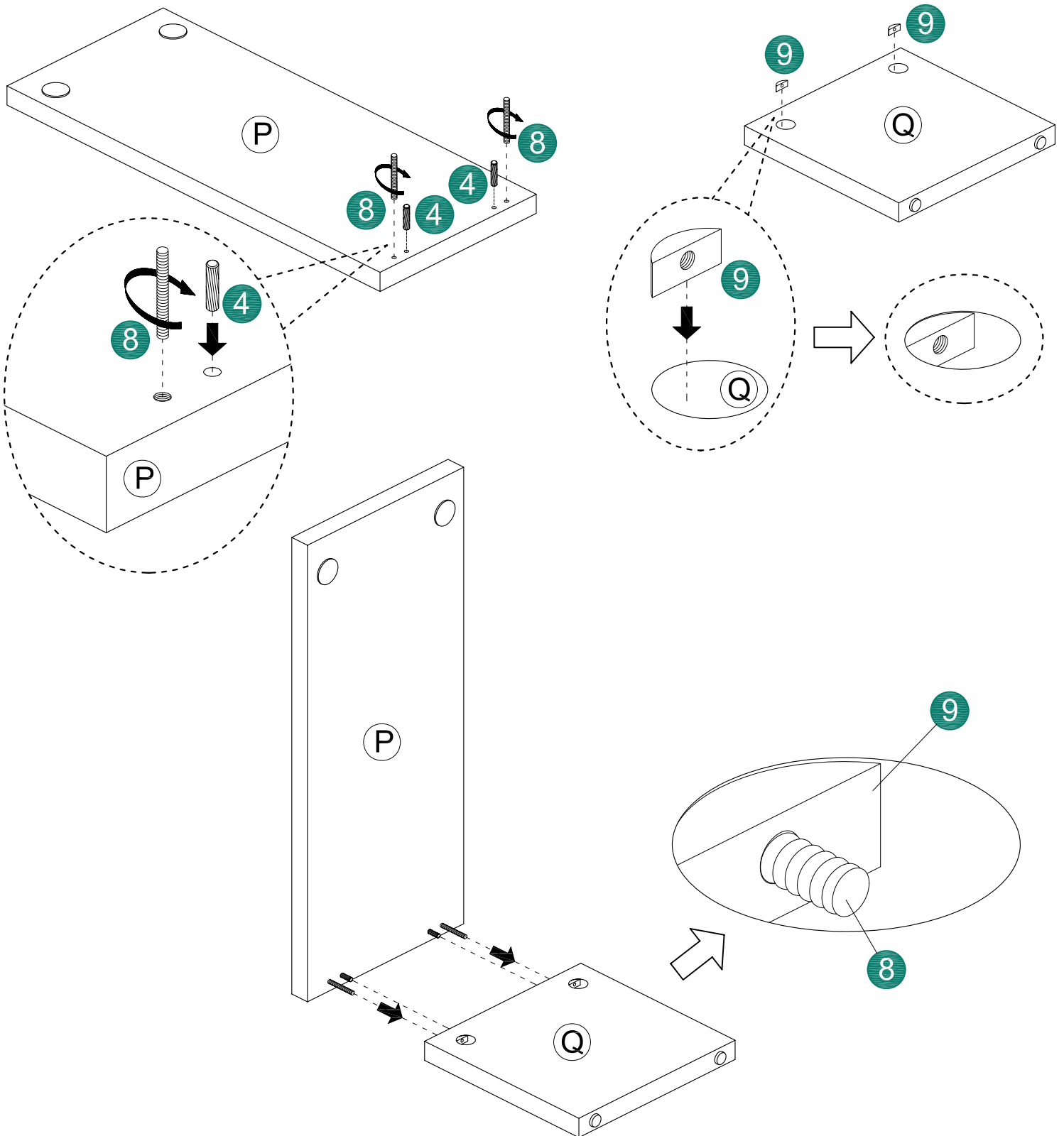
IN AND OUT
Use screw to move the
door in or out.



ASSEMBLY INSTRUCTIONS

11

Ⓟ 1pc Ⓠ 1pc ④ 2pcs ⑧ 2pcs ⑨ 2pcs

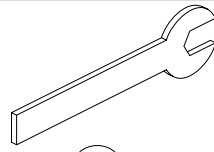


ASSEMBLY INSTRUCTIONS

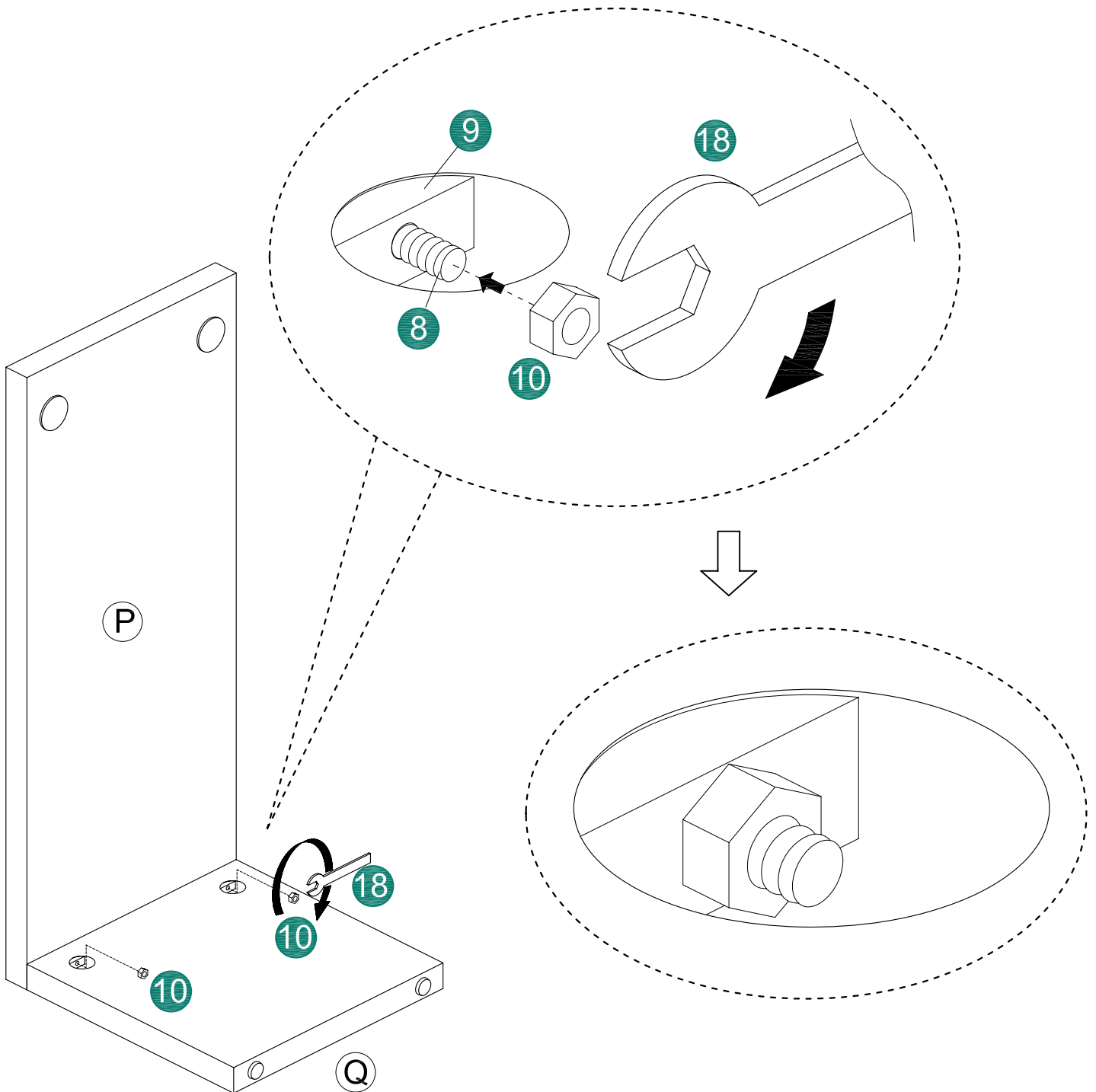
12



10 2pcs

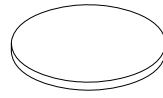


18 1pc

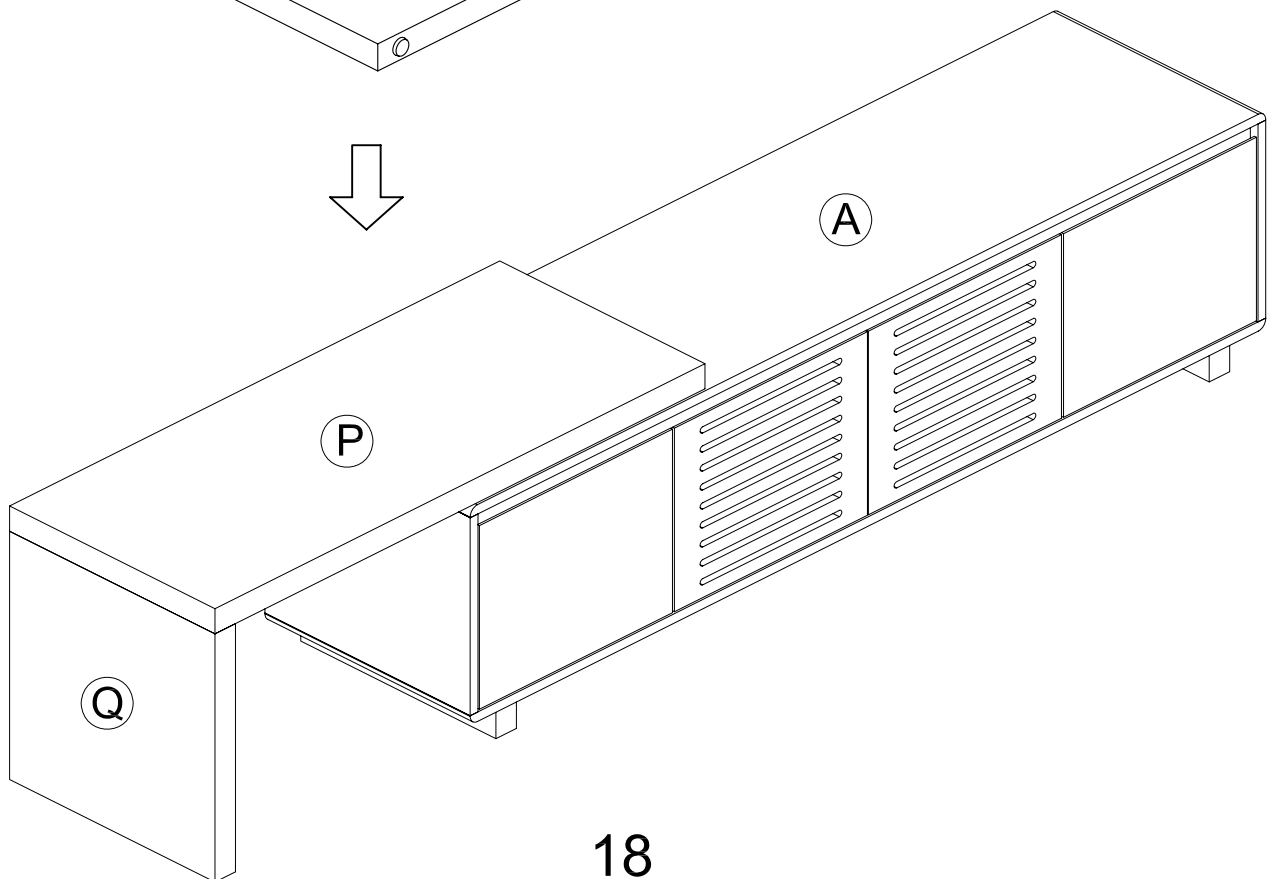
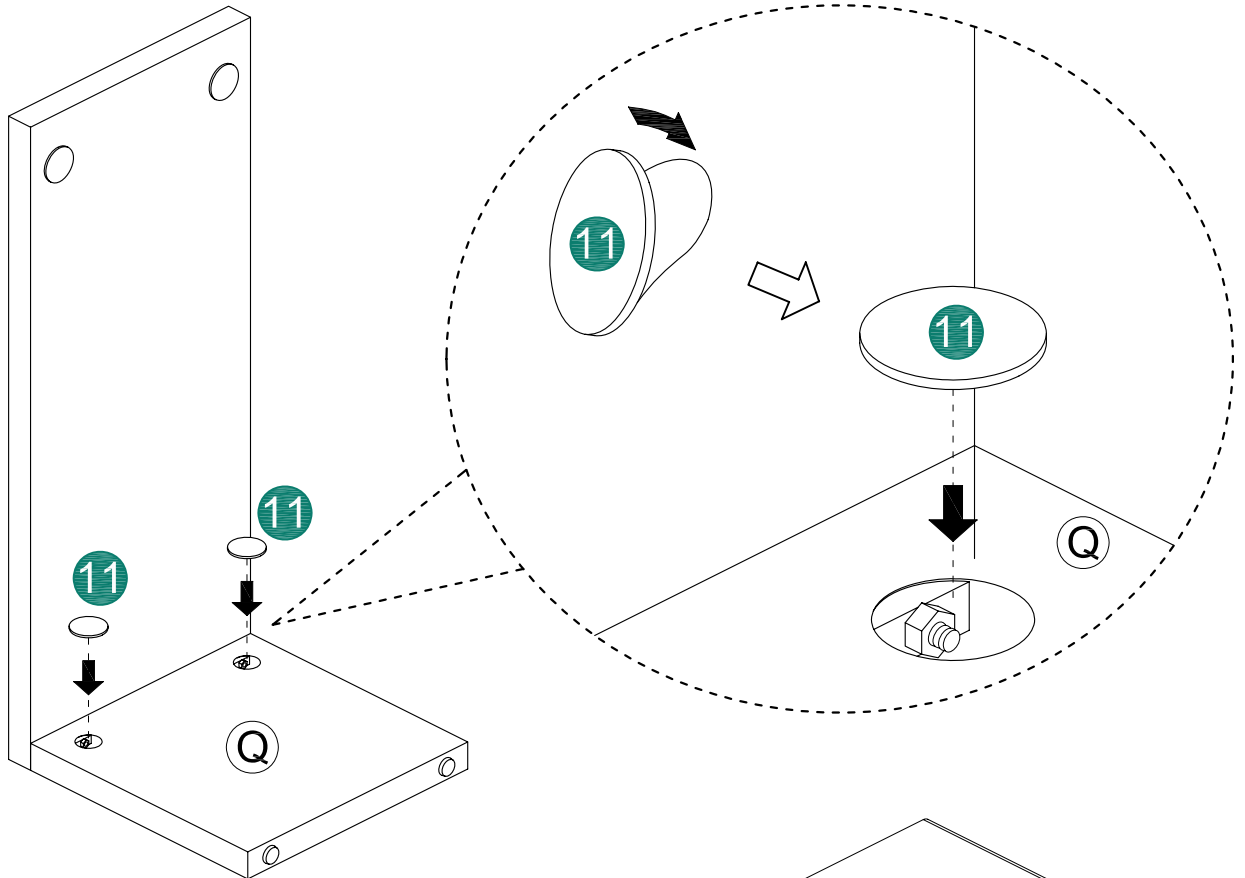


ASSEMBLY INSTRUCTIONS

13



①① 2pcs



ASSEMBLY INSTRUCTIONS

14

