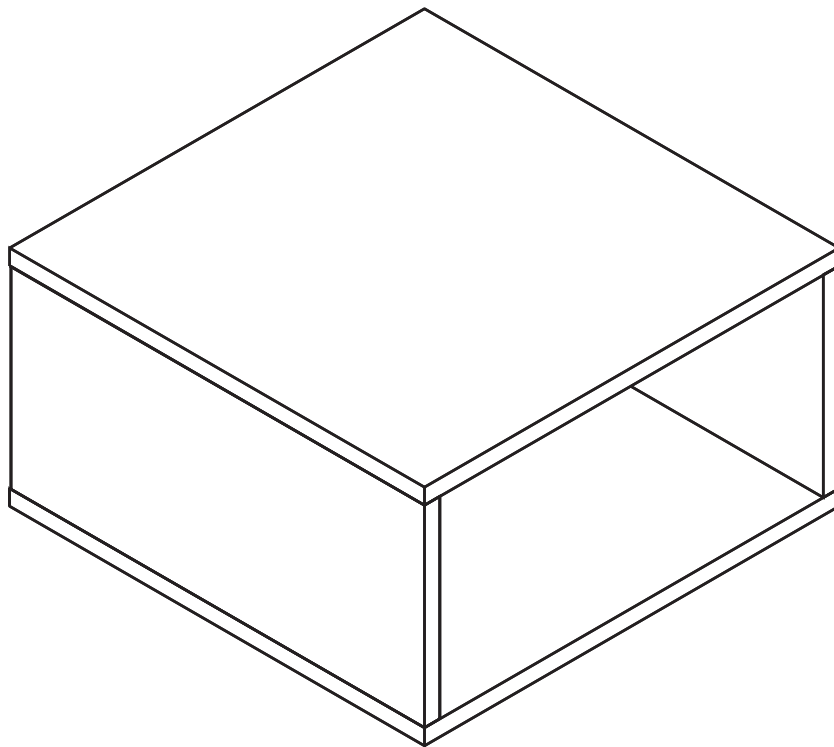




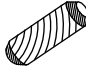




SQUARE COFFEE TABLE



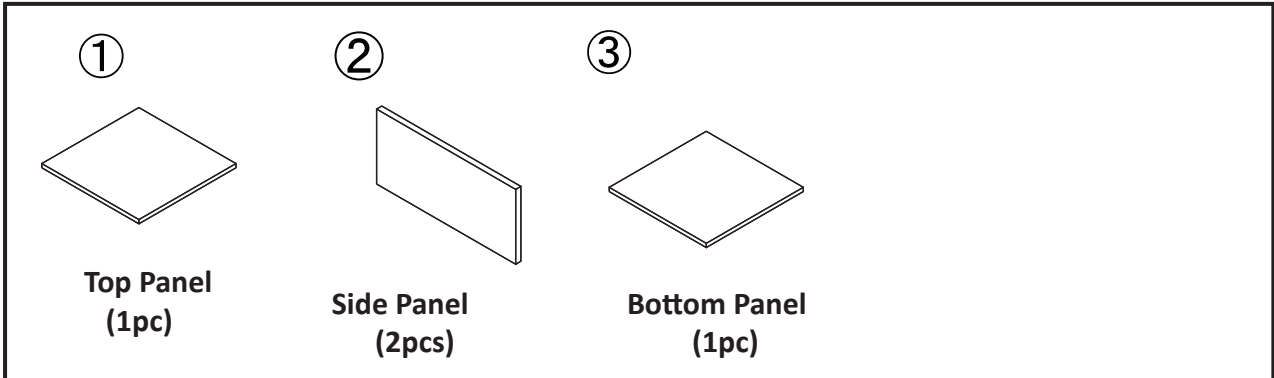
ASSEMBLY INSTRUCTIONS

We have designed our furniture with you , the customer in mind . Our clear , easy to follow , step by step instructions will guide you through the project from start to finish .
Feel confident that this will be a fun and rewarding project . The final product will be a quality piece of furniture that will go together smoothly and give years of enjoyment .

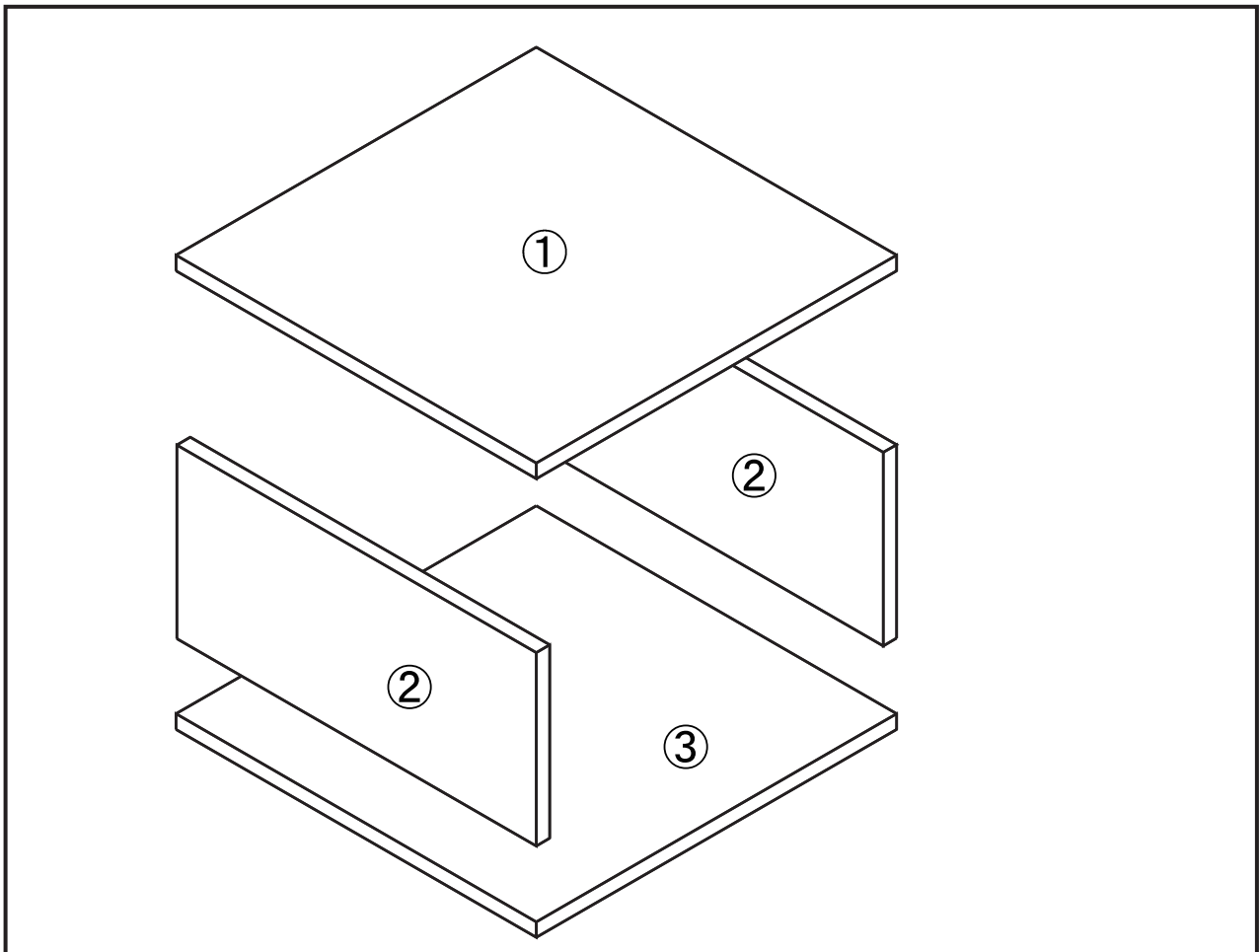
Hardware List

| | | | | | | |
|---|---|---|---|---|---|---|
| A  | B  | G  | D  | E  | F  | G  |
| Cambolt (6pcs) | Camlock (6pcs) | Wood dowel (8pcs) | Sticker (12pcs) | Large Screw (6pcs) | Allen Wrench (1pc) | Glue (1pc) |

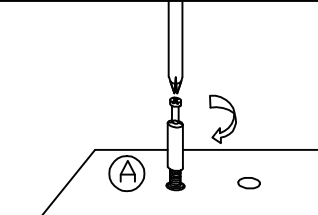
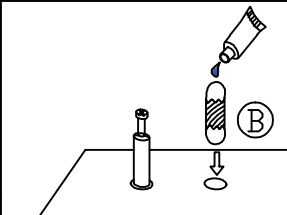
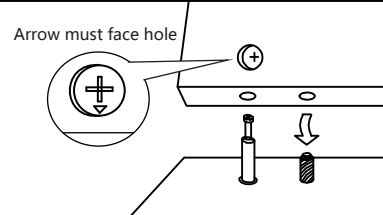
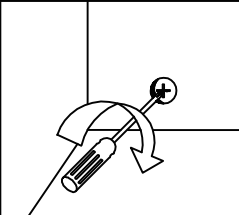
Panel List



Exploded Views

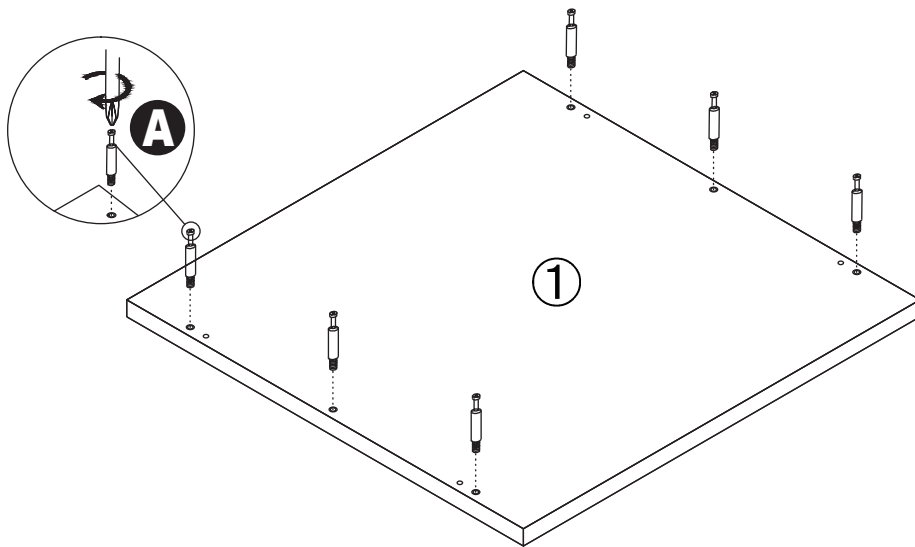


Assembling the unit with camlocks and wood dowels.

| | | | |
|---|---|---|---|
|  |  |  |  |
| Gently screw cam bolt into the threaded anchor. | Lightly glue one end of the wood dowel and tap halfway into hole. | Lightly glue wood dowel and connect to second panel by inserting dowels into holes. | Screw the camlock firmly into locked position. |

Step 1

1. Screw cambolts (A) into top panel (1) as shown .



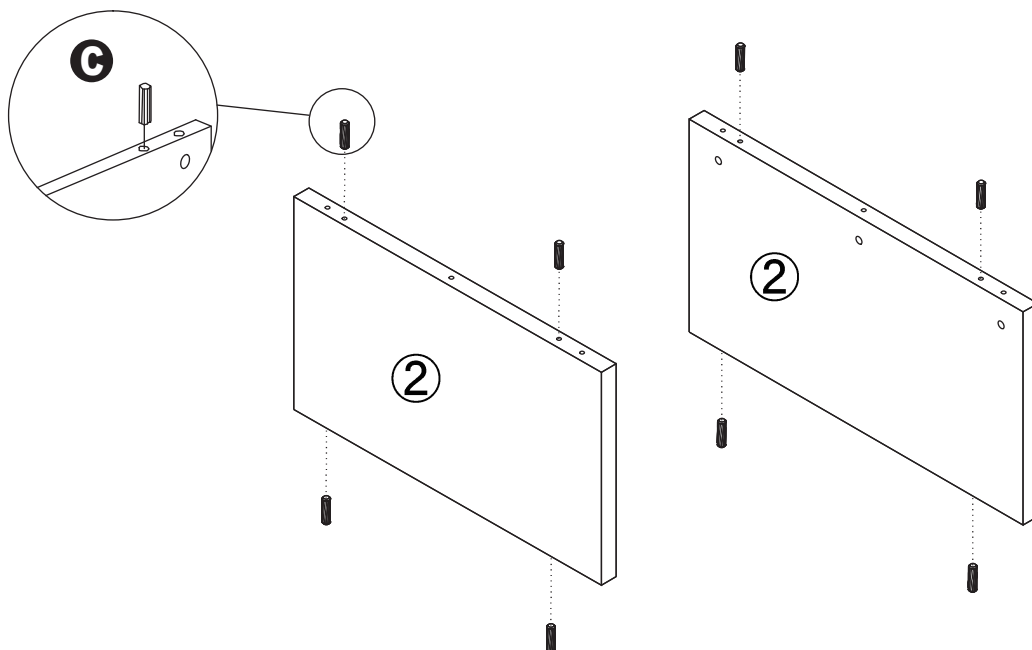
A



x 6

Step 2

1. Insert wood dowels (C) into side panels (2) as shown .



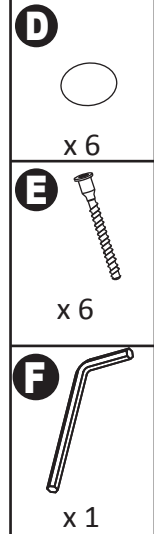
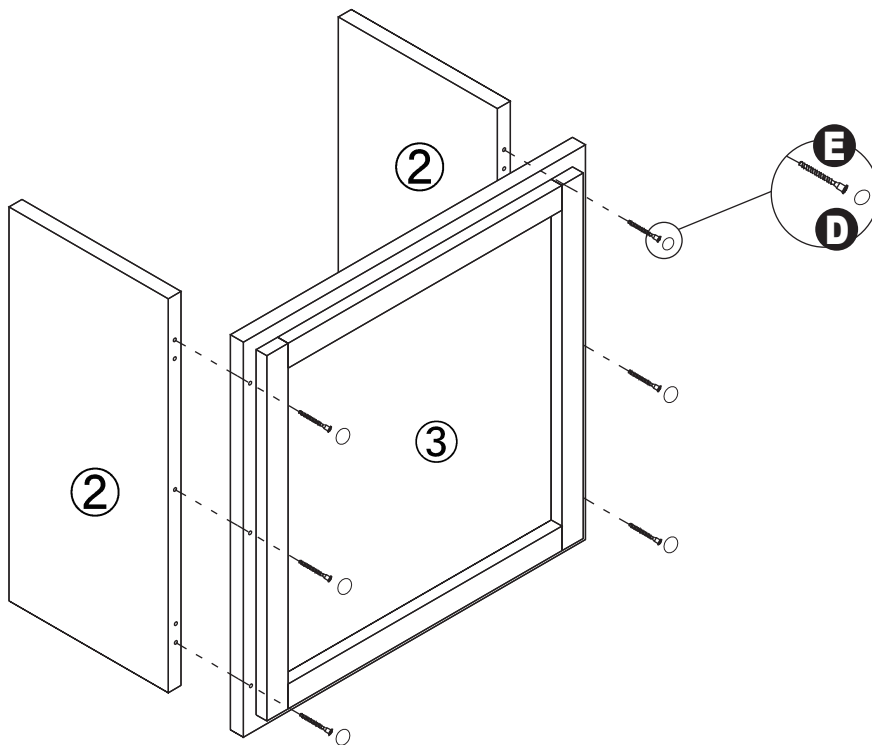
C



x 8

Step 3

1. Attach side panels (2) to bottom panel (3) as shown using large screws (E).
2. Place hole stickers (D) over screw holes.



Step 4

1. Attach top panel (1) to assembly as shown using camlocks (B), gently tighten camlocks.
2. Place hole stickers (D) over screw holes.
3. Enjoy.

