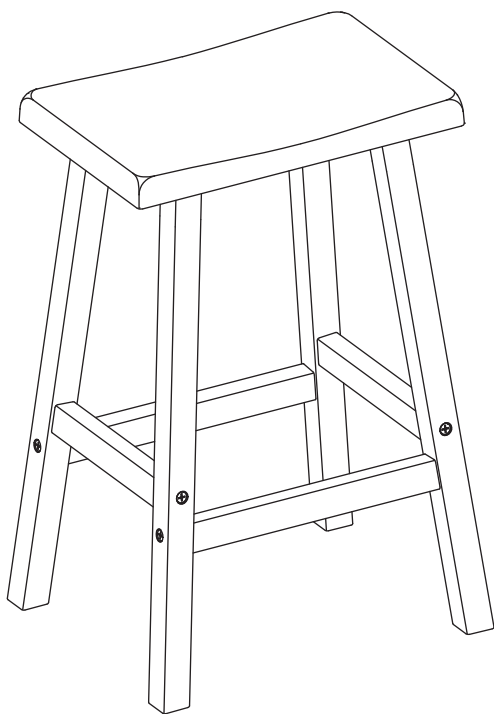


# ASSEMBLE INSTRUCTIONS



# IMPORTANT

Once installed, the product cannot be detached. Strictly follow each step in the installation manual.

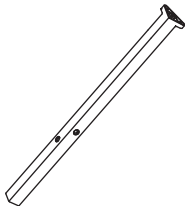
- Gather and organize all required parts prior to assembly. If you have any problems or discover any missing parts, please contact customer service.
- Some parts may contain sharp edges. Wear protective gloves if necessary during assembly.

---

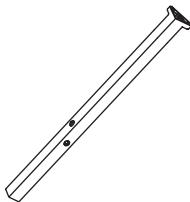
## CARE & SAFETY

- Assemble on a flat, clean and soft surface.
- In case of fire, do not attempt to extinguish any burning polypropylene with water.
- Wear safety-goggles and always follow the manufacturer's instructions when using power tools.
- During installation, please refer to the accessories guide to ensure that they are installed in the correct directions.
- Do not stand on the lid.

# PARTS LIST



**210-L1(X2)**



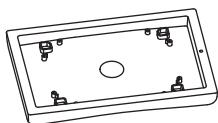
**210-L2(X2)**



**210-1(X2)**



**210-2(X2)**



**210-F(X1)**



**M5x16mm**

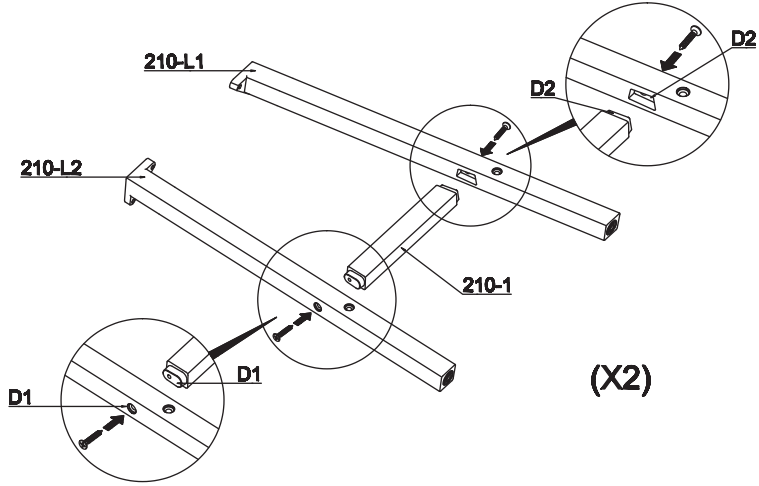
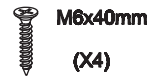
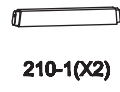
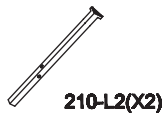
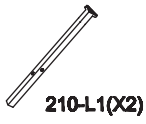
**(X8)**



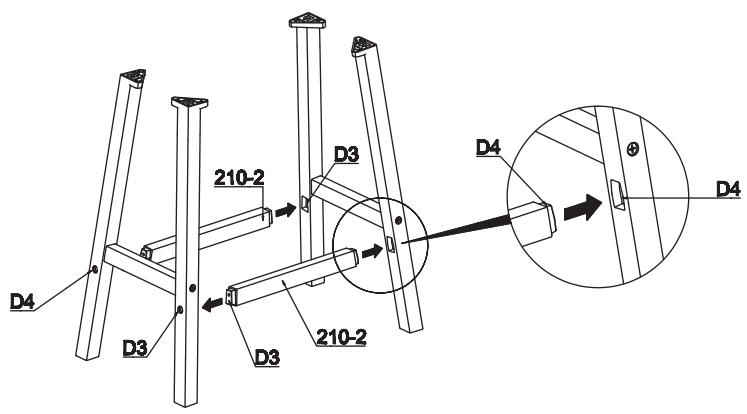
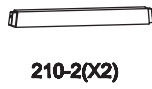
**M6x40mm**

**(X8)**

1



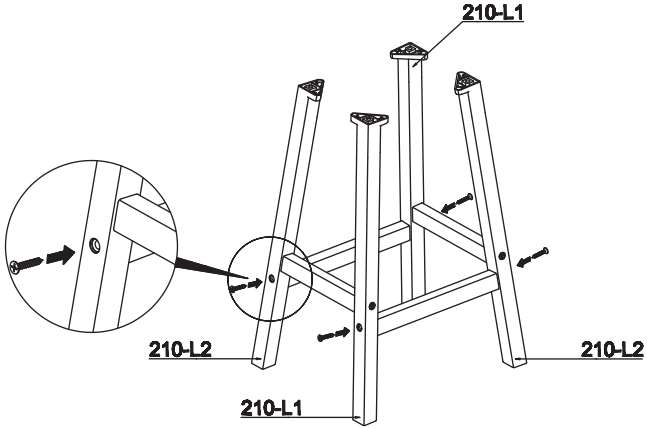
2



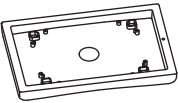
3

3

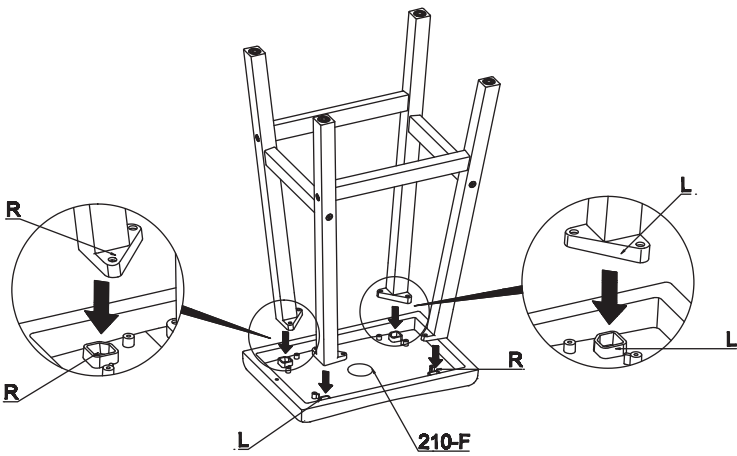
M6x40mm  
(X4)



4



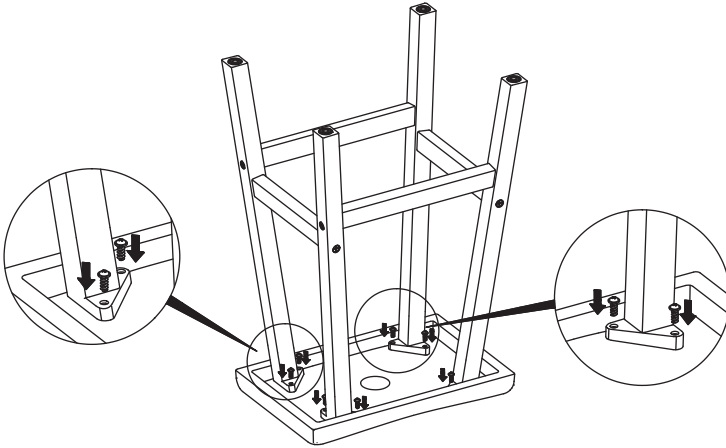
210-F(X1)



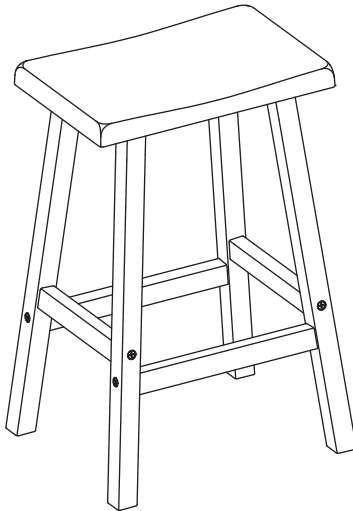
5



M5x16mm  
(X8)



6



5