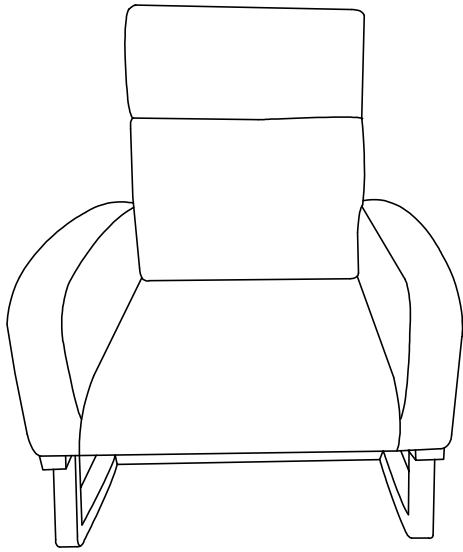
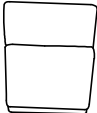

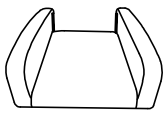
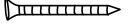
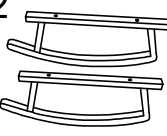
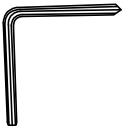


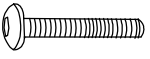
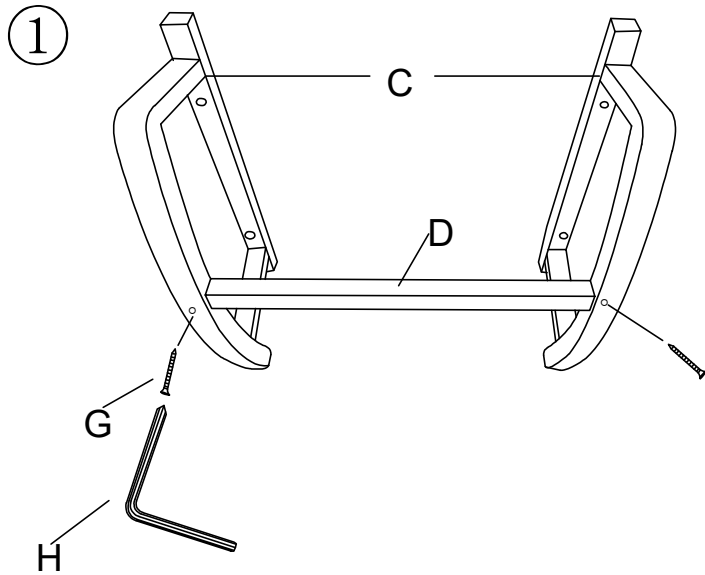


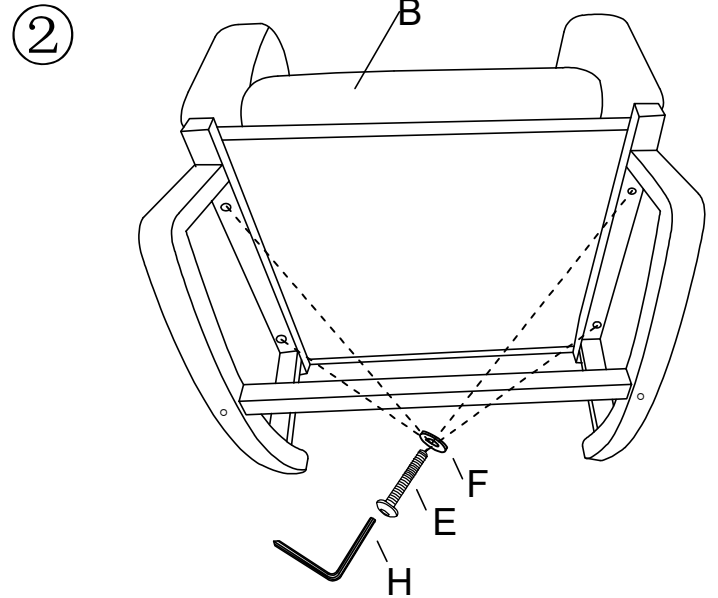
ASSEMBLY INSTRUCTION



Ax1 	Fx4 
Bx1 	Gx2 
Cx2 	Hx1 
Dx1 	Jx2 
Ex4 	



Please rotate all the screws to 60% firstly, after insert all screws, then fix them to 100%



Please rotate all the screws to 60% firstly, after insert all screws, then fix them to 100%

