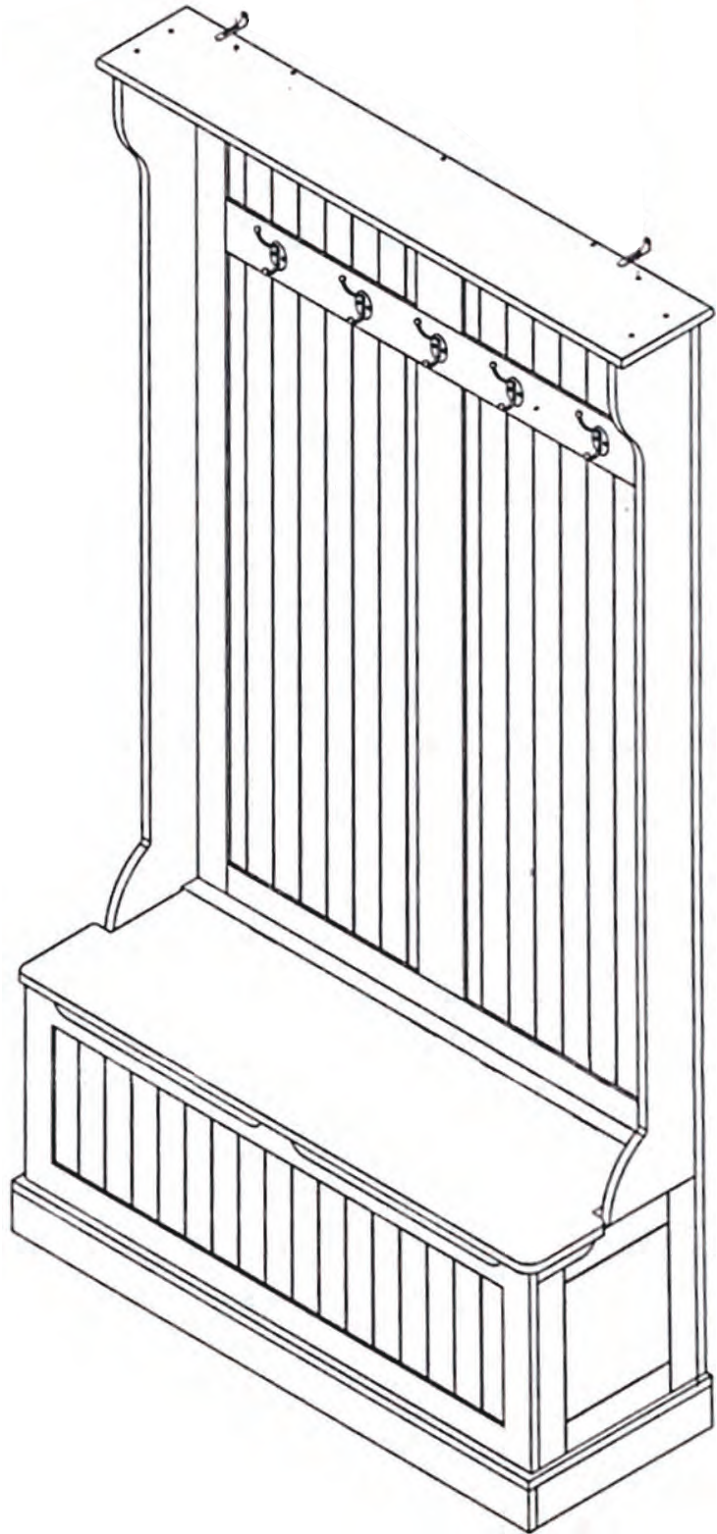















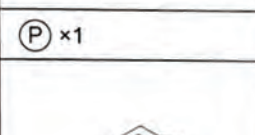
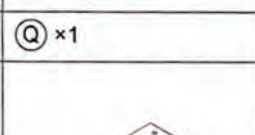
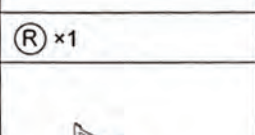
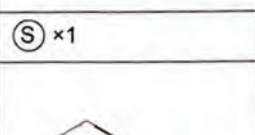
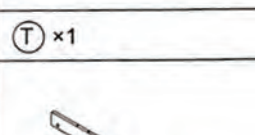
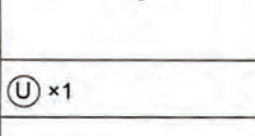
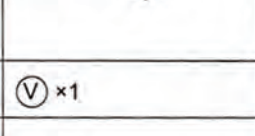
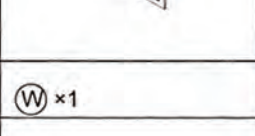
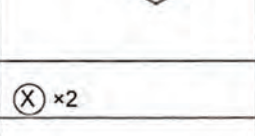










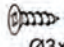






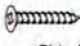
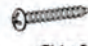

*ASSEMBLY INTRODUCTION*



# Panels

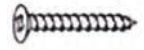
Ⓐ ×1 	Ⓑ ×1 	Ⓒ ×1 	Ⓓ ×2 	Ⓔ ×1 
Ⓕ ×1 	Ⓖ ×2 	Ⓗ ×1 	Ⓘ ×1 	Ⓙ ×1 
Ⓚ ×1 	Ⓛ ×1 	Ⓜ ×1 	Ⓝ ×1 	Ⓞ ×1 
Ⓟ ×1 	Ⓠ ×1 	Ⓡ ×1 	Ⓢ ×1 	Ⓣ ×1 
Ⓤ ×1 	Ⓡ ×1 	Ⓦ ×1 	Ⓧ ×2 	

# Fittings

① ×12  Ø6×35mm	② ×26 	③ ×5 	④ ×22 	⑤ ×46 	⑥ ×14  Ø6×50mm	⑦ ×1 
⑧ ×3 	⑨ ×16  Ø3×12mm	⑩ ×10  Ø3×12mm	⑪ ×4  Ø4×12mm	⑫ ×2 	⑬ ×10  Ø4×60mm	⑭ ×2 
⑮ ×3 	⑯ ×2  Ø4×30mm	⑰ ×4  Ø4×30mm	⑱ ×14 			

# Step 1

④ x3



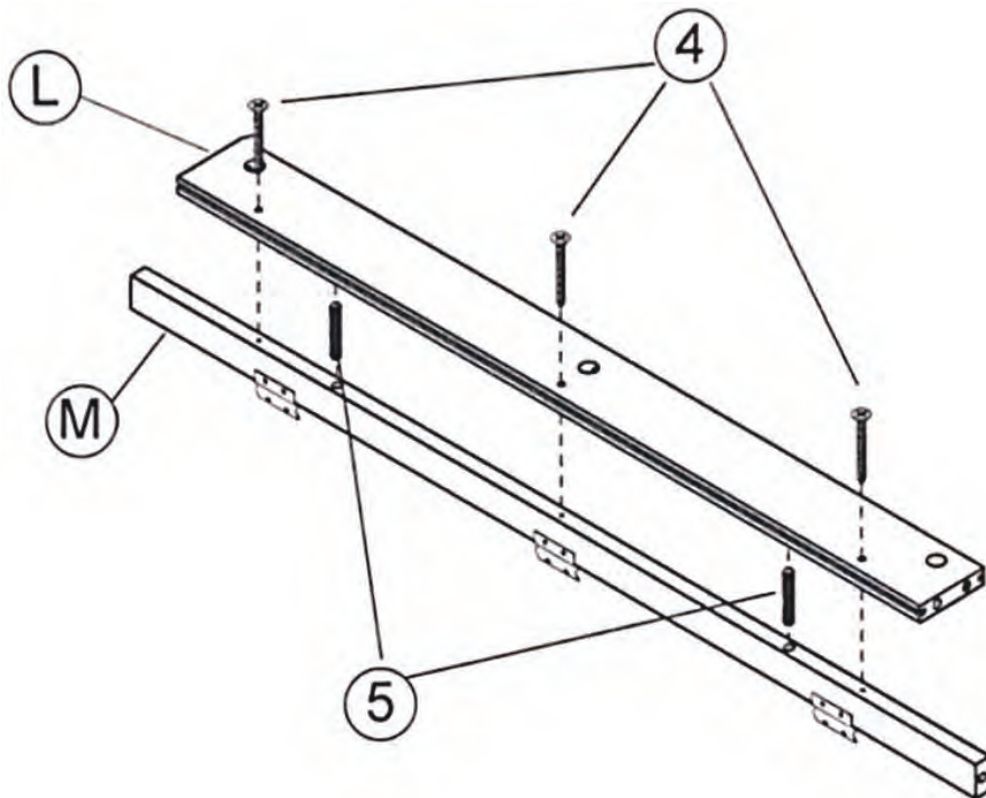
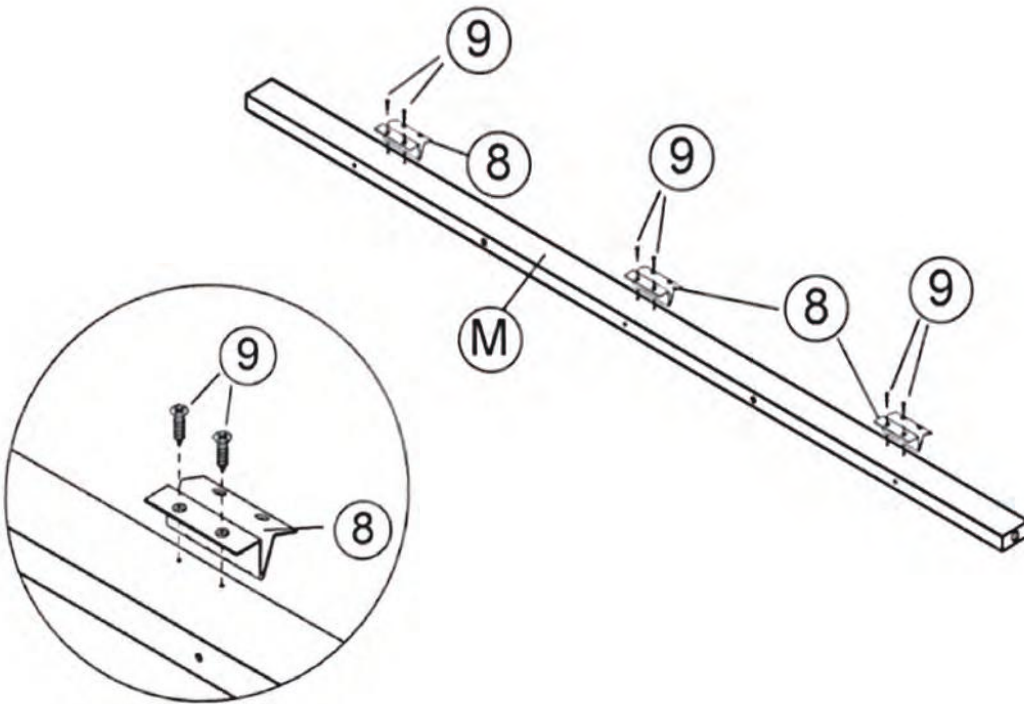
⑤ x2



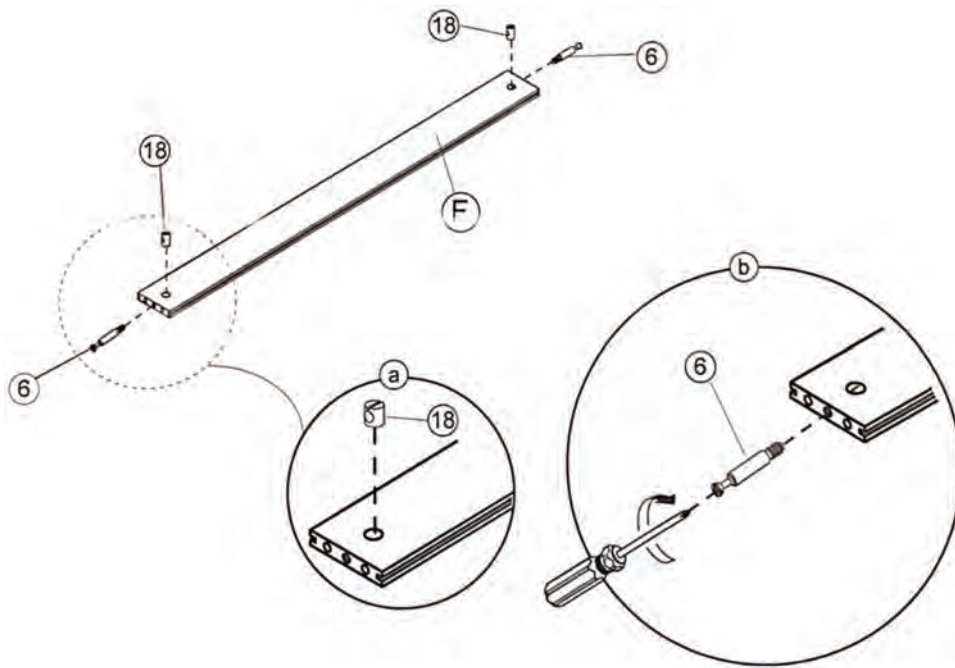
⑧ x3



⑨ x6



# Step 2



② x2



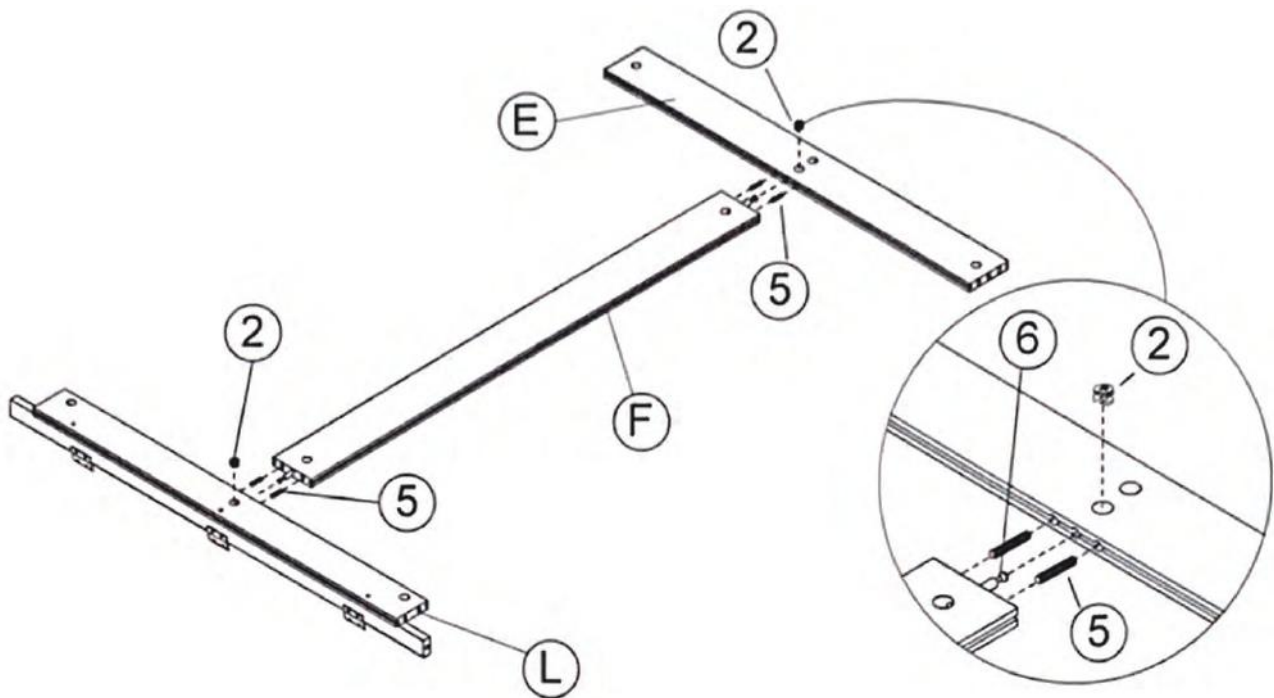
⑤ x4



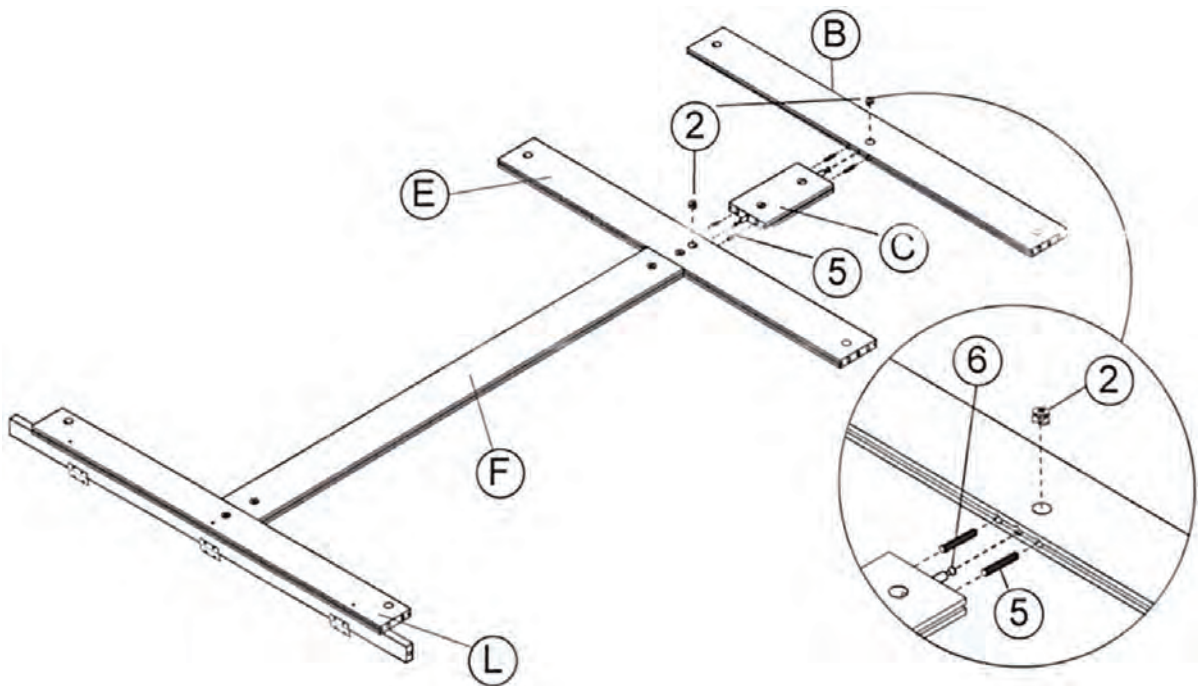
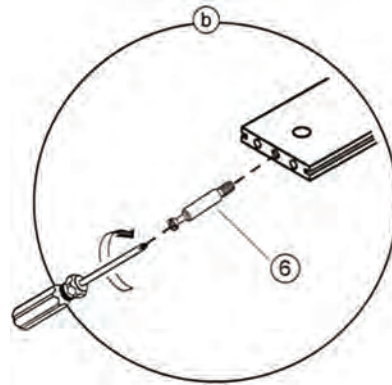
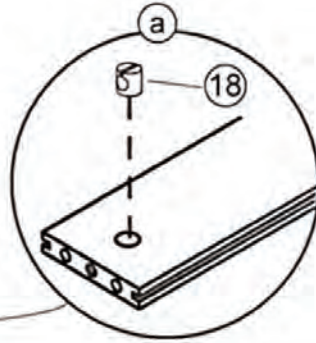
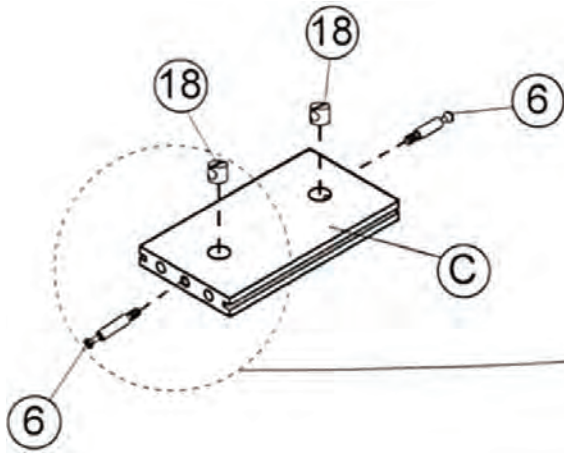
⑥ x2



⑱ x2



# Step 3



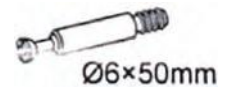
② x2



⑤ x4



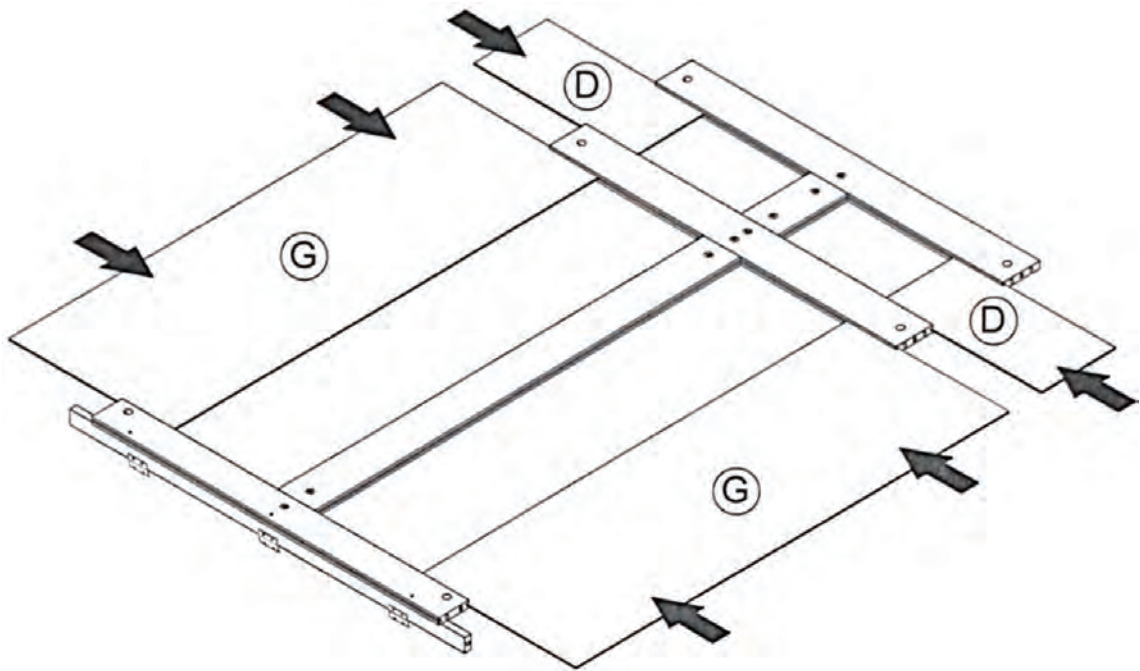
⑥ x2



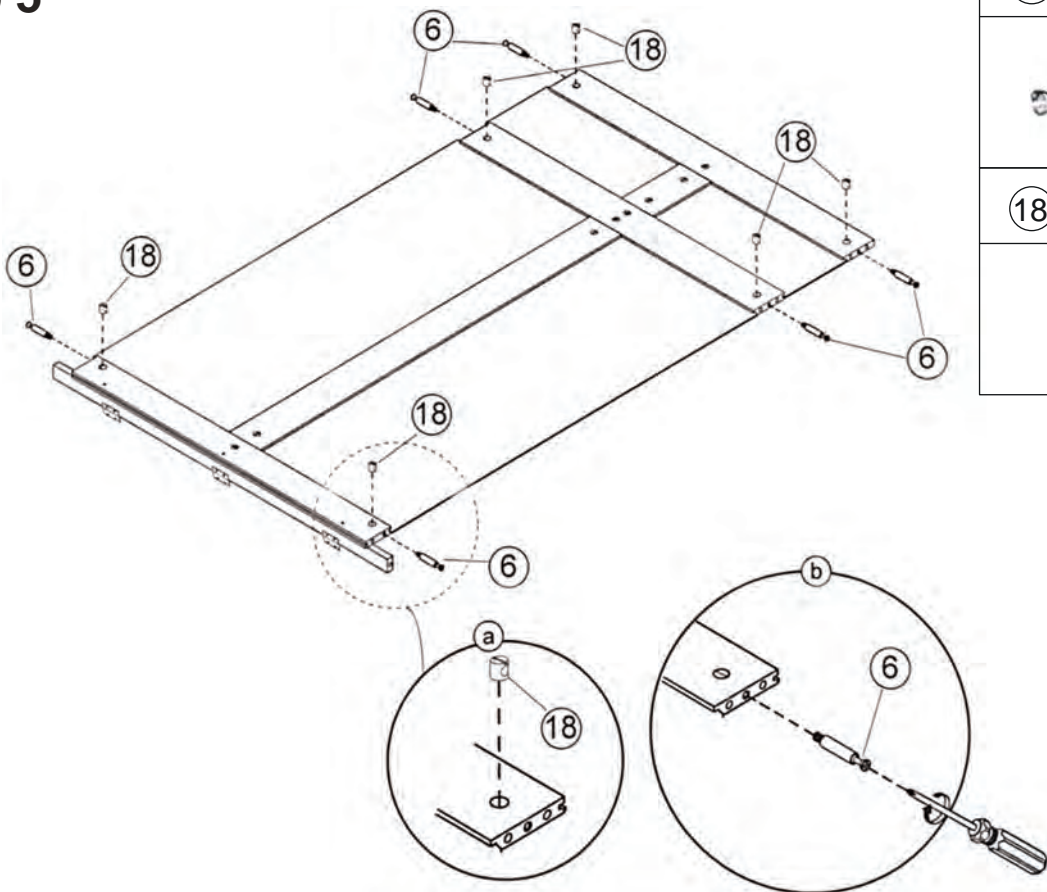
⑱ x2



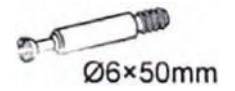
## Step 4



## Step 5



⑥ x6



⑱ x6



## Step 6

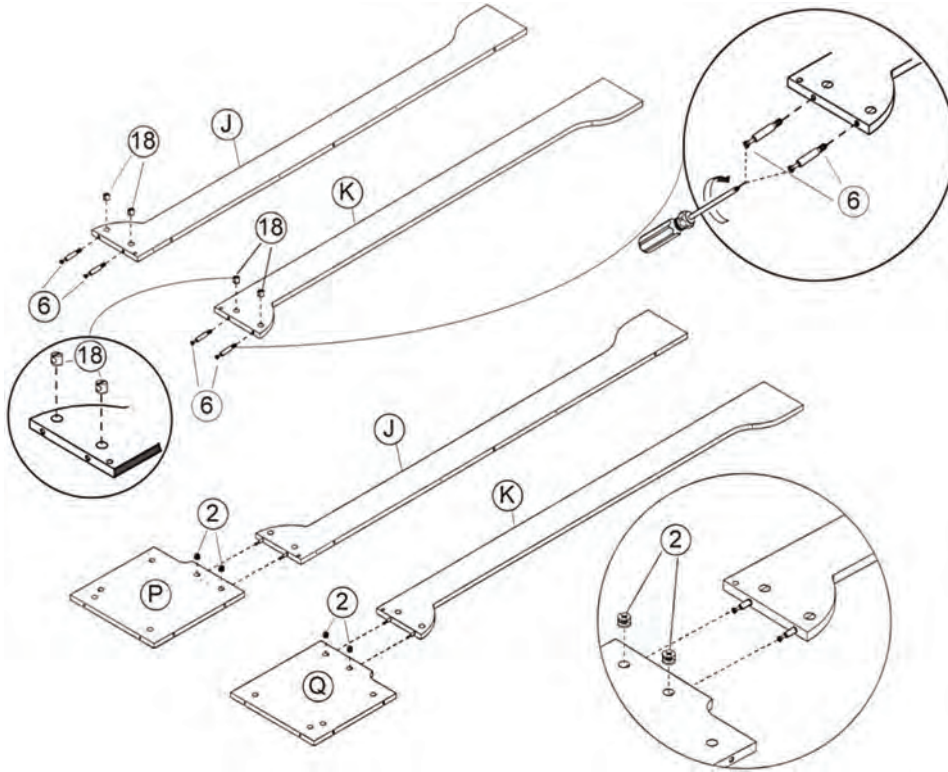
② x4



⑥ x4

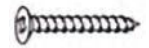


⑱ x4

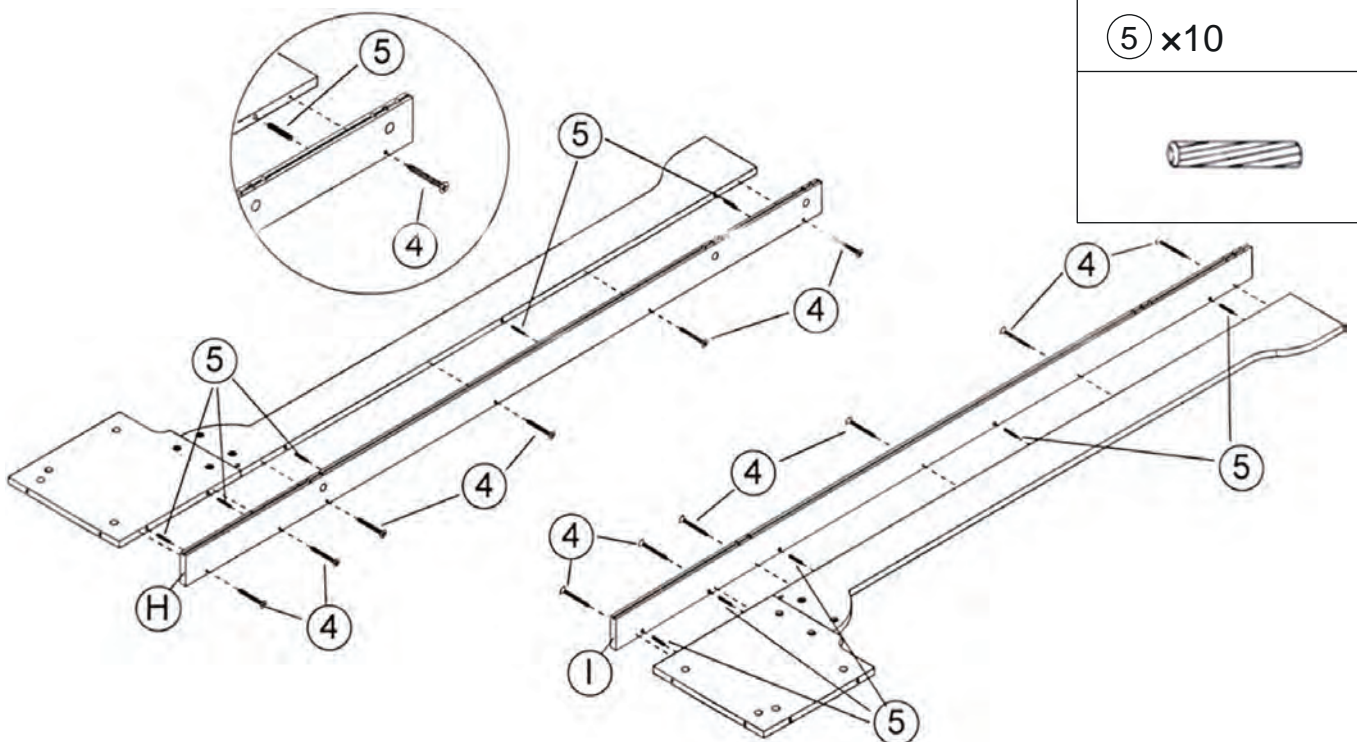


## Step 7

④ x12



⑤ x10

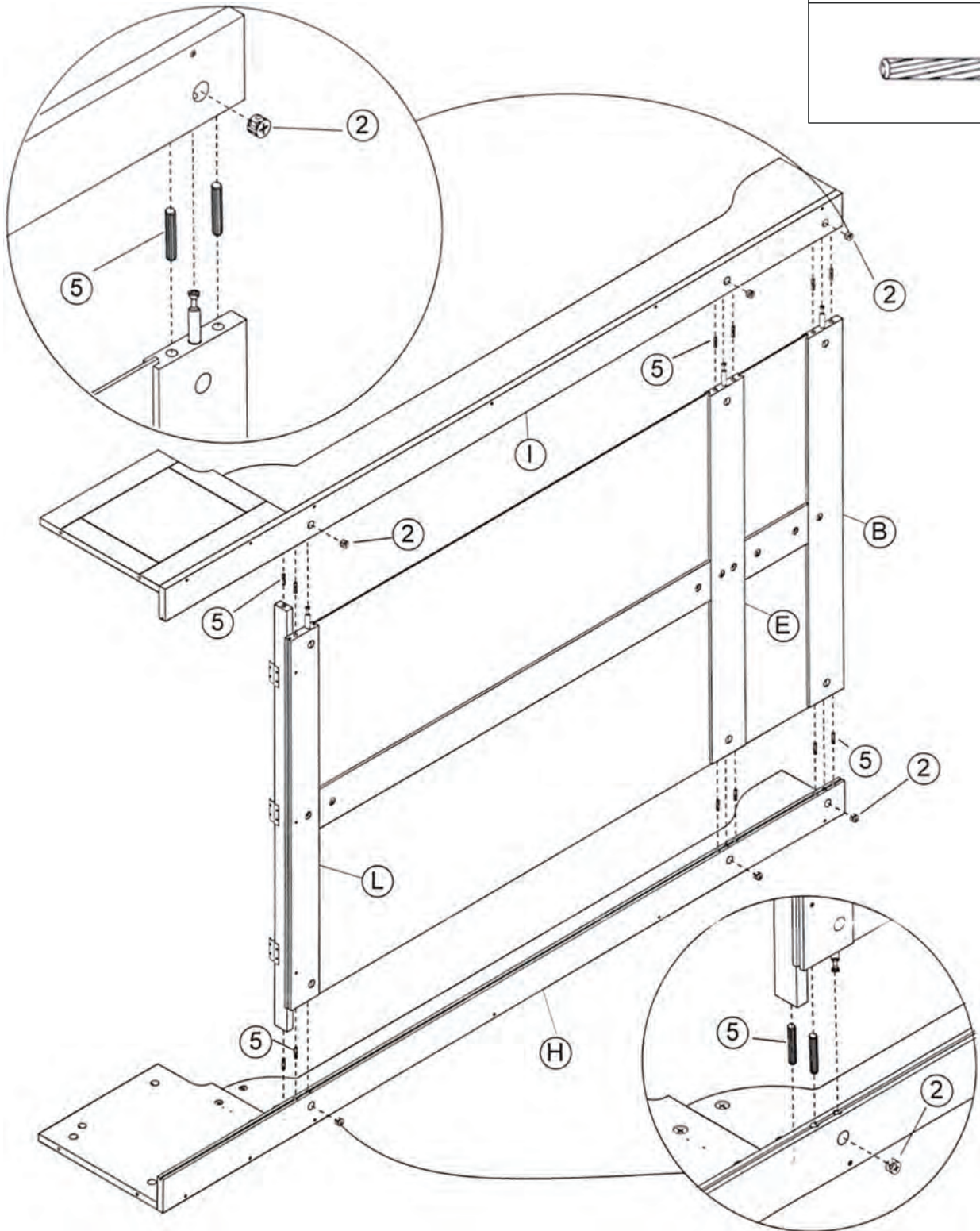


# Step 8

② x6



⑤ x12

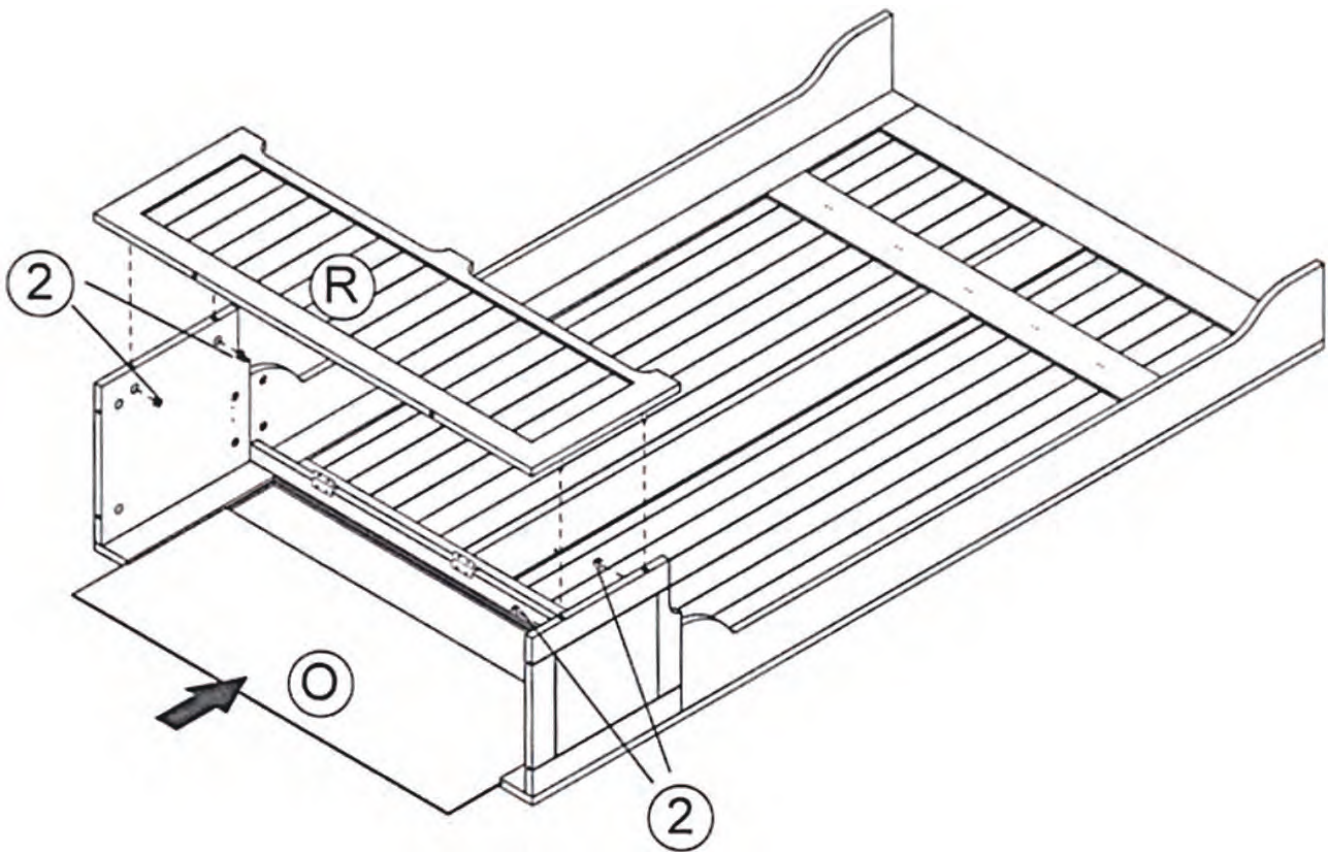
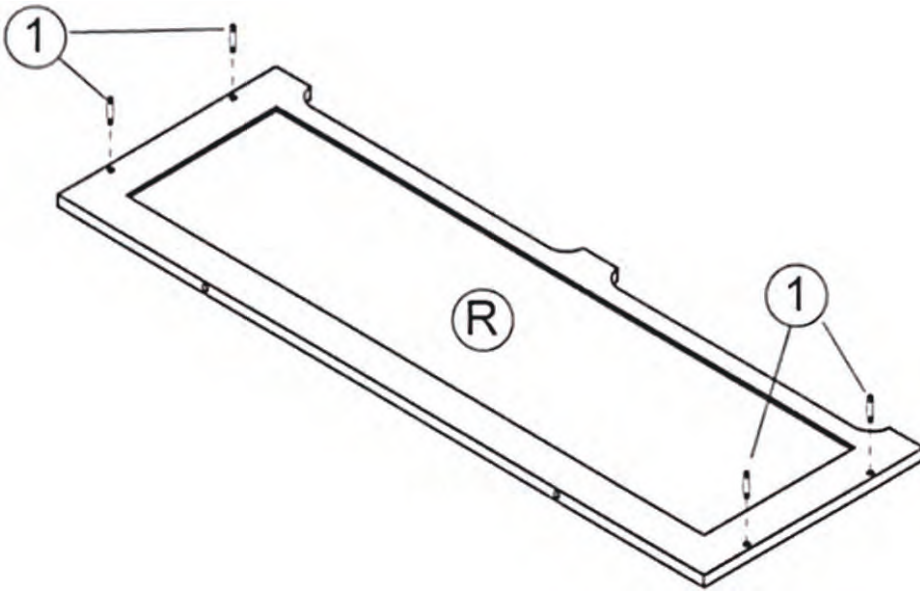


# Step 9

① x4



② x4



# Step 10

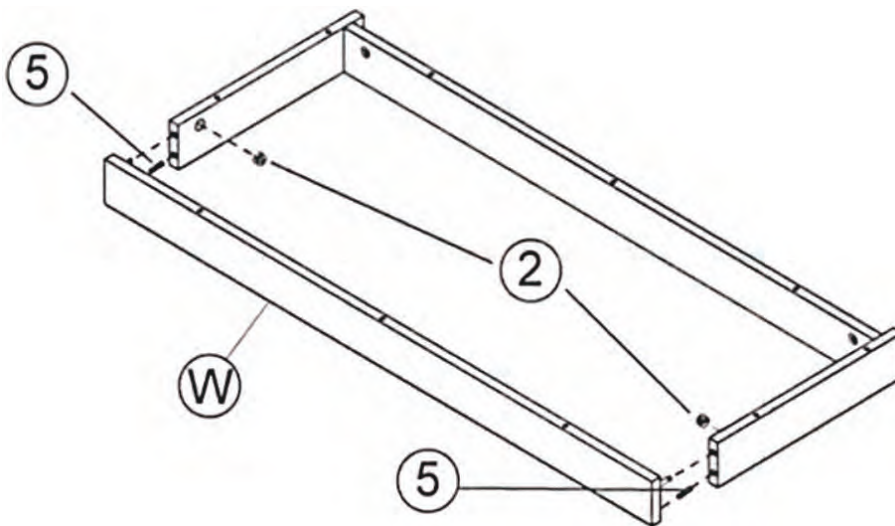
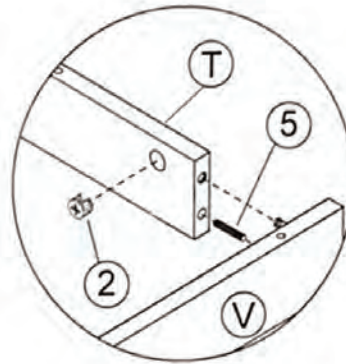
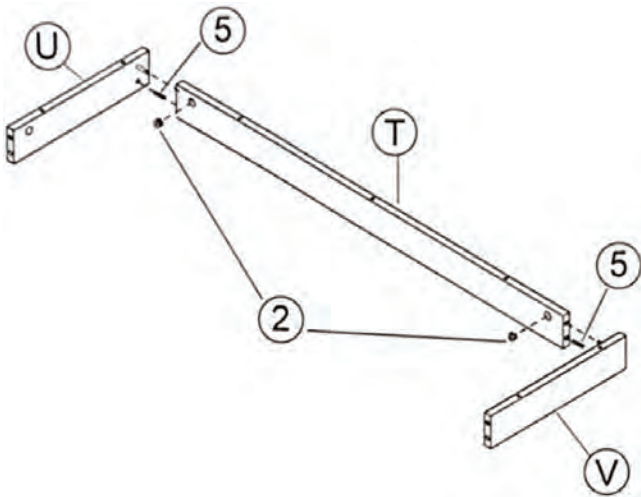
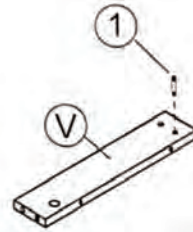
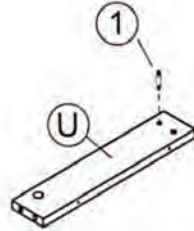
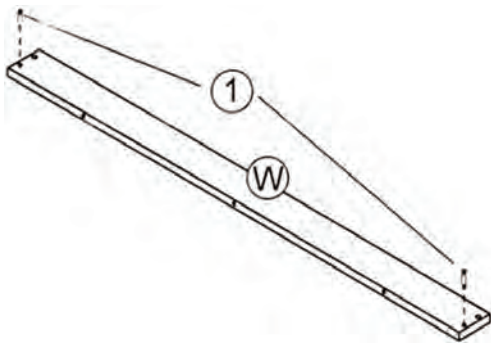
① x4



② x4



⑤ x4



# Step 11

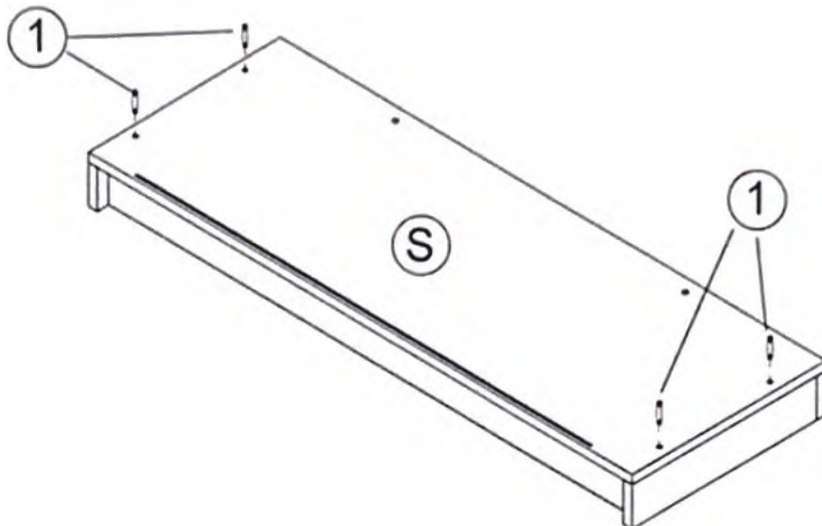
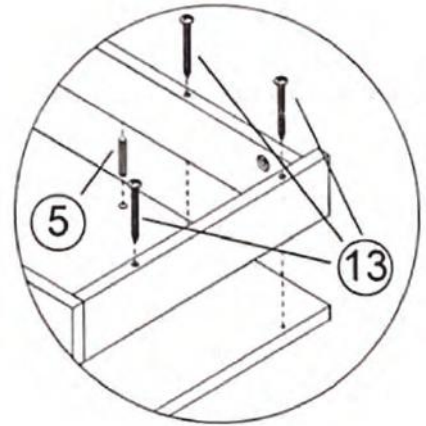
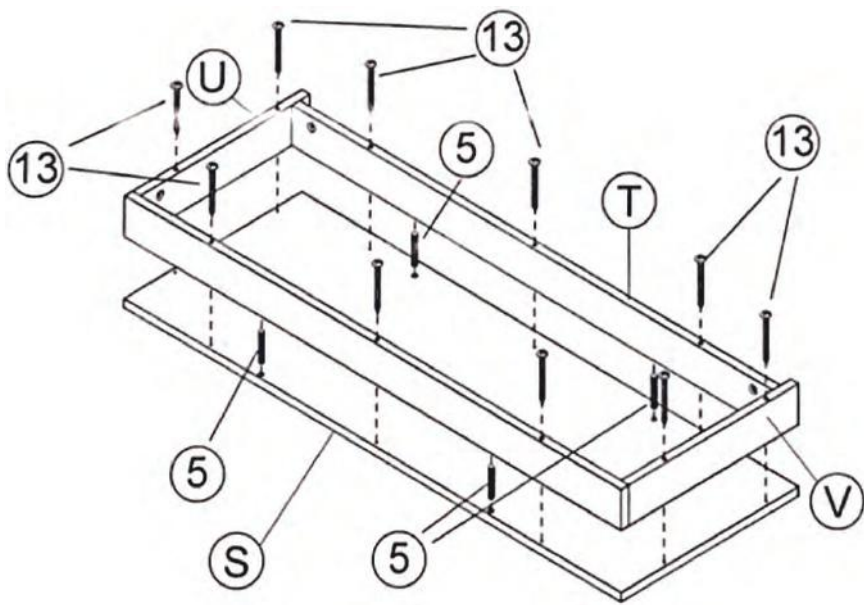
① x4



⑤ x4



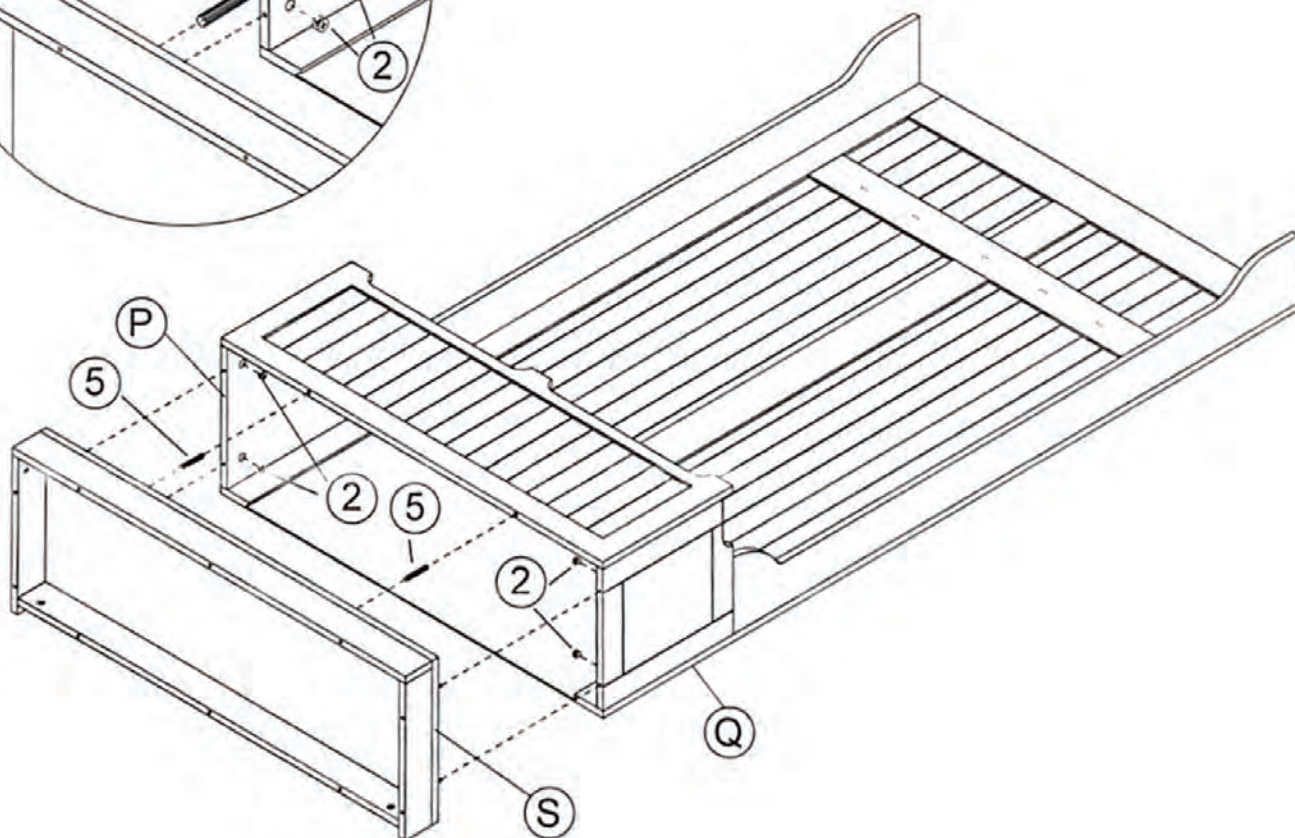
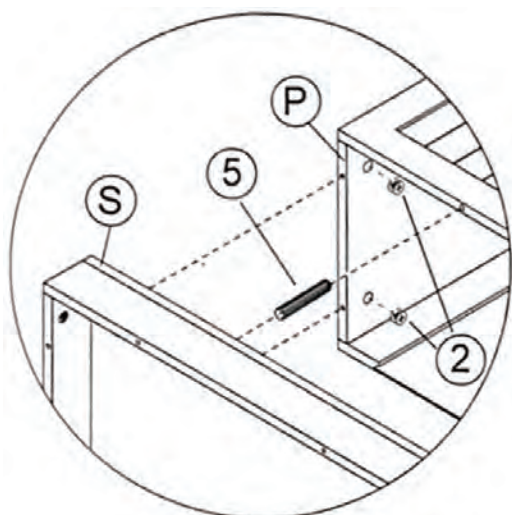
⑬ x10



# Step 12

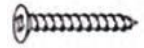
② x4

⑤ x2



# Step 13

④ x7



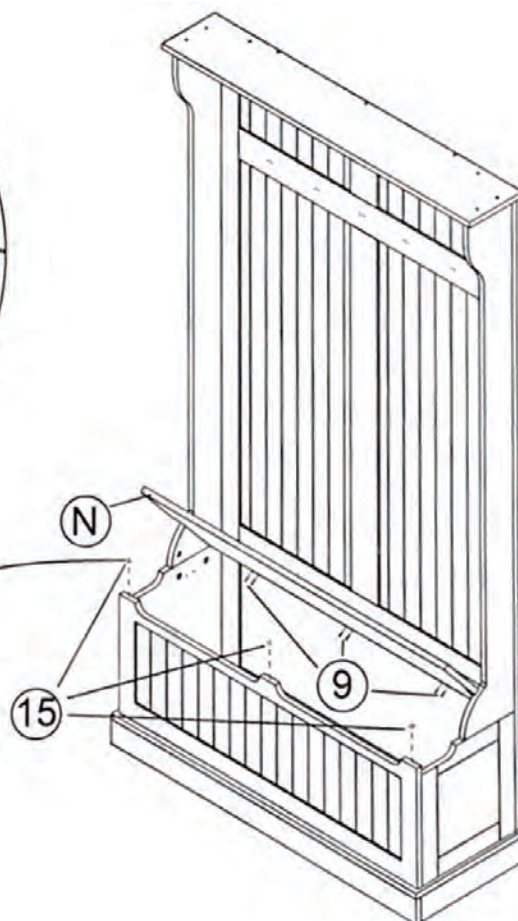
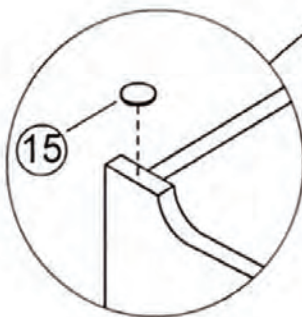
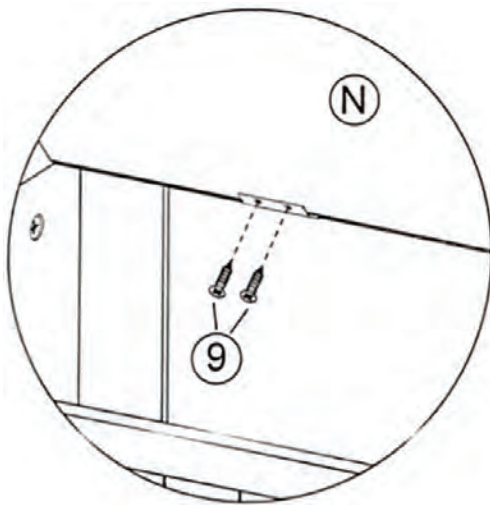
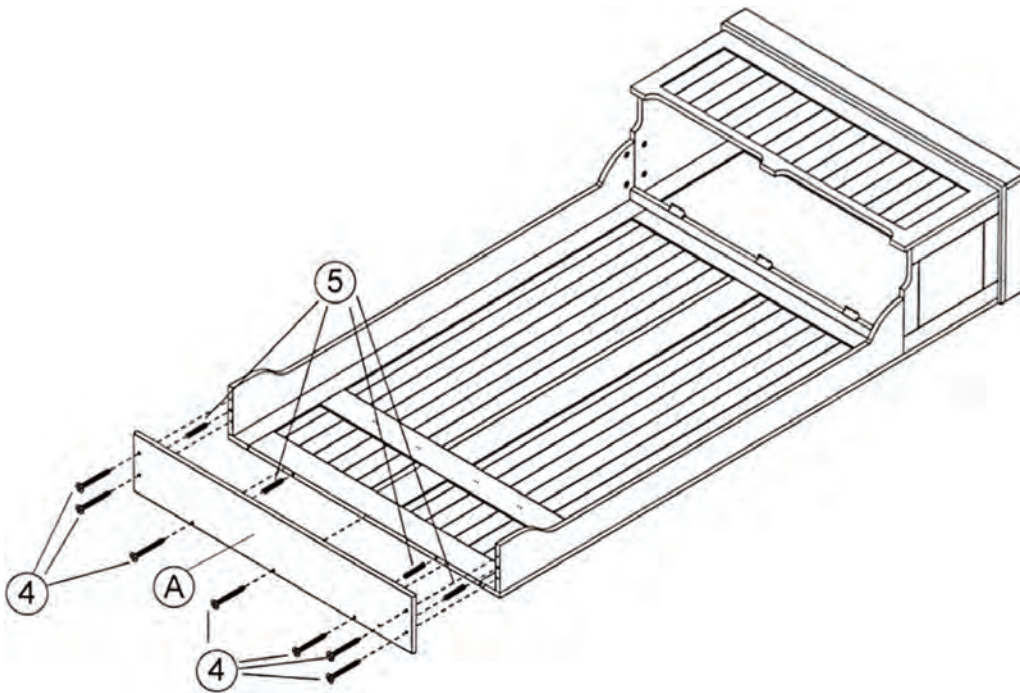
⑤ x4



⑨ x6

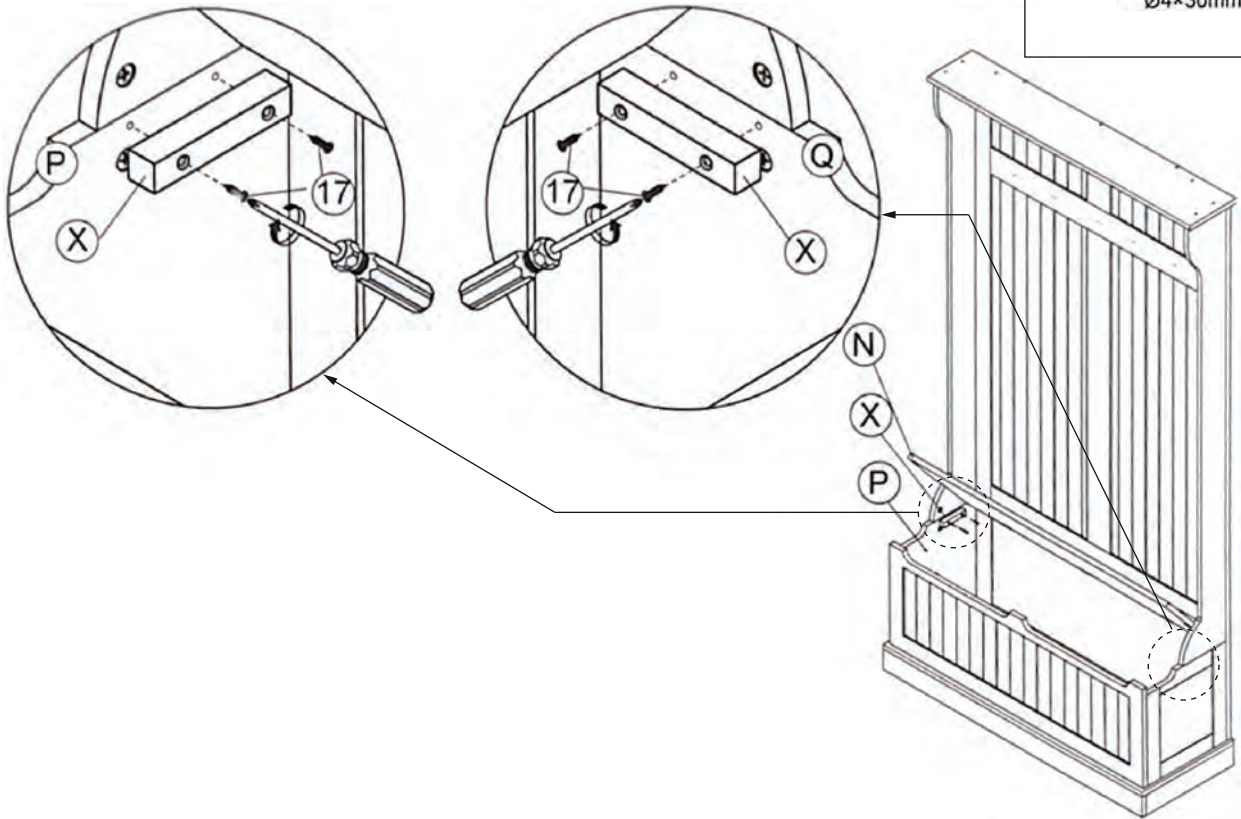


⑮ x3



## Step 14

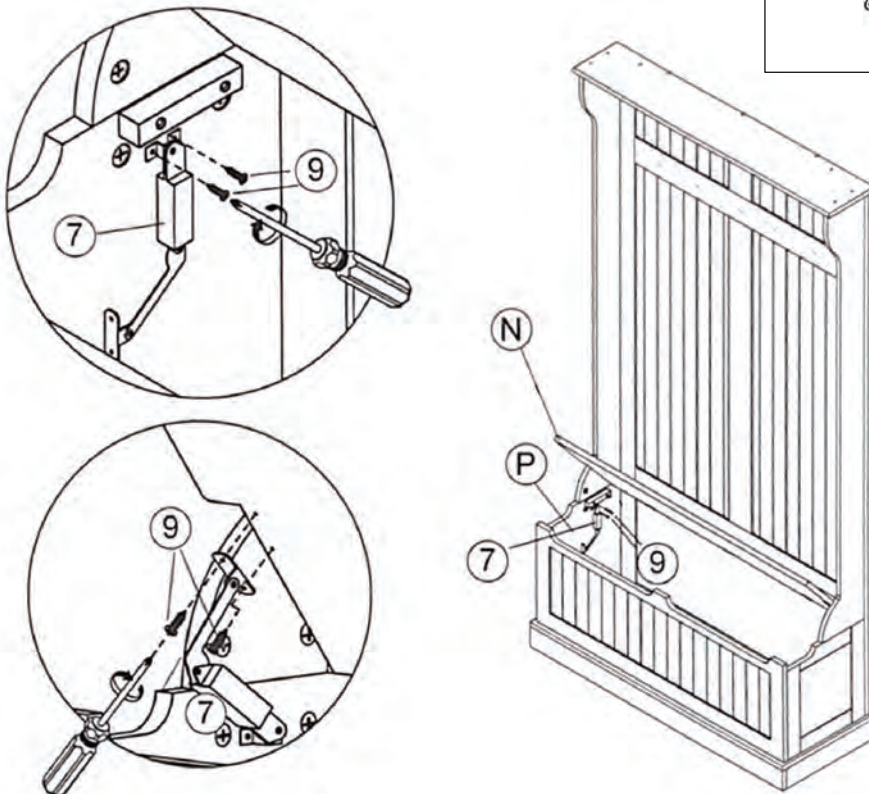
⑰ × 4



## Step 15

⑦ × 1

⑨ × 4



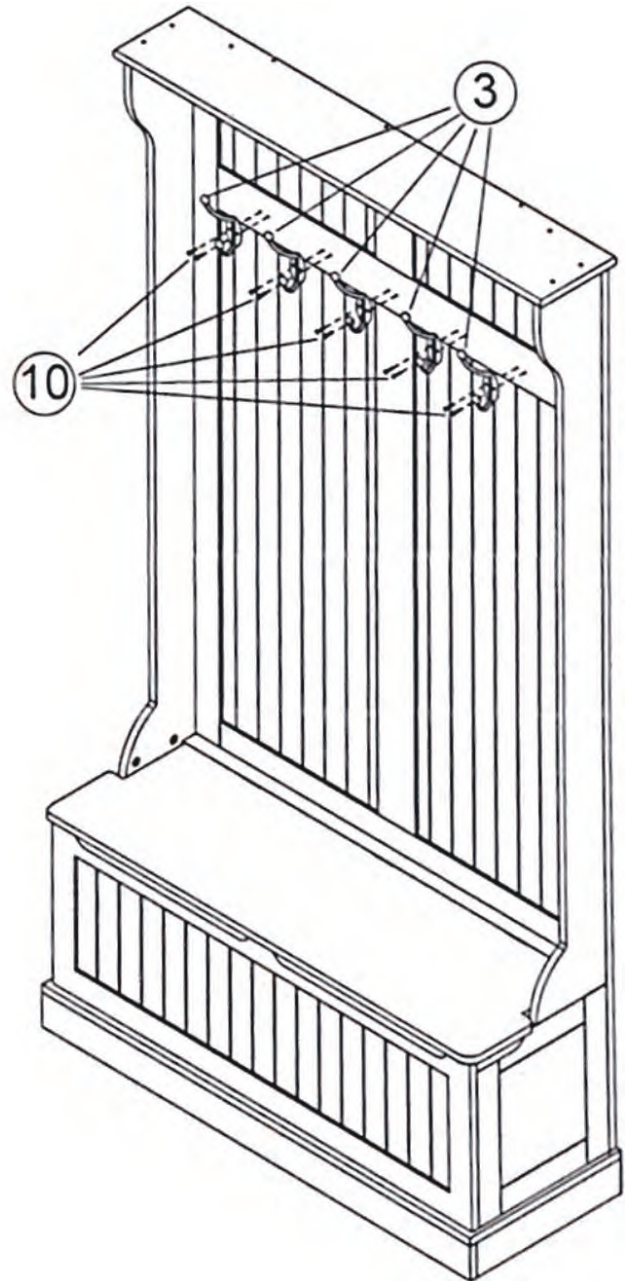
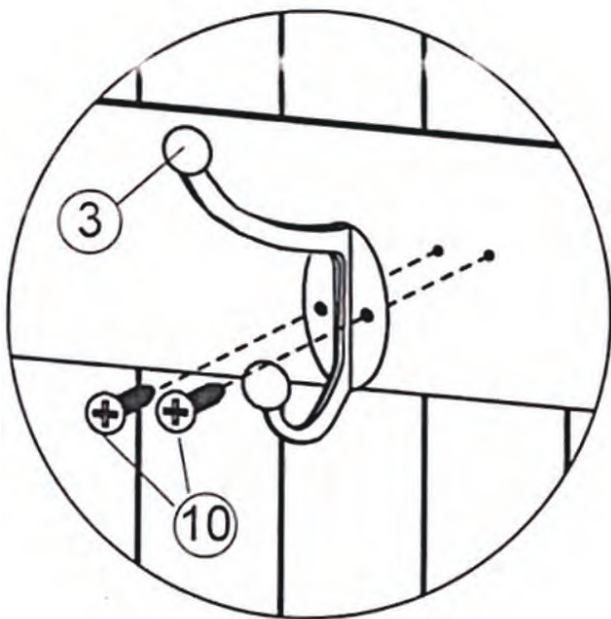
# Step 16

③ x5

⑩ x10



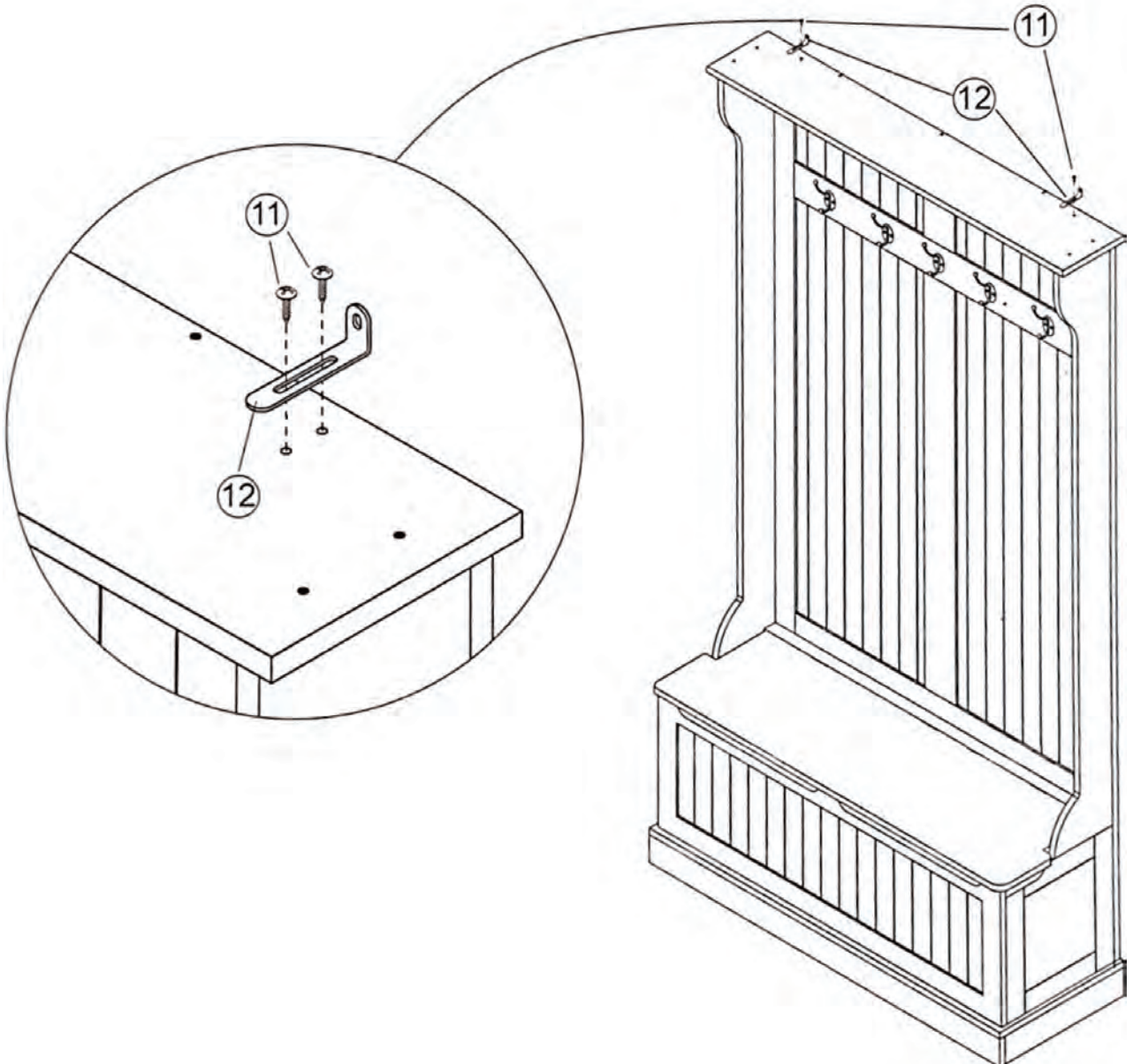
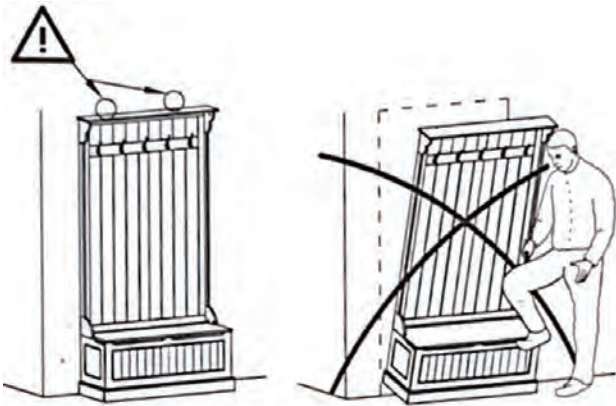
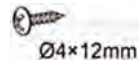
Ø3x12mm



# Step 17

⑪ x4

⑫ x2



# Step 18

⑭ x2

⑮ x2



Ø4x30mm

