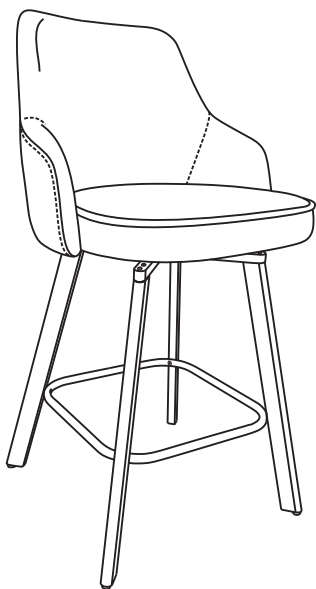
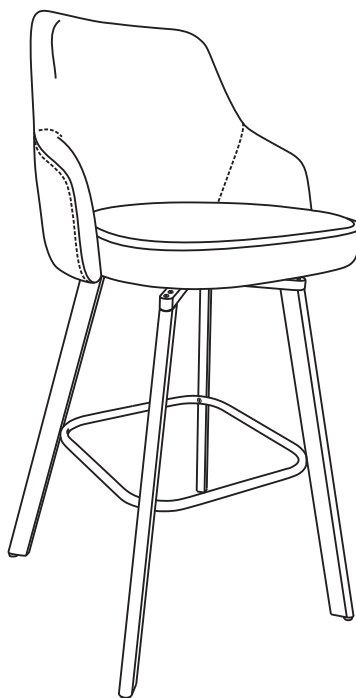


# FIRAVOE<sup>®</sup>



*26" BARSTOOL*



*30" BARSTOOL*

## Assembly Manual Bar Chair

## Guide of Manual

- Instruction should be read carefully. It is very important to ensure each step followed in correct order and avoid any unnecessary troubles.
- Please check to make sure all parts are included as stated in the user manual when you unpack the product.
- The manual may not cover every detail of all possible situations and assembly steps. Please contact us if further information and help are needed.

## WARNING

- It's unnecessary to use any electric drill. Please use it in low gear if you need.
- It's kindly advised to assemble this product on a carpeted floor to protect it from being scratched.
- Please pay attention to the sharp corners during assembly. We recommend the use of gloves to prevent the undesired injury.
- Prior to use, please check to see if there's any loosening screw or part. Make sure that each screw and part is correctly installed and securely fastened.
- Small parts are included. Please keep the product away from children while assembling. Do not let children play or jump on the product. Do not stand on the item or use as a step.
- The product can expose you to chemicals including wood dust, which is known to the state of California to cause cancer. For more information, visit [www.P65Warnings.ca.gov/wood](http://www.P65Warnings.ca.gov/wood).

## Disposal



Dispose of the product according to local regulations. If in doubt, consult your local authorities.

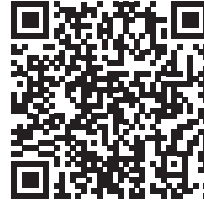
## Care and Maintenance

- Using solvents of any kind on your furniture may damage the finish.
- Use a soft, clean cloth that will not scratch the surface when dusting.
- Never use water to clean your furniture as it may cause damage to the finish.
- There's no need to use furniture polish. If you need, test it first in an inconspicuous area.
- Liquid spills should be removed immediately. Gently blot the spill with a soft clean cloth to avoid rubbing.

## Feedback and help

We would love to hear your feedback. To ensure we are providing the best customer experience possible please consider writing a customer review.

Scan QR Code below with your phone camera or QR reader:



US:



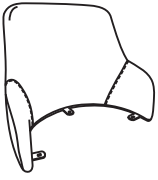
US: [amazon.com/gp/help/customer/contact-us](https://amazon.com/gp/help/customer/contact-us)

Email: [heugah@ivychairs.com](mailto:heugah@ivychairs.com)



+1 434-274-1006 (US Phone Number)  
Monday-Friday GMT-7 6: 00 p.m.-12:00 a.m.

# Components and Tools



(1) x1



(2) x1



(3) x1



(4) x1



(5) x4



M6 x 30 mm

A x 4 + 1



M6 x 30 mm

B x 8 + 1



M6 x 20 mm

C x 3 + 1



M6 x 14 mm

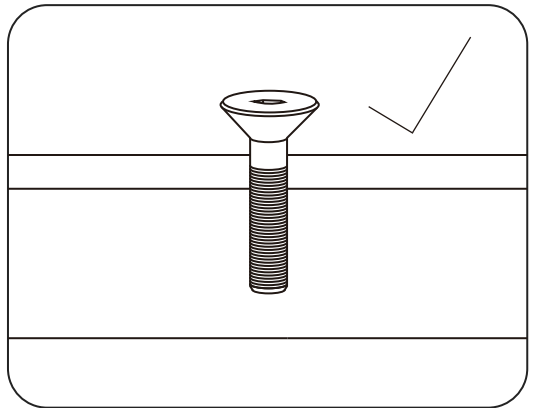
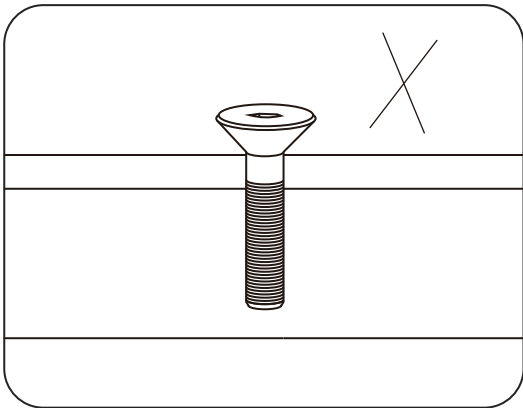
D x 4 + 1



M6

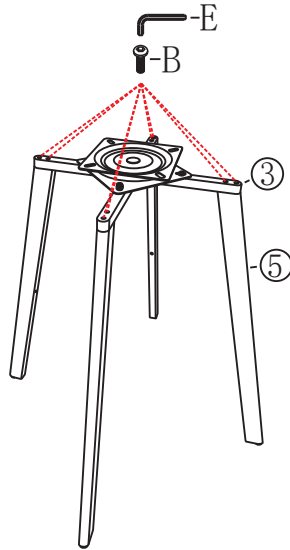
E x 1

## Particular attention



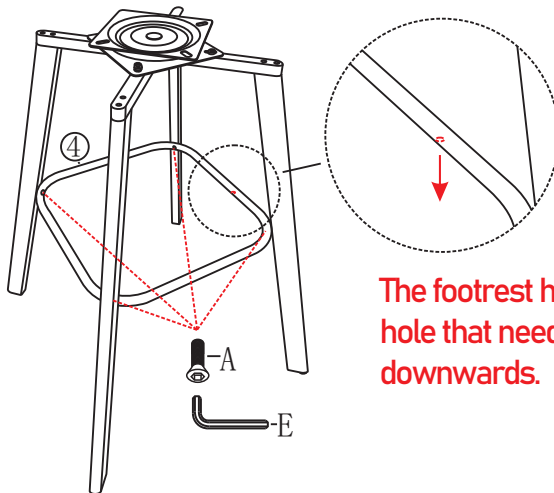
Do not tighten the screws until all the screws have been installed in their corresponding locations

## STEP ONE



Ensure all the holes of part 3 align with part 5, pre-assemble all screws, and tighten.

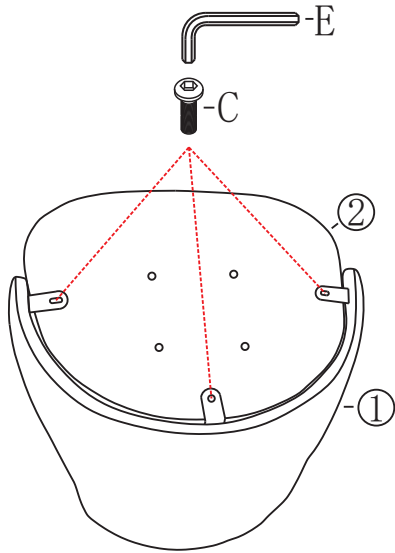
## STEP TWO



**The footrest has a small hole that needs to be facing downwards.**

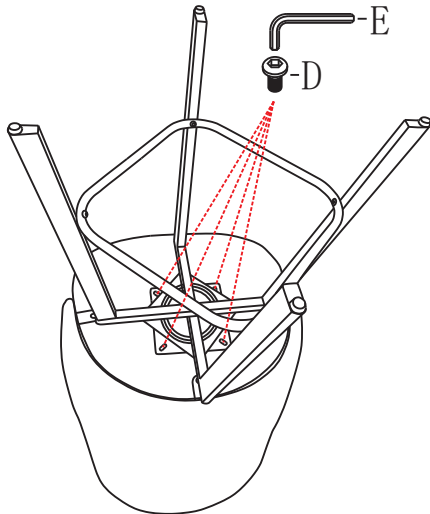
Part 4 has a small hole that needs to be facing downwards, All holes of part 4 align with part 5, pre-assemble all screws, and tighten.

STEP THREE



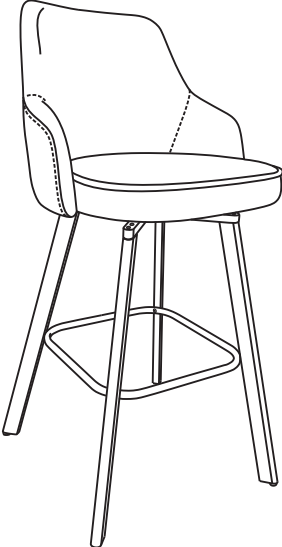
Align the 3 holes of part 1 with part 2, pre-assemble all screws, and tighten.

STEP FOUR



Align the 4 holes of the assembled parts 3,4, and 5 with the assembled parts 1 and 2, pre-assemble all screws, and tighten.

STEP FIVE



Assembly completed.