

80152-511 ASSEMBLY INSTRUCTION

Thank you for purchasing this quality product. Be sure to check all packing material carefully for small parts which may have come loose inside the carton during shipment. Separate, identify and count all parts and hardware. Compare with the parts list to be sure all parts are present.

IMPORTANT : PLEASE READ INSTRUCTION BEFORE STARTING THE ASSEMBLY.

"DO NOT TIGHTEN SCREWS UNTIL COMPLETELY ASSEMBLED"

"DO NOT OVERTIGHT ANY HARDWARE"

WARNING : SMALL PARTS AND HARDWARE NOT FOR CHILDREN UNDER 3 YEARS. ADULT ASSEMBLY REQUIRED.

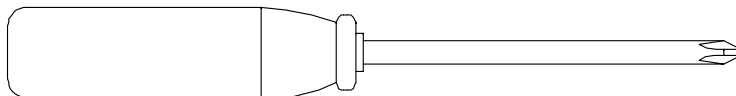
****WARNING :** This product got power cable at the backside of (1). please make sure it will not be damage during every steps.

TABLE OF CONTENTS

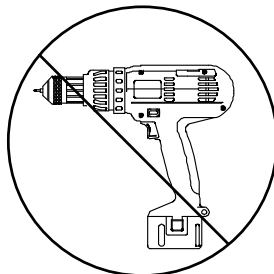
HARDWARES LIST	PAGE 2
PARTS LIST	PAGE 3
PARTS' LOCATION	PAGE 4
DESCRIPTION	PAGE 5
ASSEMBLY STEPS	PAGE 6 - 9
ASSEMBLY COMPLETED	PAGE 9

ASSEMBLY TOOLS REQUIRED

1. Screwdriver (not provide)

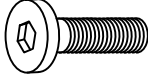
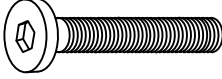
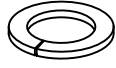






Skip the power drill this time.



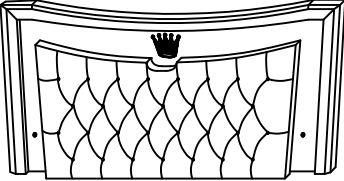
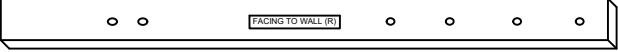
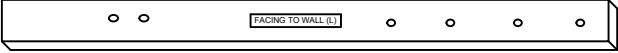
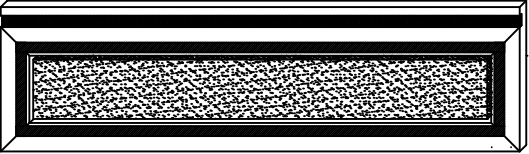
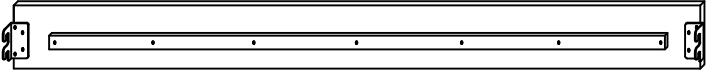
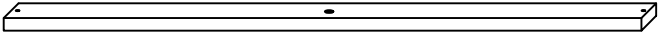
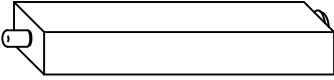
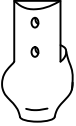
80152-511 ASSEMBLY INSTRUCTION

HARDWARES LIST

ITEM	DESCRIPTION	DRAWING	QTY
A	JCBB SCREW M8 x 16MM		8 PCS
B	JCBB SCREW M8 x 40MM		12 PCS
C	SPRING WASHER M8 x 14MM		8 PCS
D	SPRING WASHER M8 x 22MM		8 PCS
E	CSK C/B SCREW (M4 x 32MM)		8 PCS
F	M5 ALLEN KEY (65MM)		1 PC
G	PLUG WITH CONNECTOR WIRE		1 PC

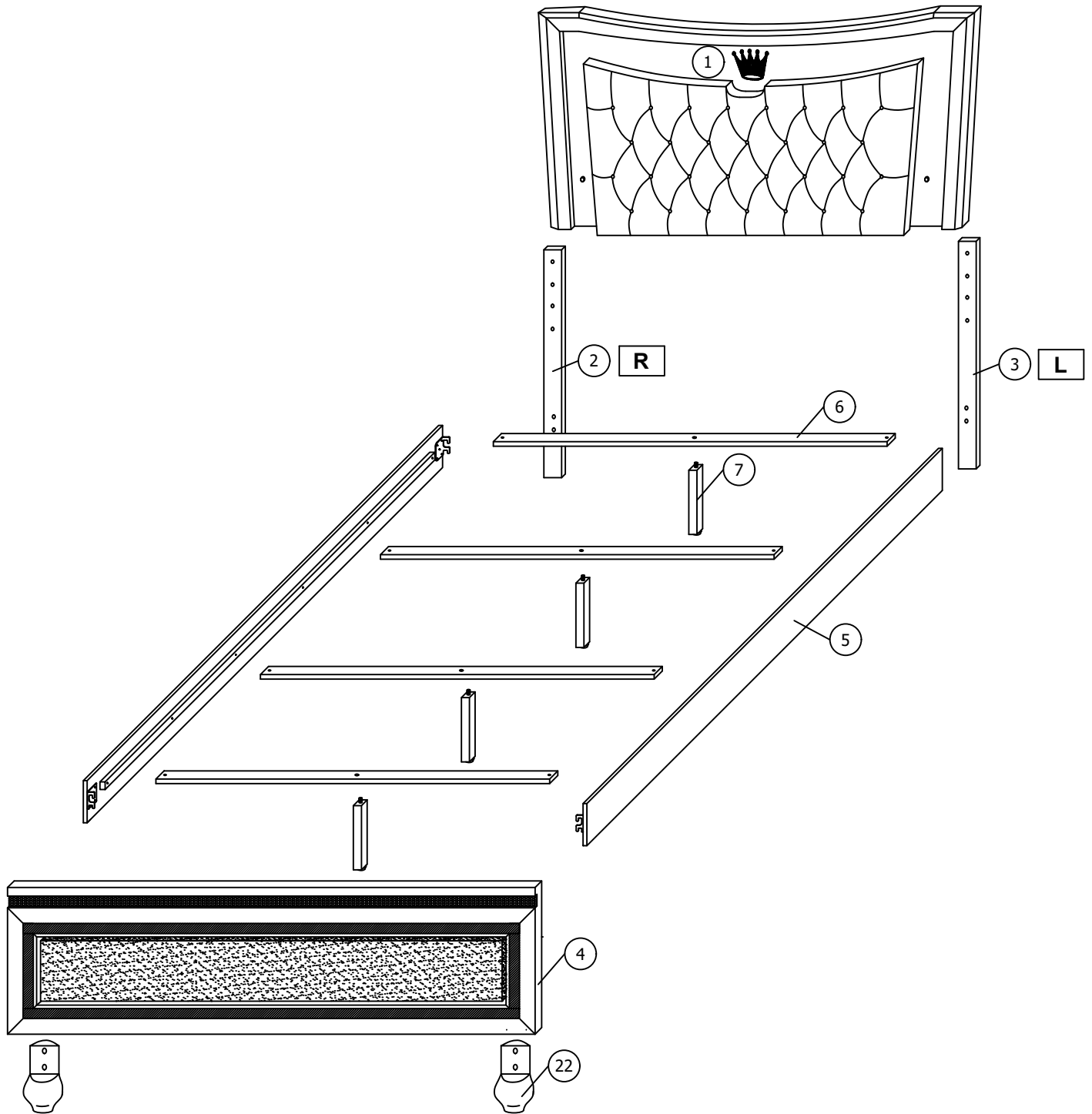
80152-511 ASSEMBLY INSTRUCTION

PARTS LIST

ITEM	DESCRIPTION	DRAWING	QTY
1	HEADBOARD		1 PC
2	HEADBOARD SUPPORT LEG - WITH "FACING TO WALL (R)" STICKER		1 PC
3	HEADBOARD SUPPORT LEG - WITH "FACING TO WALL (L)" STICKER		1 PC
4	FOOTBOARD		1 PC
5	SIDE RAIL (i)		2 PCS
6	SLAT		4 PCS
7	SUPPORT LEG (WITH PLASTIC COVER)		4 PCS
22	FOOTBOARD LEG		2 PCS

80152-511 ASSEMBLY INSTRUCTION

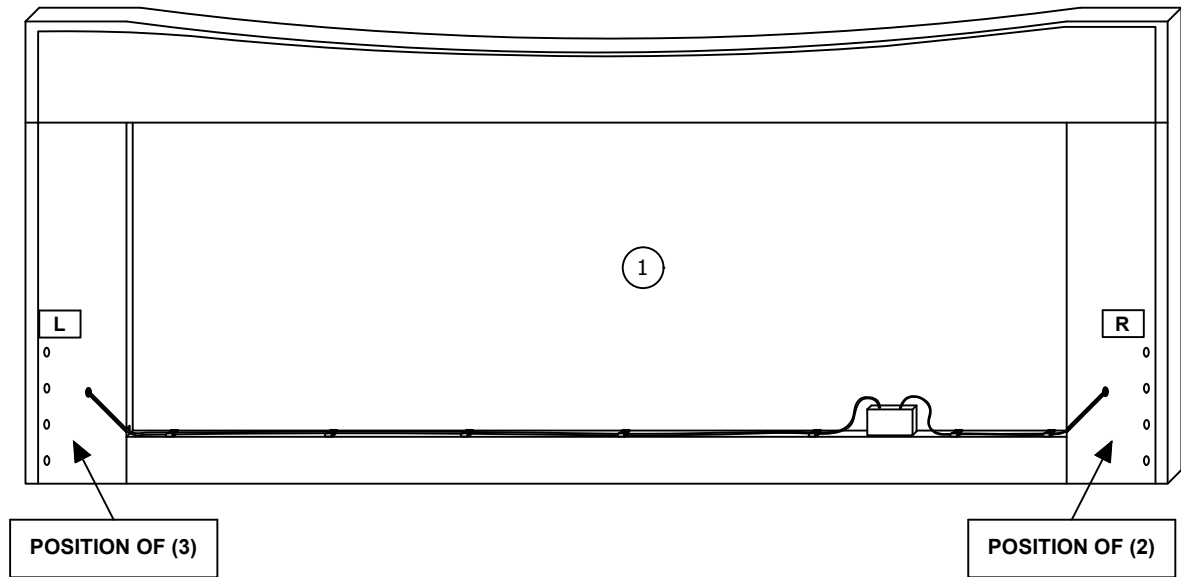
PARTS ' LOCATION



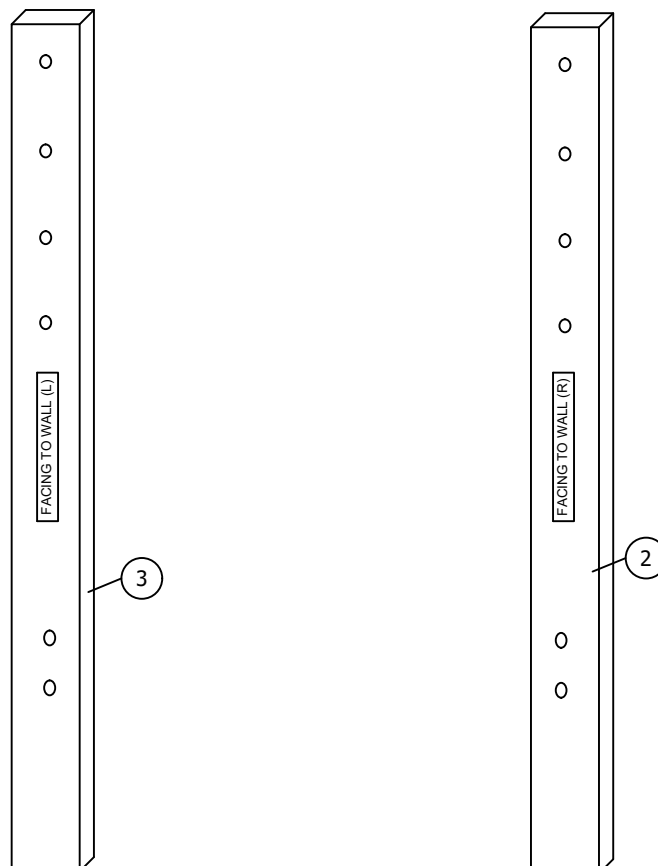
80152-511 ASSEMBLY INSTRUCTION

DESCRIPTION

There are two stickers pre-sticked on backside of (1) which separately marked with L and R .



One side of (2),(3) label the sticker facing to outside during assembly.

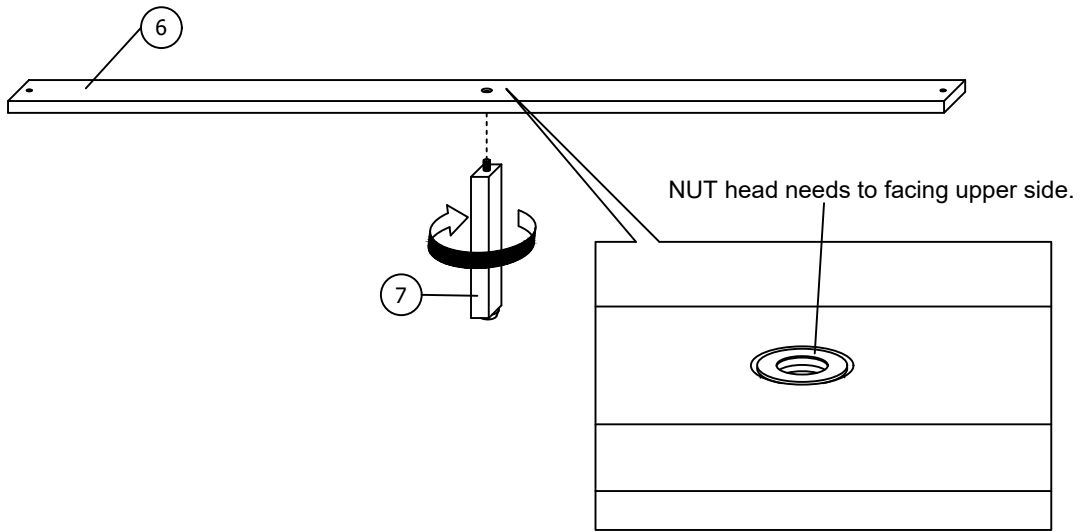


80152-511 ASSEMBLY INSTRUCTION

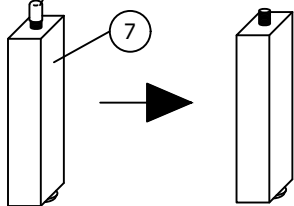
ASSEMBLY STEPS

STEP 1

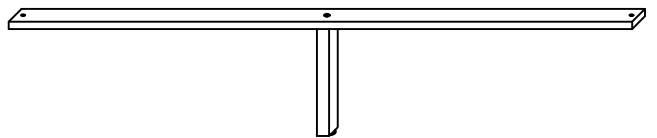
x 4



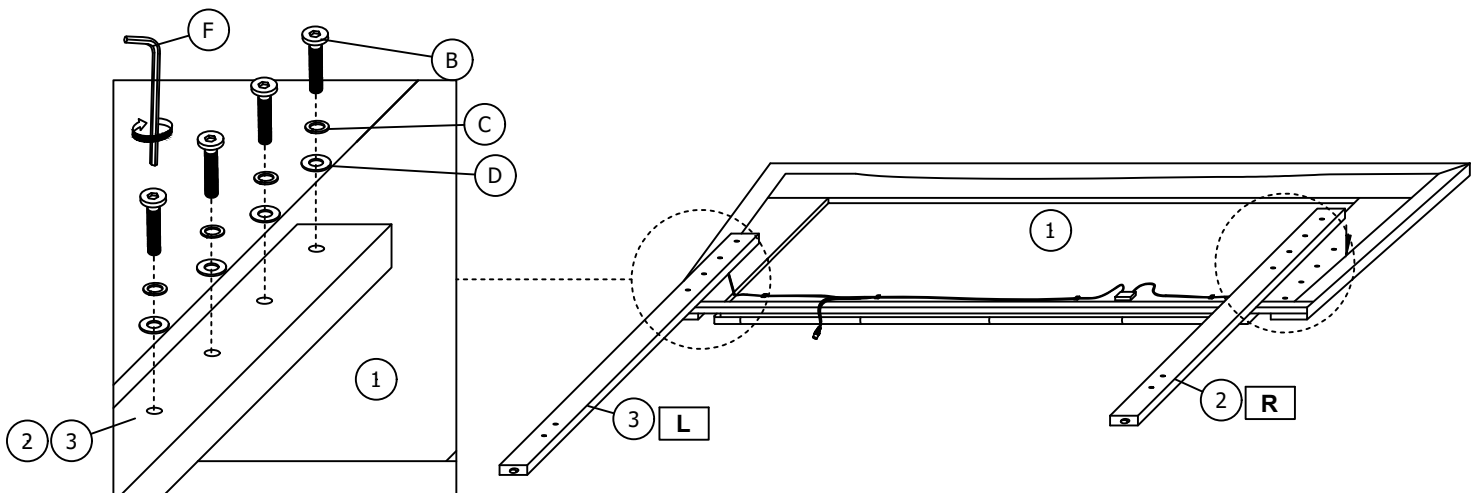
Take off this plastic cover before assembly



Assembled looks

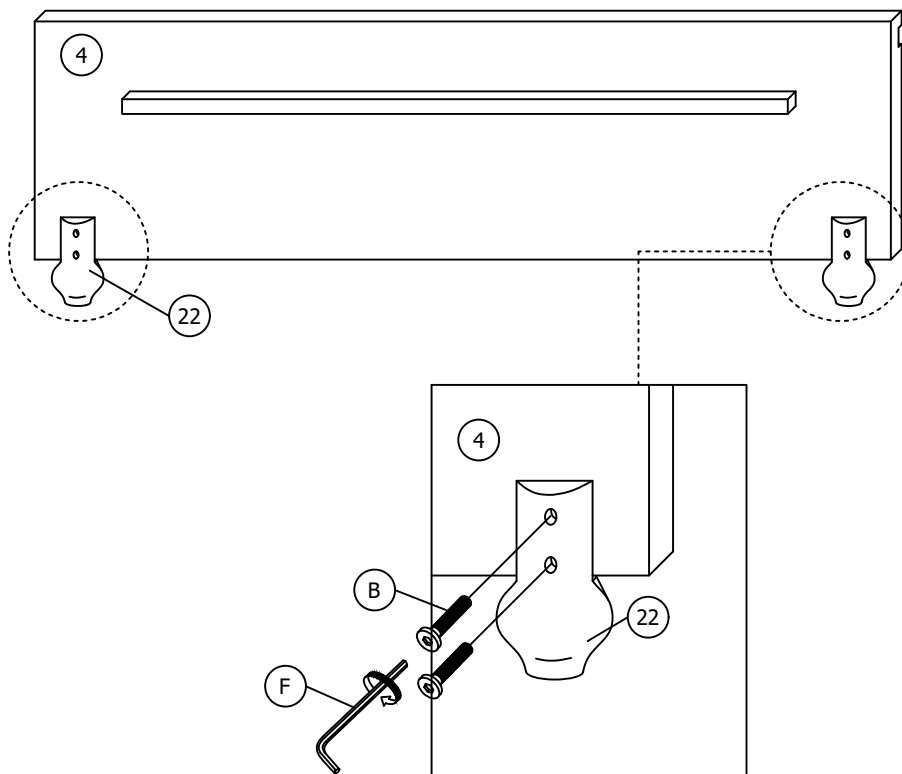


STEP 2

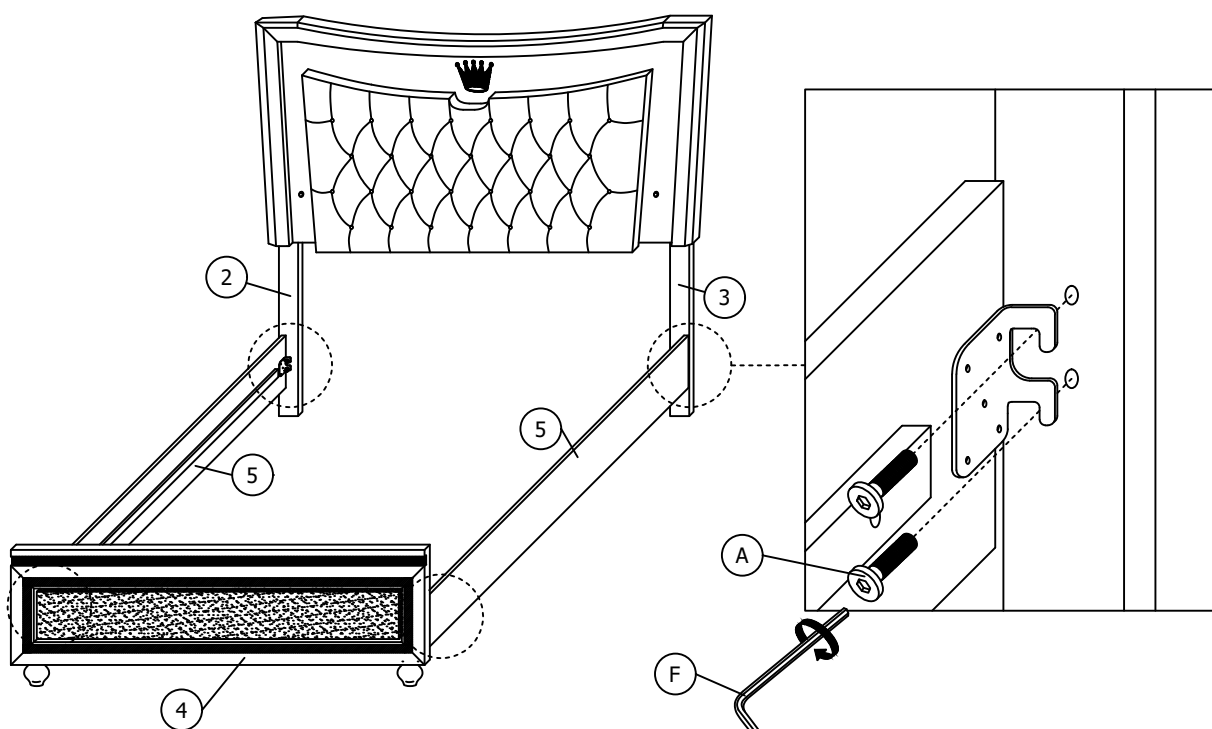


80152-511 ASSEMBLY INSTRUCTION

STEP 3

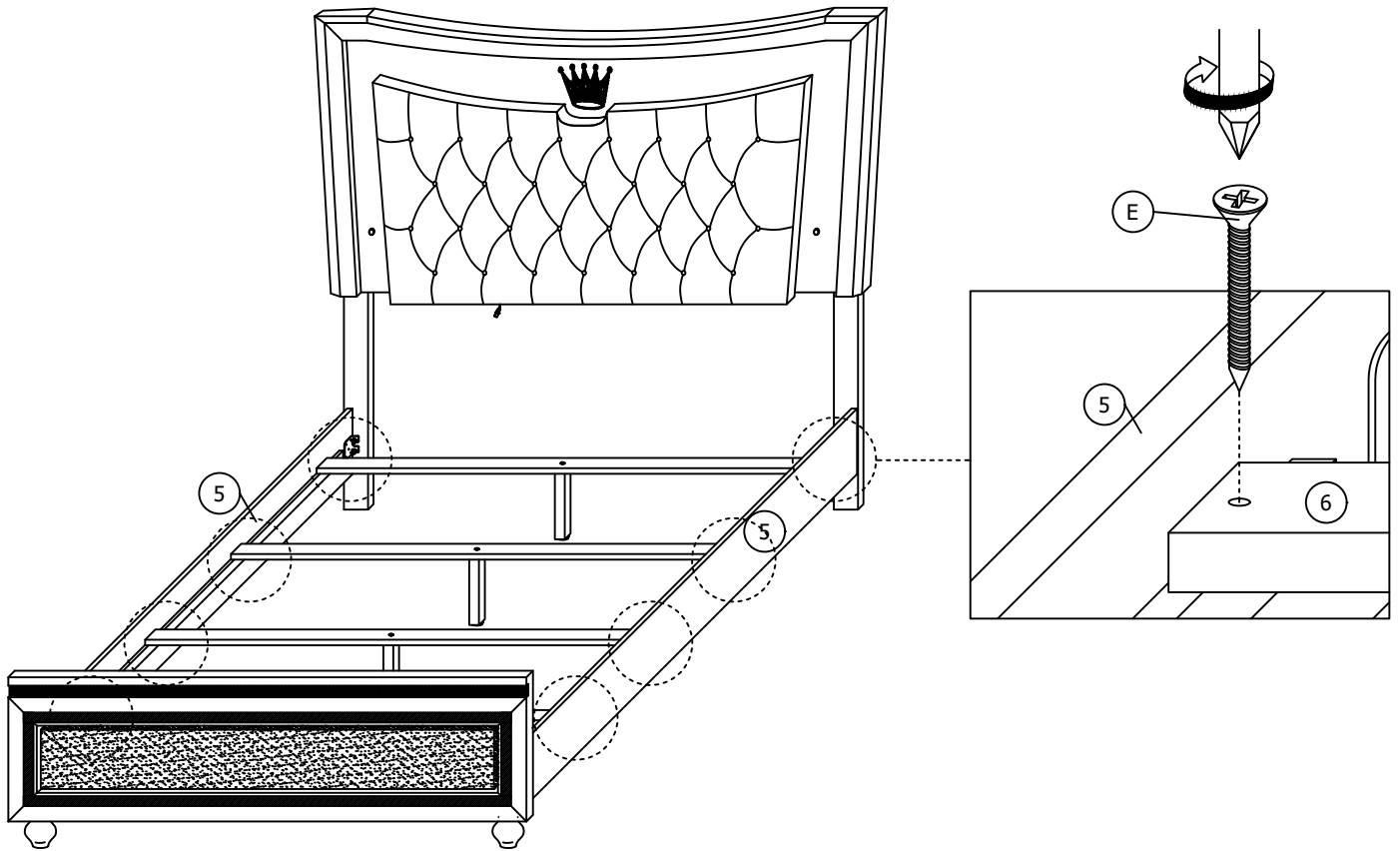


STEP 4

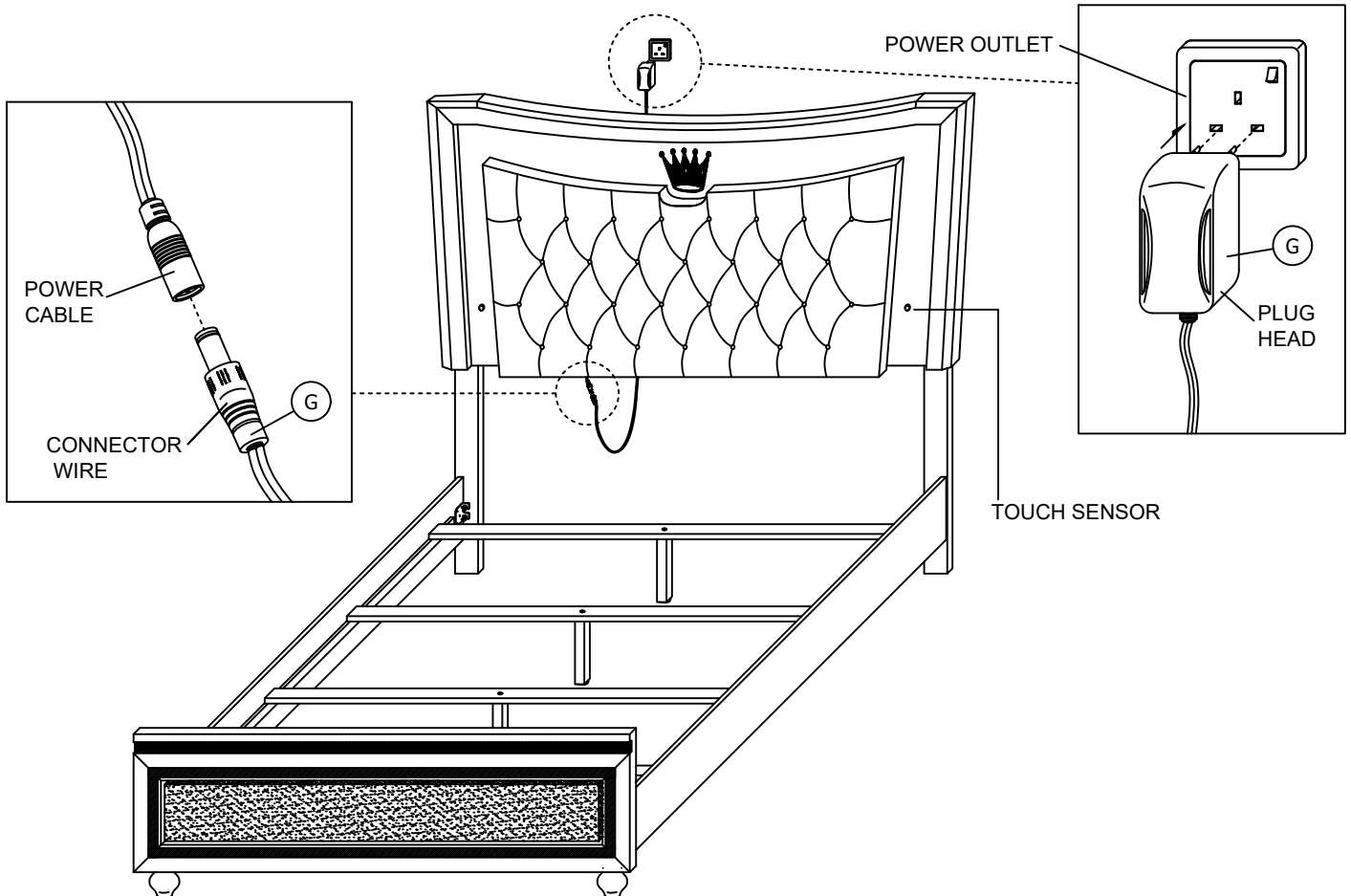


80152-511 ASSEMBLY INSTRUCTION

STEP 5

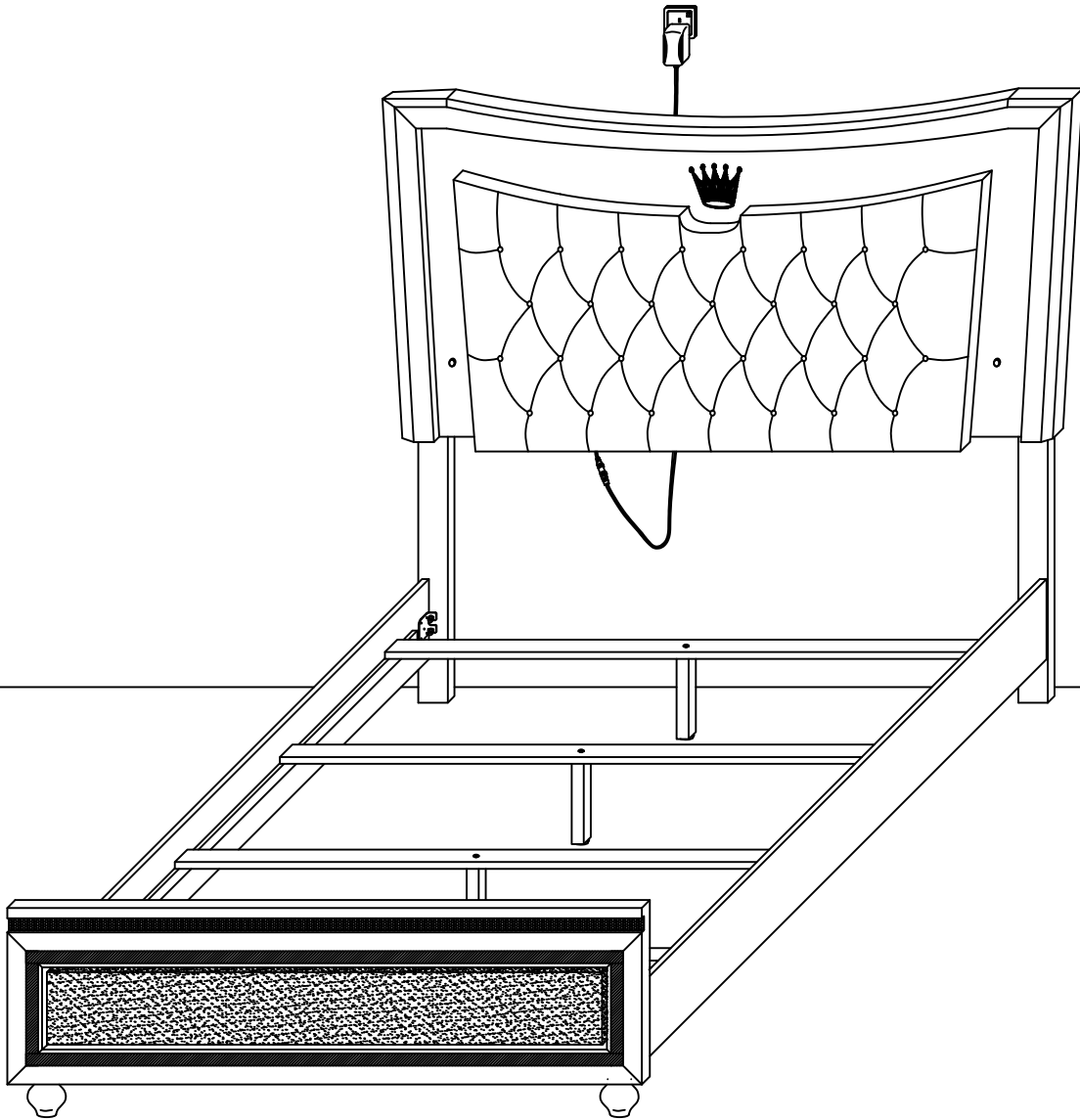


STEP 6



80152-511 ASSEMBLY INSTRUCTION

STEP 7



ASSEMBLY COMPLETED

** FOR ALL MODEL AND ALL SIZE BED

