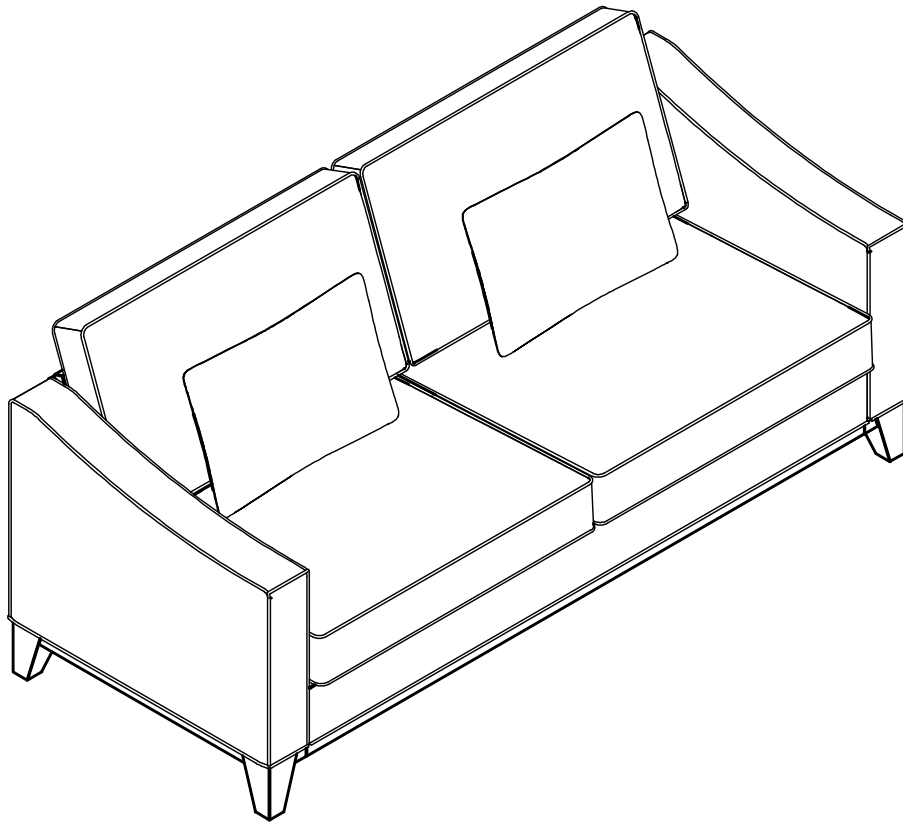
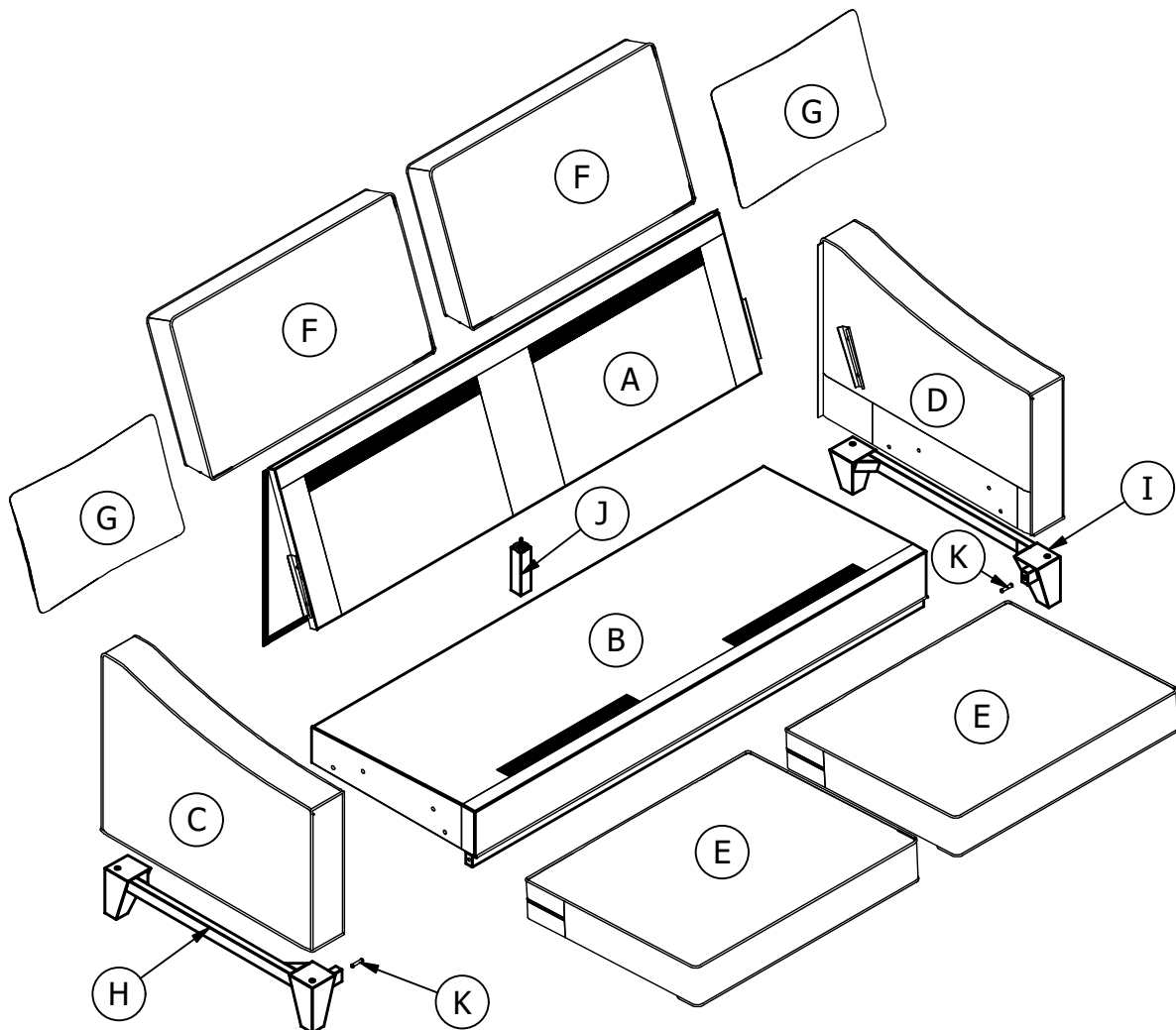


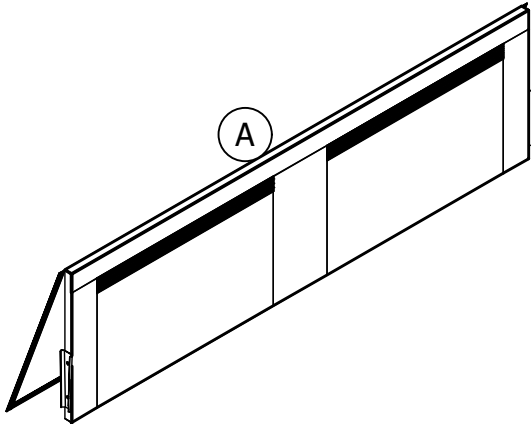
# Assembly Instruction



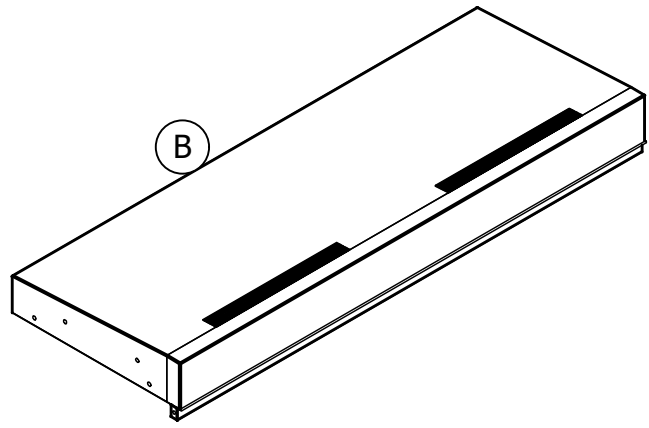
## PARTS



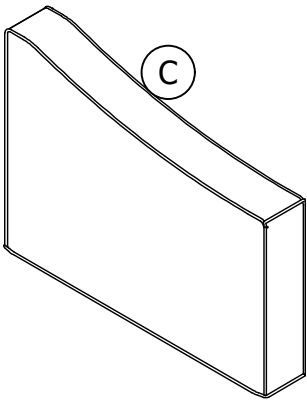
# PARTS LIST



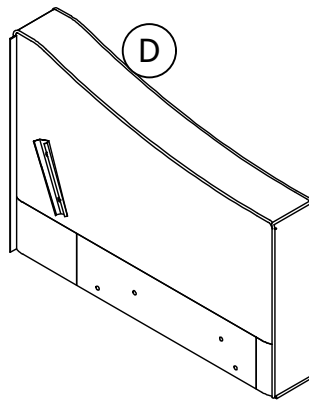
Back  
1 PC



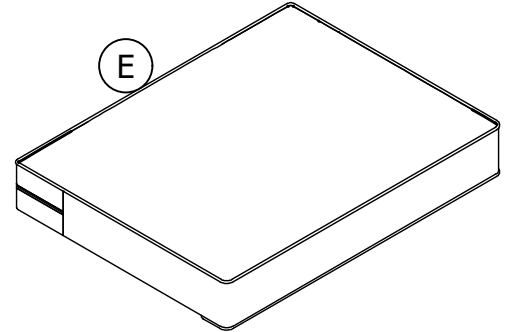
Seat Panel  
1 PC



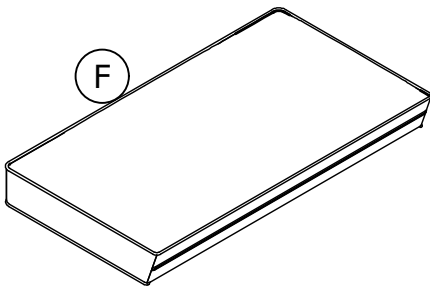
Left Armrest  
1 PC



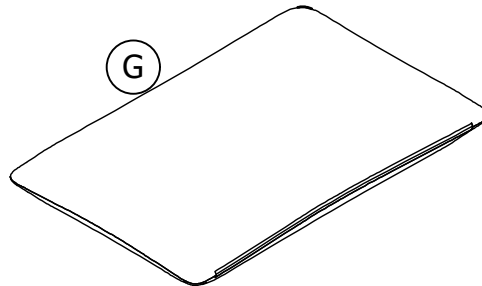
Right Armrest  
1 PC



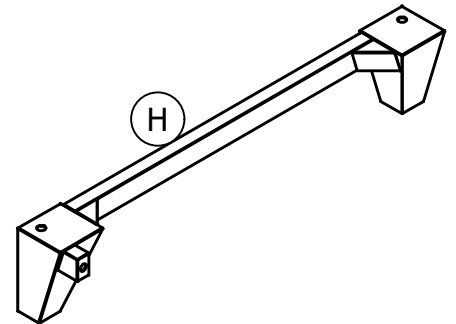
Seat Cushion  
2 PCS



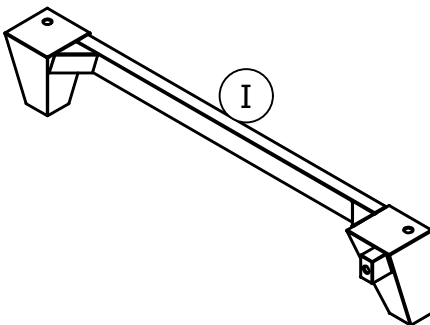
Back Cushion  
2 PCS



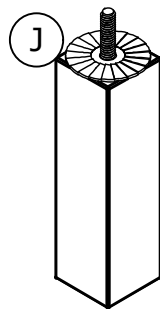
Pillow  
2 PCS



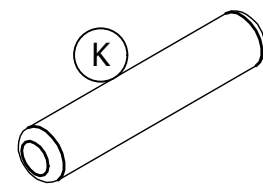
Left Leg  
1 PC



Right Leg  
1 PC

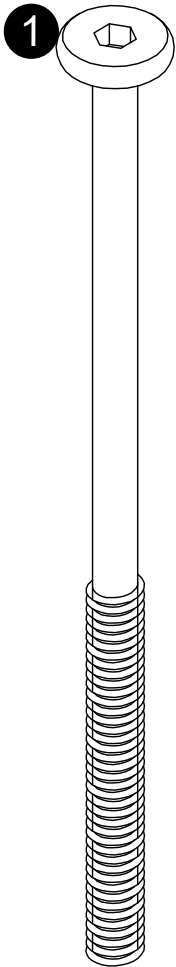


Middle Leg  
1 PC

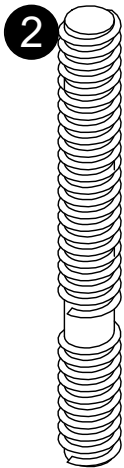


Wooden Tenon  
2 PCS

# HARDWARE



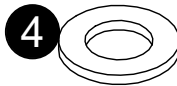
Bolt 5/16" x 145mm  
X 4



Stud  
5/16" x 80mm  
X 8



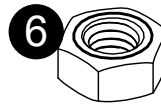
Washer  
M8 x 22mm  
X 8



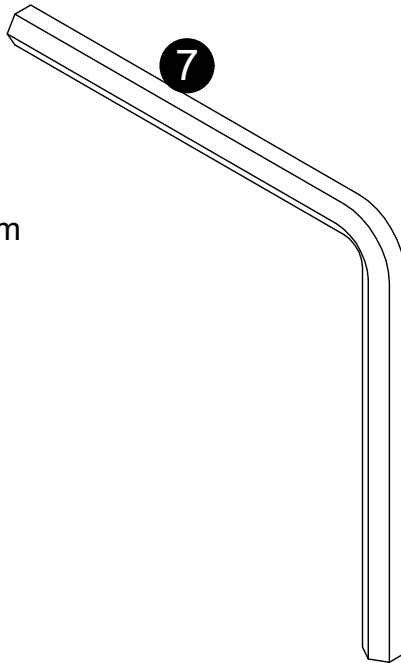
Washer  
M8 x 16mm  
X 4



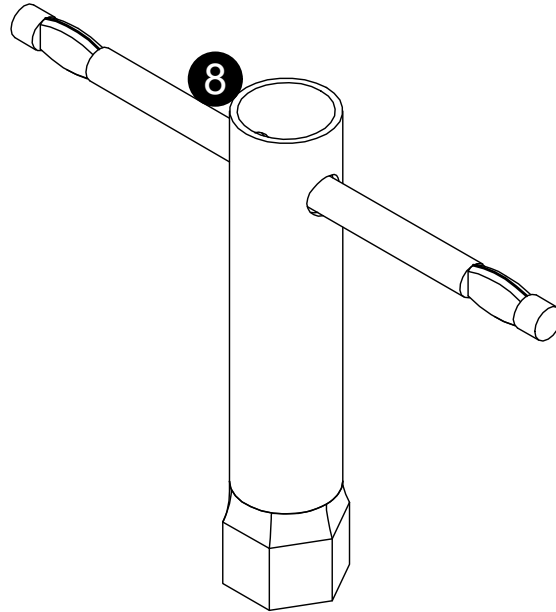
Spring Washer  
X 12



Nut  
X 8



5mm Allen Key  
X 1

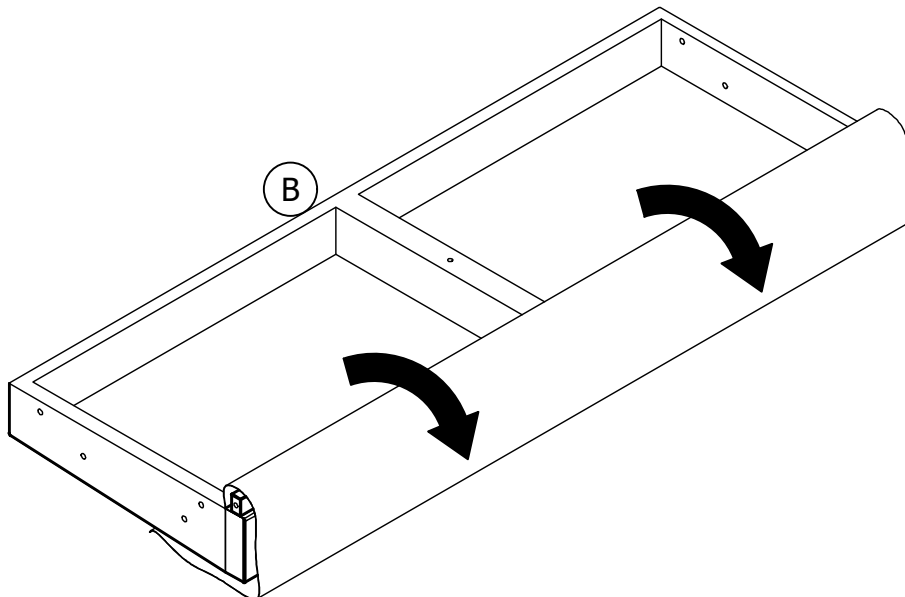


Wrench  
X 1

## STEP 1:

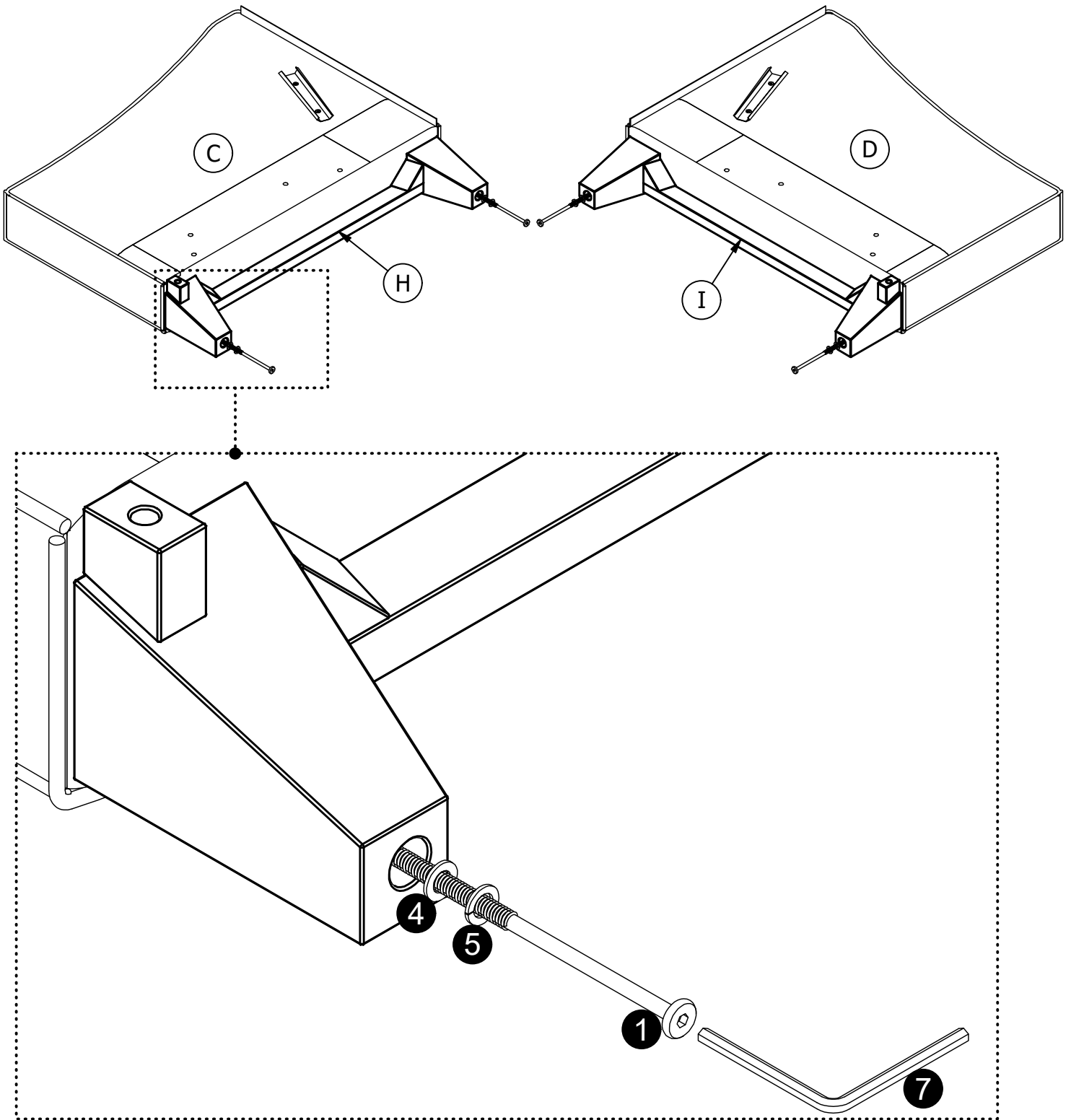
Place all parts on a clean, smooth surface.

Some parts will be found in the compartment under the Seat **B**, as shown.



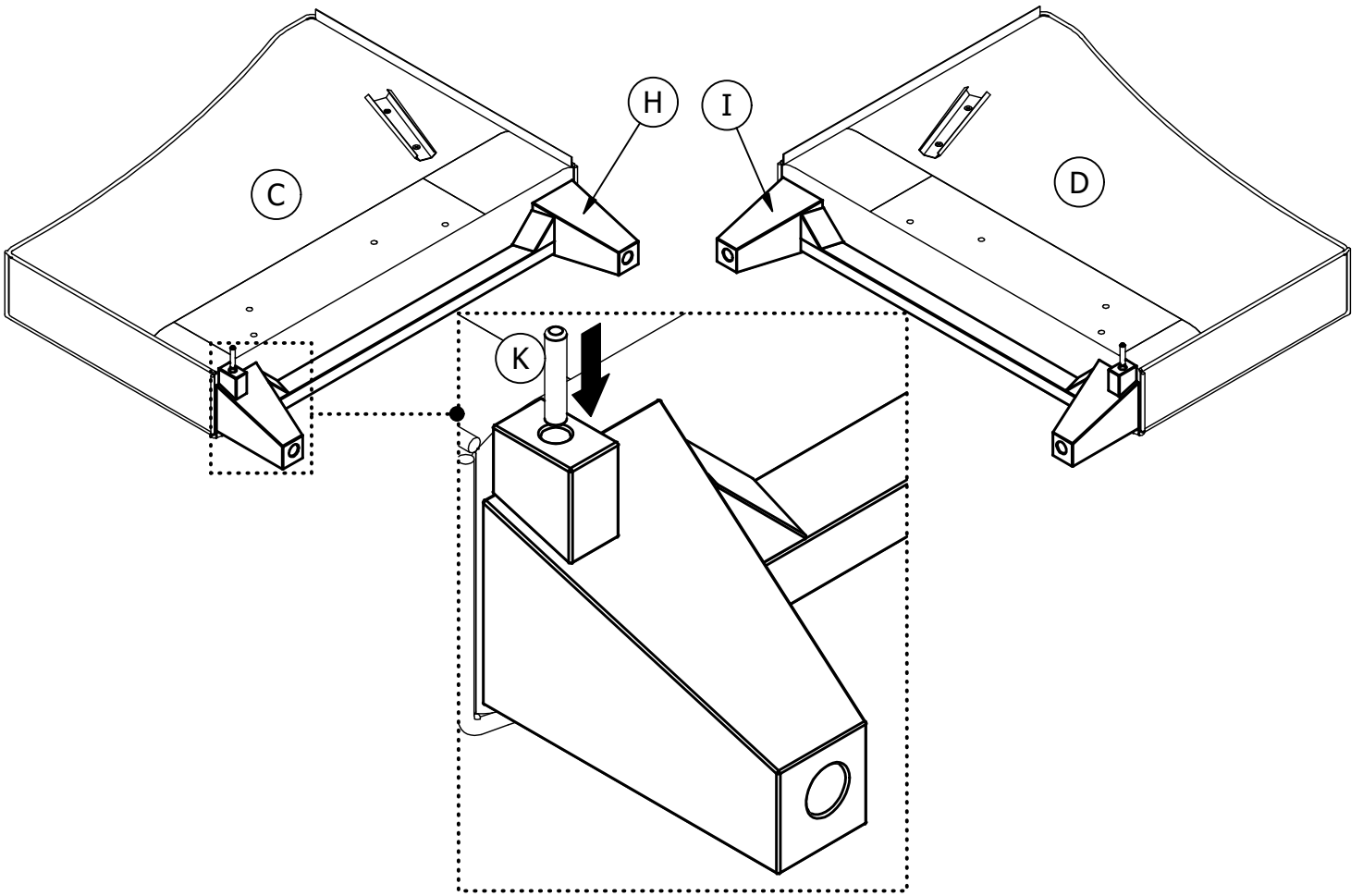
**STEP 2:**

Attach Legs **H** & **I** to Armrests **C** & **D** with Bolts **1**, Flat Washers **4** and Spring Washers **5**, as shown.



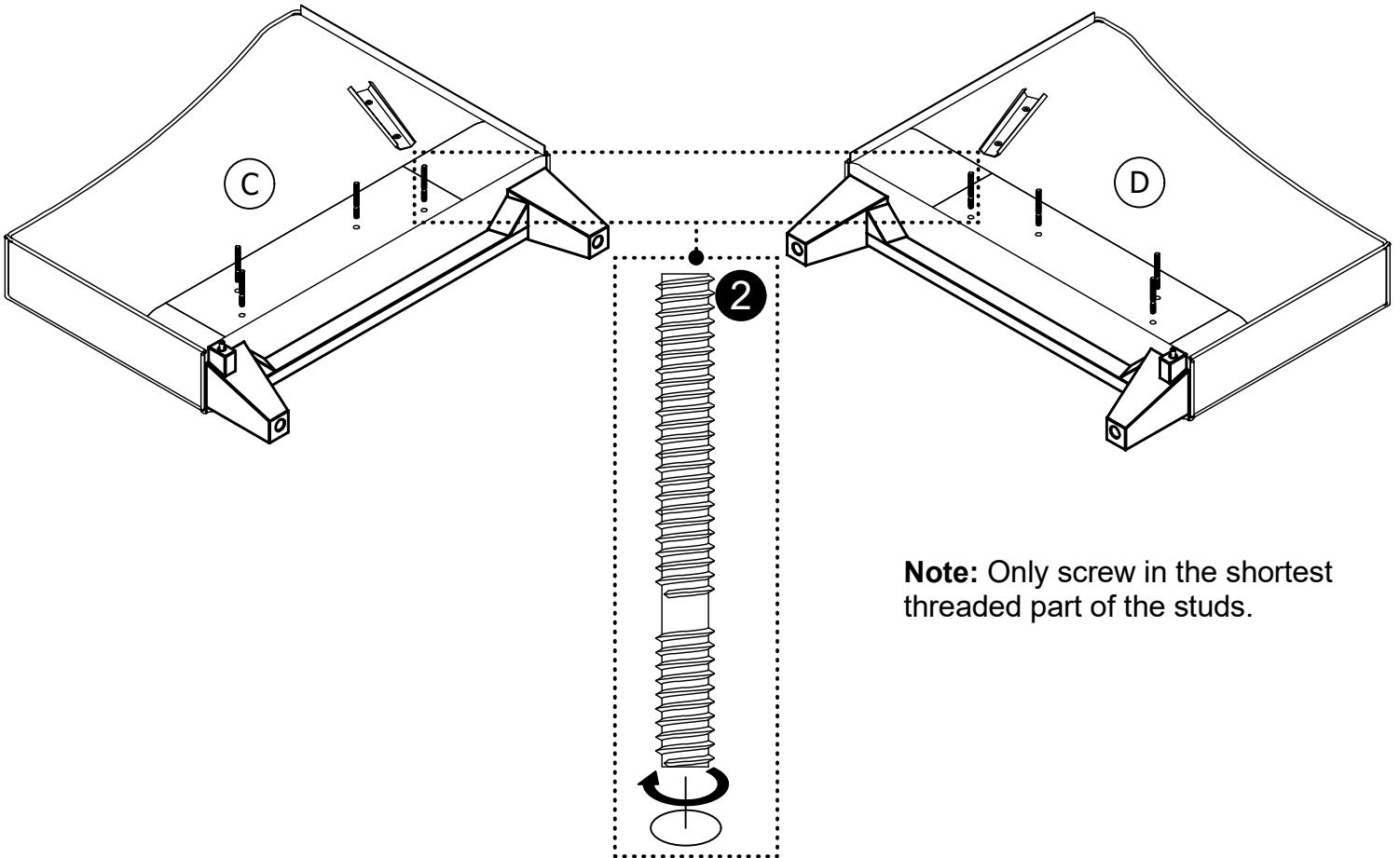
**STEP 4:**

Insert the Wooden Tenon **K** x 2 into the hole of the Legs **H** & **I**, as shown.



**STEP 5:**

Hand tighten Stud **2** to Armrest **C** & **D**, as shown.

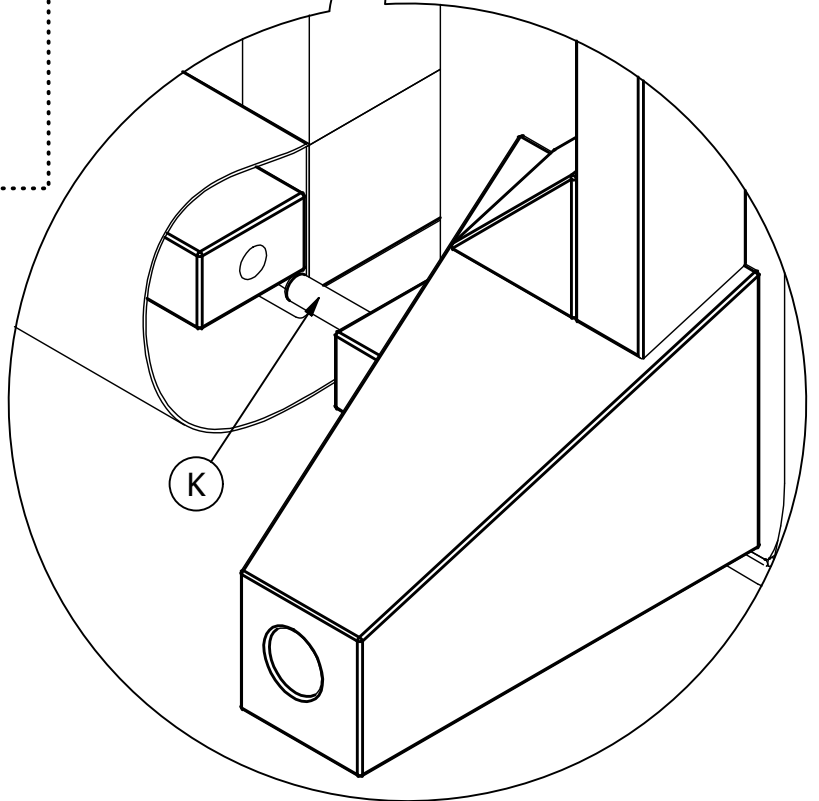
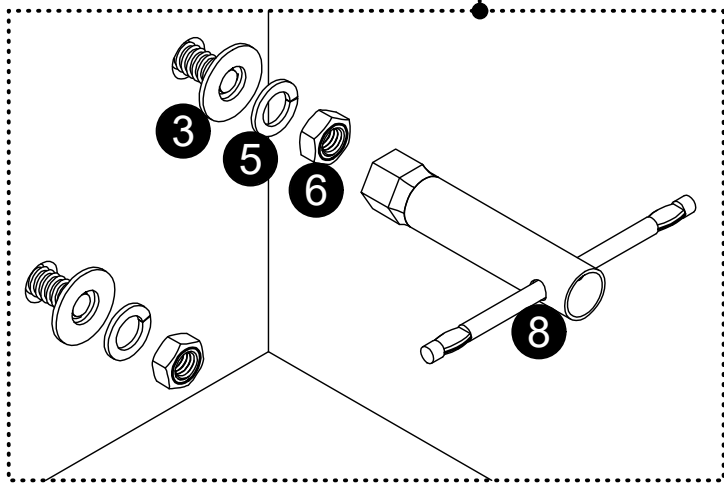
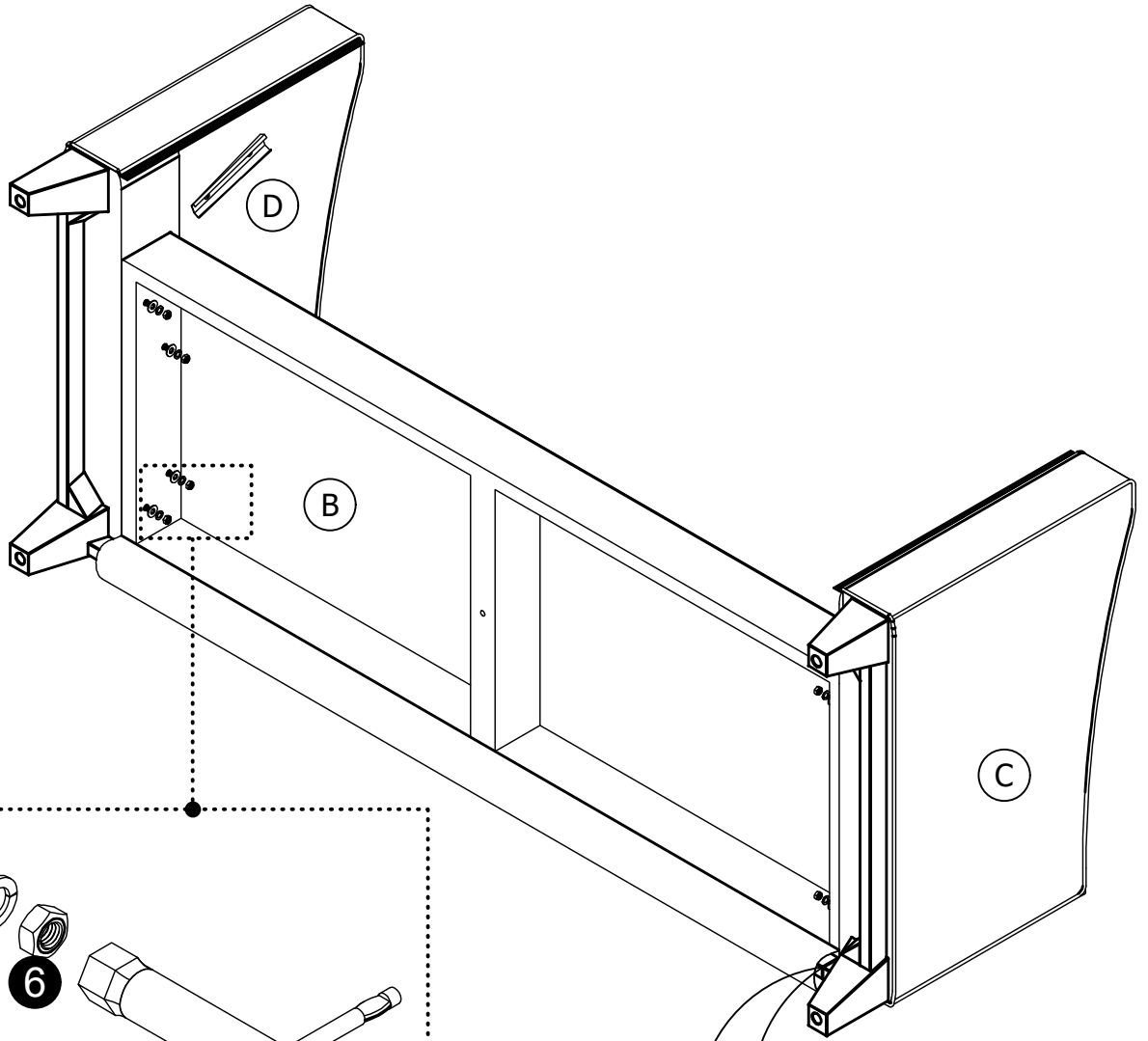


**Note:** Only screw in the shortest threaded part of the studs.

**STEP 6:**

Insert the Wooden Tenon **K** x 2 into the hole of front rail.

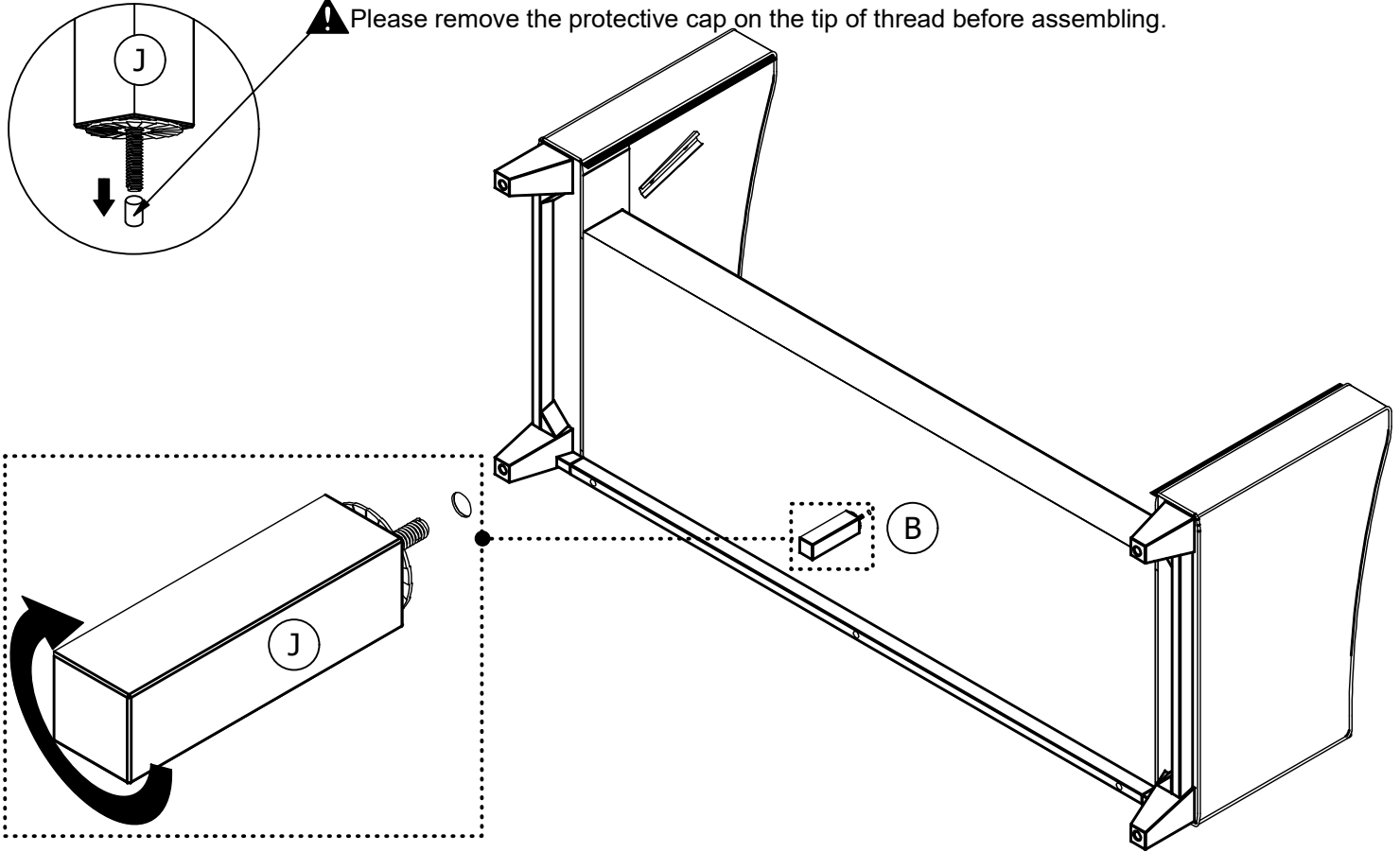
Attach Armrests **C** & **D** to Seat **B** with Flat Washers **3**, Spring Washers **5** and Nut **6**, as shown.



**STEP 7:**

Manually screw Middle Leg J to Seat B, as shown.

**⚠** Please remove the protective cap on the tip of thread before assembling.

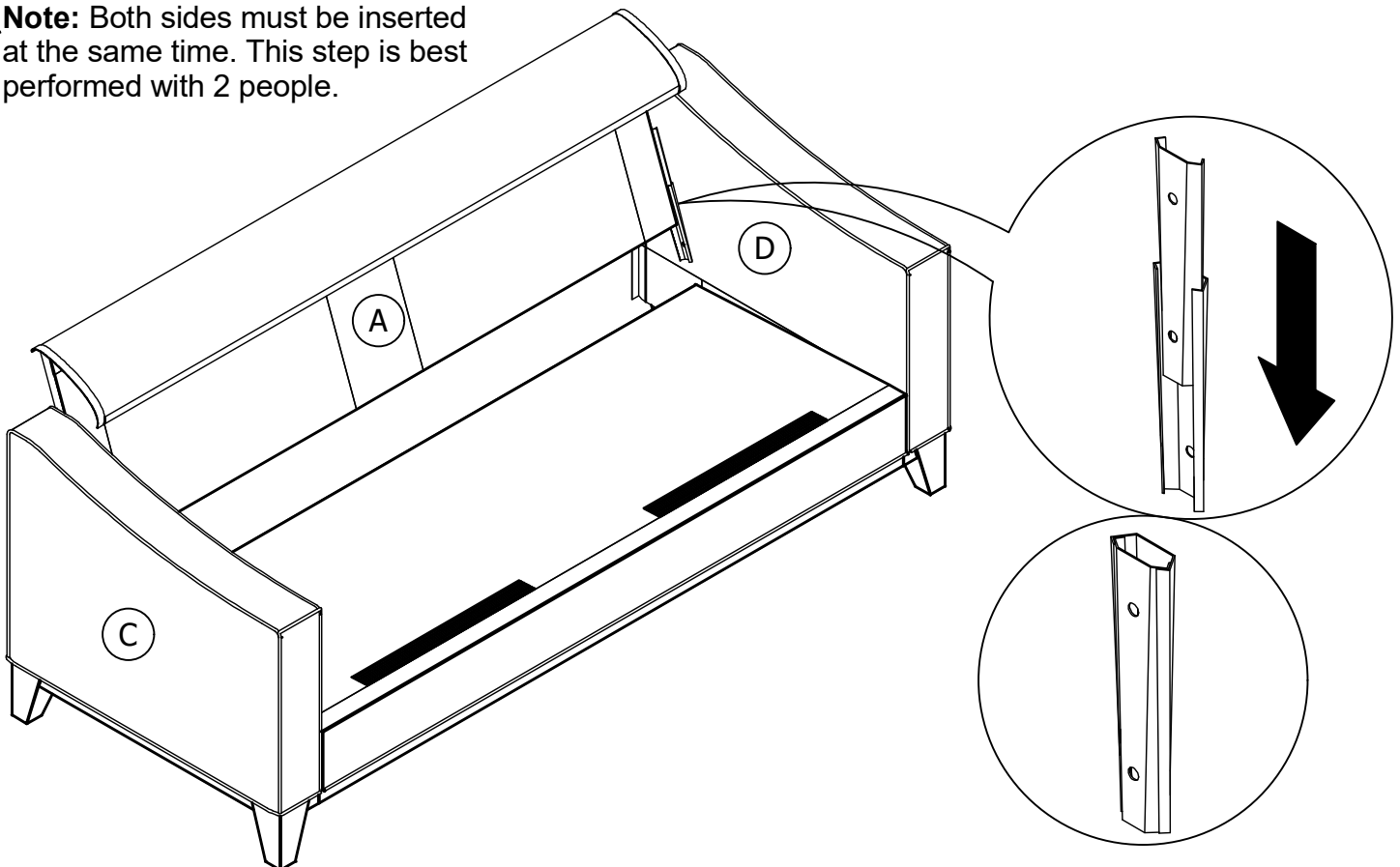


**STEP 8:**

Attach Back A to Armrests C & D by inserting the brackets on Back A into the metal glides on Armrests C & D.

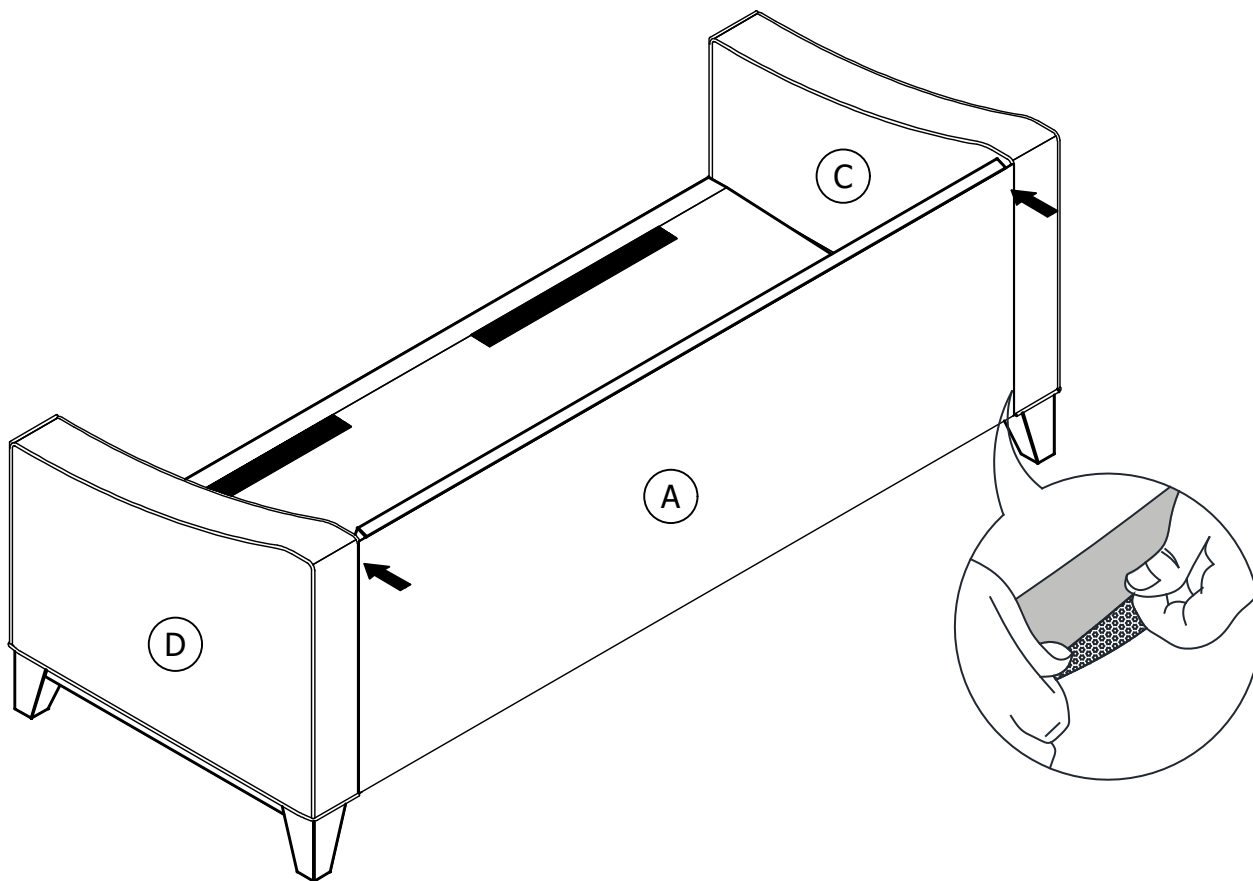
Push Back A with a downward force to secure it into place.

**⚠ Note:** Both sides must be inserted at the same time. This step is best performed with 2 people.



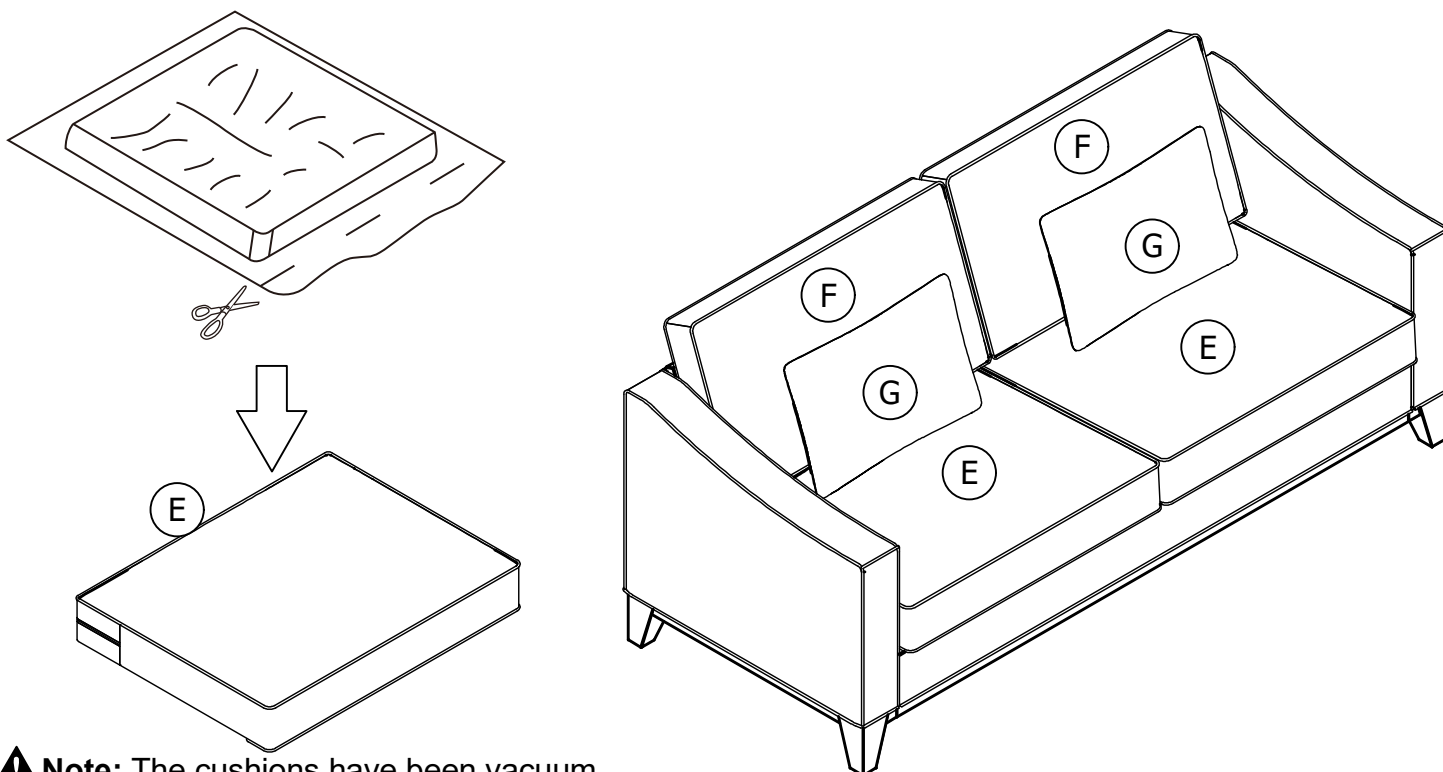
**Step 9:**

Secure the fabric flap on Back **A** to Armrests **C** & **D** using the Velcro strips.



**Step 10:**

Remove Seat Cushion **E** x 2 from their vacuum sealed package.  
Place Seat Cushion **E** x 2, Back Cushion **F** x 2 and Pillow **G** x 2 onto the sofa.



**⚠ Note:** The cushions have been vacuum packed for transportation purposes. After unpacking, please allow up to 72 hours so that it can return to its original shape.

# Helpful Hints

- Move your new furniture carefully, with two people lifting and carrying the unit to its new location.
- Your furniture can be disassembled and reassembled to move.
- Clean the product with a soft damp cloth. DO NOT use harsh chemicals or abrasive cleaners.
- For further information please contact at [sales4@jsanyee.com](mailto:sales4@jsanyee.com)

