




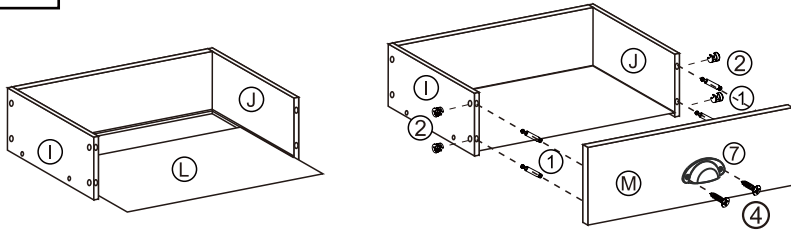
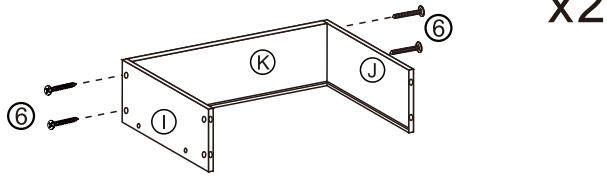





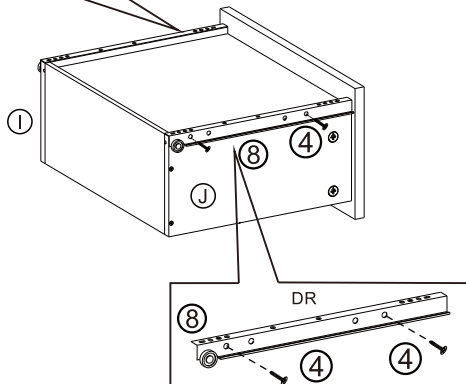
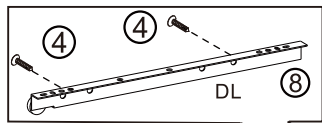
1

①		x8
②		x8
④		x4
⑥		x8
⑦		x2






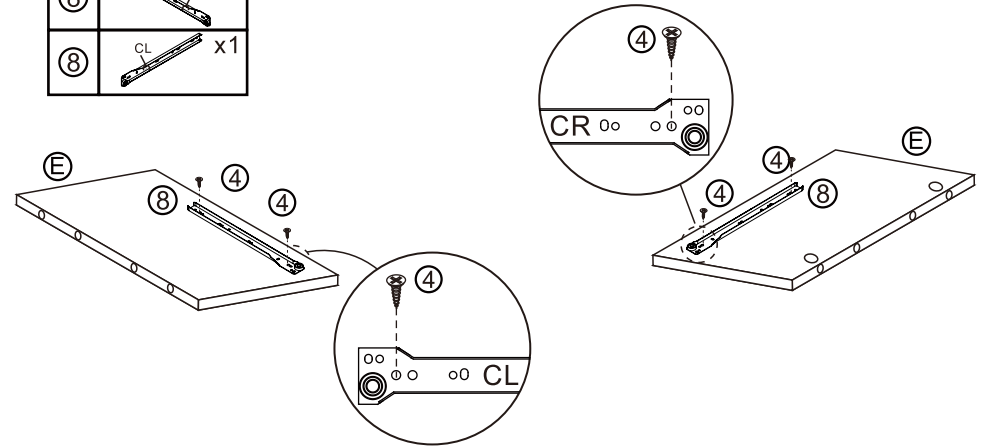
2

④		x8
⑧		x2
⑧		x2


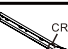
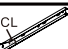


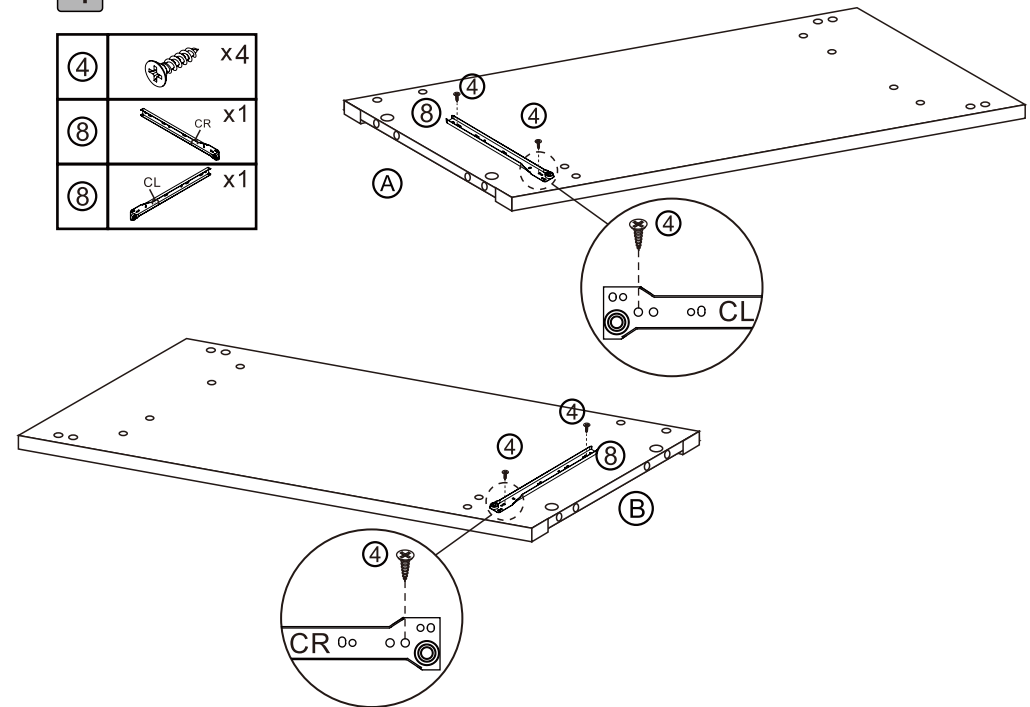
3

④		x4
⑧		x1
⑧		x1




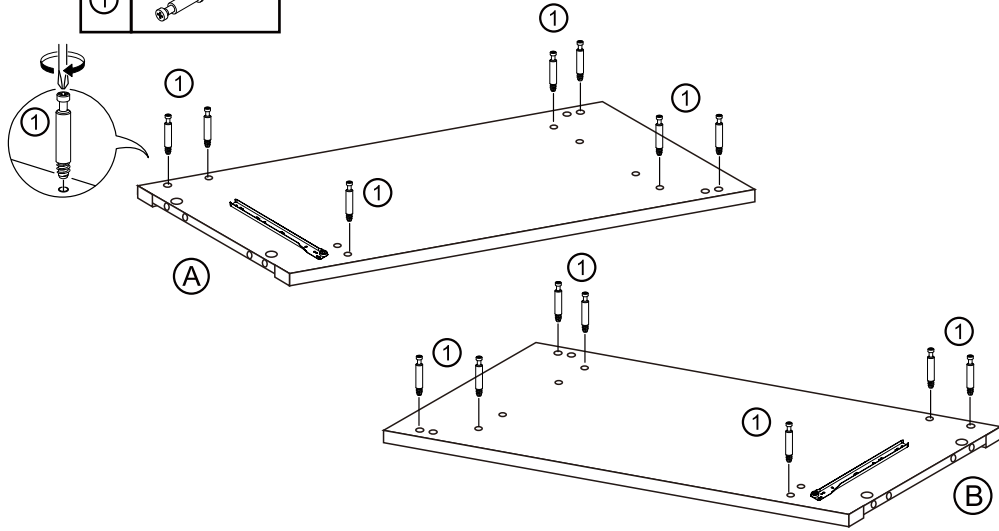
4

④		x4
⑧		x1
⑧		x1





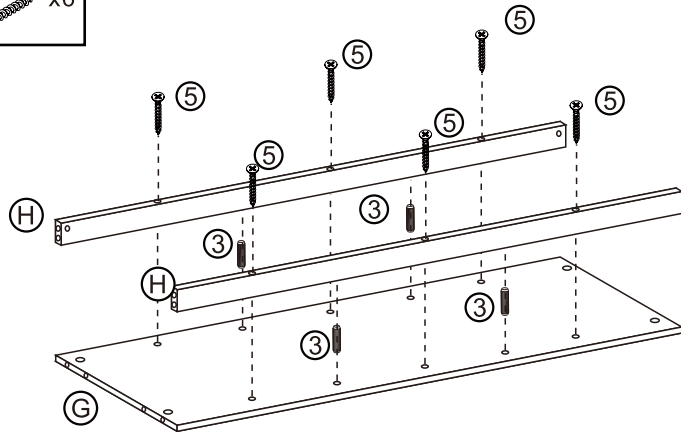
5

①	 x14
---	---





6

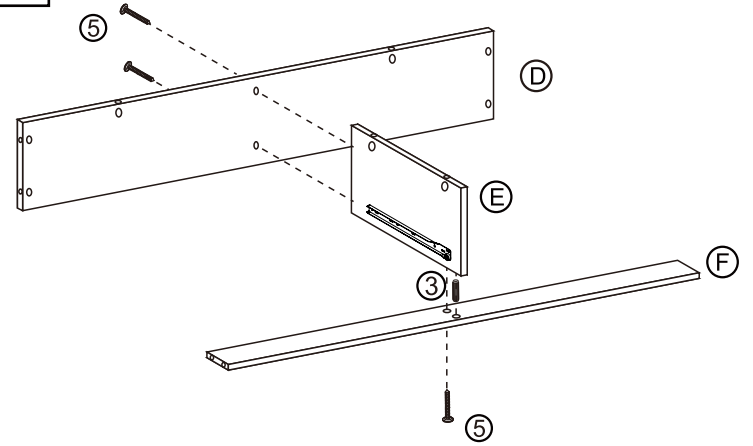
③	 x4
⑤	 x6





5/8

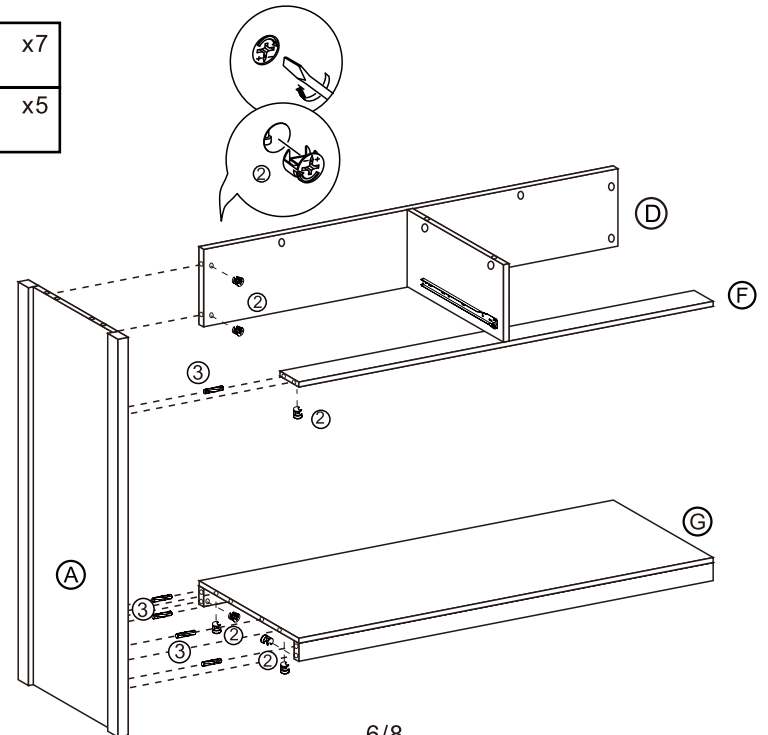
7

⑤	 x3
③	 x1





8

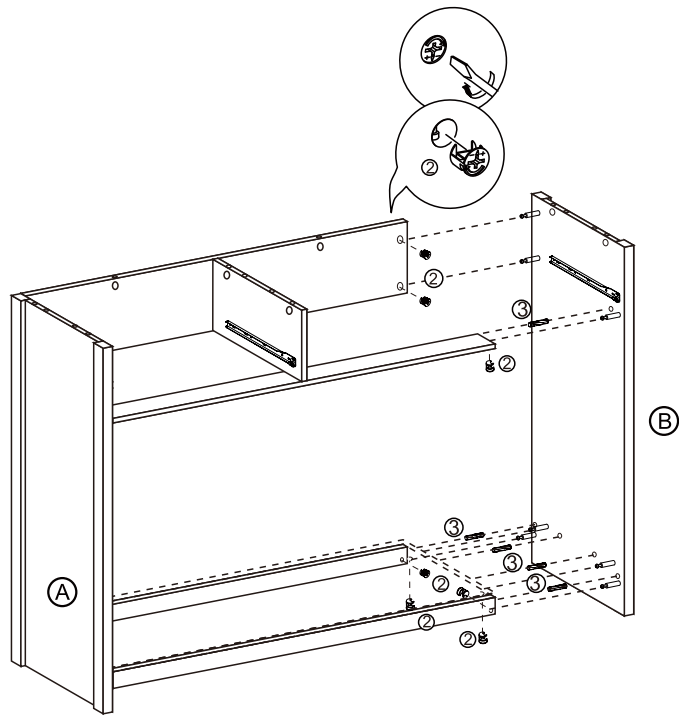
②	 x7
③	 x5




6/8

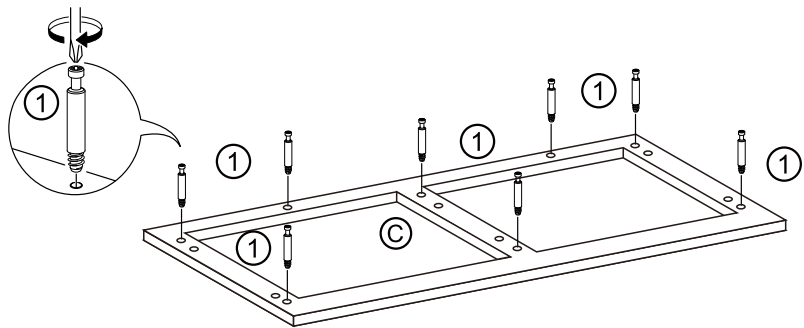
9

②		x7
③		x5





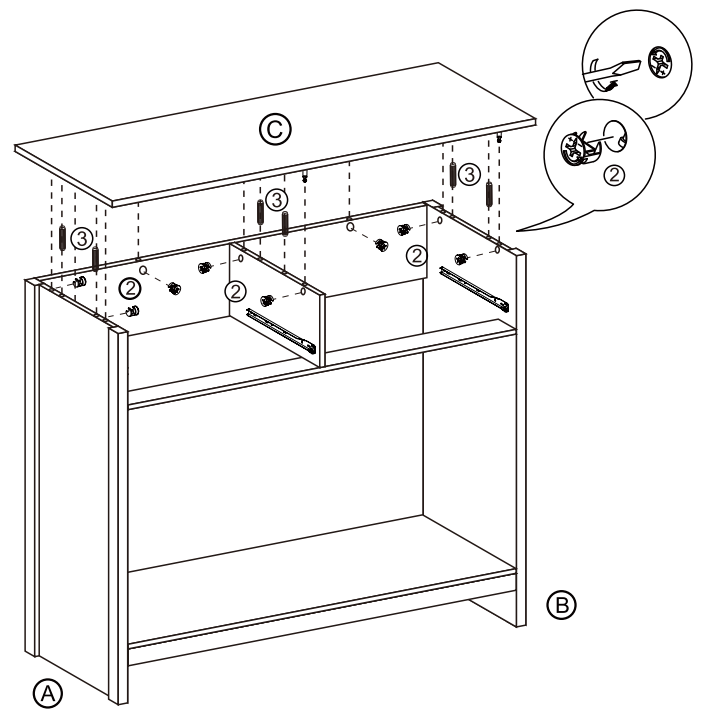
10

①		x8
---	---	----



11

②		x8
③		x6



12

