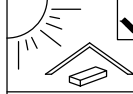




SOFT, DRY CLOTH



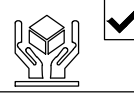
CHEMICAL



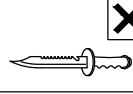
HEAT



KEEP DRY



HANDLE WITH CARE

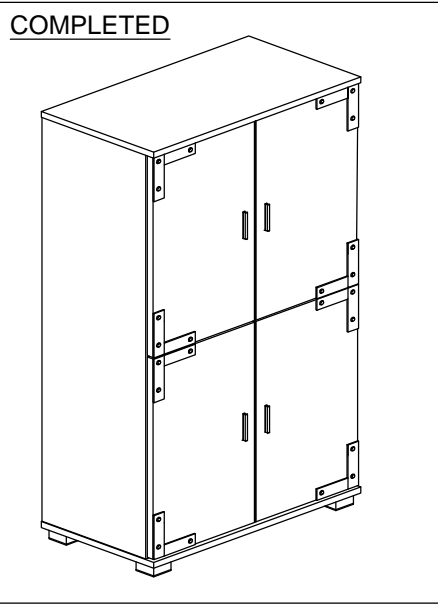
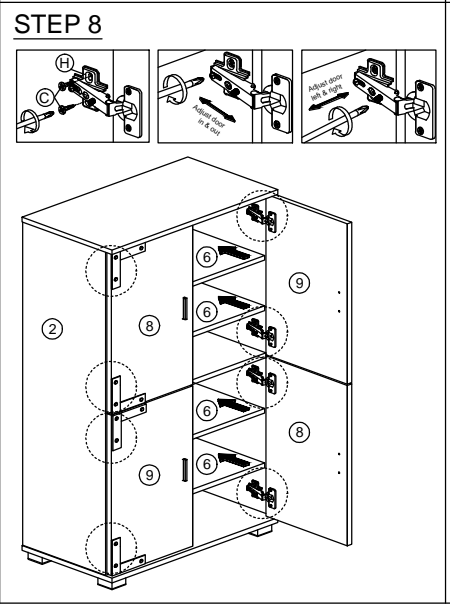
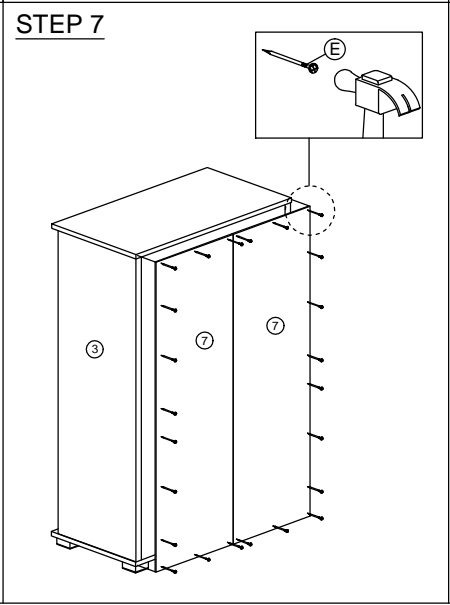
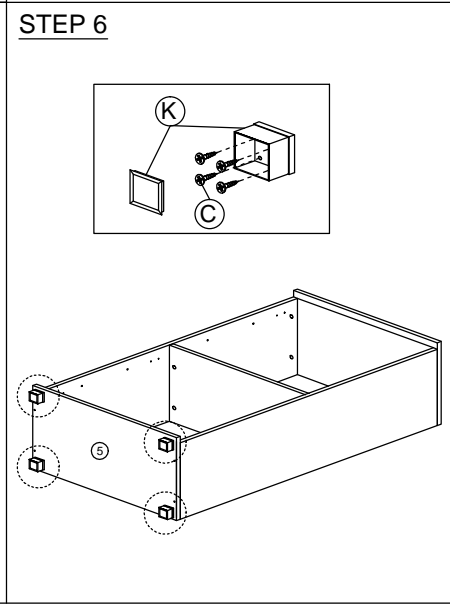
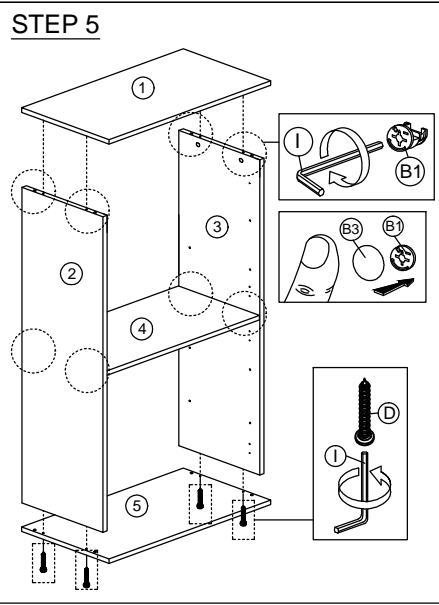
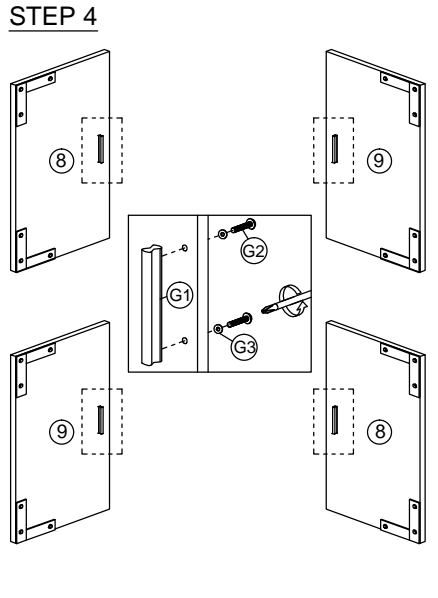
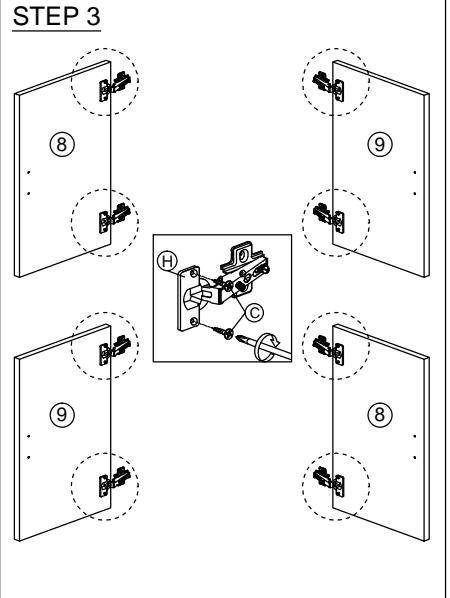
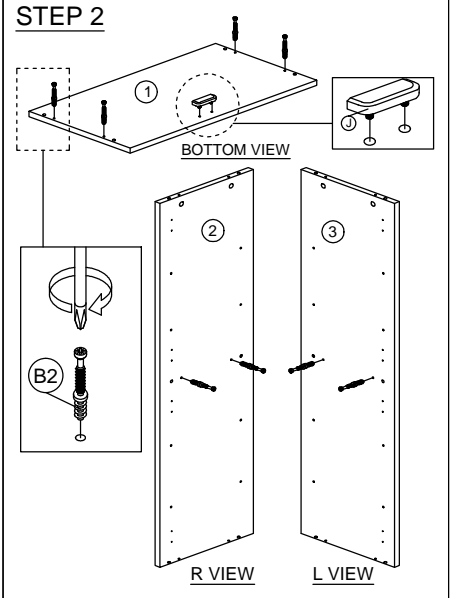
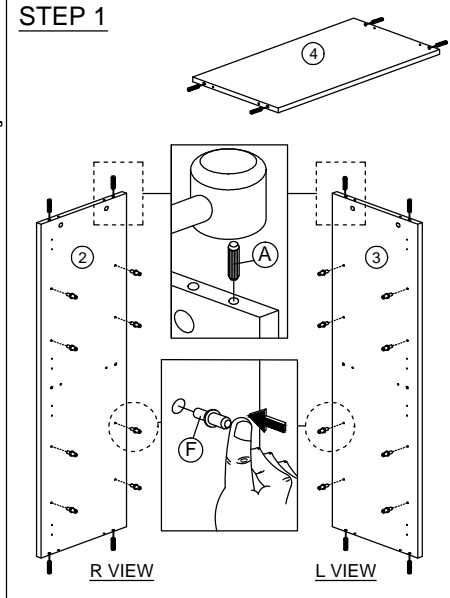
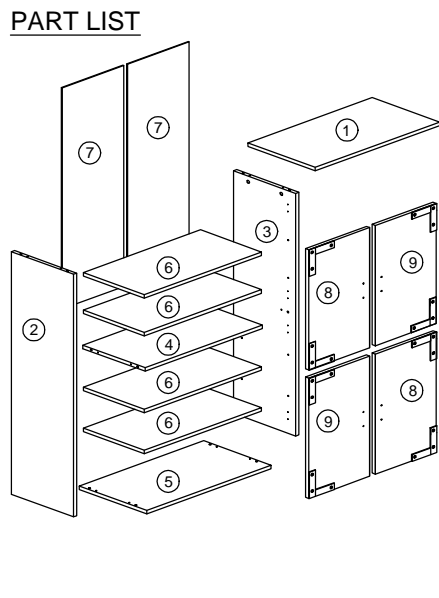


DO NOT USE KNIFE

ASSEMBLY INSTRUCTION

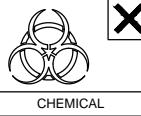
DESCRIPTION : 4 DOOR SHOE CABINET

HARDWARE	A	B	C	D	E	F	G	H	I	J	K			
	WOOD DOWEL M8 X 25MM	MINIFIX 5654+5546	QUICKFIT CAP	CB SCREW M3.5X16MM	CSK CAP M6X50MM	NAIL 5/8	SHELF SUPPORT 7050	HANDLE 7050	HANDLE SCREW M4X19MM	WASHER	HINGES 5/8	ALLEN KEY M4	2 PIN STOPPER	5038 PVC SQUARE LEG
	12	8 SETS	48	4	24	16	4	8	8	8	1	1	4	

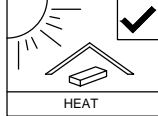




SOFT, DRY CLOTH



CHEMICAL



HEAT



KEEP DRY



HANDLE WITH CARE



DO NOT USE KNIFE

ASSEMBLY INSTRUCTION

DESCRIPTION : 4 DOOR SHOE CABINET

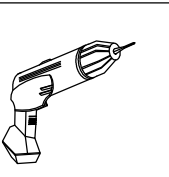
ANTI STOPPER

Z1	Z2	Z3	Z4	Z5
WASHER X4	SAFETY STRAP X2	PLASTIC WALL ANCHOR-RED X2	CB SCREW M3.5X16MM X2	CB SCREW M4X38MM X2

1.

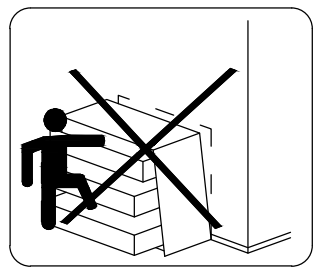
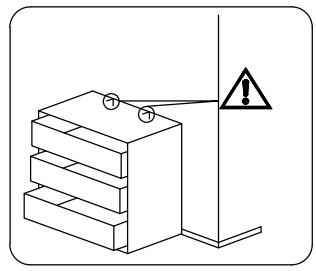
2.

3.



4.

5.



⚠ WARNING

Serious or fatal crushing injuries can occur from furniture tipover. To help prevent tip-over:

- Install tip over restraint provided.
- Place heaviest items in the lower drawers.
- Unless specifically designed to accommodate, do not set TVs or other heavy object on top of this product.
- Never allow children to climb or hang on drawers, doors or shelves.
- Never open more than one drawer at a time.
(OR)
- Do not defeat or remove the drawer interlock system.

Use of tipover restraints may only reduce, but not eliminate, the risk of tipover.

This is a permanent label. Do not remove.