

CARE AND MAINTENANCE

Spot clean using a mild water-free solvent. Only a professional cleaner should undertake a complete overall cleaning.
The use of steam or water-based cleaners may cause excessive shrinking or staining.

NOTICE

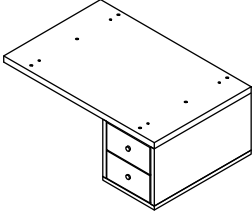
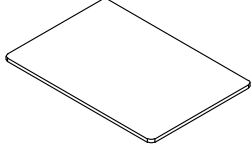
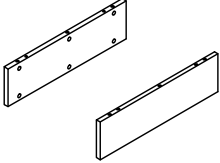
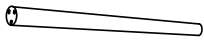
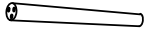
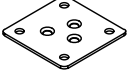
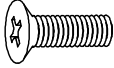
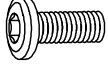

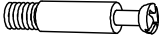



* Please make sure that you have all parts indicated before you begin assembly of this item

* This item should be assembled on a soft surface to prevent scratching the finish during assembly

* This item may require periodic tightening

DIMENSIONS: 31.5"L x 21.65"D x 29.5"H

Part List and Hardware List

PIECE	DESCRIPTION	PICTURE	QUANTITY
A	body		1X
B	top panel		1X
C	standing panel		1X
D	legs-1		2X
E	legs-2		2X
F	metal plate		4X
HW1	screw M6*1.2*16MM		12X
HW2	screw M6*1.2*14MM		16X
HW3	allen wrench M6		1X
HW4	connecting lever		12X
HW5	wane		8X
HW6	fastening		12X
HW7	cover sticker		12X

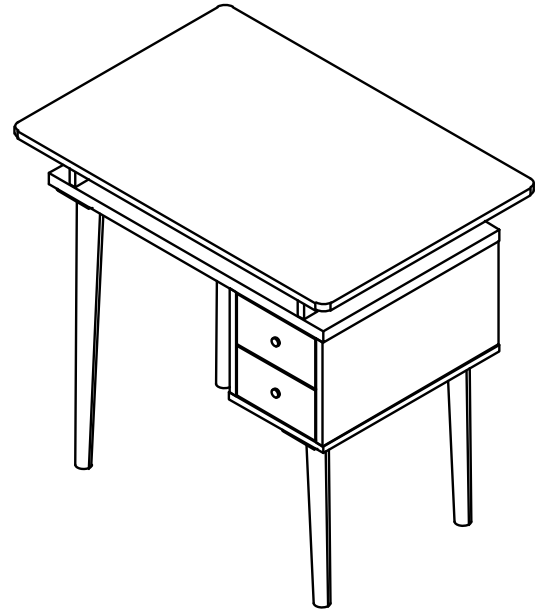


TABLE TOTAL WEIGHT CAPACITY: 110 LBS

WARNING: DO NOT STAND ON DESK
WARNING: DO NOT OVER TORQUE BOLTS/SCREWS

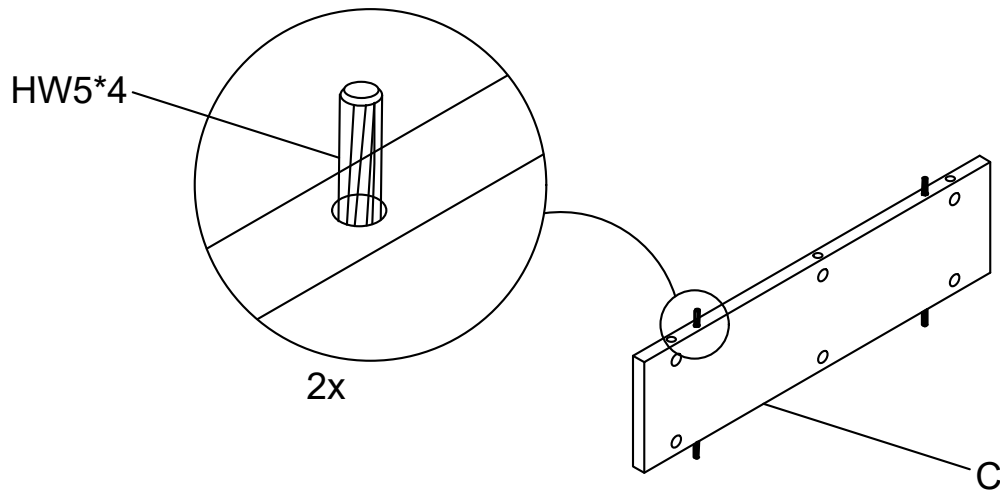
PREPARATION

Before beginning assembly of product, make sure all parts are present. Compare parts with package contents list and hardware contents list.

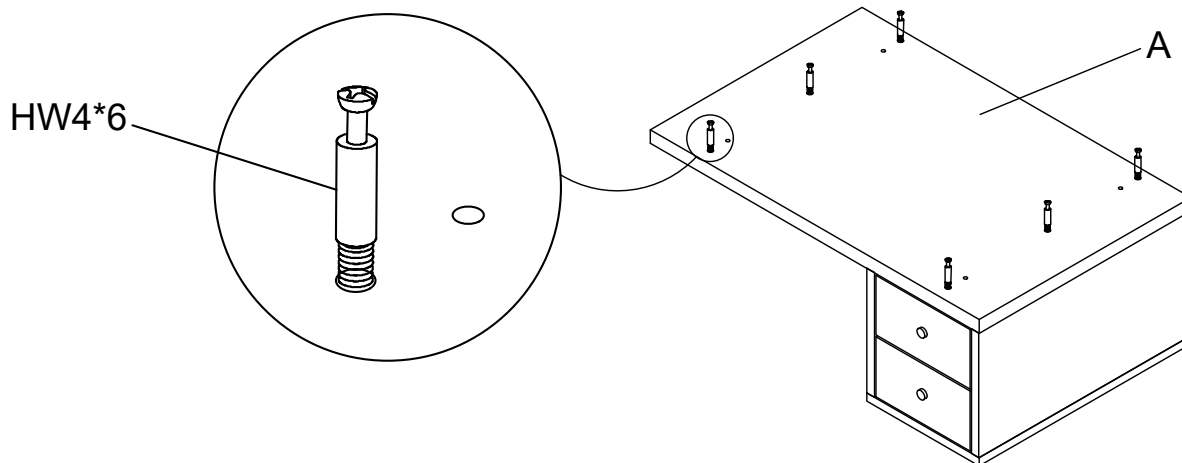
If any part is missing or damaged, do not attempt to assemble the product.

Estimated Assembly Time: 15 minutes.

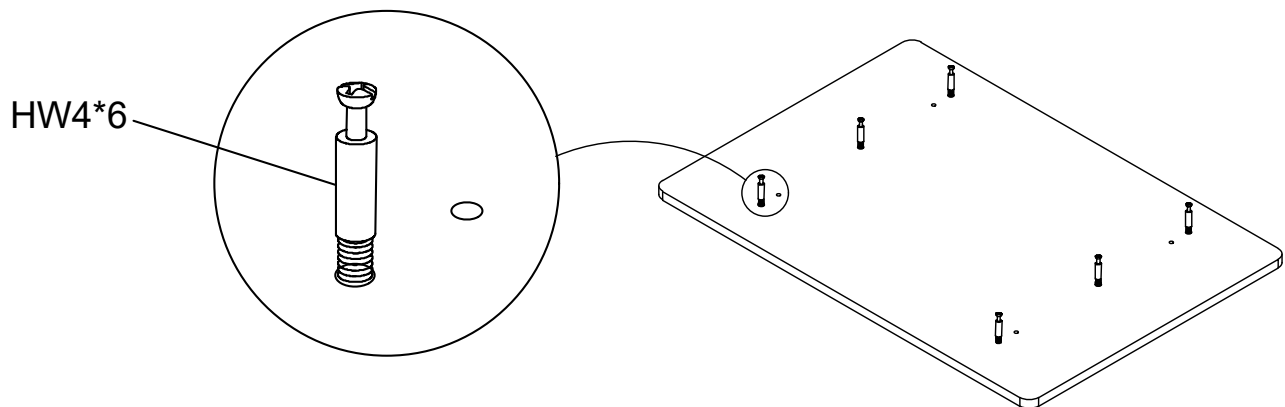
Tools Required for Assembly (included): Allen Key



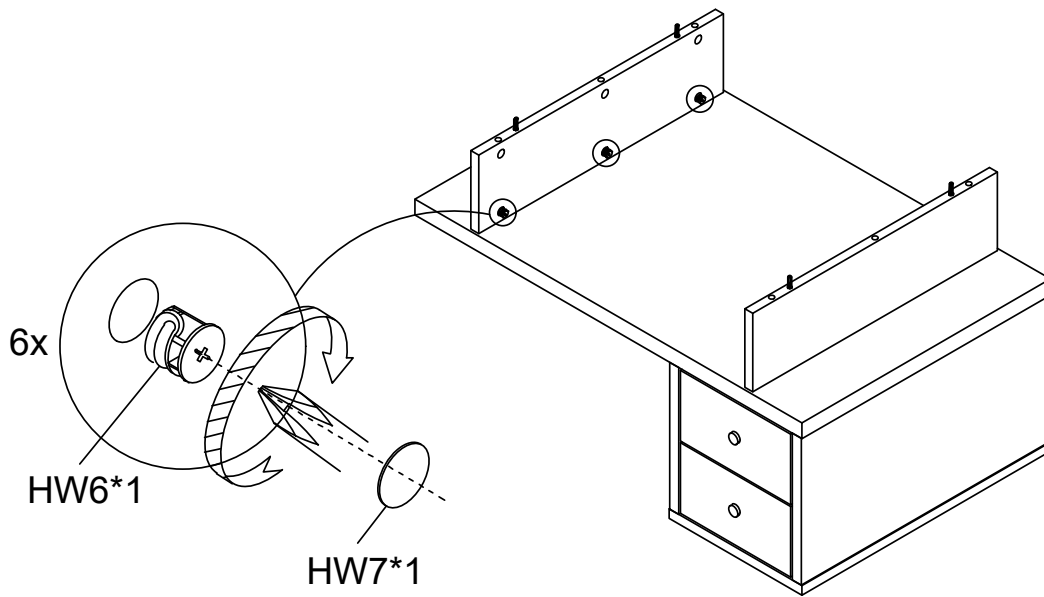
STEP1 assemble the wane.



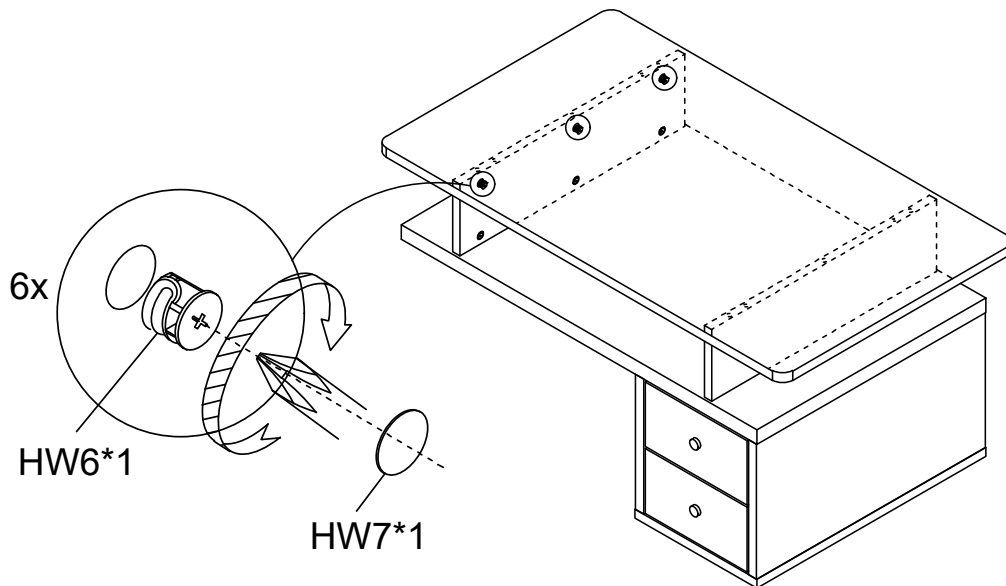
STEP2 assemble the connecting lever.



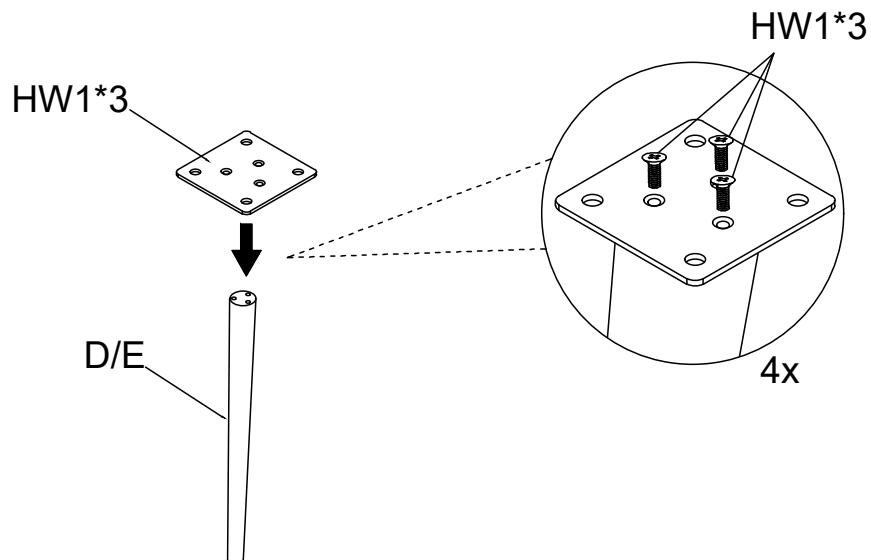
STEP3 assemble the connecting lever.



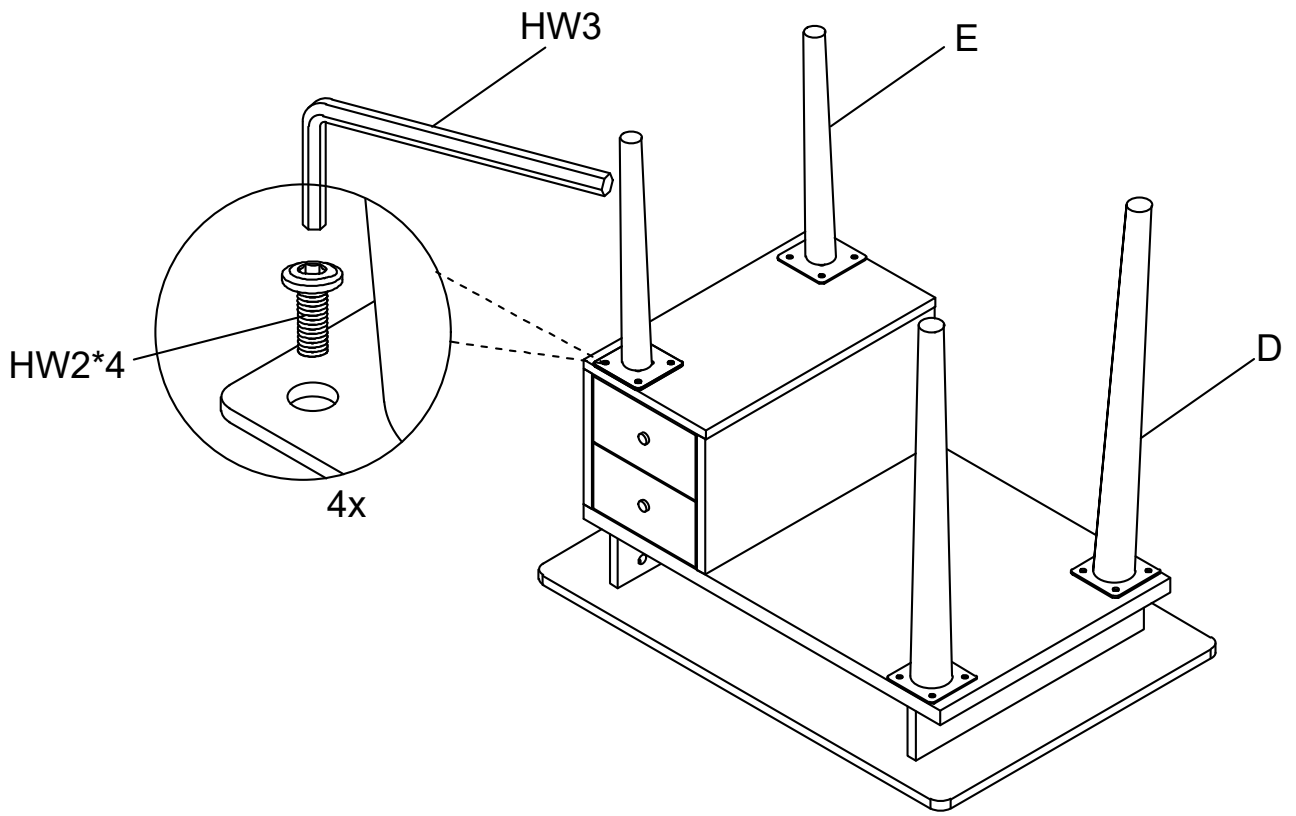
STEP4 assemble the drawer.



STEP5 assemble the drawer.



STEP6 assemble legs and metal plate.



STEP7 assemble legs on the body.