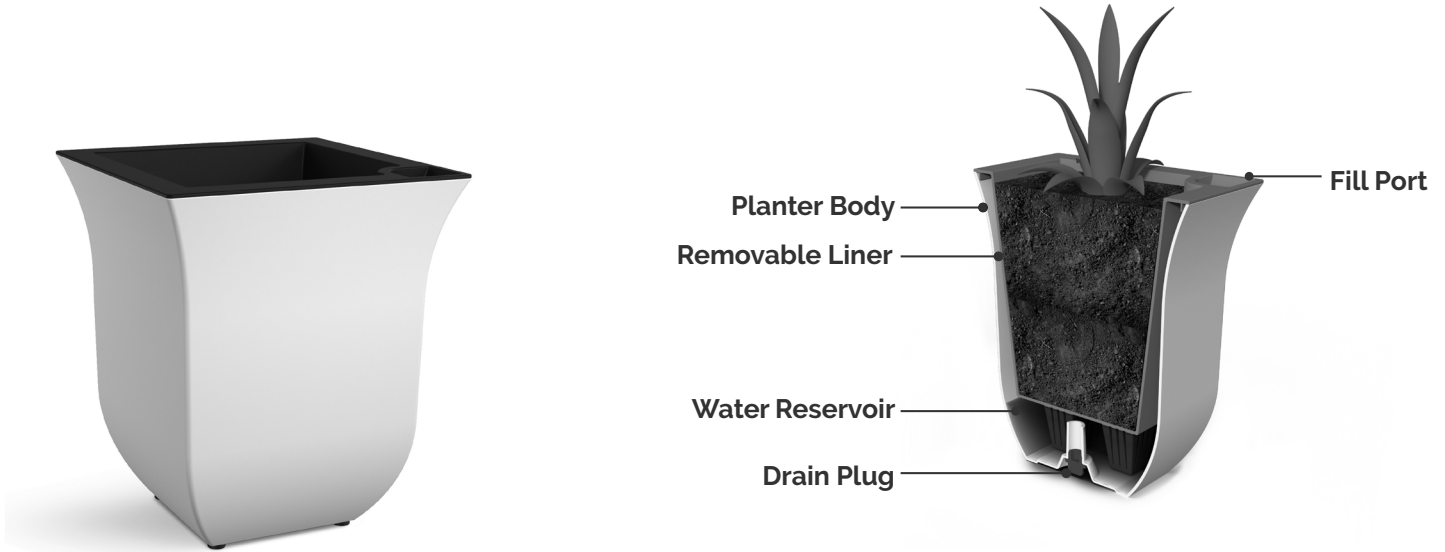


8in Tabletop Planter



- The planter is manufactured using high-grade polypropylene resin that is durable and lightweight.
- The compact size is perfect for adding greenery indoors or outdoors, without taking up too much space.
- The tabletop planter is easy to clean and maintain, requiring minimal effort to keep it looking its best.
- We offers a 2-year warranty on the tabletop planter.
- The built-in water reservoir provides plants with consistent moisture. The fill port hole provides you with direct access to the reservoir.

*The red drain plug securely installs to the bottom of the planter. It can be removed when you want to drain the planter.**

The rubber feet attach to the bottom of the planter, protect surfaces and provide non-slip contact.

**For outdoor use completely remove the red plug to allow for proper overflow drainage*

