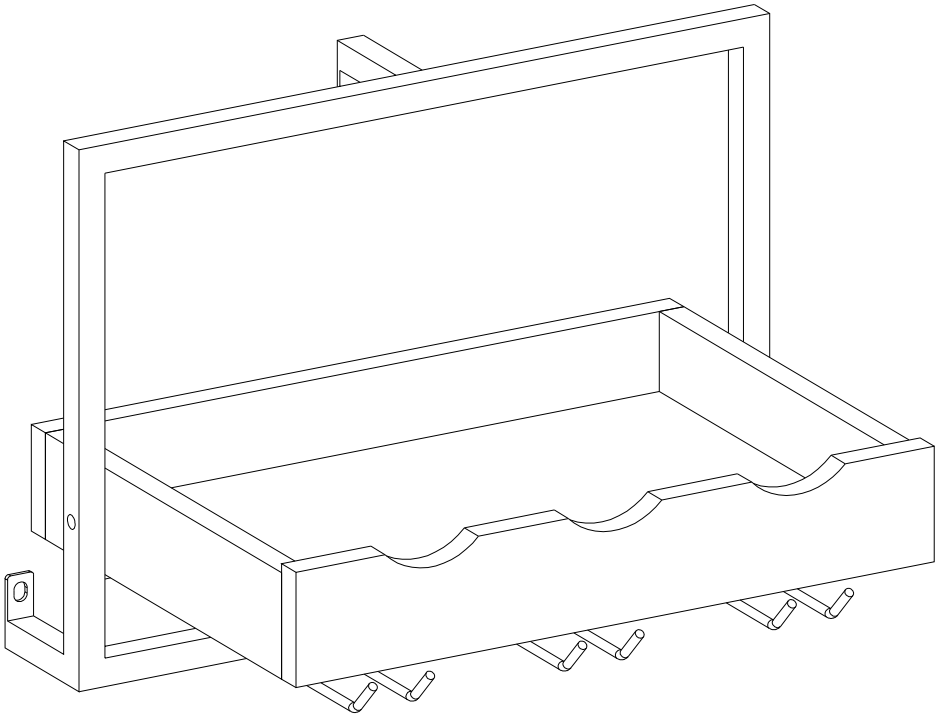
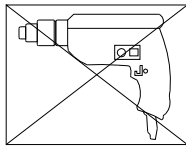


Assembly Instructions



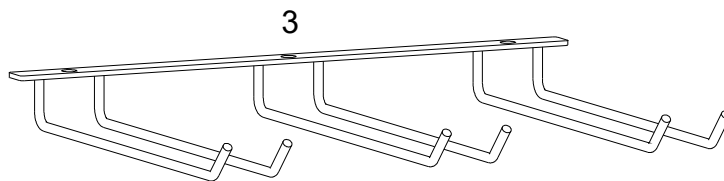
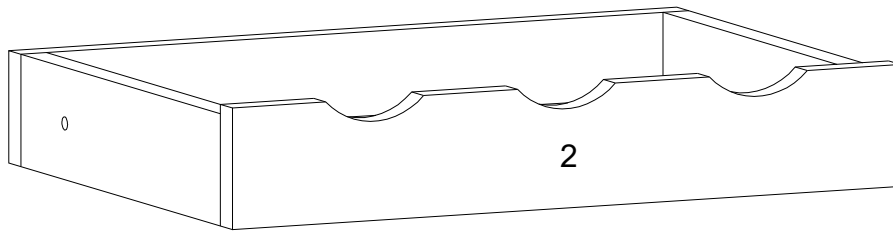
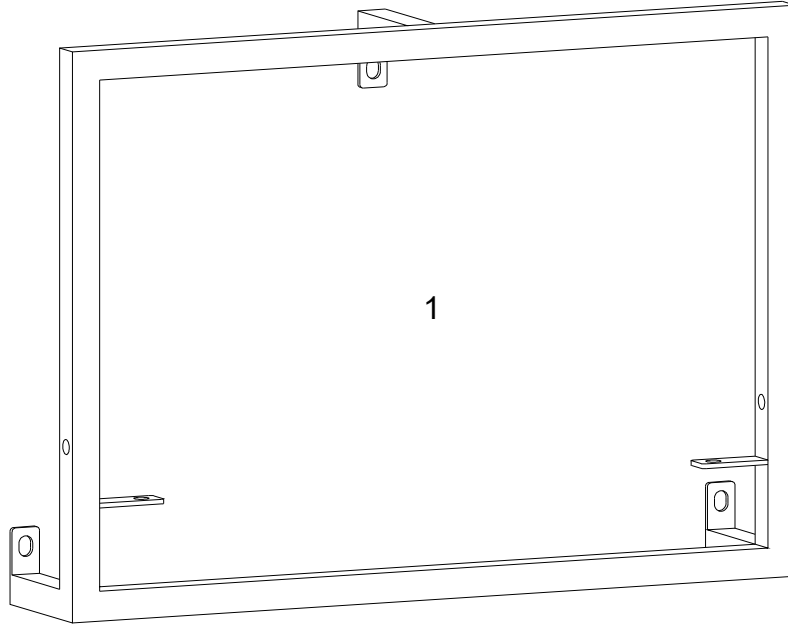
General Assembly Guidelines

- I. Ensure that all parts and hardware are available before beginning assembly.
- II. Follow each step carefully to ensure the proper assembly of this product.
- III. Two people are recommended for ease in the assembly of this product.
- IV. The main type of hardware used to assemble this product are: bolts and screws.
- V. Power tools should not be used to assemble this product.



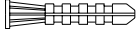






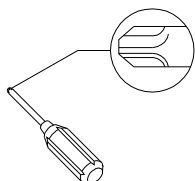
- VI. Drill may be needed for securing product to wall.

Parts List



Hardware List

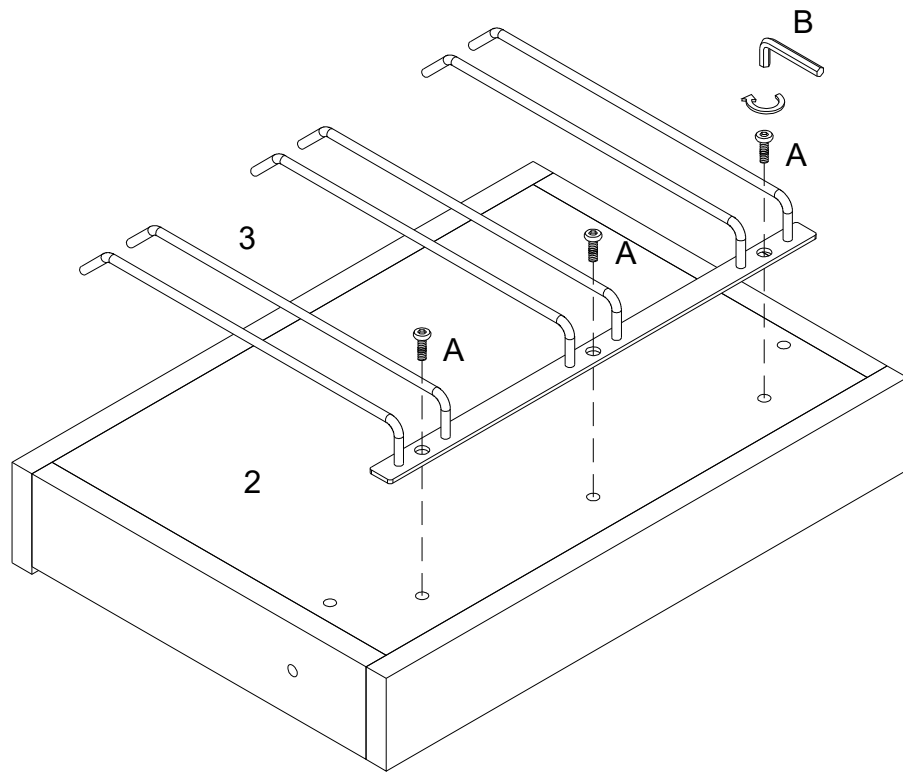
A		Ø1/4"x12mm	Bolt	5	pcs
B		M 4	Hex key	1	pc
C			Anchor	3	pcs
D		Ø5x40mm	Screw	3	pcs
E			Flat washer	3	pcs
F		Ø1/4"x25mm	Bolt	2	pcs
G			Wrench	1	pc



Philips head screwdriver required for assembly
(not included)

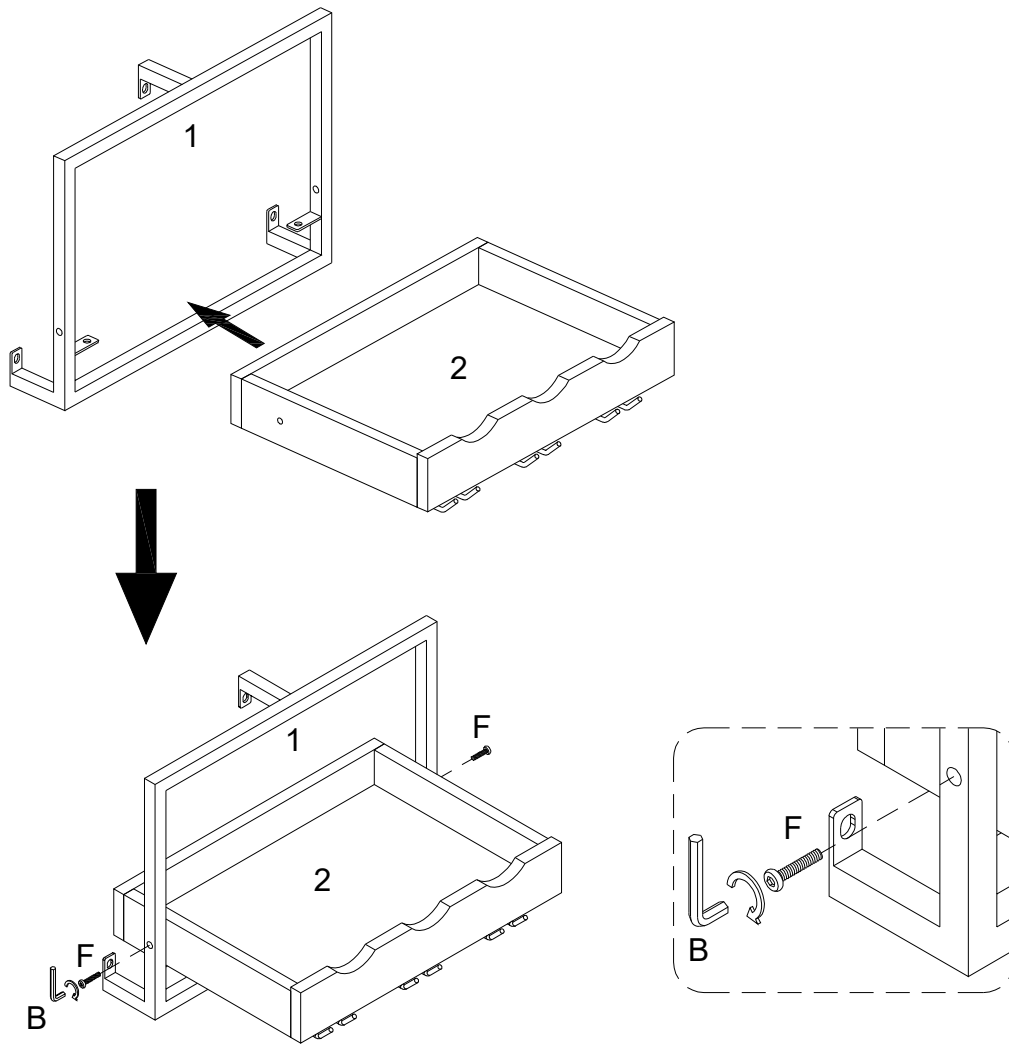
*The hardware quantities listed above are required for proper assembly.
Some extra hardware may also have been included.*

Step 1



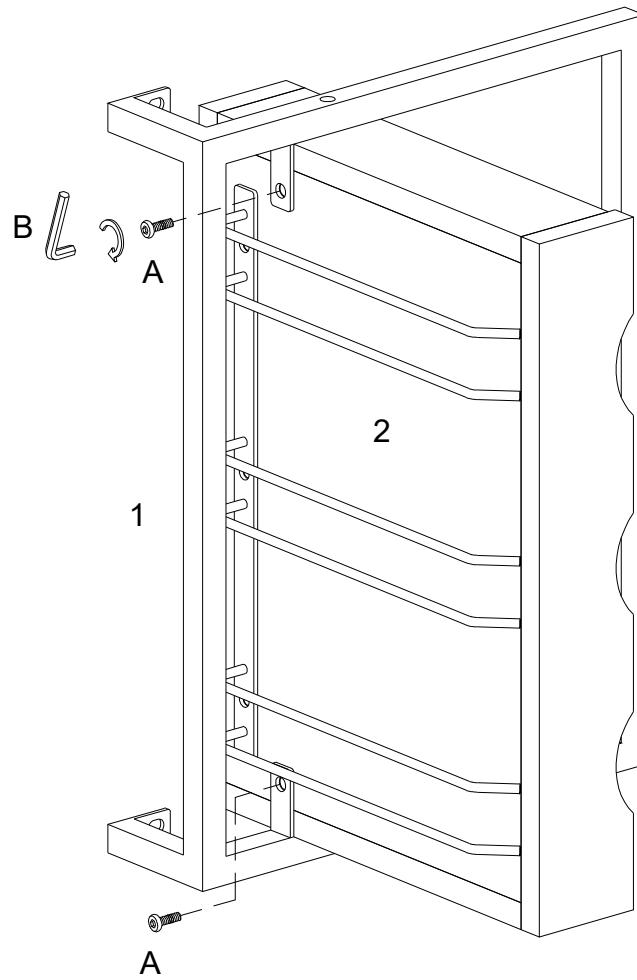
Using Bolt (A) part (3) to part (2) with Hex key (B) as per diagram.

Step 2



Using Bolt (F) attach part (1) to part (2) with Hex Key (B) as per diagram.

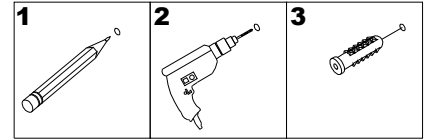
Step 3



Using Bolt (A) attach part (1) to part (2) with Hex Key (B) as per diagram.

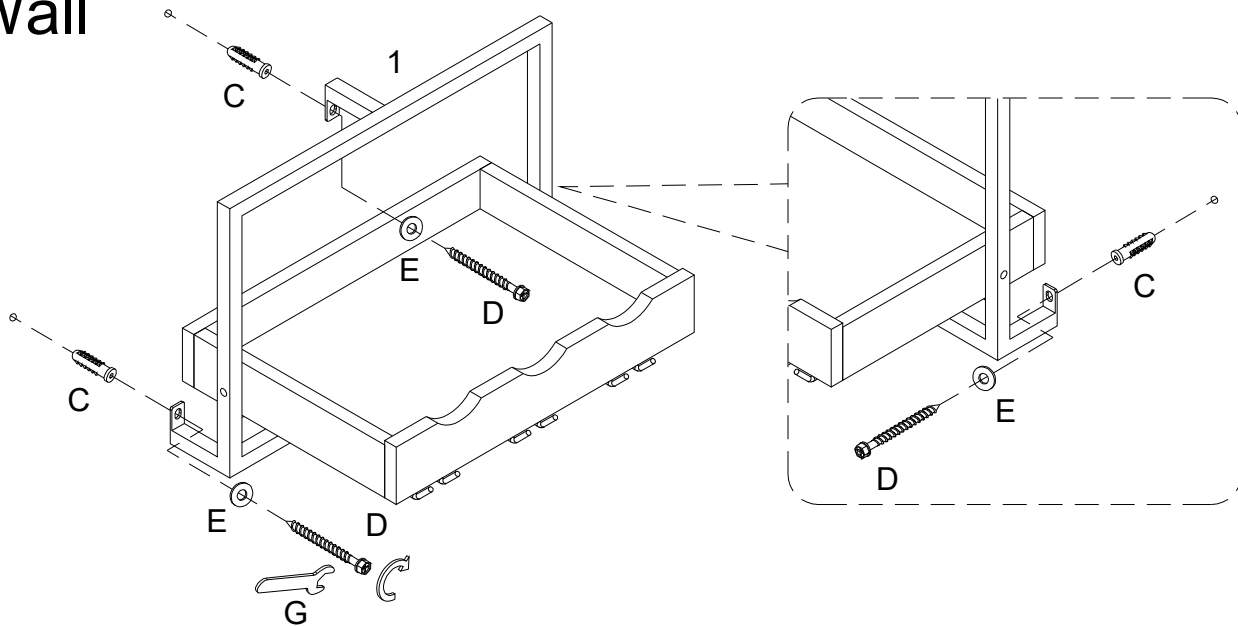
Step 4

WARNING



Serious or fatal injuries can occur from furniture tipping over. To prevent the furniture from tipping over we recommend that it is permanently fixed to the wall. Wall anchor and hardware are included with this product. Please make sure hardware is suitable for your walls before installing, as different wall materials may require different types of anchors.

Wall

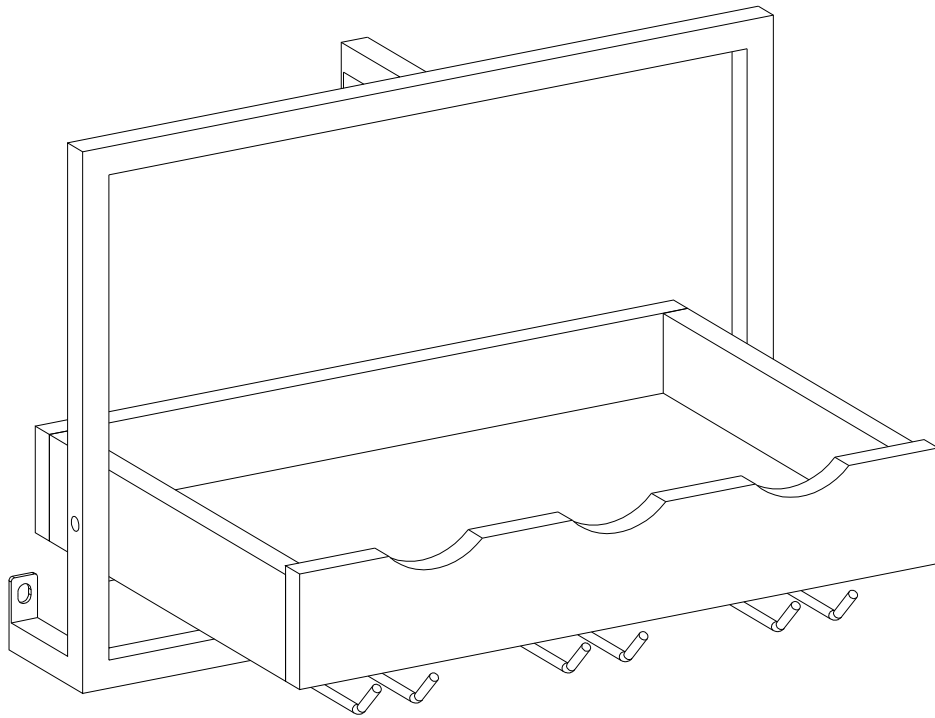


Using Screw (D) attach Flat Washer (E) into part (1) and Anchor (C) to Wall with Wrench (G) as per diagram.

If necessary ,use this template to mark where to insert mounting hardware for easy placement.

- 1 - Tape template to wall in desired location - use a level with the dotted line to ensure that template is level .
- 2 - Using a screw or pencil, poke through the paper at the center of each Circle x to mark your wall .
- 3 - Remove the paper template and using the markings, insert mounting hardware into wall .

Step 5



Final Assembly