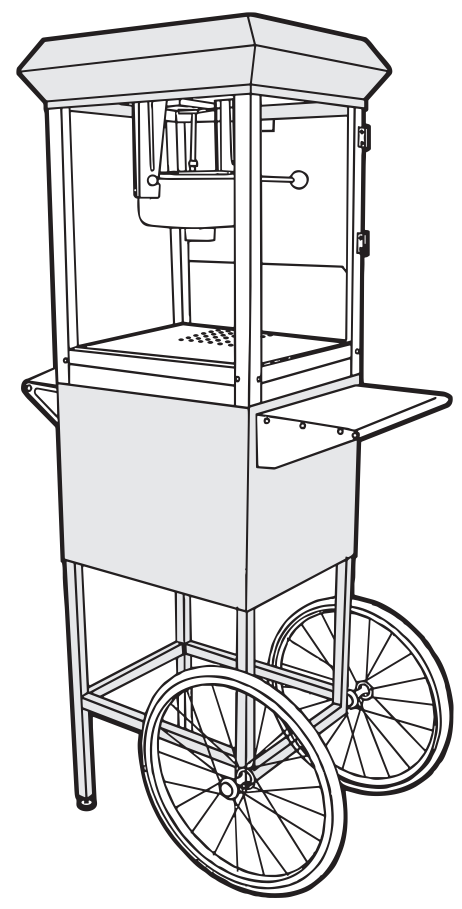


Customer Service

Contact us through our website: www.tomcustomerservice.com
If you have a question about assembly, use or a possible missing part, Please contact us and we will be glad to assist you.

Perfect Popper INSTRUCTION MANUAL



THE PERFECT POPPER POPCORN MACHINE

You have purchased our best selling popcorn popper for personal use. By purchasing the Perfect Popper you have joined an elite group of popcorn aficionados. In the world of popcorn you have now reached the next level. You have not only the convenience of a popper, but you have the convenience of a popper with a pop of popcorn.

This is a professional-grade kettle popper. It is the same kettle used by sport stadiums, theaters, concession stands, convenience stores and restaurants. Fresh popcorn for every event is just minutes. 6 professional popcorn scoops and bags are included. Just form an orderly line, there is plenty for everyone.

IMPORTANT SAFEGUARDS and DO NOT'S

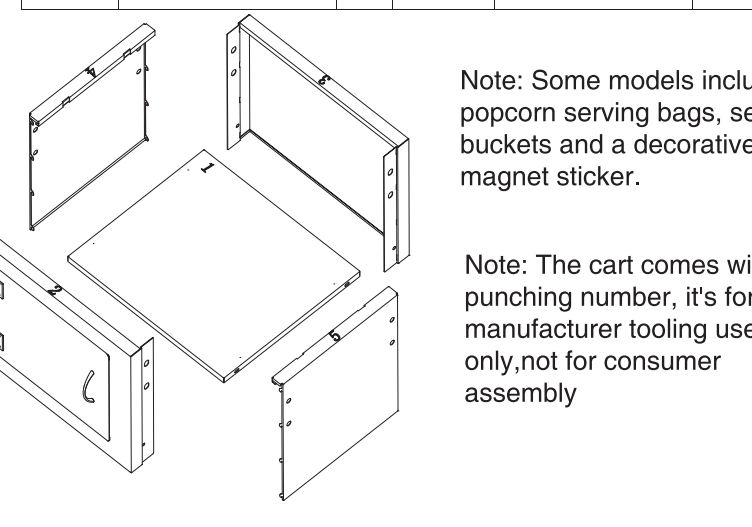
READ ALL INSTRUCTIONS BEFORE USING YOUR POPCORN MACHINE.

⚠ DANGER! HOT!

- **EXTREME CAUTION** must be used when operating the kettle. The kettle is extremely hot. Do not touch the kettle. Always use the correct handles to touch the kettle. Do not touch the kettle directly. Do not touch the kettle directly. Do not touch the kettle directly.
- **KEEP CHILDREN** away from the kettle. Do not allow children to touch the kettle. Do not allow children to touch the kettle.
- **KEEP PLASTIC BAGS** or other containers not recommended to use away from the kettle to avoid melting, combustion, or burns from melted plastic.
- **DO NOT** use the popper for anything other than the intended purpose. The Perfect Popper is intended for residential or personal use only. This appliance is **NOT** intended for commercial use.
- The popper must be properly assembled before using. Follow instructions and recommendations carefully.
- **ONLY** connect to an electrical outlet with the correct electrical supply and proper grounding to reduce the risk of shock and fire. Do not cut or remove the grounding pin. Do not use a three-prong electrical outlet adapter. Do not use a certified electrician to install a power outlet. Do not use a wall receptacle that is not properly grounded. Consult a qualified electrician to see your wiring and circuit can handle the **Phase Make**. First time use, check inside glass and wipe inside area with damp sponge. Thoroughly wipe inside of stainless steel pot with clean damp sponge before heat is applied.
- Make sure all switches are in the OFF position after each use. Disconnect power cord from the electric outlet before cleaning.
- **DO NOT** immerse cord or plug into water or other liquids. **DO NOT** use extension cords or other devices. Do not connect the cord to a electrical outlet.
- **DO NOT** operate the popper with damaged cord or plug, malfunction or with any mechanical damage.
- **ALWAYS** wear safety glasses when servicing the popper.
- **DO NOT** reuse the popper during operation. Allow the parts to cool down before moving or handling.
- **DO NOT** add kernels into a dry pot (without oil). Do not overfill. Always fill from oil and kernels ready before turning on heat.
- **DO NOT** place the pot or heat or gas or electric burner or near a heated oven.
- **DO NOT** use outdoors. In wet environments or near swimming pools, ponds or hot tubs/bathtubs.
- **DO NOT** use accessories or attachments that are not provided or recommended by manufacturer.
- **KEEP CHILDREN** away from popper while in operation.
- **DO NOT** use abrasive cleaning products or abrasive scrub or materials on any surface of this machine. Abrasive, abrasive scrub to spot on inside of pot. Absolutely **NO** soap.
- **NEVER** force any parts or brackets into position. **SAFE** these instructions for learn reference.

IMPORTANT KNOWLEDGE FOR UNPACKING

Part No.	DESCRIPTION/QUANTITY	Qty	Part No.	DESCRIPTION/QUANTITY	Qty
1	Long Stand	1	2	Popcorn Cabinet	1
3	Bottom Back Member	1	4	Popcorn Cabinet Base	1
5	Short Wheel Base	1	6	Wheels	1
7	Roller	1	8	Roller Screws	1
9	Front Panel	1	10	Popcorn Scoop	1
11	Heat Knob	1	12	Heater Knob Cap	1
13	Light Knob	1	14	Heater Knob Cap	1
15	Light Knob	1	16	Heater Knob Cap	1
17	Light Knob	1	18	Heater Knob Cap	1
19	Light Knob	1	20	Heater Knob Cap	1
21	Light Knob	1	22	Heater Knob Cap	1



Note: Some models include popcorn serving bags, serving buckets and a decorative magnet sticker.

Note: The cart comes with purchasing number, it's for manufacturer tracking use only, not for consumer assembly.

