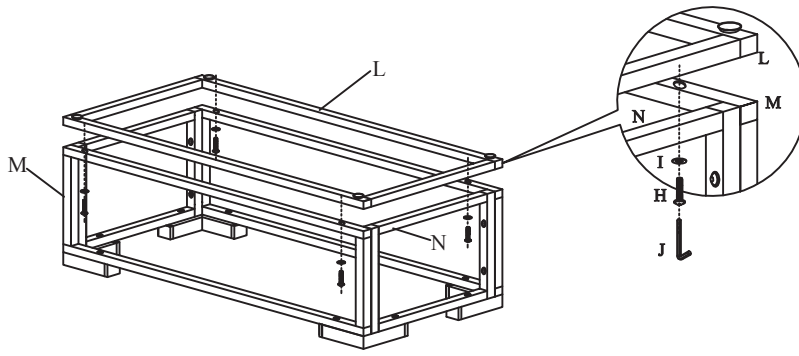
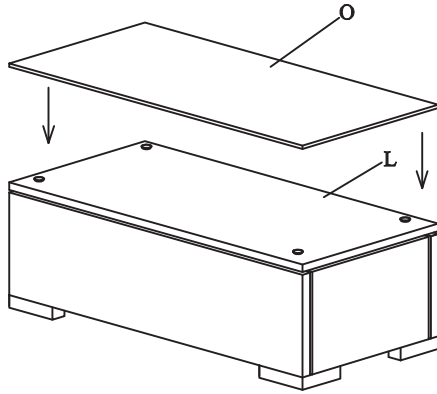


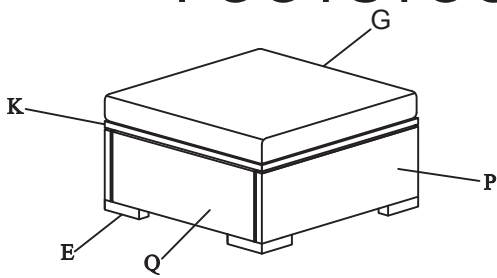
STEP 3



STEP 4

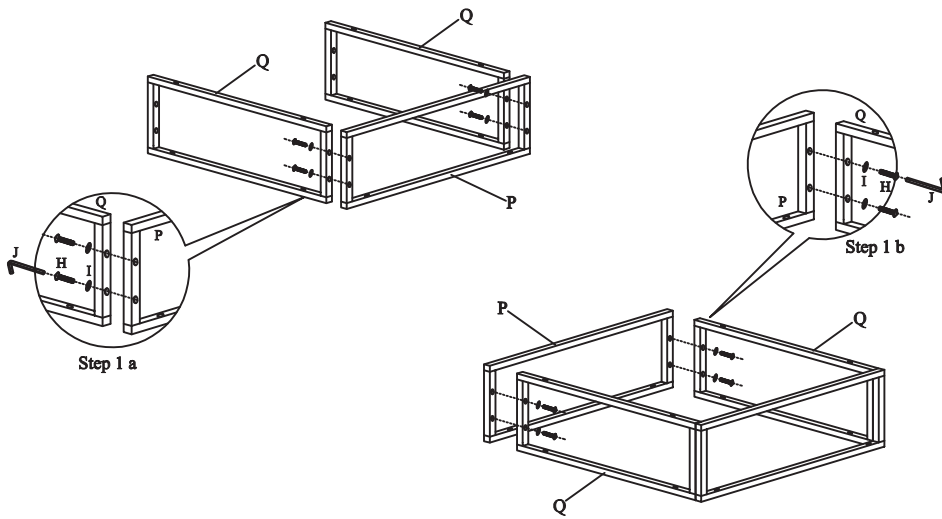


# FOOTSTOOL ASSEMBLY INSTRUCTIONS

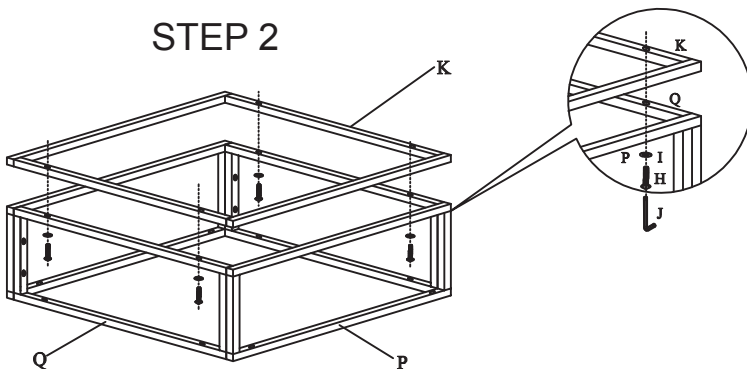


Parts List				Hardware List found in box !		
Part	Description	Box	Qty	Part	Description	Qty
K	Stool Top	1	1	H	M6*40mm Bolt	20
P	Long Side Panel	2	2	I	M14mm Washer	20
Q	Short Side Panel	2	2			
E	L Leg	2	4			
G	Seat Cushion	2	1			

STEP 1



STEP 2



STEP 3

