

SAFETY INSTRUCTION

Please read and understand all instructions before operate or install the product. Failure to do so may lead to electric shock, fire or other injuries that could be hazardous or even fatal.

- Shut off the electricity to the wires that you are working on.
- Do NOT open, no user serviceable parts inside. Any changes or modifications and applications not expressly approved by the manufacturer could void the user's authority to operate the equipment and warranty.

WARNING

- RISK OF ELECTRIC SHOCK: Turn power off before inspection, installation or removal. Properly ground electrical enclosure.
- RISK OF FIRE: Follow all NEC and local codes. Use only UL or IEC approved wire for input/output connections. Minimum size 18 AWG (0.75 mm²). Do not install insulation within 3 inches (76 mm) of luminaire top.
- RISK OF INJURY, RISK OF DAMAGE: Luminaire may fall if inner bezel is not secured properly to outer bezel. Ensure that the whole loop is positioned and secured under the washer.
- LED retrofit kit installation requires knowledge of luminaires electrical systems. Do NOT attempt installation if not qualified. Contact a qualified electrician.
- Install this kit only in the luminaires that have the construction features and dimensions shown in the photographs and/or drawings.
- Do NOT exceed the input rating of the luminaire.
- Do NOT make or alter any open holes in an enclosure of wiring or electrical components during installation.
- To prevent wiring damage or abrasion, do NOT expose wiring to edges of sheet metal or other sharp objects.
- This device is not intended for use with emergency exits.
- This retrofit kit is accepted as a component of a luminaire where the suitability of the combination shall be determined by authorities having jurisdiction.

CAUTION

- RISK OF FIRE: THIS PRODUCT MUST BE INSTALLED IN ACCORDANCE WITH THE APPLICABLE INSTALLATION CODE BY A PERSON FAMILIAR WITH THE CONSTRUCTION AND OPERATION OF THE PRODUCT AND THE HAZARDS INVOLVED. CONSULT A QUALIFIED ELECTRICIAN TO ENSURE CORRECT BRANCH CIRCUIT CONDUCTOR.

*THE LED LUMINAIRE MUST BE CONNECTED TO THE MAINS SUPPLY ACCORDING TO ITS RATINGS ON THE PRODUCT LABEL.

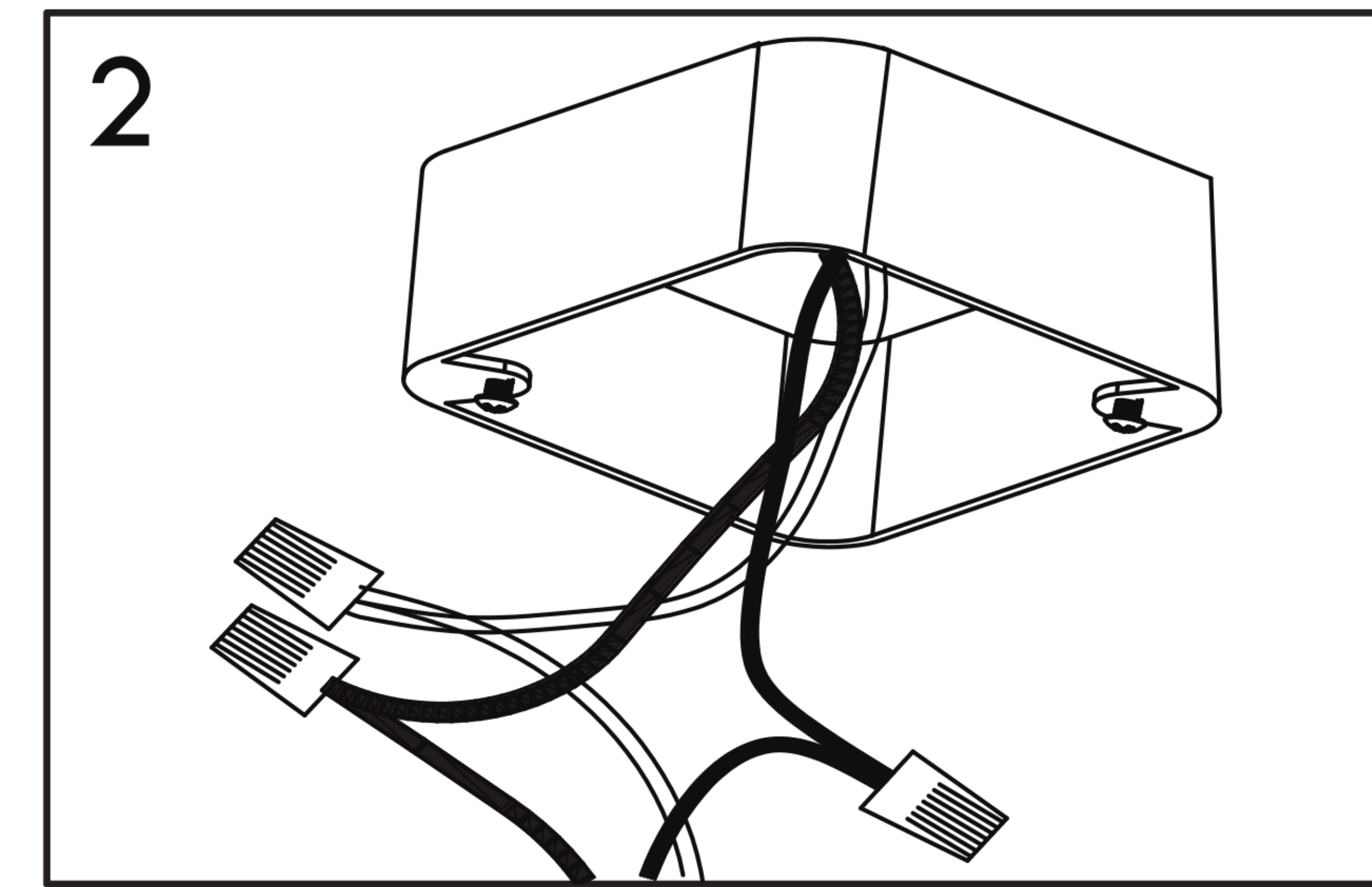
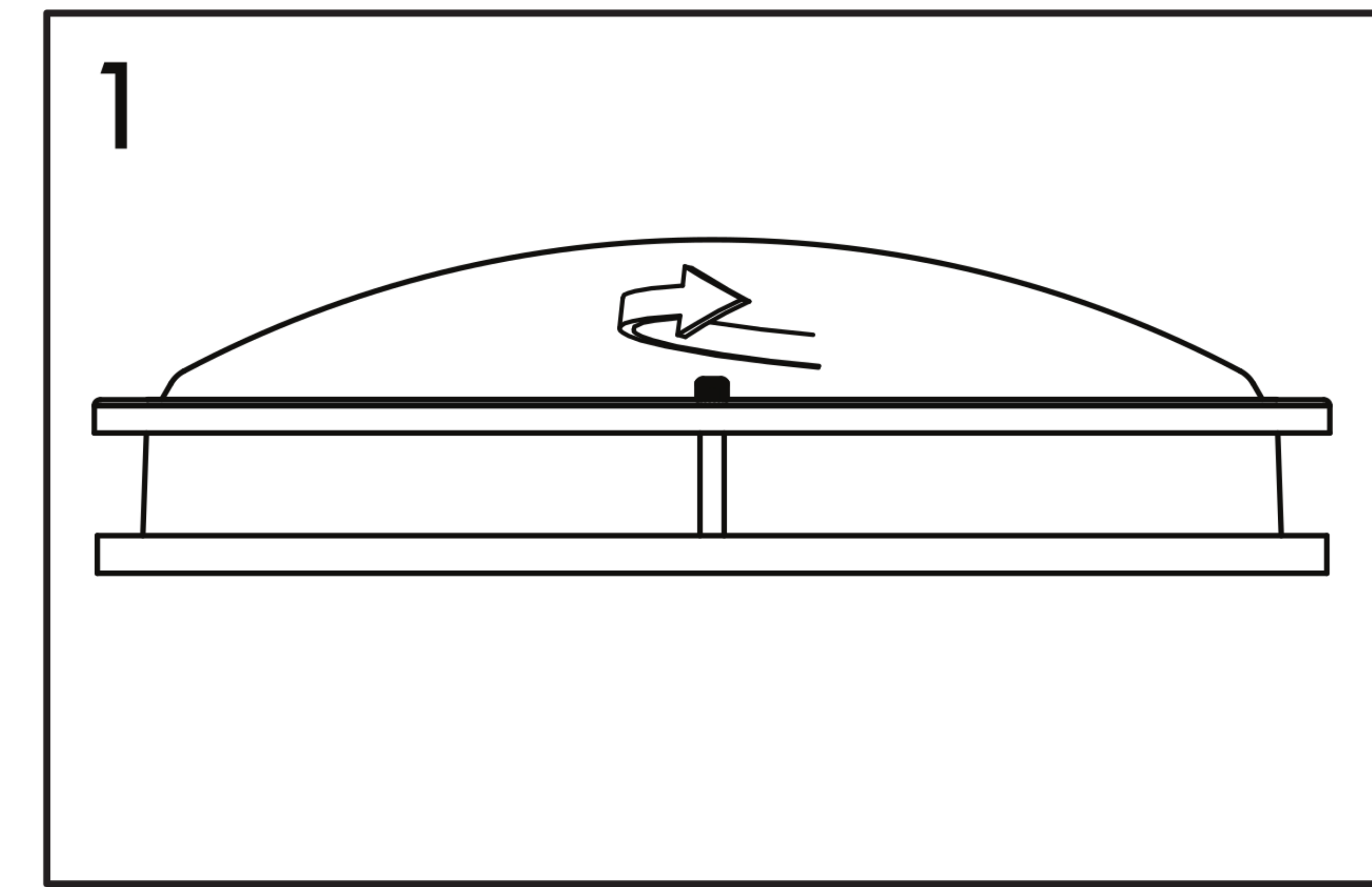
- Connect fixture to a 120 Volt, 60Hz power source only. Any other connection void the warranty.

This device complies with Part 15 of the FCC Rules. Operations is subject to the following conditions: (1) This device may not cause harmful interference, and (2) this device must accept any interference received,

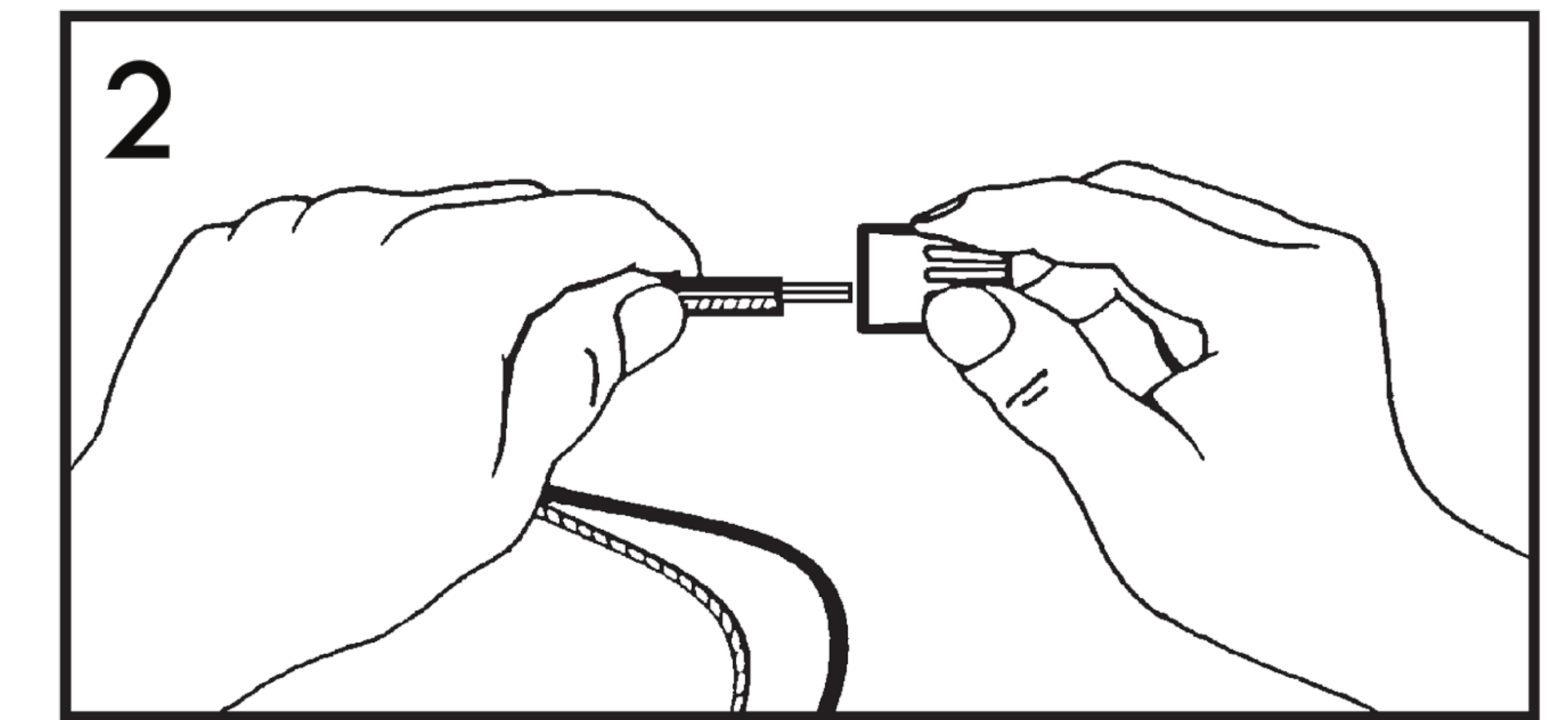
including interference that may cause undesired operation. This Class (A) RELD complies with the Canadian standard ICES-003.

NOTE: This equipment has been tested and found to comply with the limits for a Class A digital device, pursuant to part 15 of the FCC Rules. These limits are designed to provide reasonable protection against harmful interference when the equipment is operated in a commercial environment. This equipment generates, uses, and can radiate radio frequency energy and if not installed and used in accordance with the instruction manual, may cause harmful interference to radio communications. Operation of this equipment in a residential area is likely to cause harmful interference in which case the user will be required to correct the interference at his own expense.

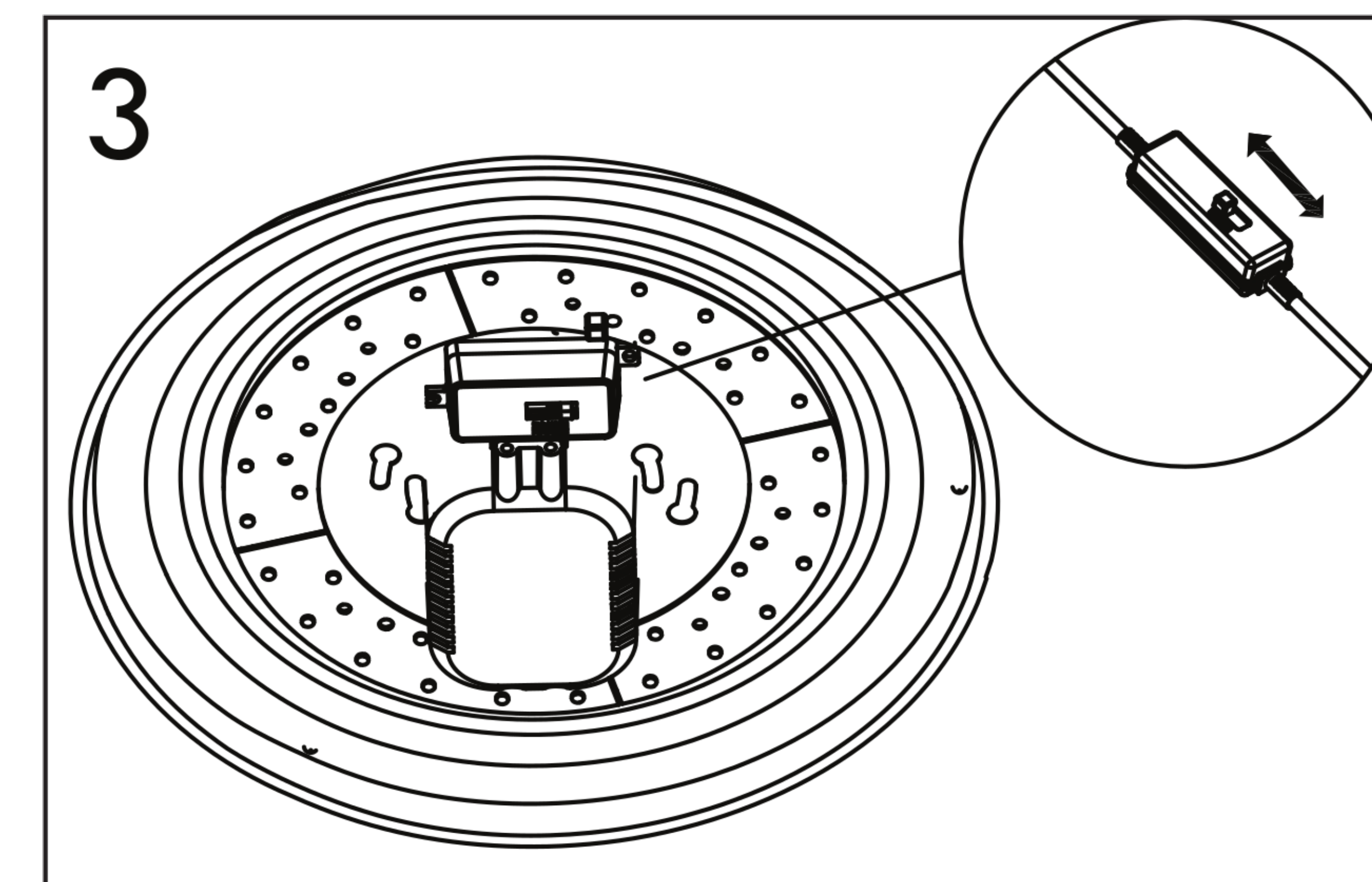
INSTALLATION



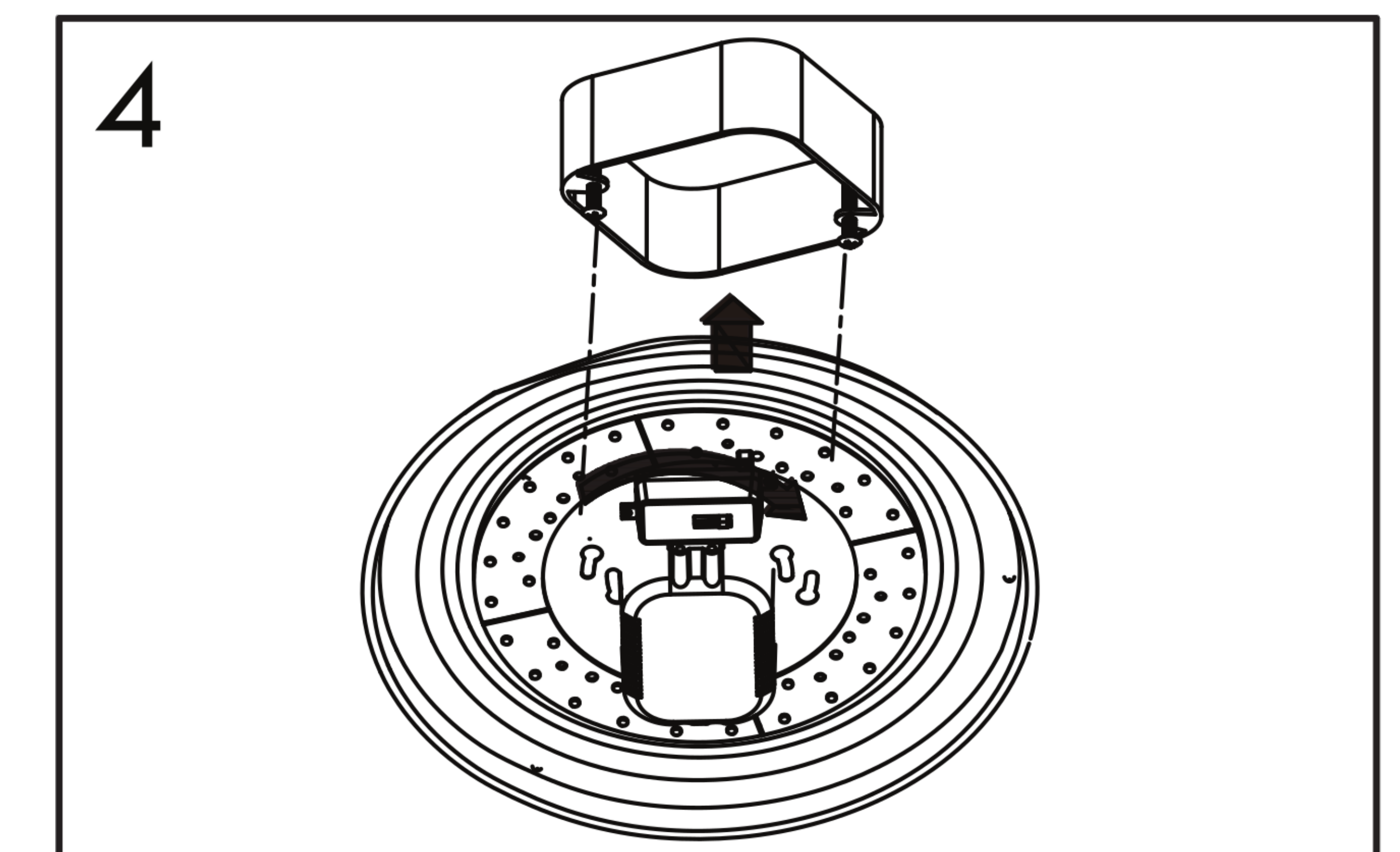
2. Open the junction box. Junction box contains three wires: hot (black), neutral (white) and bare ground. Connect the two hot wires together with wiring nuts (one from the light switch cable and the other from the recessed housing). Repeat the step with the two neutral wires. Close the junction box to complete the wiring.



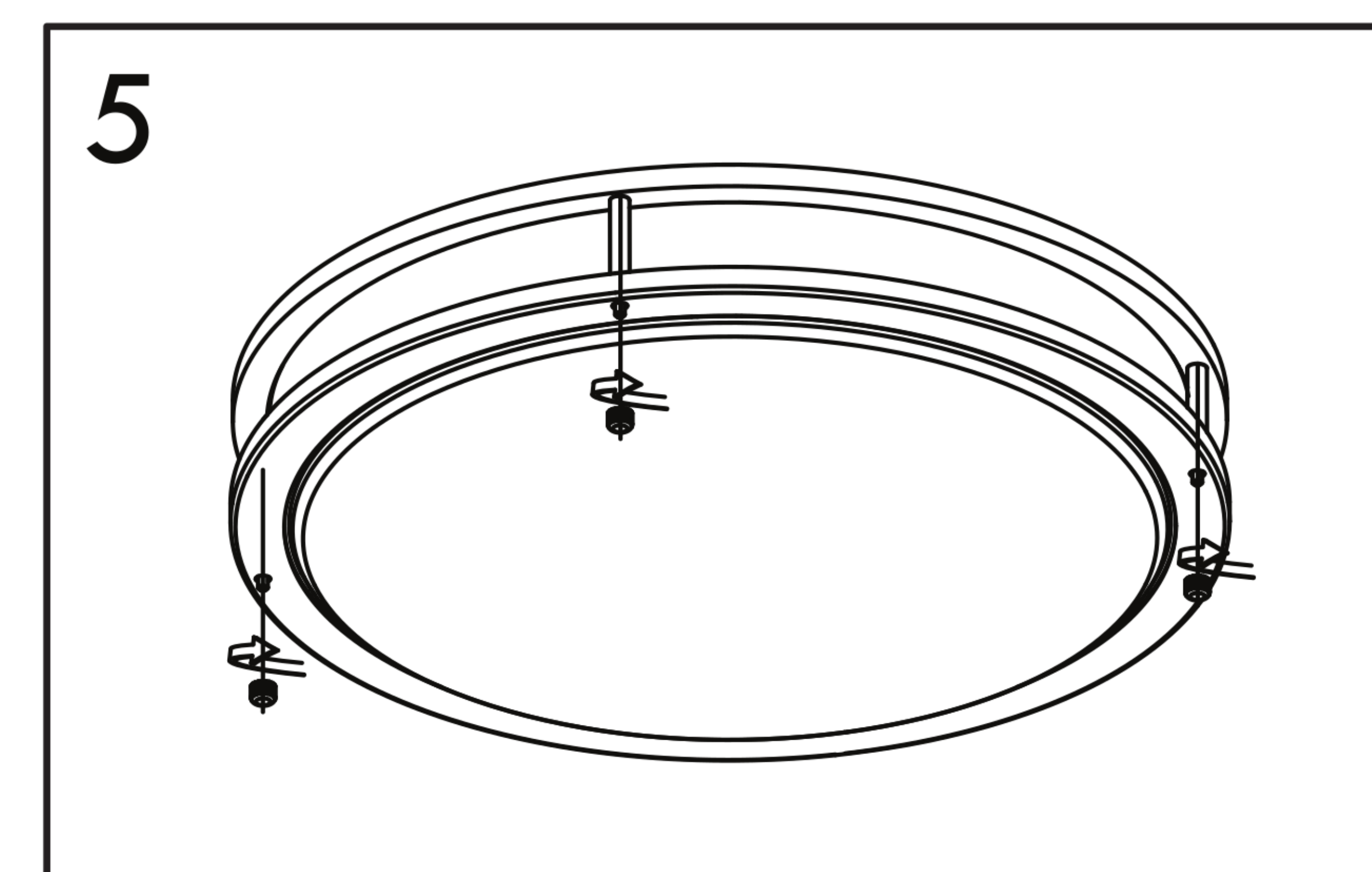
Connect to BLACK house wire	Connect to WHITE house wire
BLACK	WHITE
PARALLEL WIRE (ROUND & SMOOTH)	PARALLEL WIRE (RIBBED / RIDGED)
WHITE OR GREY WITH TRACER	WHITE OR GREY WITHOUT TRACER
BROWN, GOLD OR BLACK WITHOUT TRACER	BROWN, GOLD OR BLACK WITH TRACER



3. Put the fixture plate across the screw of the lock, then rotate fixture plate clockwise and lock it tightly with the screw lock. Use the switch to choose desired Color Temperature.



4. Securely mount the fixture plate to the junction box firmly.



5. Place Diffuser and tighten screws clockwise to complete the installation. Restore power to the electrical box. Turn the light switch on to activate the fixture.