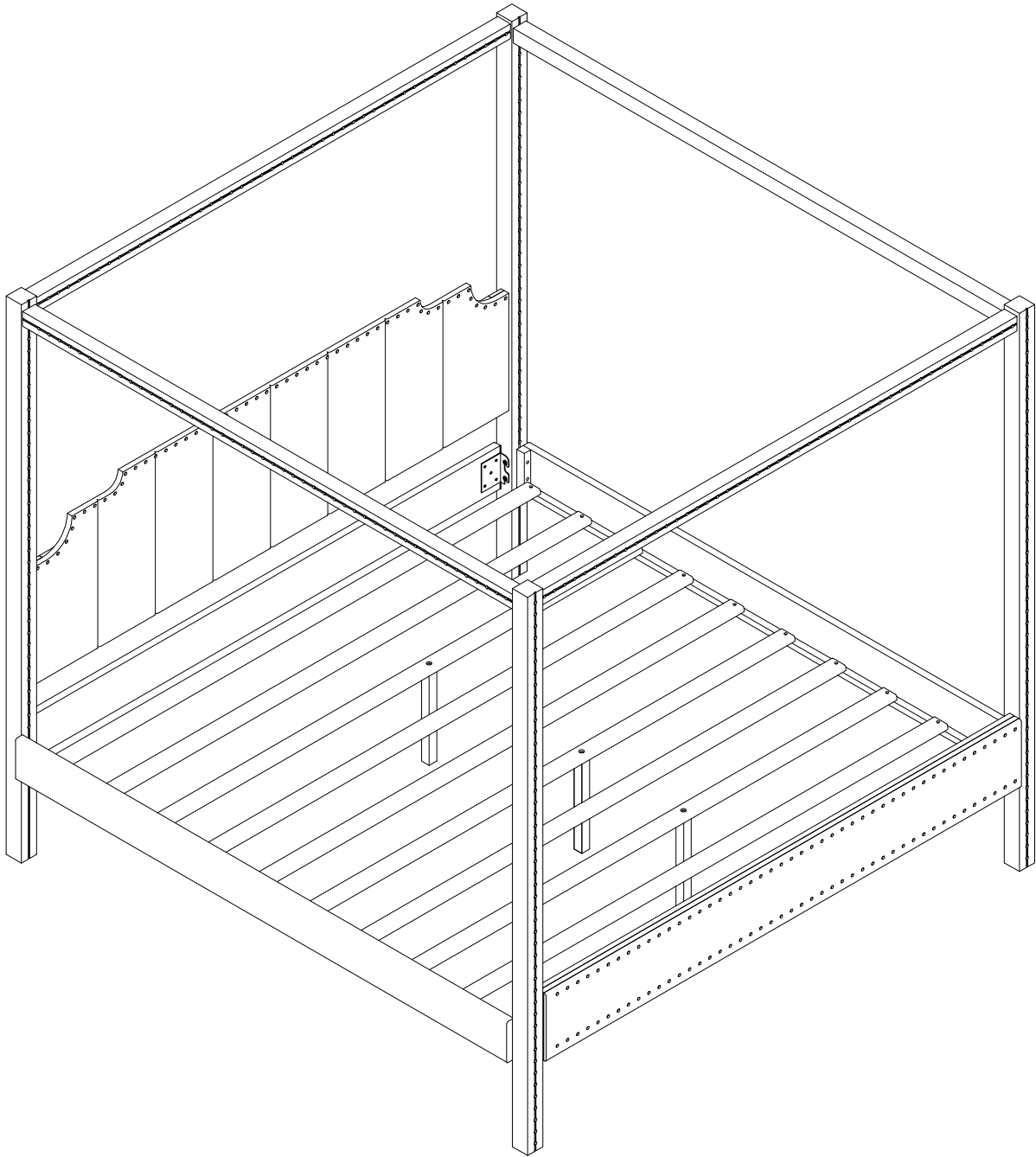


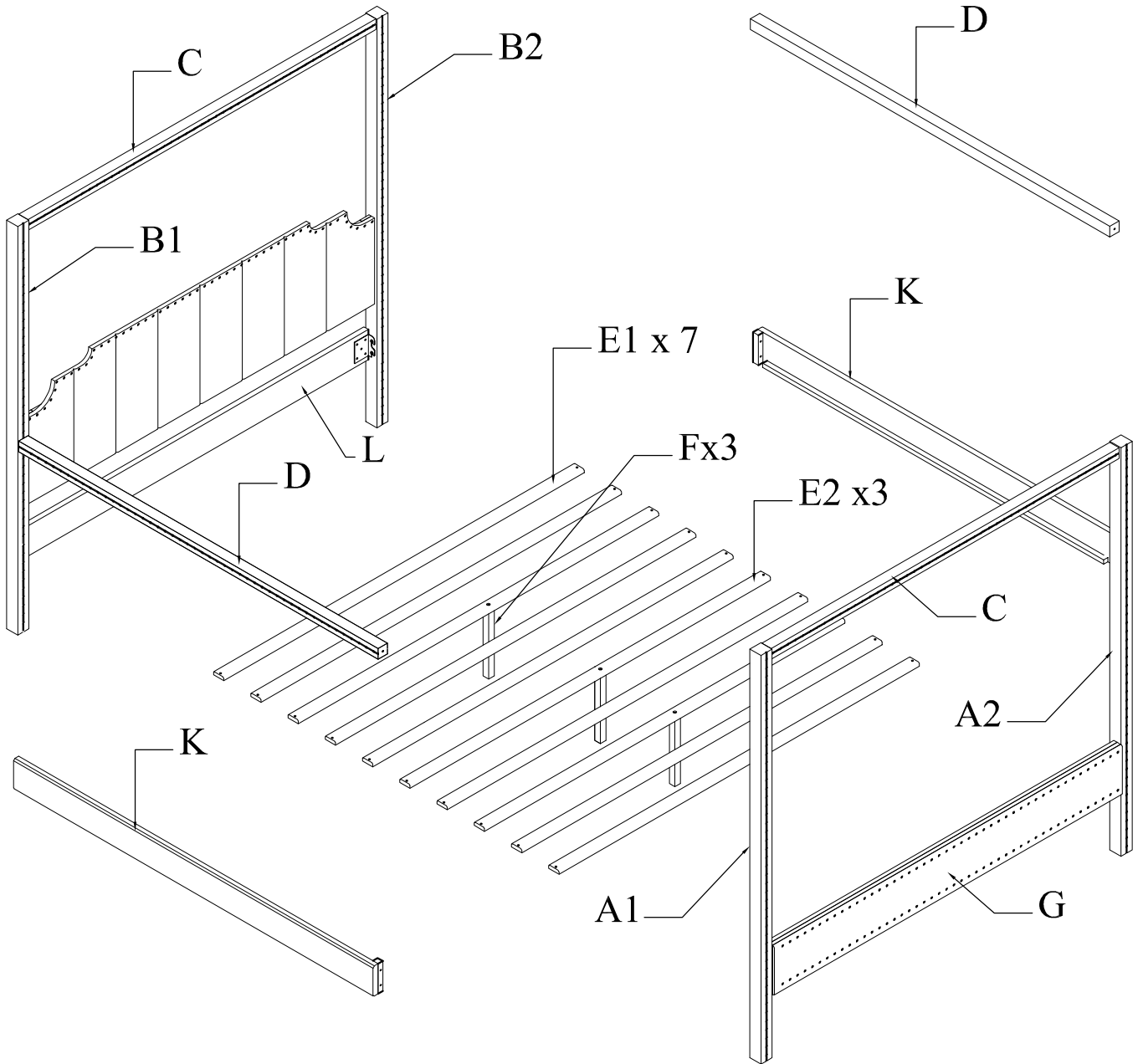
**ASSEMBLY INSTRUCTION**  
**SKU CODE: (WF290572AAE-WF290573AAE)**




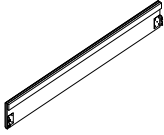
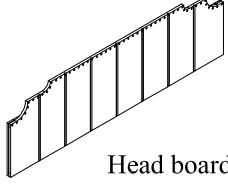
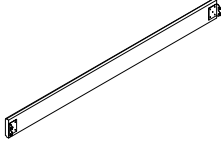
**! SAFETY WARNINGS !**

1. This bed is designed for use Queen Mattress 80 inch Long and 60 inch Wide
2. Always use the recommended size mattresses or mattress supports, or both, to help prevent the likelihood of entrapment or falls.
3. Do not allow horseplay on or under the bed and prohibit jumping on the bed
4. Do not use substitute parts. Contact the manufacturer or dealer for replacement parts.
5. Keep these instructions for future reference





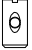


# ASSEMBLY INSTRUCTION



# Part List (WF290572)

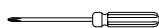
<p><b>F</b></p>  <p>Support Leg : 3 pcs</p>	<p><b>G</b></p>  <p>Foot board - panel : 1 pc</p>	<p><b>H</b></p>  <p>Head board - top panel : 1 pc</p>
<p><b>L</b></p>  <p>Head board - bottom panel : 1 pc</p>		

## Hardware List

<p><b>1</b></p>  <p>Ø1/4" x 25 mm Hex-Head bolts 11 pcs</p>	<p><b>2</b></p>  <p>Ø1/4" x 100 mm Hex-Head bolts 12 pcs</p>	<p><b>3</b></p>  <p>M6 x 15 mm Hex-Head bolts 8 pcs</p>
<p><b>4</b></p>  <p>Allen Key P4 1pc</p>	<p><b>5</b></p>  <p>Ø11.5 x 15 mm Crossing Nut : 4 pcs</p>	<p><b>6</b></p>  <p>M4 x 30 mm Wood Screws 20 pcs</p>
<p><b>7</b></p>  <p>Plastic Foot 4pcs</p>		

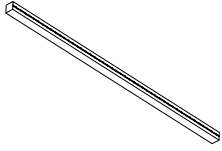
Assembly Tools Required (Not Included)

Screwdriver



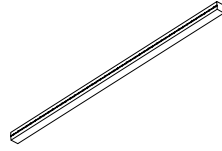
# Part List (WF290573)

A1



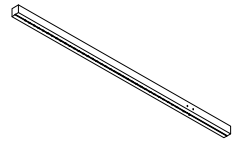
Foot board post - Left : 1 pc

A2



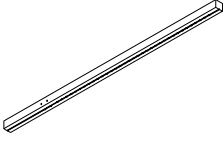
Foot board post - Right : 1 pc

B1



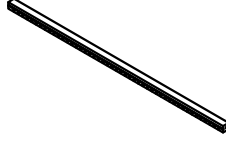
Head board post - Left : 1 pc

B2



Head board post - Right : 1 pc

C



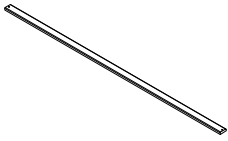
Post connector HB and FB : 2 pcs

D



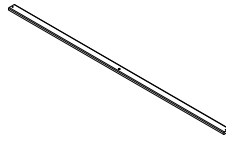
Post connector -Side rail : 2 pcs

E1



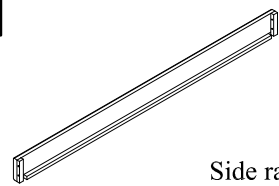
Slats : 7 pcs

E2



Slats : 3 pcs

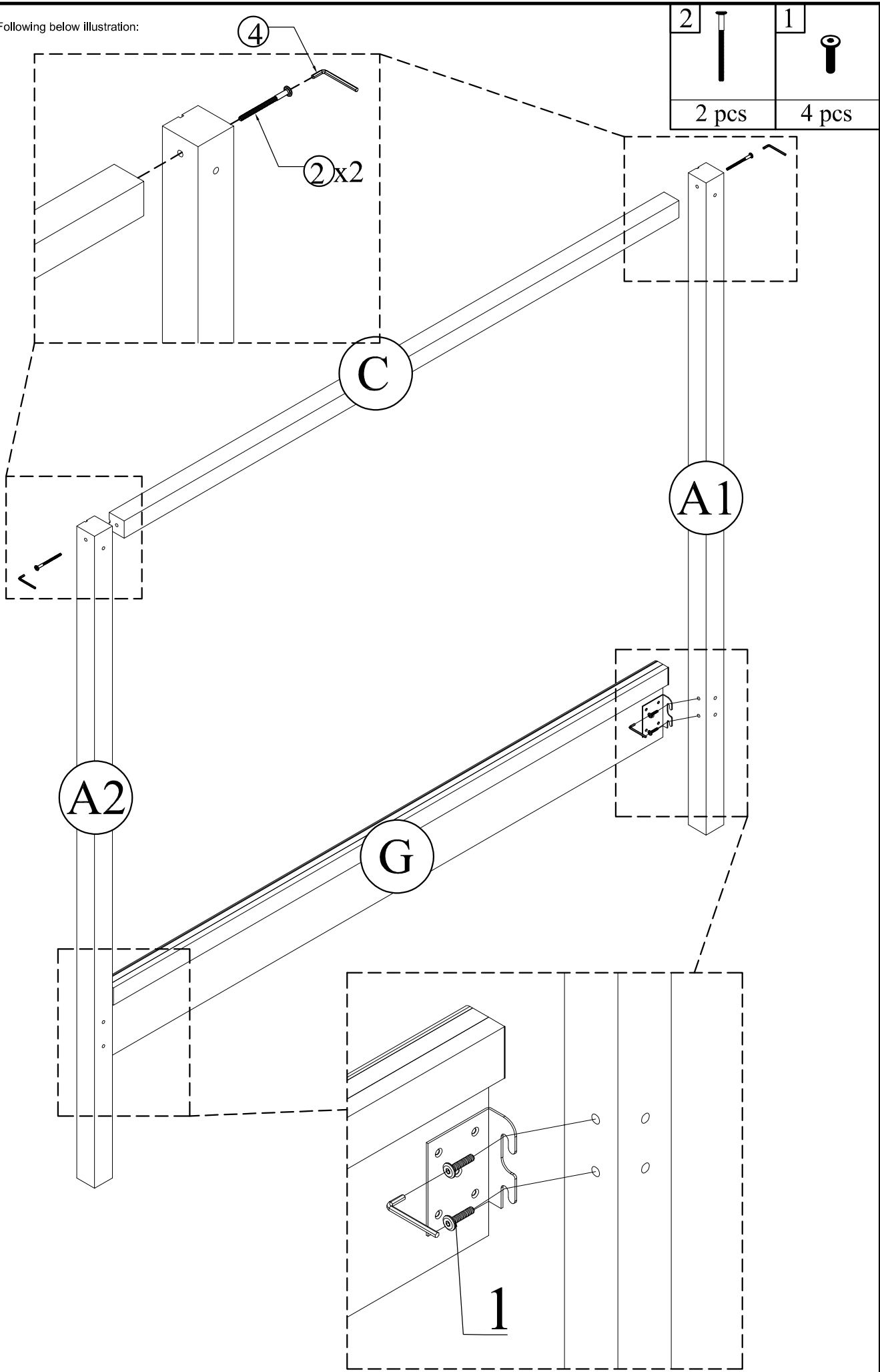
K



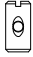

Side rail: 2 pcs

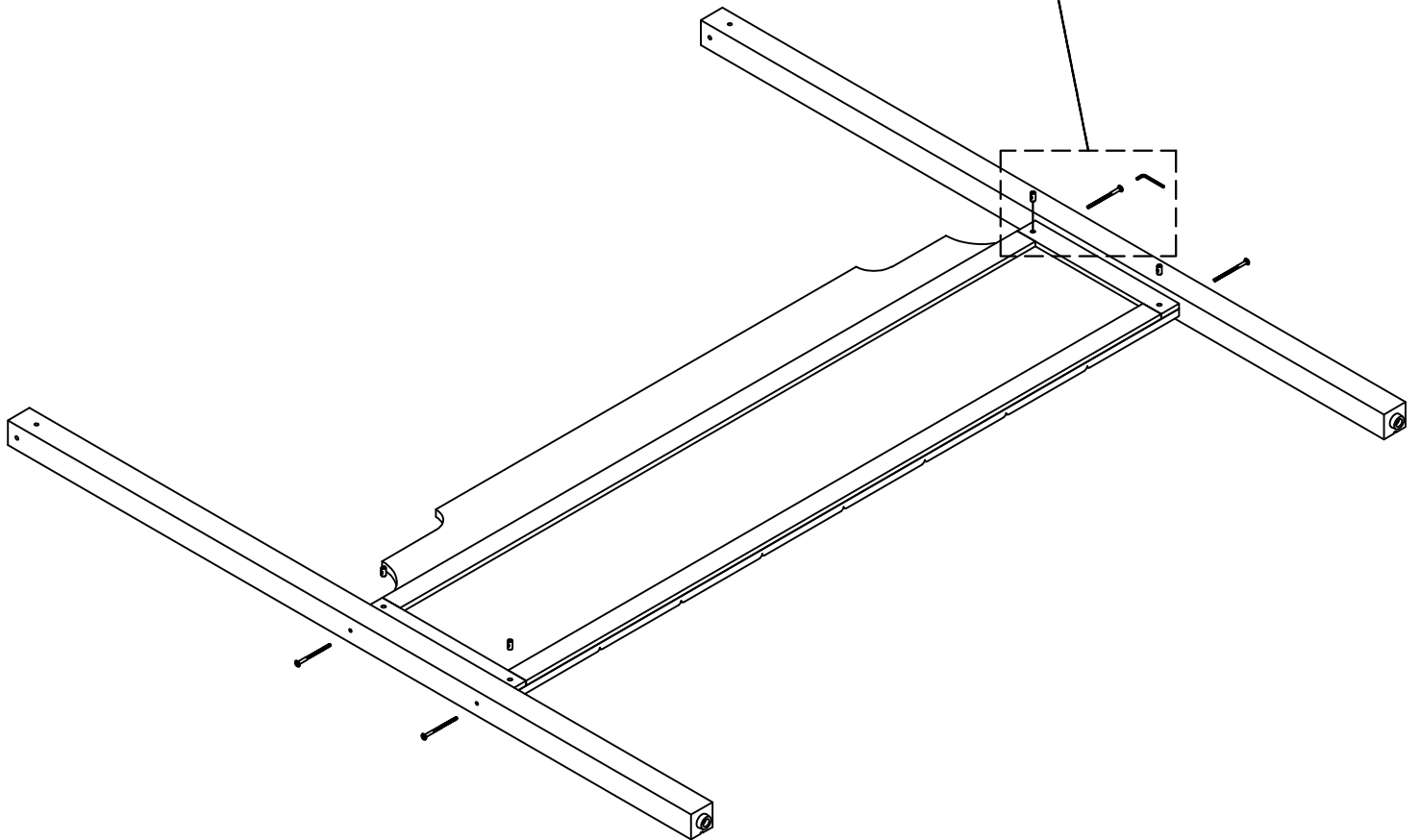
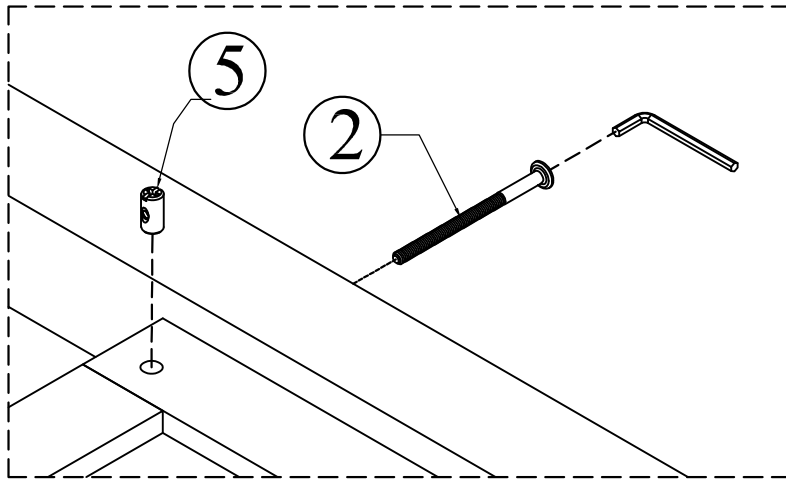


STEP 2: Following below illustration:





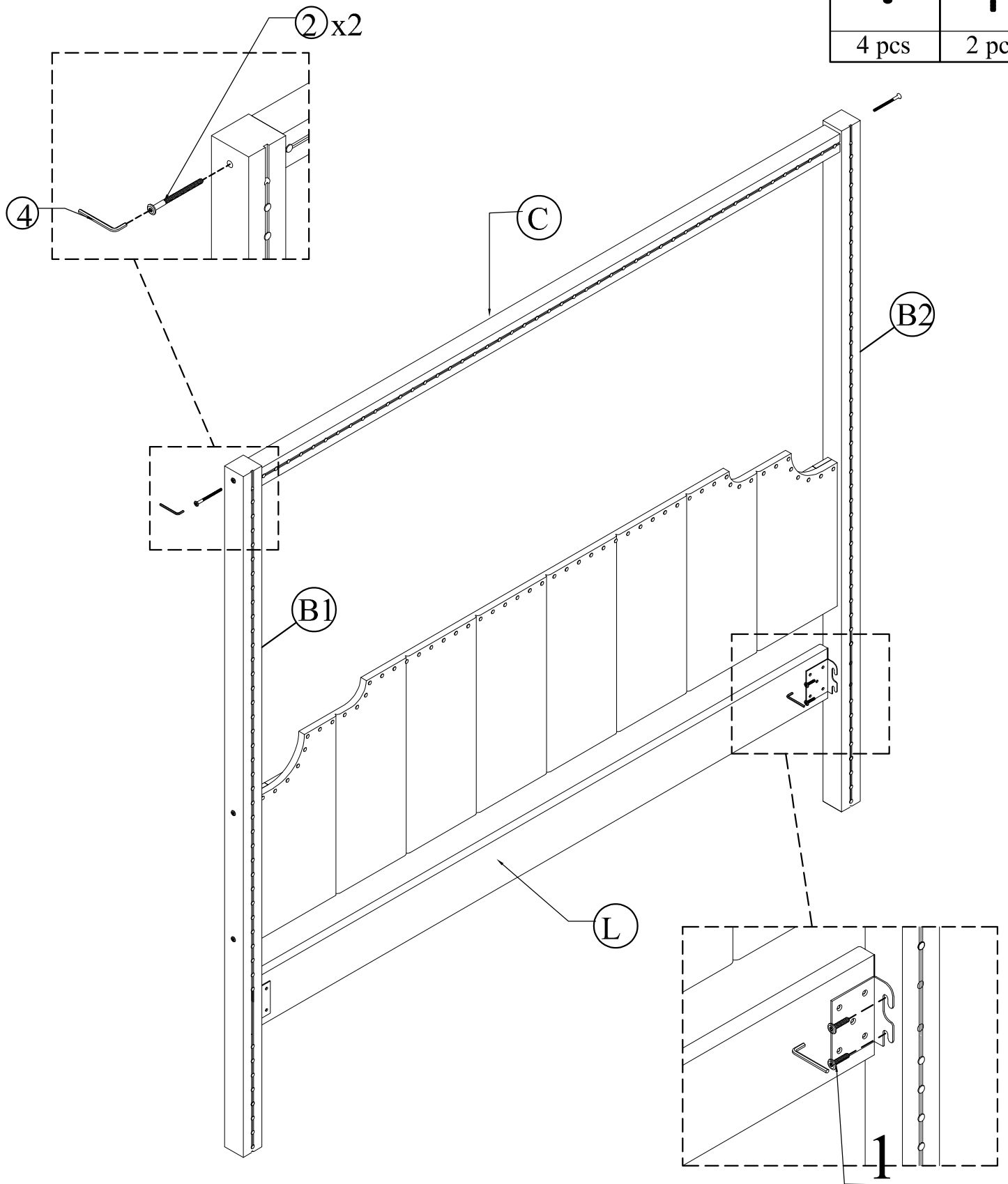
**STEP 3:** Following below illustration

5	2
	
4 pcs	4 pcs

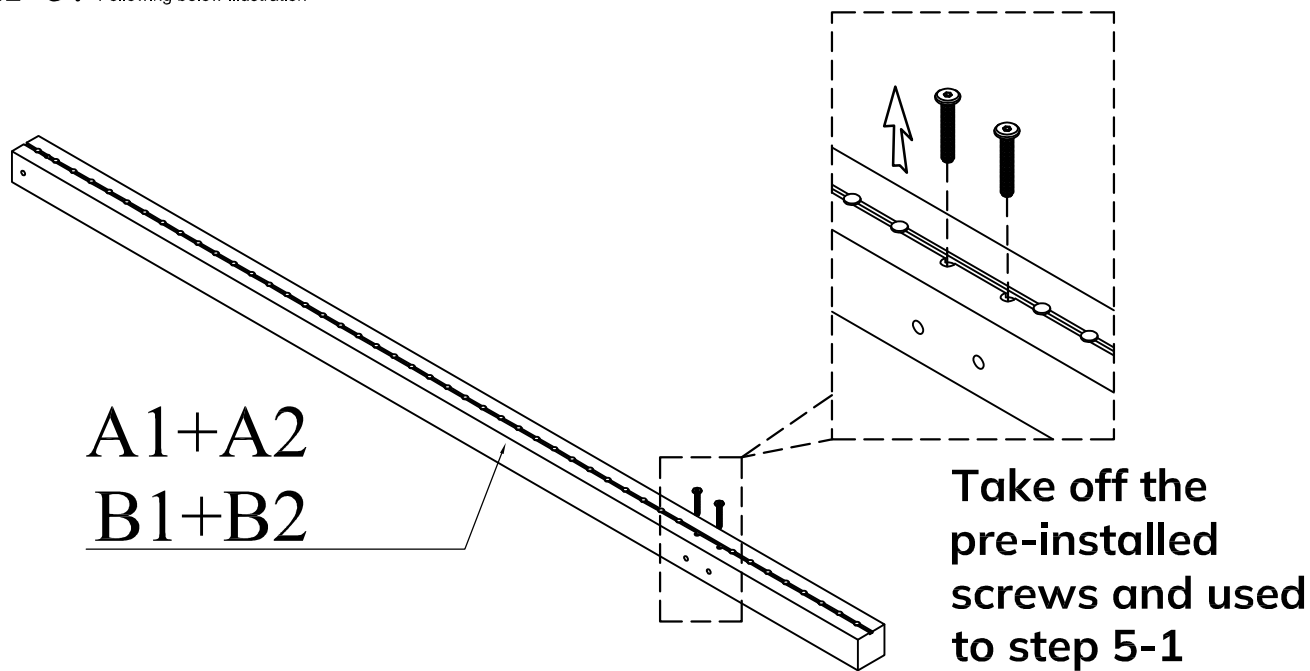


**STEP 4:** Following below illustration

1	2
	
4 pcs	2 pcs

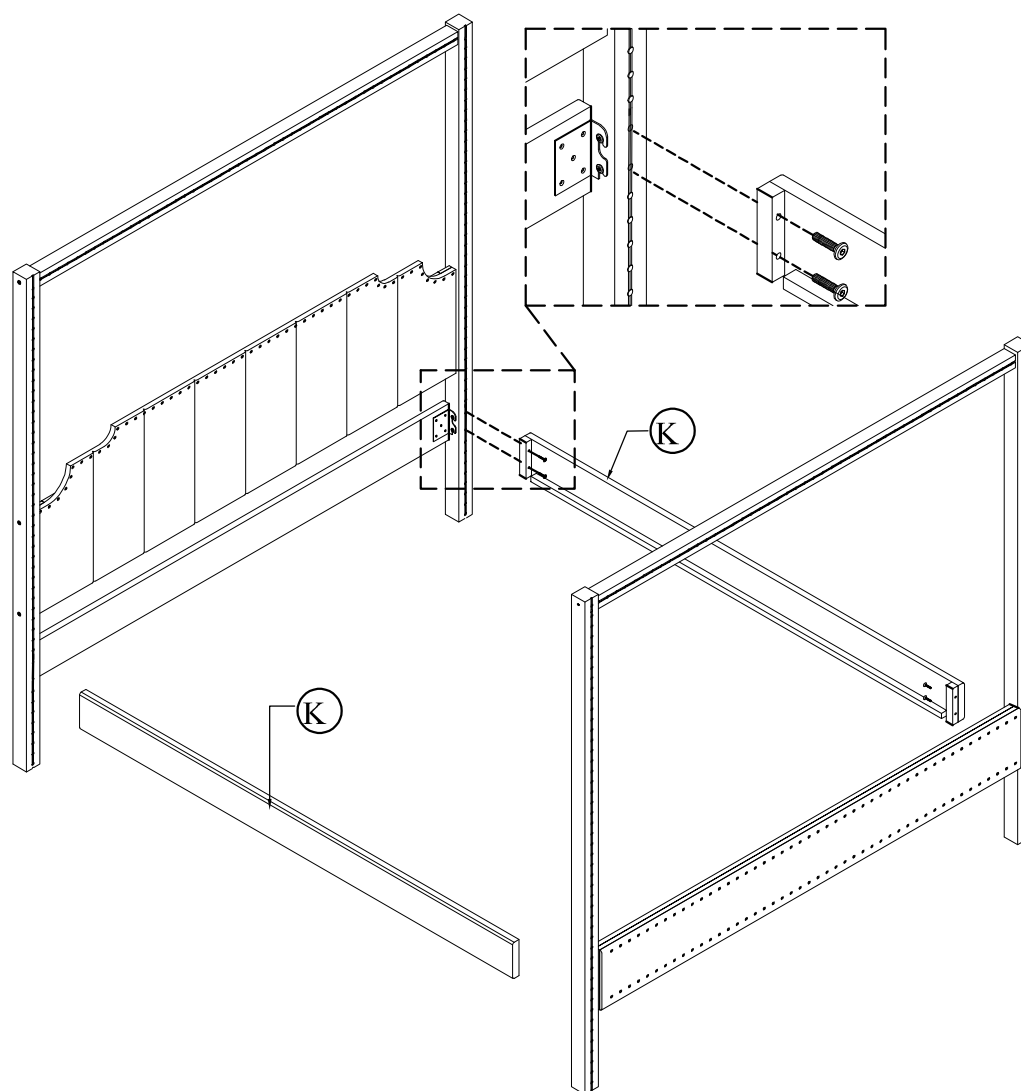


**STEP 5:** Following below illustration



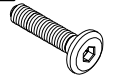
**STEP 5-1:** Following below illustration

**STEP WITH NEW PRODUCTS**



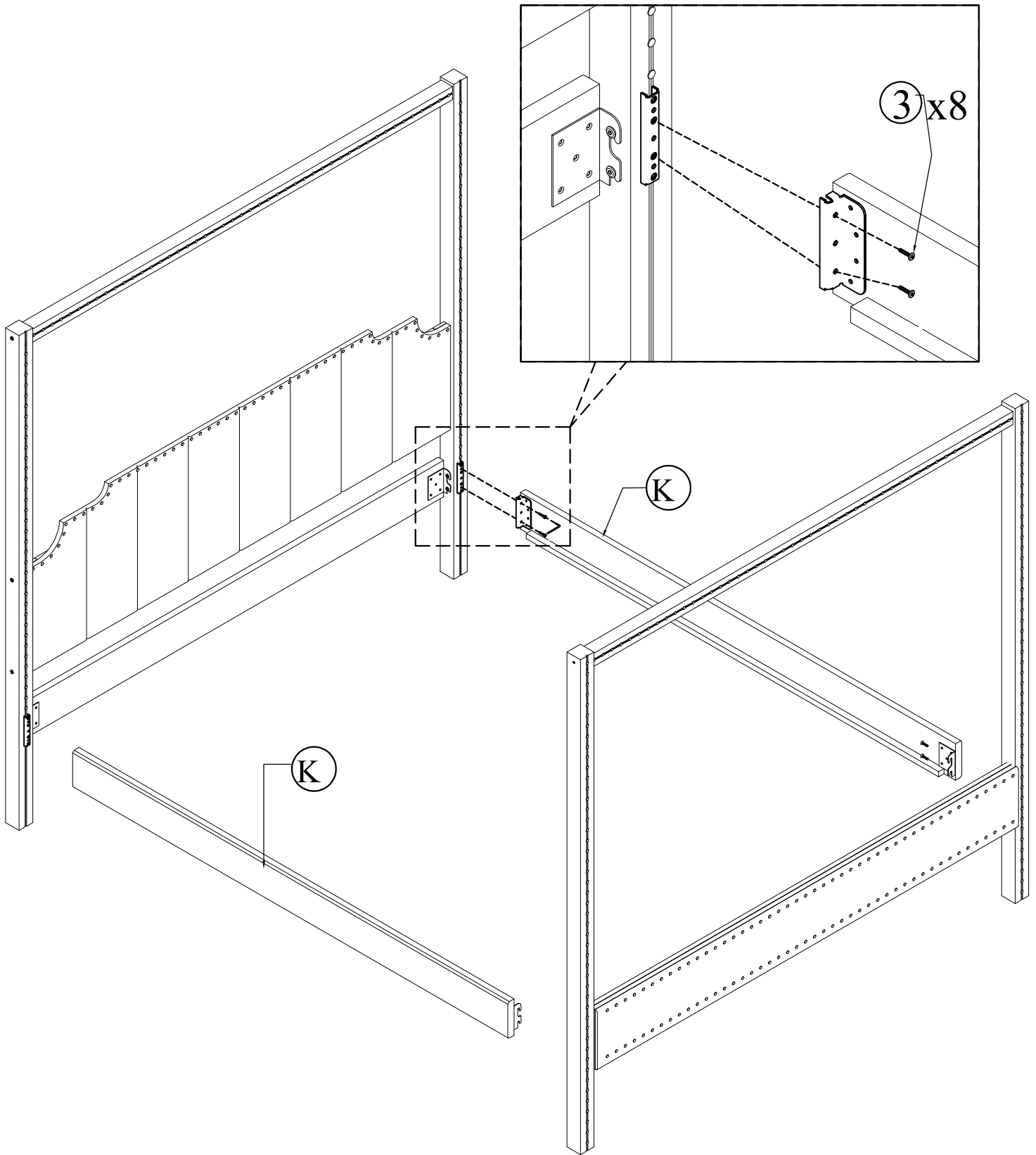
STEP 6: Following below illustration

3



8 pcs

# STEP WITH OLD PRODUCTS

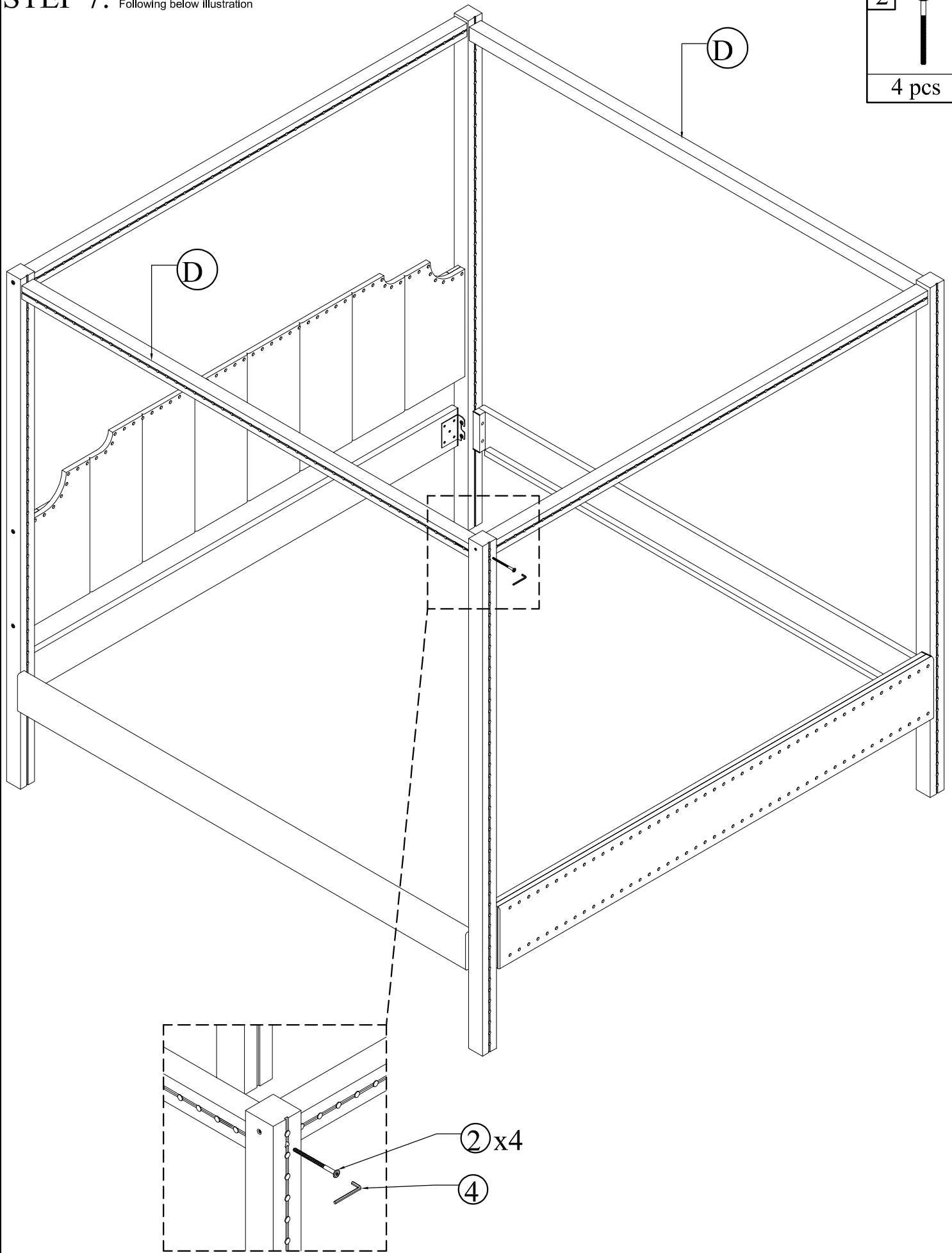


STEP 7: Following below illustration

2



4 pcs



STEP 8: Following below illustration

6

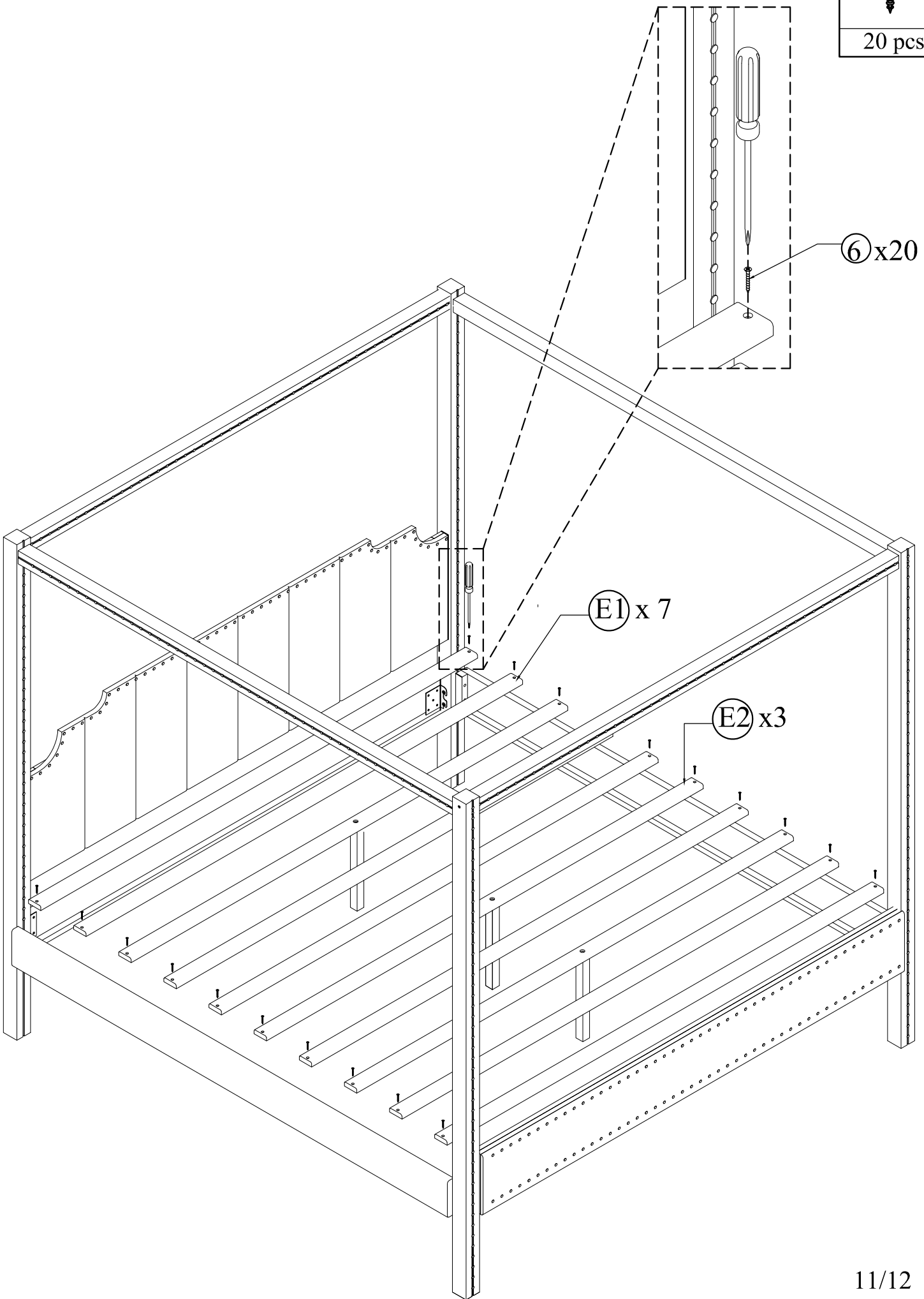


20 pcs

⑥ x20

①E1 x 7

①E2 x 3



FINISH

