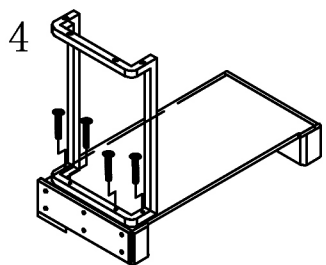
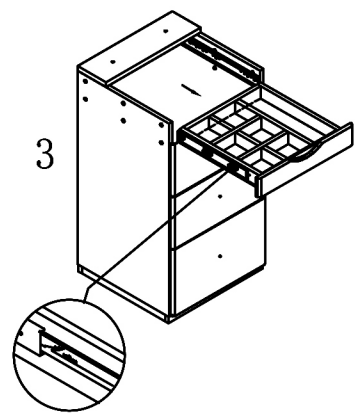


1. Mounting Stand



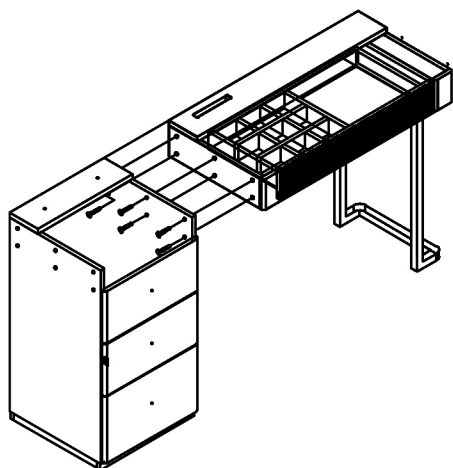
B	4

2. Pull out the drawer on the secondary cabinet



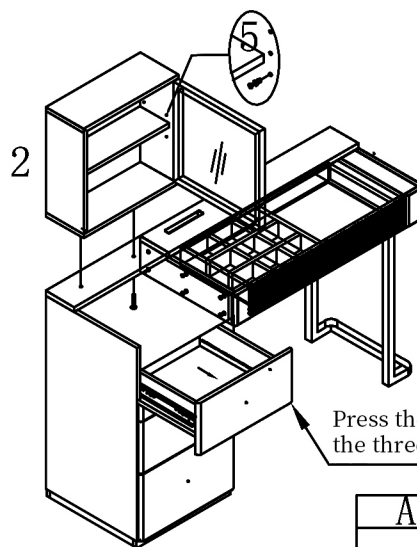
Press the catch to pull out the upper drawer

3. Main Cabinet to Sub-Cabinet



A	6

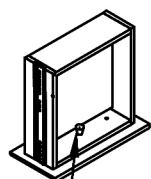
4. Installation of upper cabinets for sub-cabinets



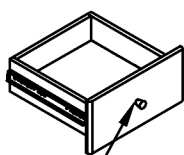
Press the catches to pull out the three drawers

A	2	C	4

5. Reverse the drawer pulls

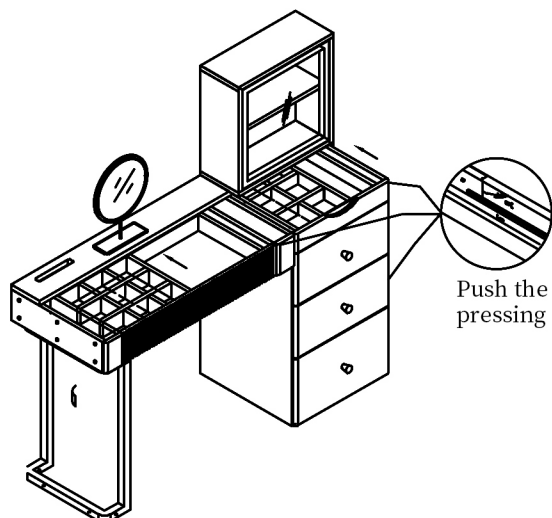


Remove the handle



Reverse the pulls and install them

6. Push the drawer into the cabinet



Push the drawer in by pressing the catch

Note: The main cabinet and sub-cabinet are interchangeable.