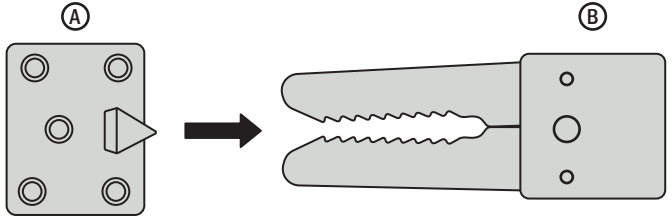


Alligator Clips (2pcs)

Part (A)

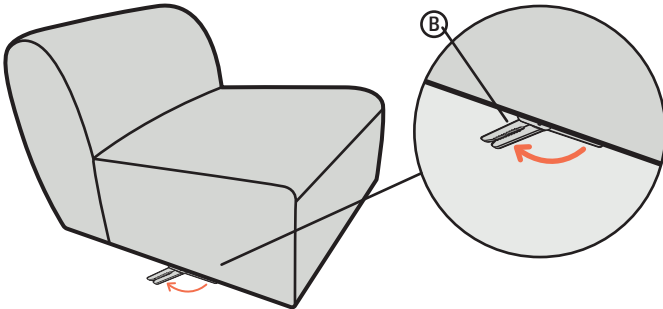
Part (B)

*Upper View of mechanism



① On each furniture, locate mechanism
Parts (A) and (B)

② Pull out the (B) mechanism



③ Push both alligator clips together
until Part (A) inserts into part (B)
and the mechanism creaks

