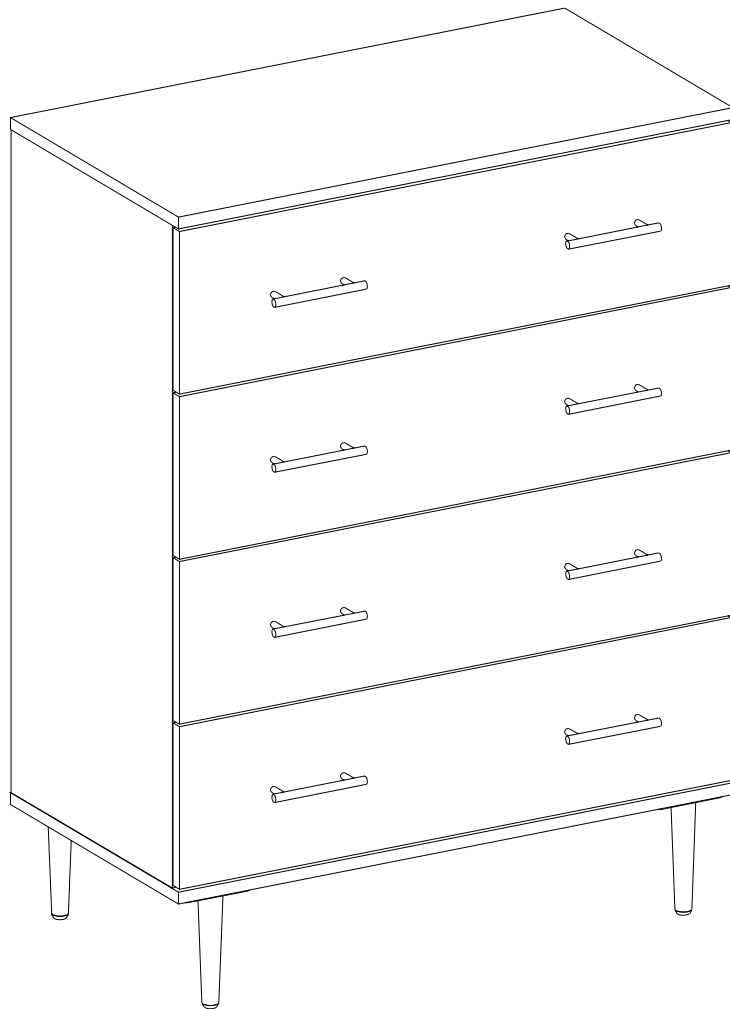


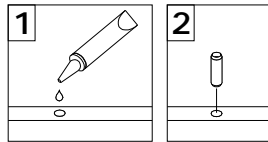
# Assembly Instructions



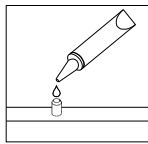
*Please visit our website for the most current instructions, assembly tips, report damage, or request parts.*

# General Assembly Guidelines

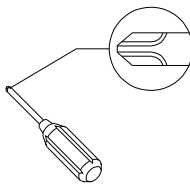
- I. Ensure that all parts and hardware are available before beginning assembly.
- II. Follow each step carefully to ensure the proper assembly of this product.
- III. Two people are recommended for ease in the assembly of this product.
- IV. The three main types of hardware used to assemble this product are: wood dowels, screws and bolts.
- V. The provided glue is to secure wood dowels in place. When first inserting dowels, locate the appropriate hole for the dowel, place a small amount of glue in the hole and insert the dowel. Wipe away excess glue immediately.



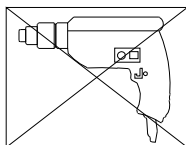
In future assembly steps when dowels are necessary to attach assembly parts together, place a small amount of glue on the end of the dowel before attaching parts together. Wipe away excess glue immediately.



- VI. A Phillips head screwdriver is required for the assembly of this product .

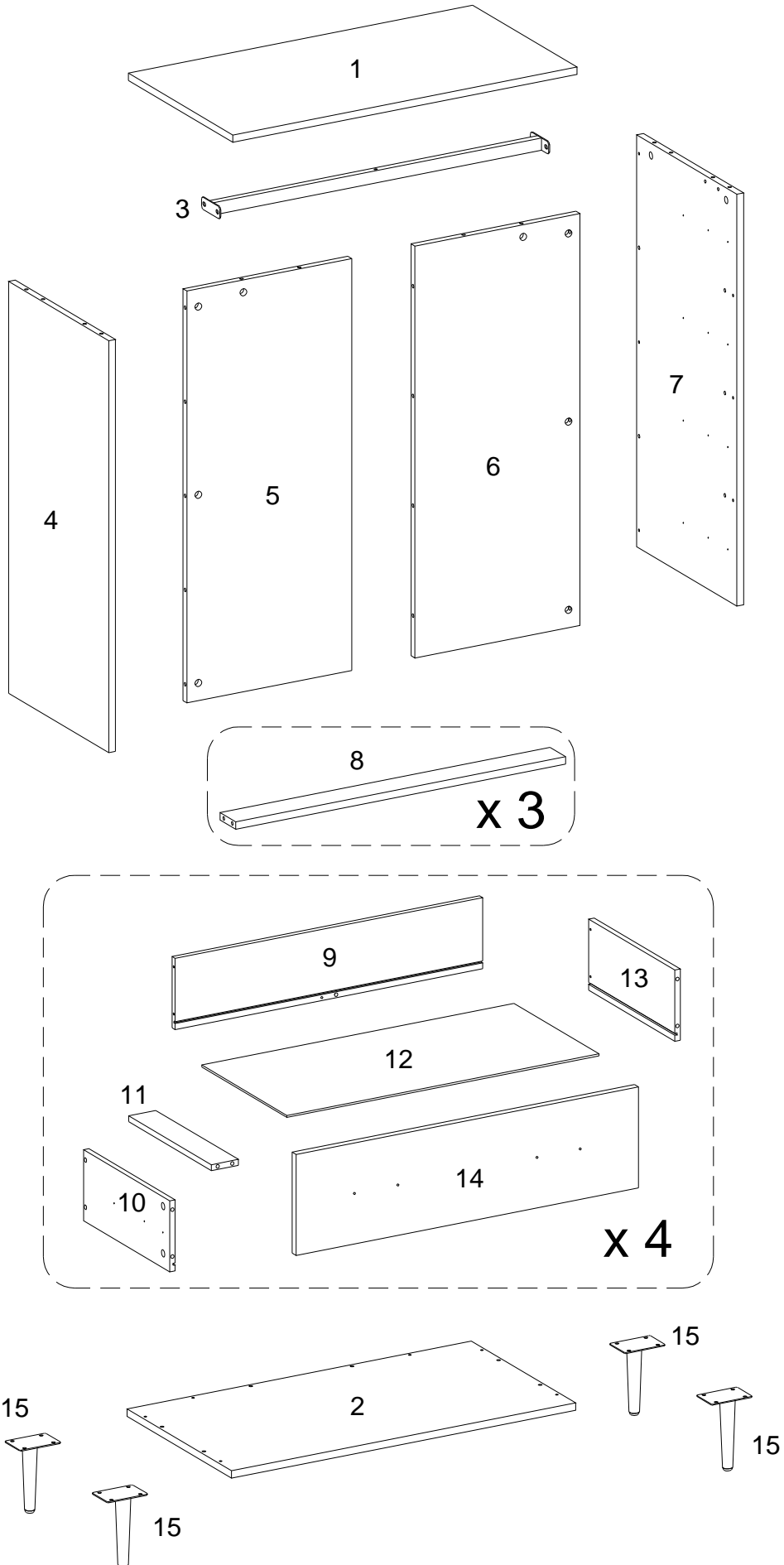


- VII. Power tools should not be used to assemble this product.


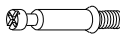



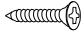
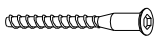
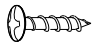



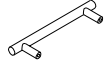


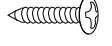


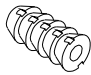





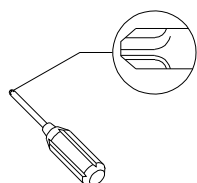
- VIII. Drill may be needed for securing product to wall.

# Parts List



# Hardware List

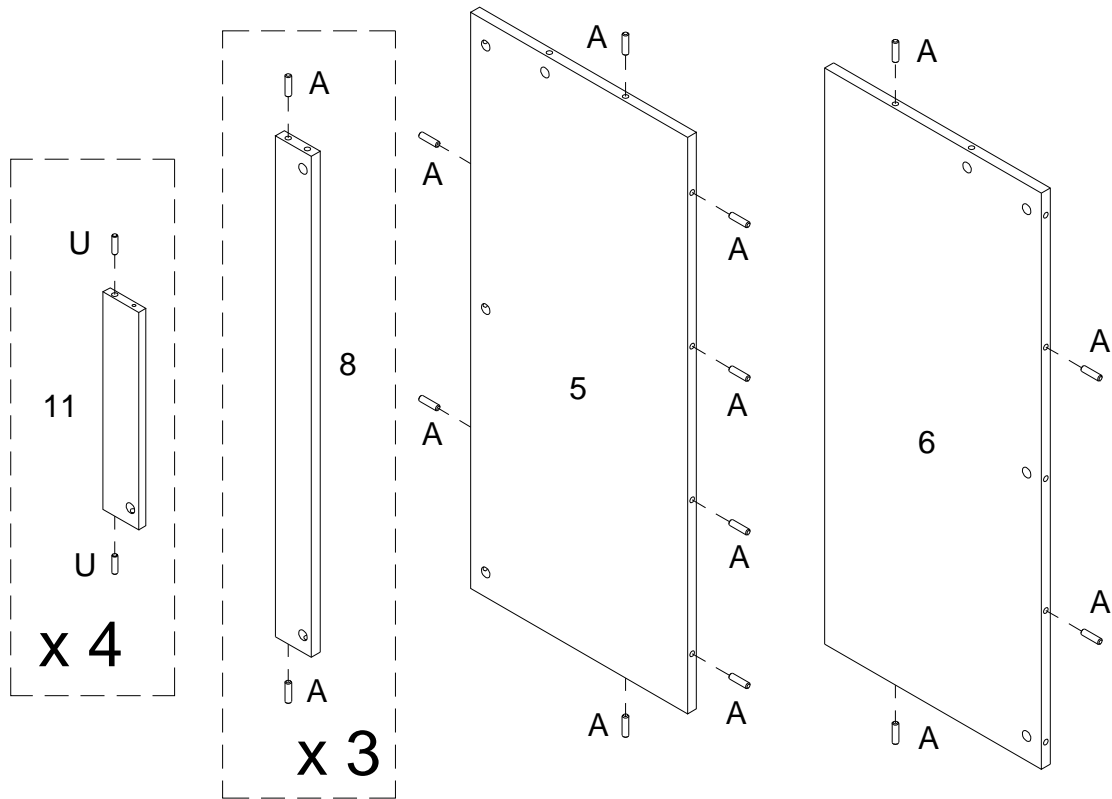
A		Ø8x30mm	Wooden dowel	26	pcs
B		Ø6x35mm	Cam bolt	38	pcs
C		Ø15x11mm	Cam lock	18	pcs
D		Ø15x9mm	Cam lock	20	pcs
E		Ø30mm	Sticker	38	pcs
F		Ø3x12mm	Screw	48	pcs
G		Ø6x50mm	Screw	6	pcs
H		Ø5x15mm	Screw	4	pcs
J		Ø6x35mm	Bolt	1	pc
K		Ø6x12mm	Bolt	16	pcs
L		M 4	Hex key	1	pc
M			Handle	8	pcs
N		Ø4x22mm	Handle Bolt	16	pcs
P		Ø4x38mm	Screw	20	pcs
Q		Ø4x12mm	Screw	1	pc
R		Ø4x25mm	Screw	1	pc
S			Plastic strap	1	pc
T			Nut	1	pc
U		Ø6x30mm	Wooden dowel	8	pcs
V		10"	Drawer slider	4	sets
W			Glue tube	2	pcs



Philips head screwdriver required for assembly  
(not included)

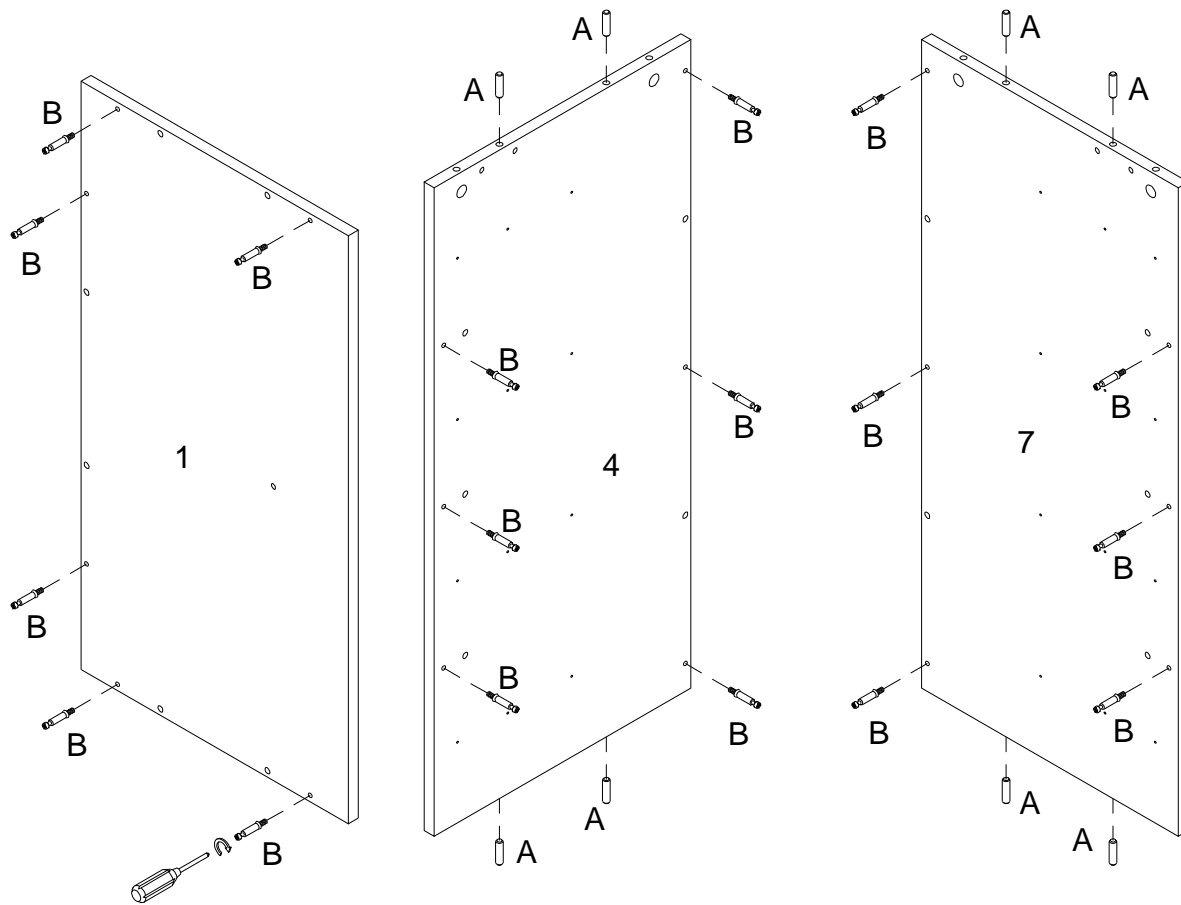
*The hardware quantities listed above are required for proper assembly.  
Some extra hardware may also have been included.*

# Step 1



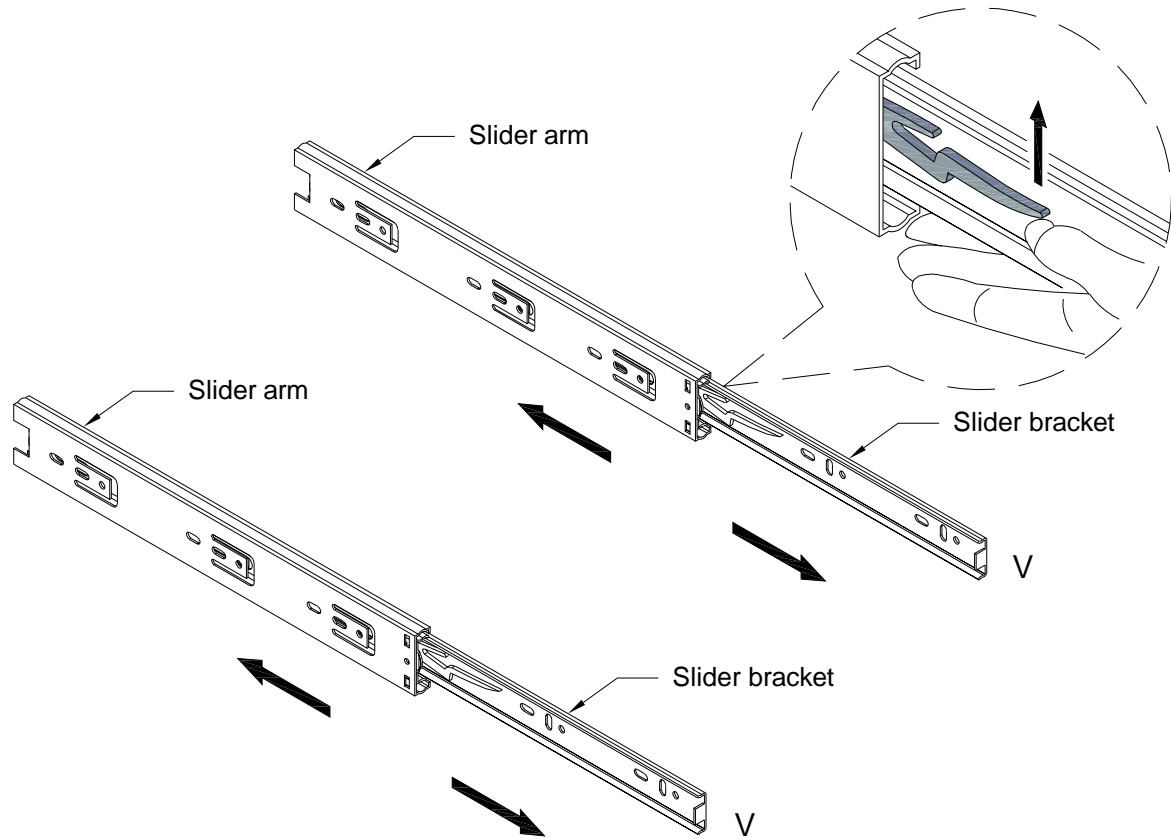
Insert wooden dowel (A) into parts (5,6,8) and wooden dowel (U) into part (11) as per diagram.

# Step 2



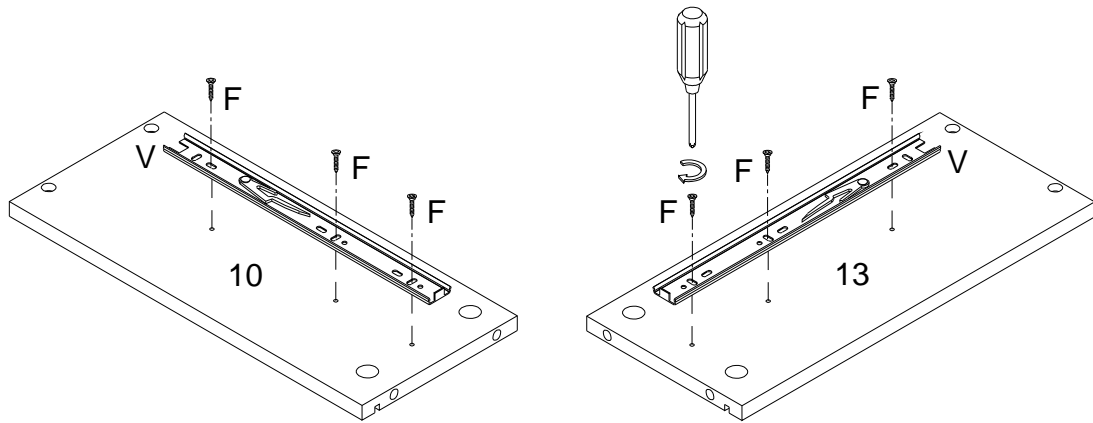
Insert wooden dowel (A) into parts (4,7), then secure cam bolt (B) into parts (1,4,7) with Philips head screwdriver as per diagram.

# Step 3



Pick up the slider arm (V) and separate the slide runner for the following Steps. Extend the slide runner all the way forward, press the plastic release lever of the slider arm up and pull the slide runner complete out .

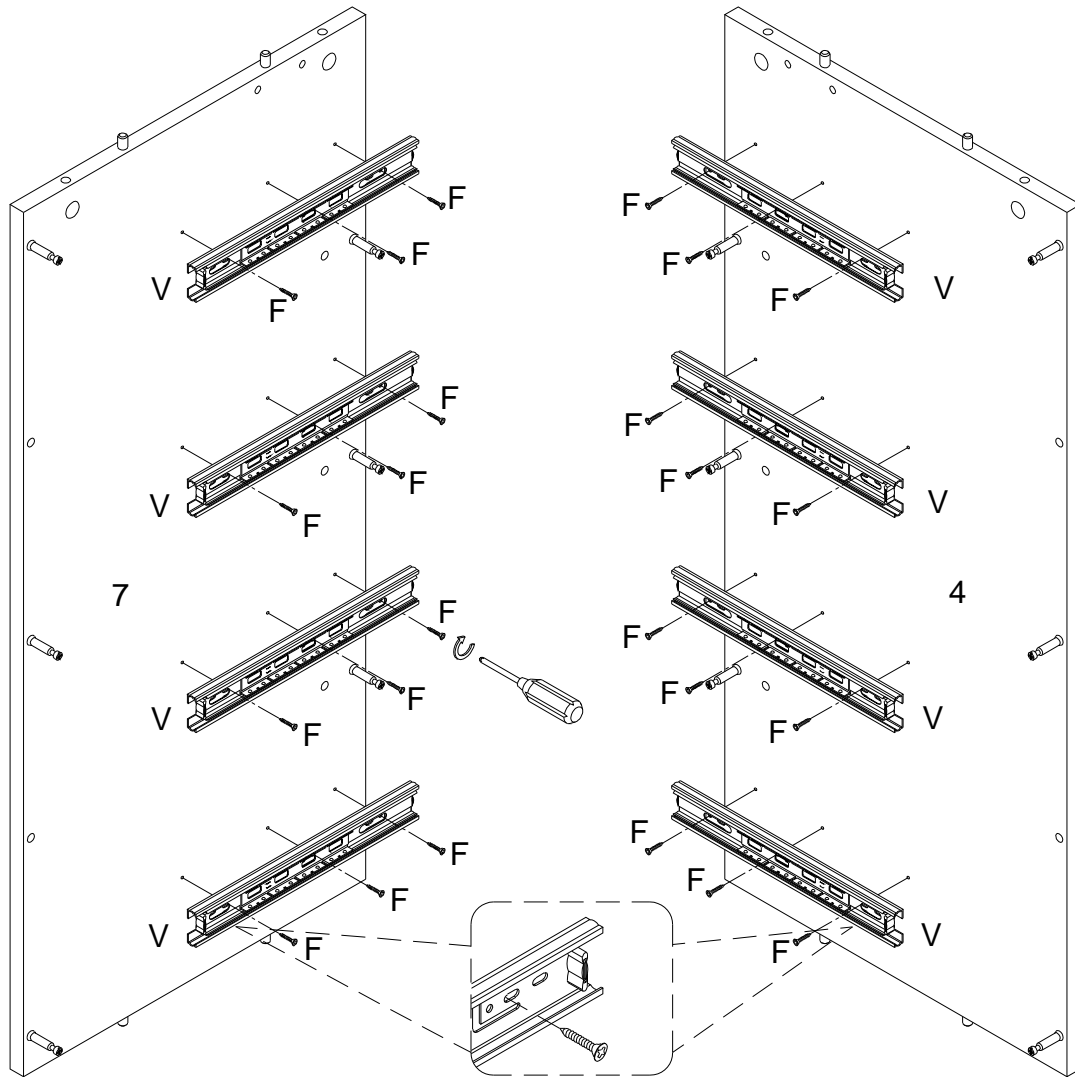
# Step 4



x 4

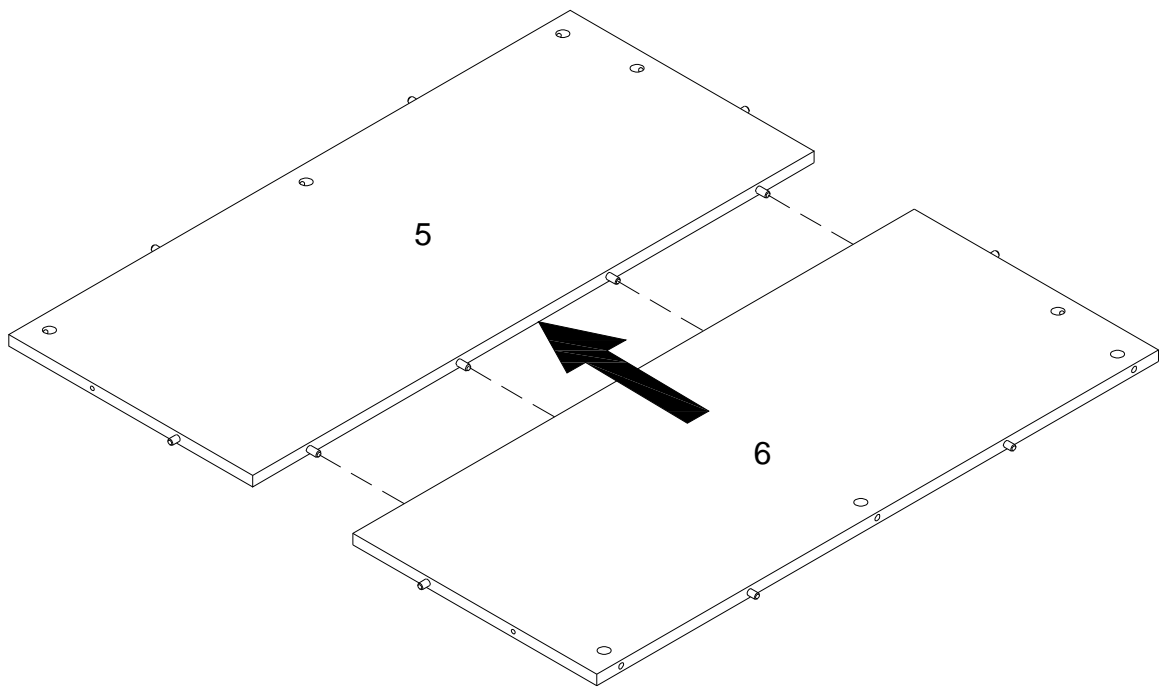
Using screw (F) attach drawer slider (V) into parts (10,13) with Philips head screwdriver as per diagram.

# Step 5



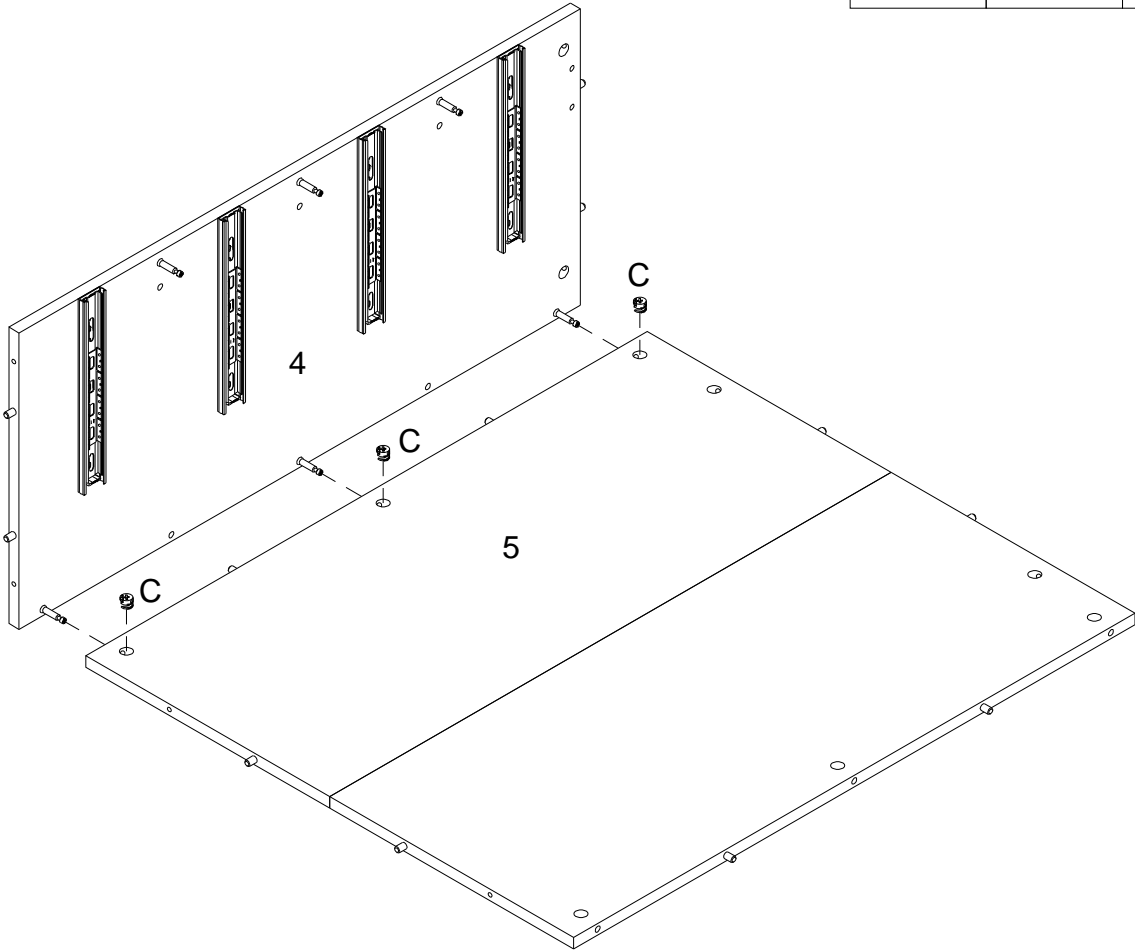
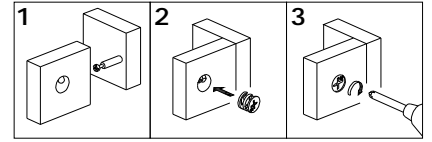
Using screw (F) attach drawer slider (V) into parts (4,7) with Philips head screwdriver as per diagram.

# Step 6



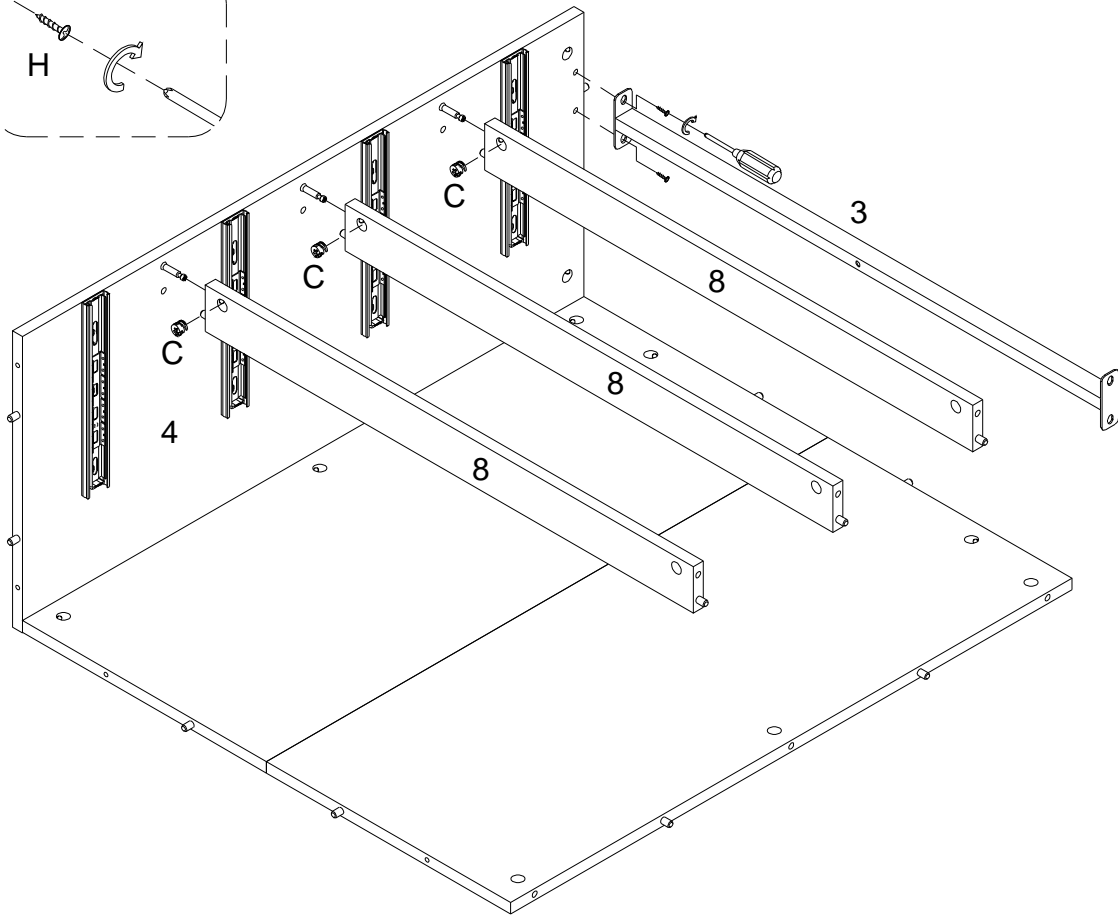
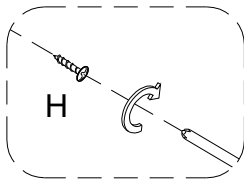
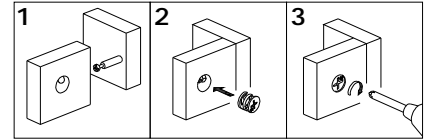
Attach part (6) to part (5) as per diagram.

# Step 7



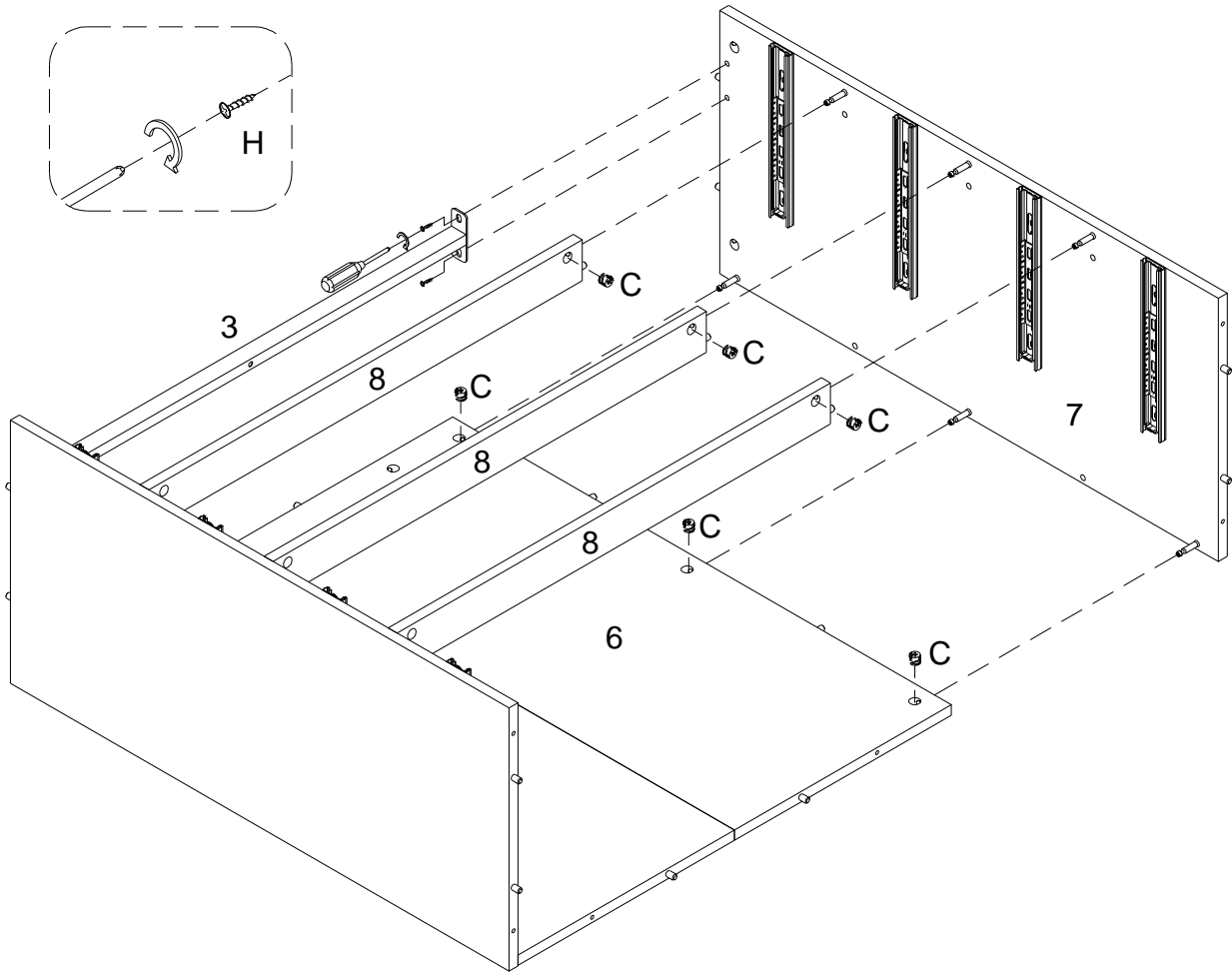
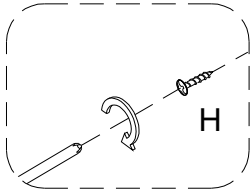
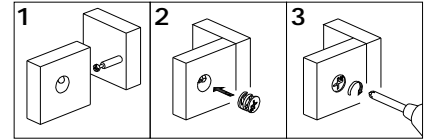
Using Cam lock(C) secure part (5) to part (4) with Philips head screwdriver as per diagram.

# Step 8



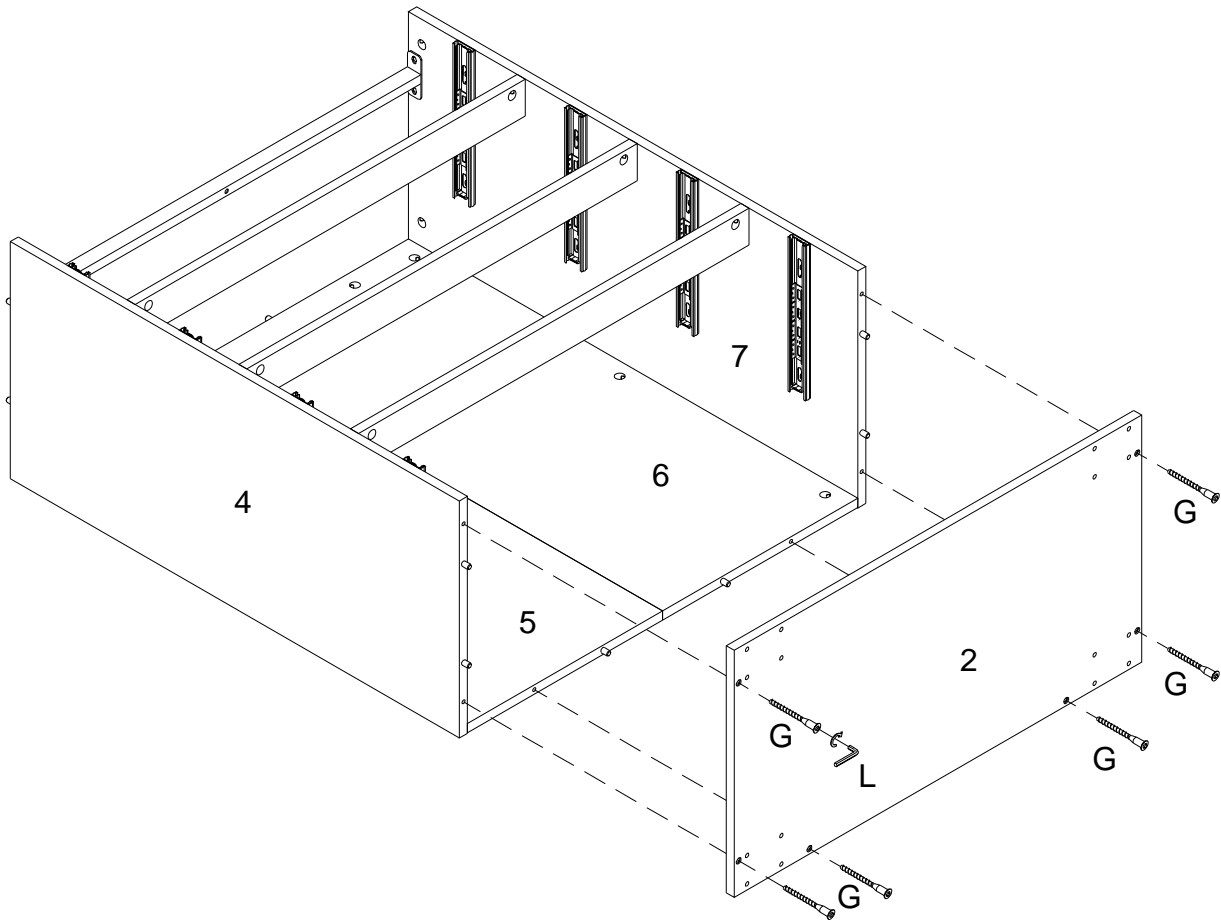
Using Cam lock(C) secure part (8) to part (4) ,then using screw (H) attach part (3) to part (4) with Philips head screwdriver as per diagram.

# Step 9



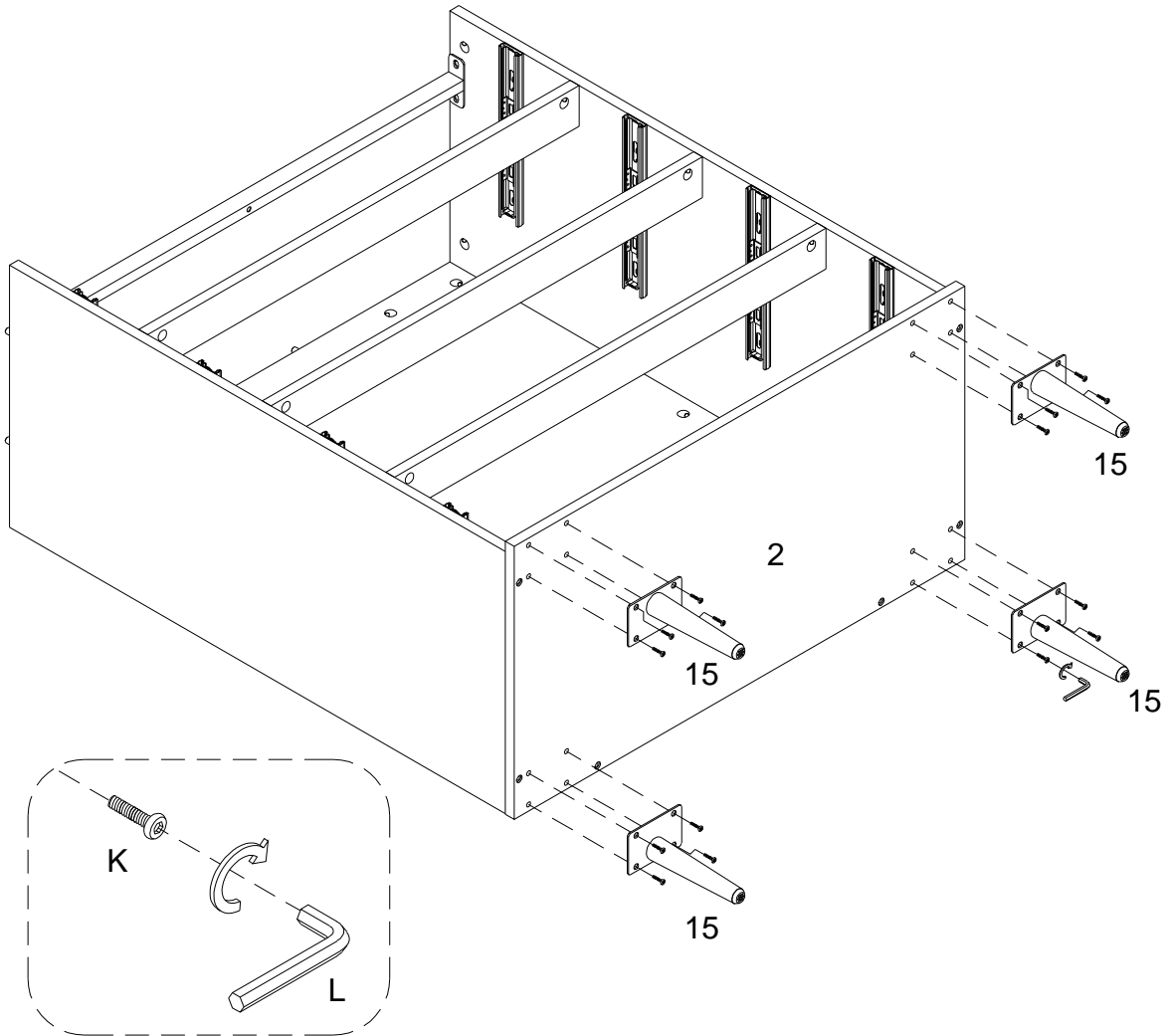
Using Cam lock(C) secure parts (6,8) to part (7) ,then using screw (H) attach part (3) to part (7) with Philips head screwdriver as per diagram.

# Step 10



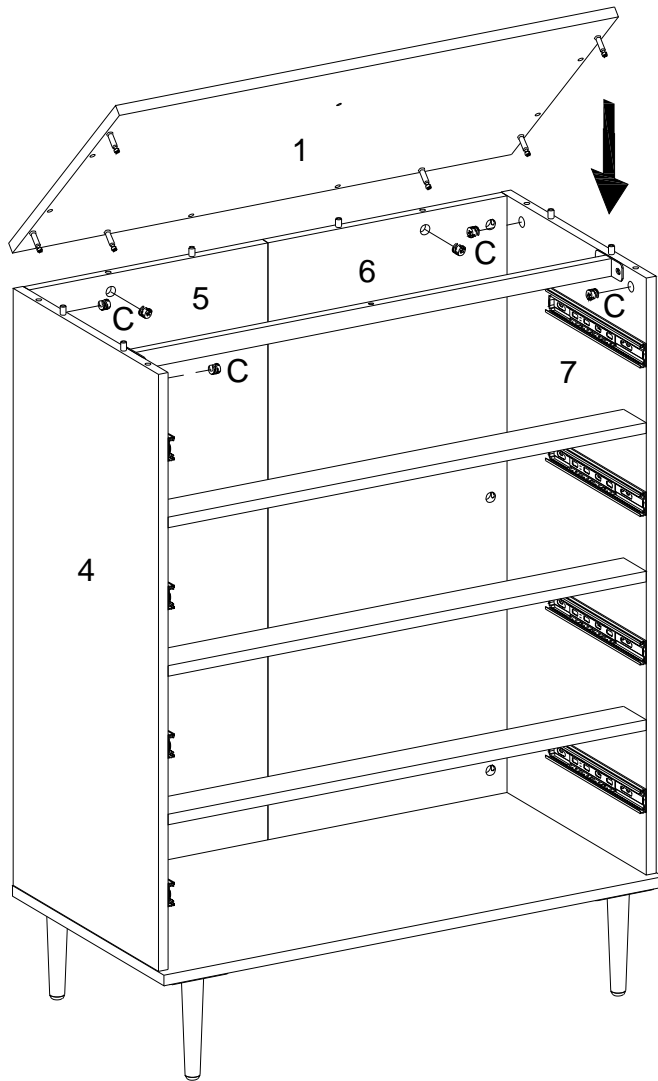
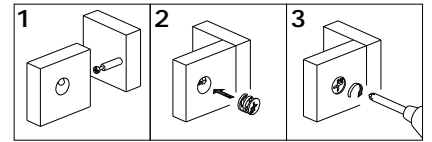
Using screw (G) attach part (2) to parts (4,5,6,7) with Hex key (L) as per diagram.

# Step 11



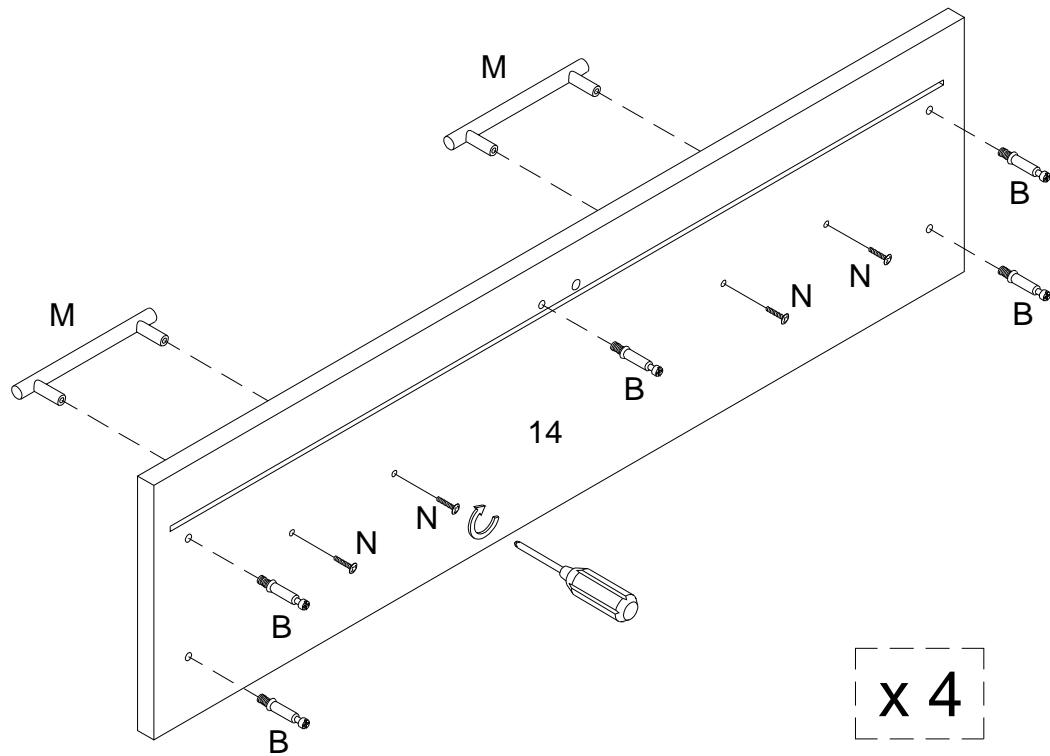
Using bolt (K) attach part (15) to part (2) with Hex key (L) as per diagram.

# Step 12



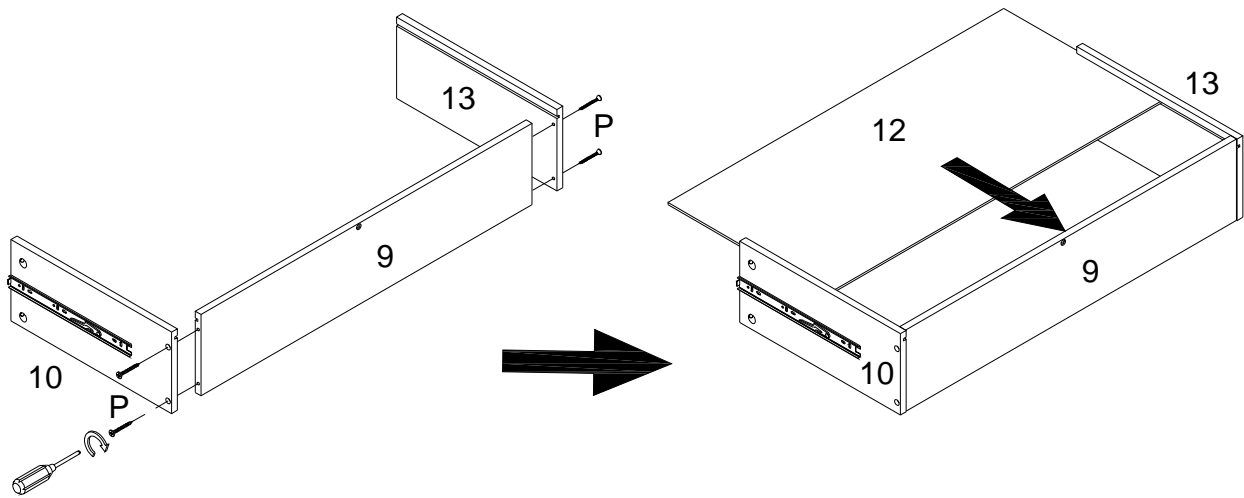
Using cam lock (C) secure part (1) into parts (4,5,6,7) with Philips head screwdriver ,then using bolt (J) attach part (3) to part (1) with Hex key (L) as per diagram.

# Step 13



Secure cam bolt (B) into part (14) ,then using handle bolt (N) secure handle (M) to part (14) with Philips head screwdriver as per diagram.

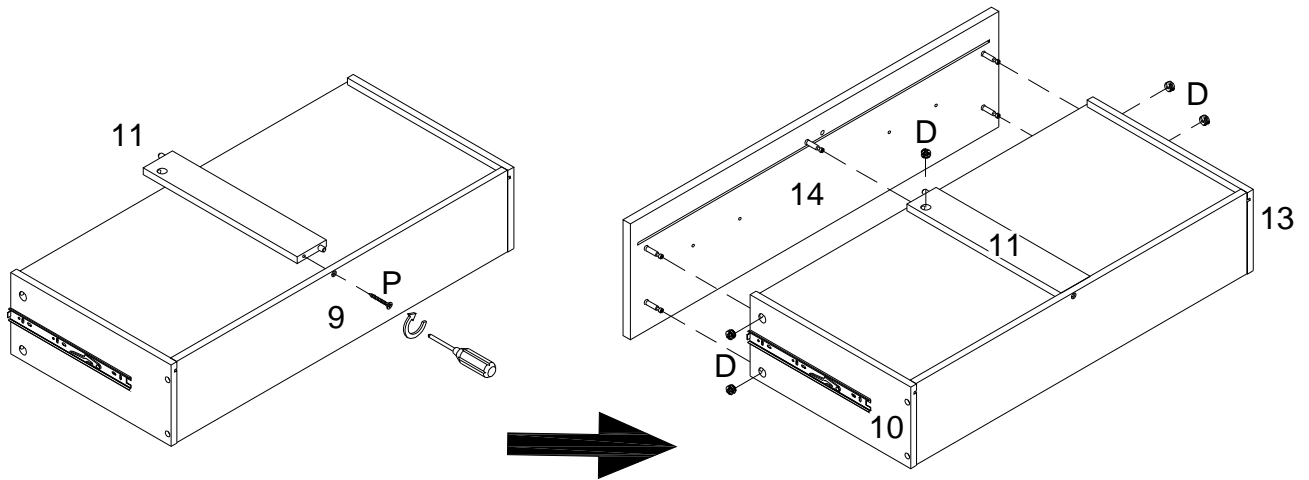
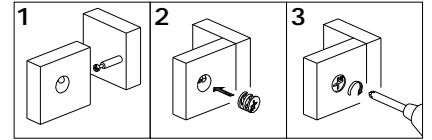
# Step 14



x 4

Using screw (P) attach parts (10,13) to part (9) with Philips head screwdriver, then put part (12) as per diagram.

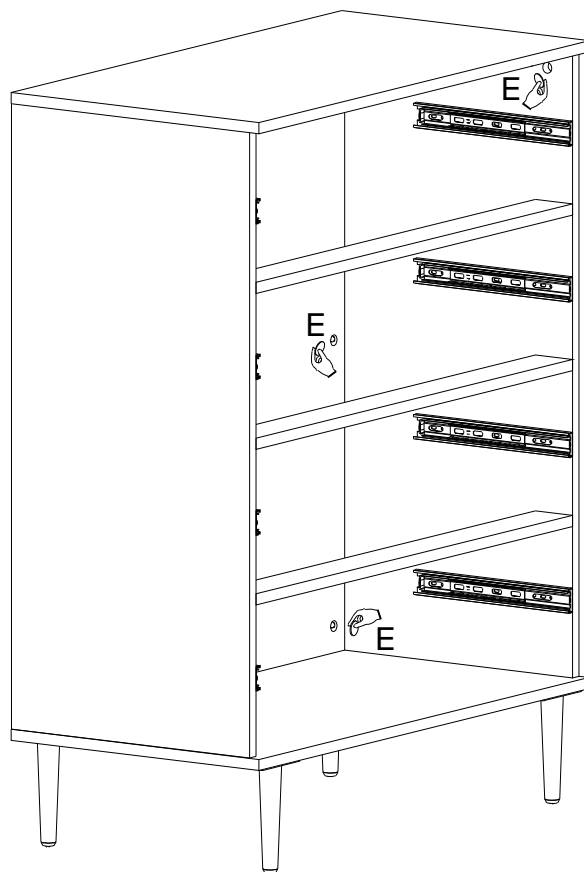
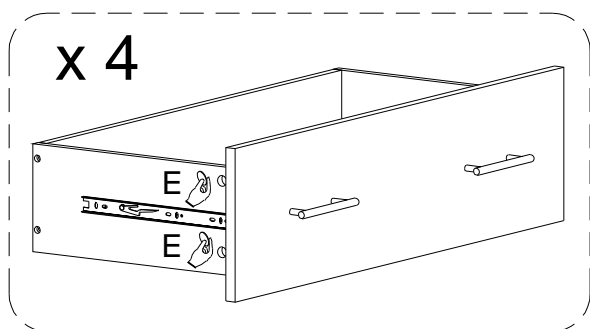
# Step 15



x 4

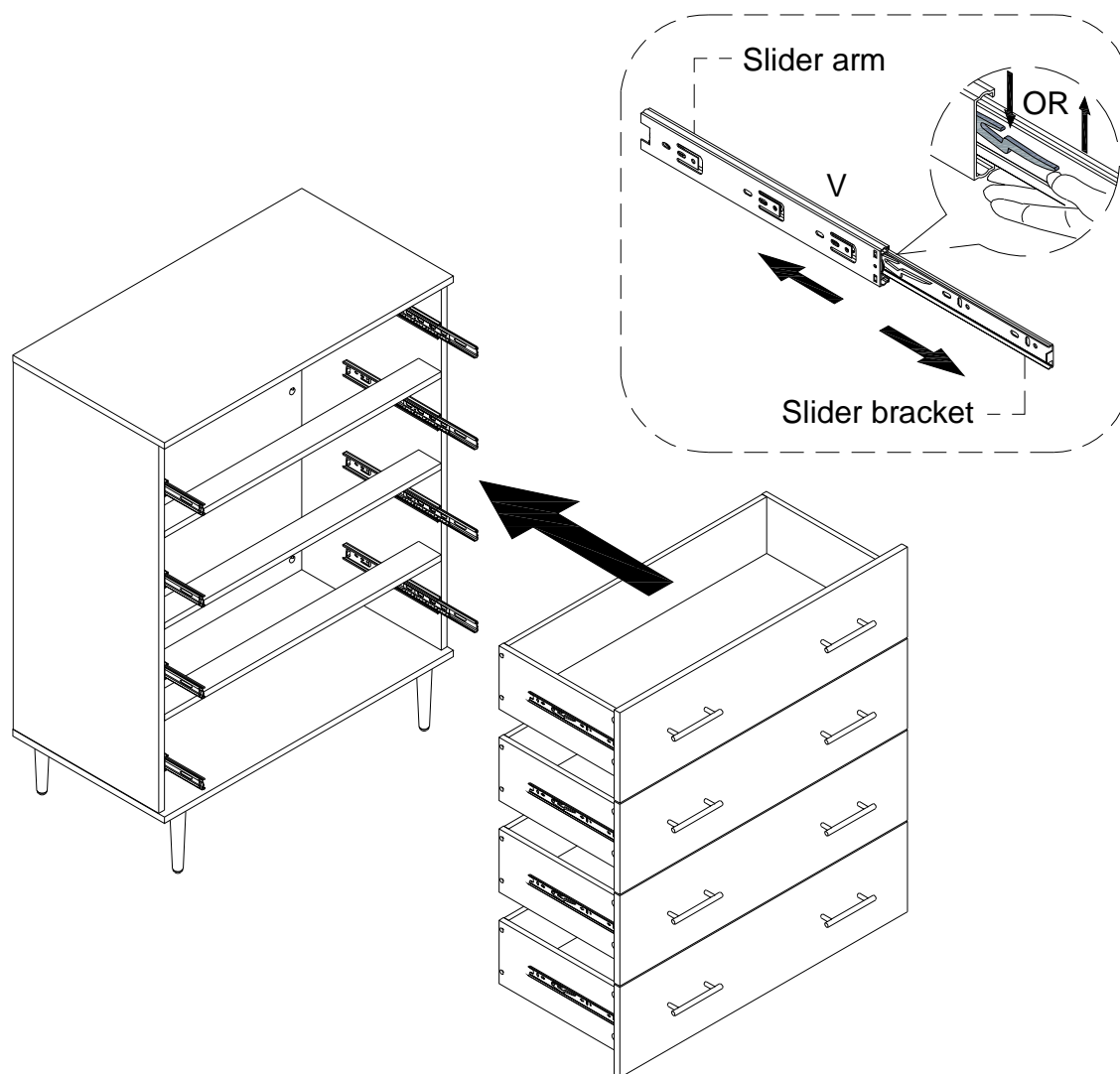
Using screw (P) attach part (11) to part (9) , then using Cam lock (D) attach part (14) to parts (10,11,13) with Philips head screwdriver as per diagram.

# Step 16



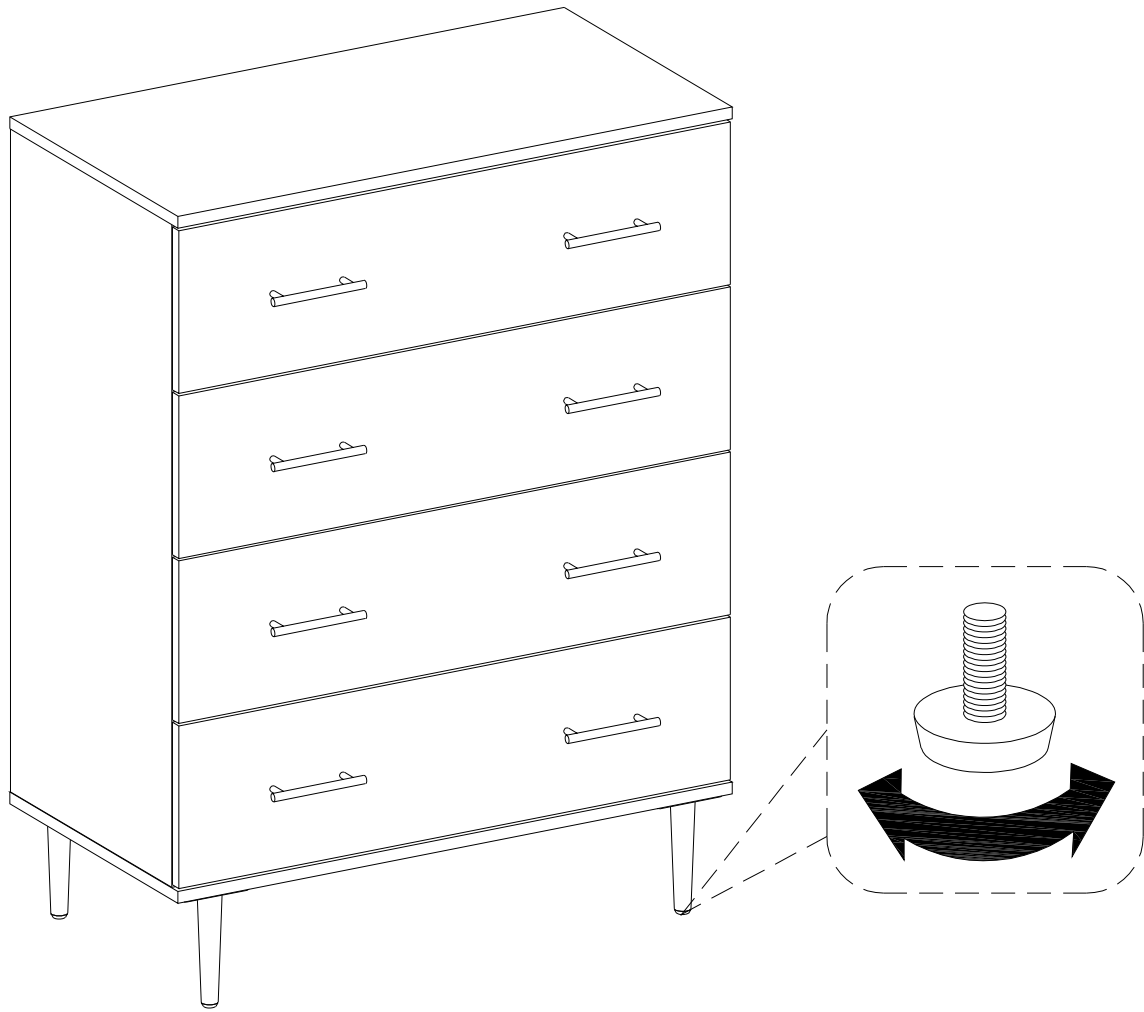
Place sticker (E) cover the holes as per diagram .

# Step 17



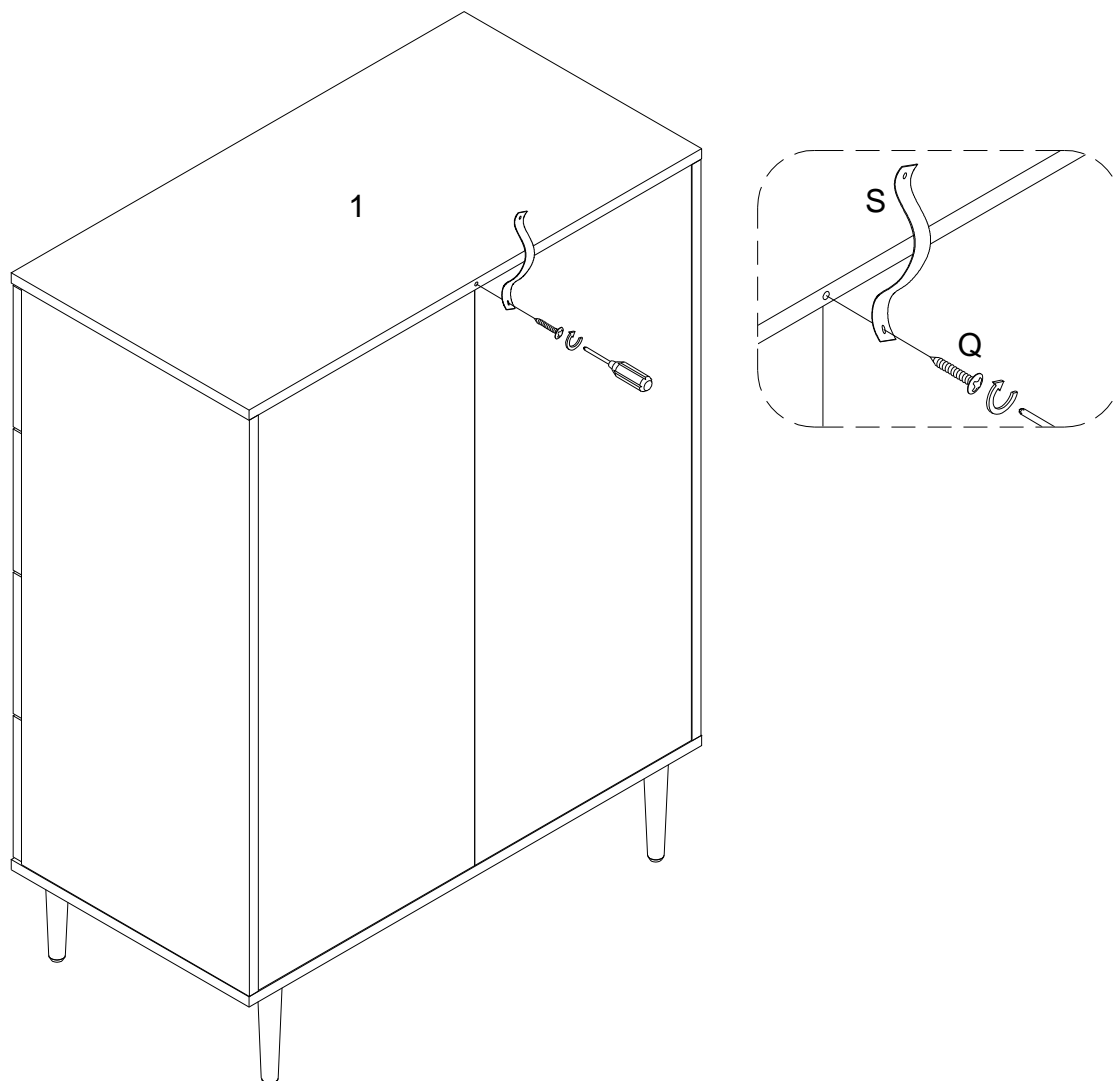
Insert the assembled drawers into the unit frame, extend the Ball Bearing Slide Tracks (V) on the pedestal Side Panel all the way forward .Then align the Slide Runners on the assembled drawers with the Slide Tracks and push the drawer carefully inside until it stops. Note : if the drawer does not go in smoothly, please take it out and repeat the step. If you need to remove the drawer, please pull the drawer all the way out,press or lift the plastic release lever and pull out the drawer and then re-assembled the drawer until it was going in smoothly .

## Step 18



Position the assembled unit at the desired location ,if necessary adjust the floor leveler at the bottom of the leg to level the unit .

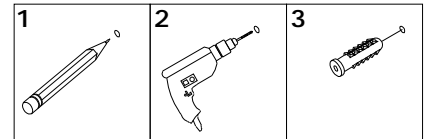
# Step 19



Using screw (Q) attach plastic strap (S) into part (1) with Philips head screwdriver as per diagram.

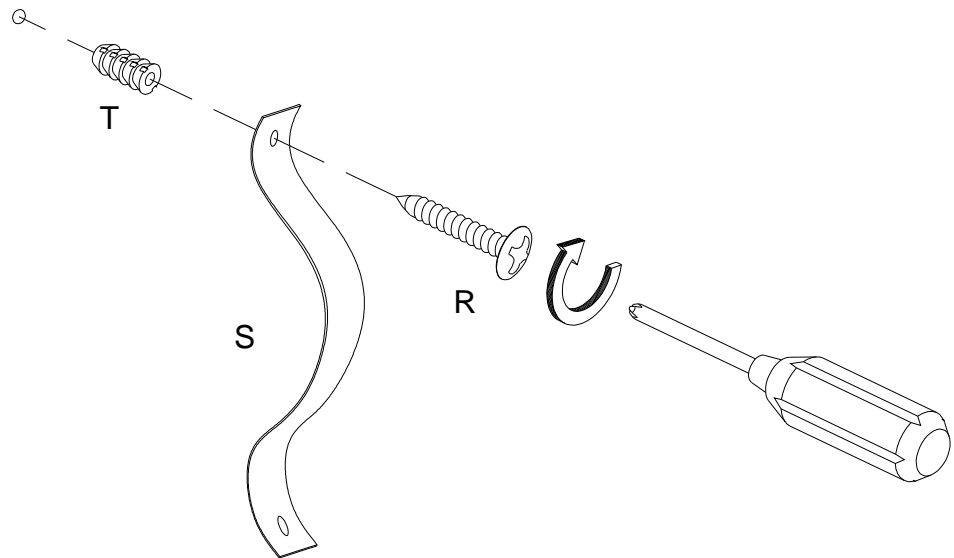
# Step 20

## WARNING



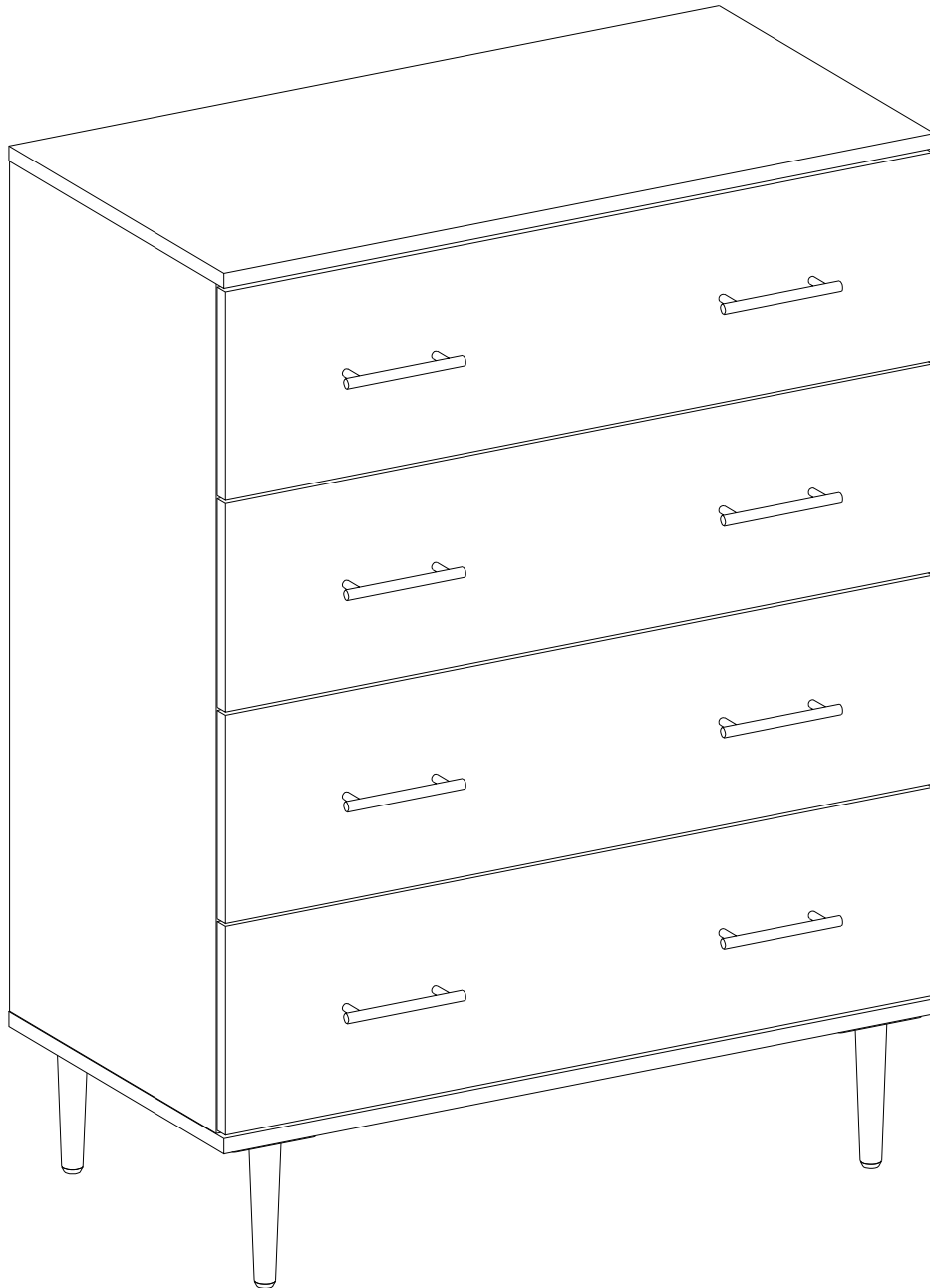
Serious or fatal injuries can occur from furniture tipping over. To prevent the furniture from tipping over we recommend that it is permanently fixed to the wall. Wall anchor and hardware are included with this product. Please make sure hardware is suitable for your walls before installing, as different wall materials may require different types of anchors.

Wall



Using screw (R) attach plastic strap (S) into Nut (T) to wall with Philips head screwdriver as per diagram.

# Step 21



**Final Assembly**