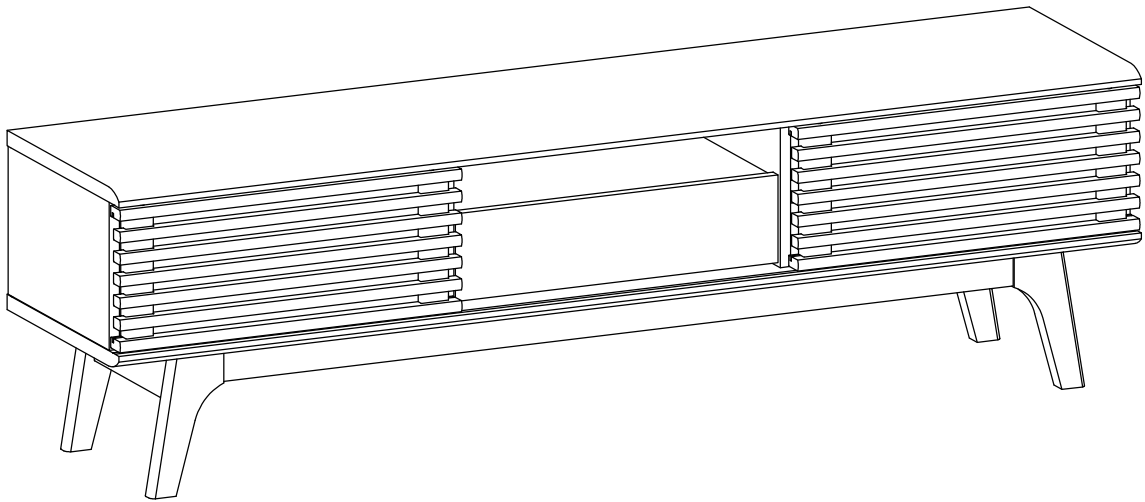


TV Stand

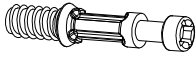




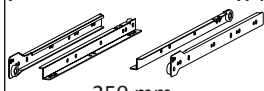






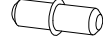


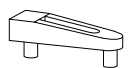
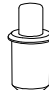





Thank you for purchasing the **TV Stand** !

Before you start, here is some helpful advice:

1. We suggest you spend a short time reading through this leaflet and then follow the simple step-by-step instructions.
2. Owing to the size and weight of the desk, we recommend that it is assembled by two adults, on a carpeted or padded area, in the room that it is intended for. Approximate assembly time: 60 minutes.
3. Please do not use any tools other than those provided or recommended in these instructions.
4. Please do not throw away any of the packaging or instructions until you have checked all the components and hardware and the furniture is fully assembled.
5. Assemble all components loosely until advised to tighten. Depending on use, it may be necessary to tighten the components from time to time, so please save the tools that have been provided.
6. Please keep all pieces out of reach of children.

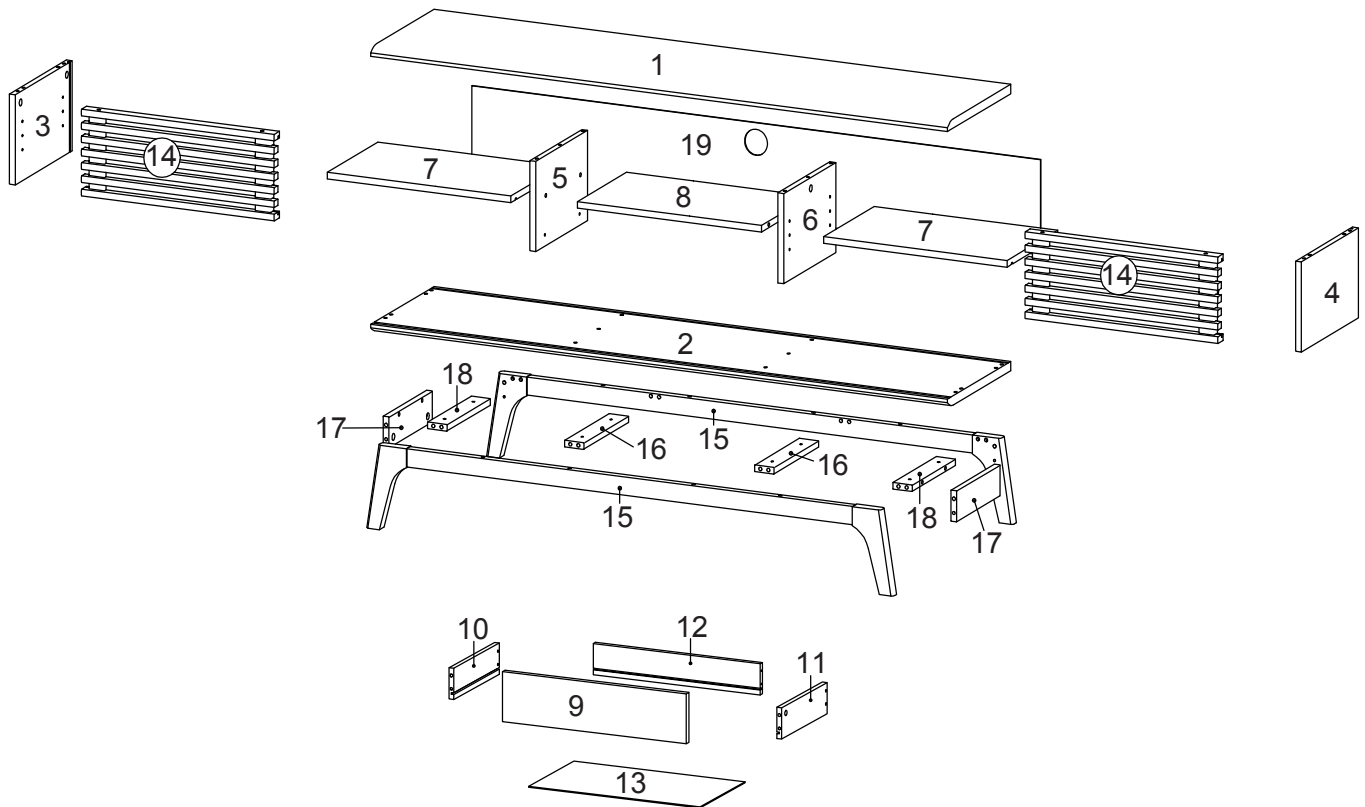


Hardware :

A  x12 Ø 6 x 35 mm	B  x10 Ø 15 mm	C  x 2 Ø 12 mm	D  x 52 Ø 8 x 30 mm	E  x 2 Ø 6 x 30 mm
F  x 1 250 mm	G  x 4 M 6.5 x 10.5 mm	H  x 4 M 3.5 x 13 mm	I  x 4 M 8 x 39 mm	J  x 6 M 7 x 50 mm
K  x 1 L 4	L  x 8 M 12 x 35 mm	M  x 8 Ø 5 x 15 mm	N  x 12 9 x 14 x 10 mm	O  x 12 M 3.5 x 15.5 mm
P  x 2 42 x 14 x 8 mm	Q  x 4 Ø 8 x 19 mm	R  x 4 Ø 8 x 16 mm	S  x 2 Ø 8 mm	T  x 6 Ø 15 mm(Long)
U  x 2 25 x 25 x 2 mm	V  x 1 Screwdriver (Not Include)			

TV Stand

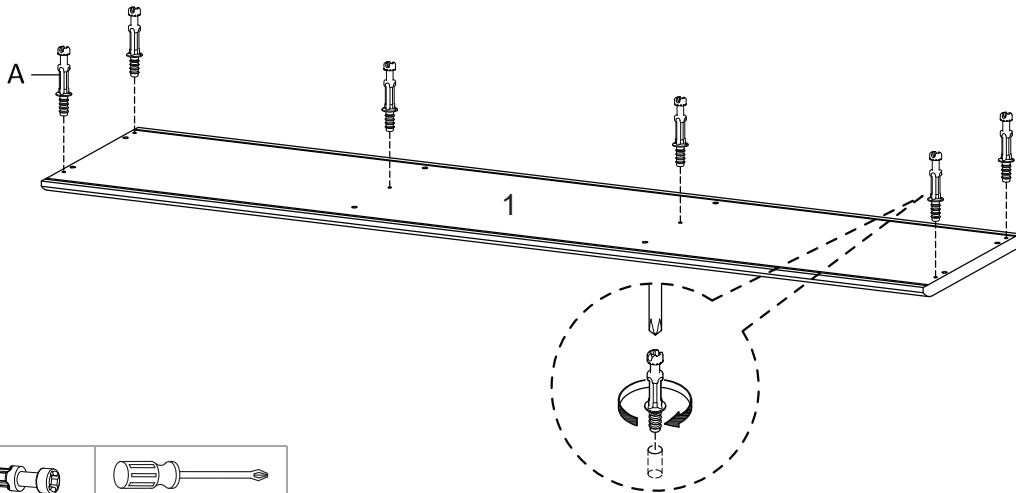
Components:





1	Top Board	x1	2	Bottom Board	x1	3	Side Board Left	x1	4	Side Board Right	x1
5	Centre Board Left	x1	6	Centre Board Right	x1	7	Adjustable Shelf	x2	8	Fixed Shelf	x1
9	Front Drawer	x1	10	Side Drawer Left	x1	11	Side Drawer Right	x1	12	Back Drawer	x1
13	Bottom Drawer	x2	14	Sliding Door	x1	15	Leg	x2	16	Support Board 1	x2
17	Support Board 2	x2	18	Support Board 3	x2	19	Back Board	x1			

TV Stand

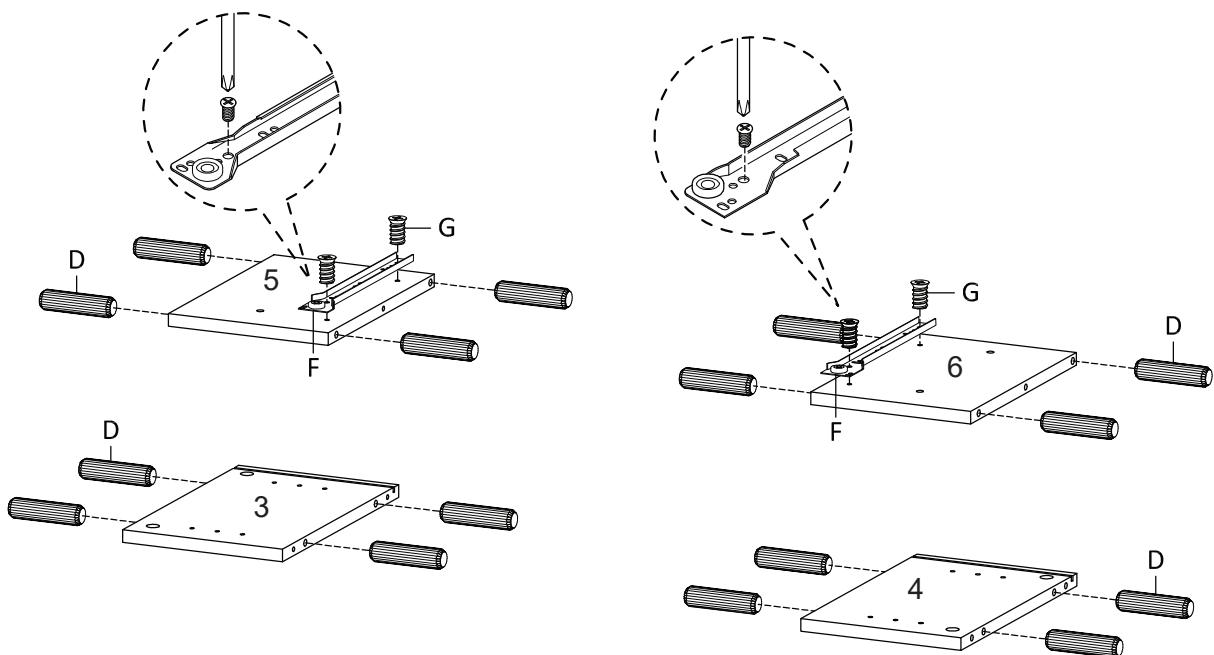
STEP 1:




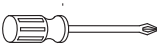


	
Ax6	Vx1

Hardware required. Screwdriver not included

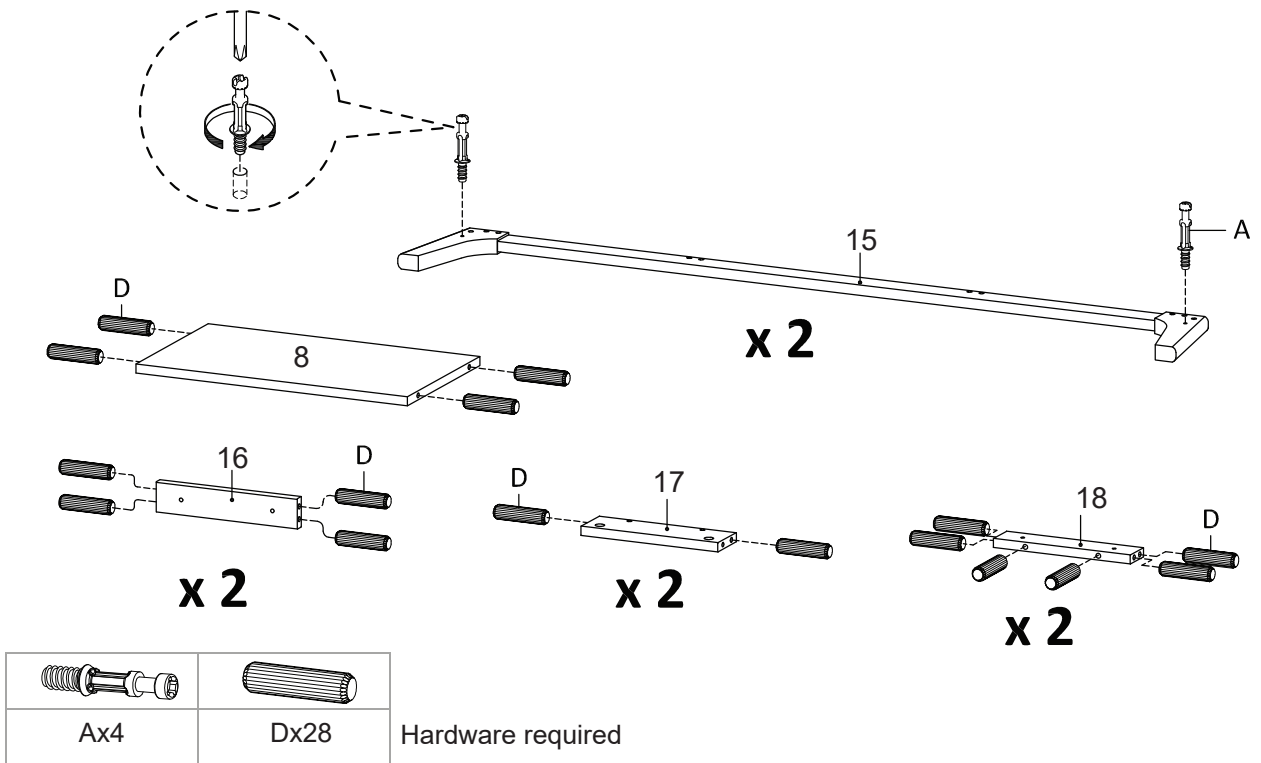
STEP 2:



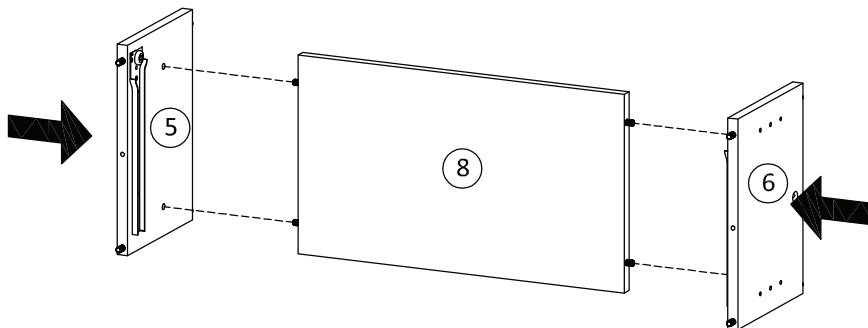
			
Dx16	Fx1	Gx4	Vx1

Hardware required. Screwdriver not included

STEP 3:

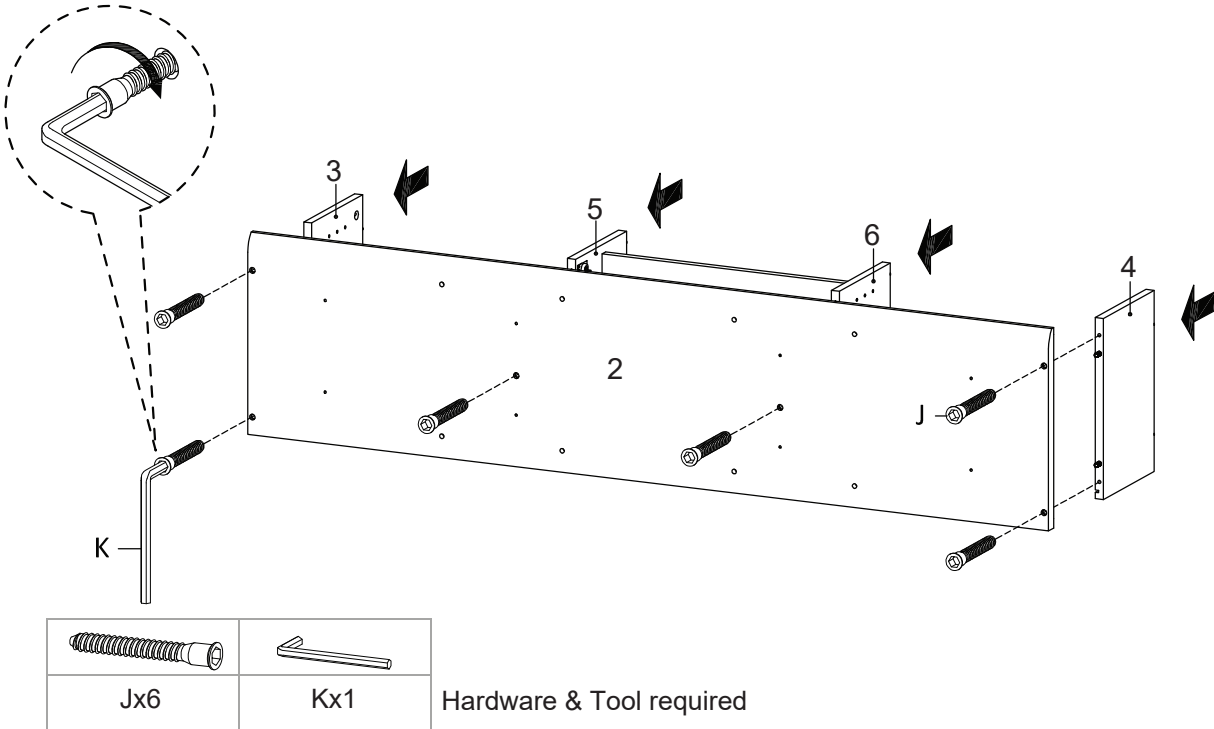


STEP 4:

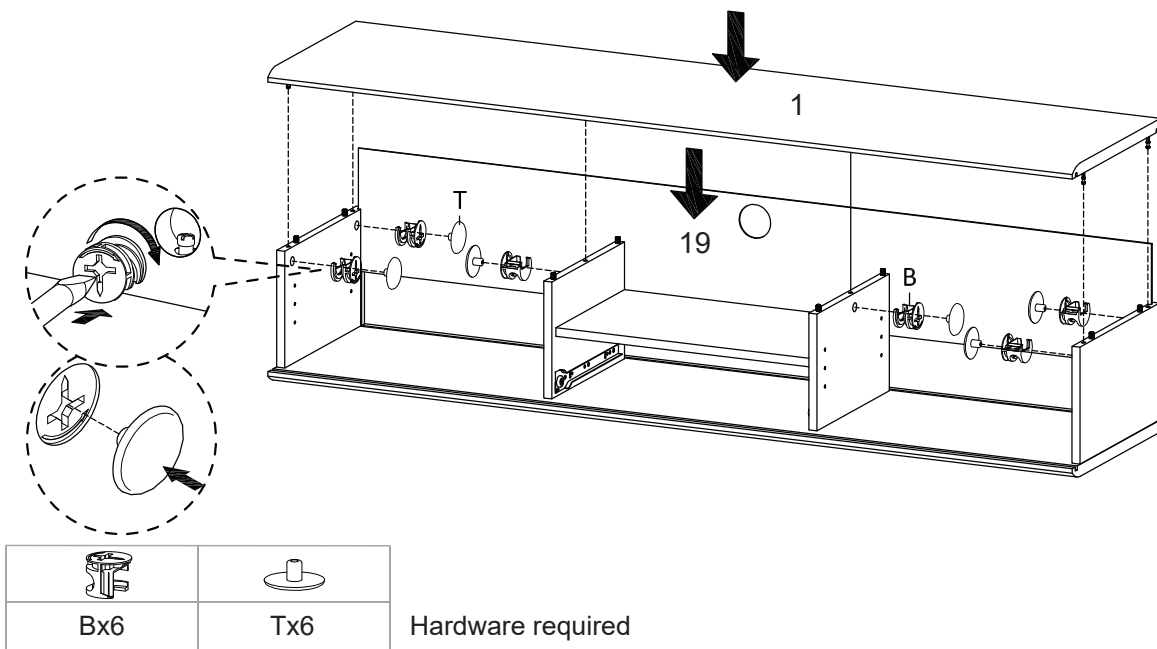


TV Stand

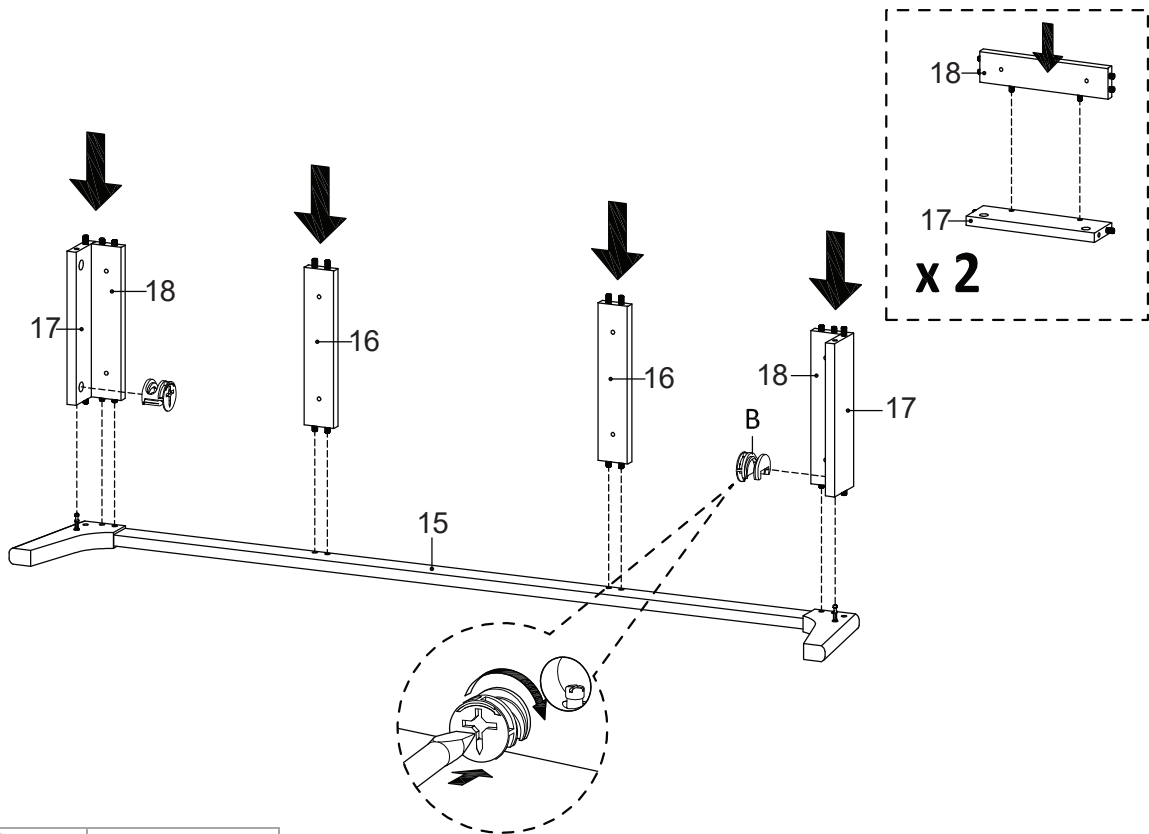
STEP 5:


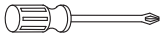


STEP 6:



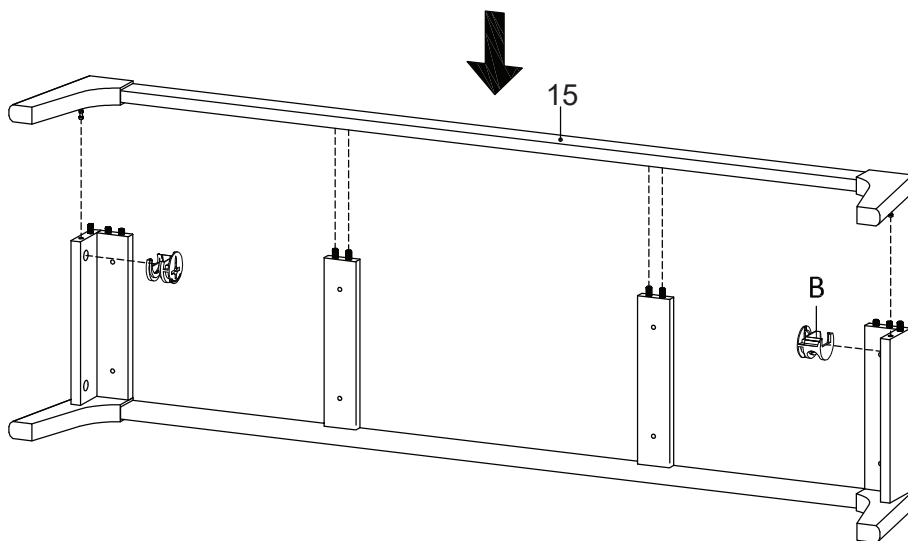
STEP 7:





	
Bx2	Vx1

Hardware required. Screwdriver not included

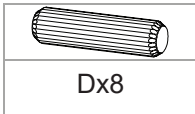
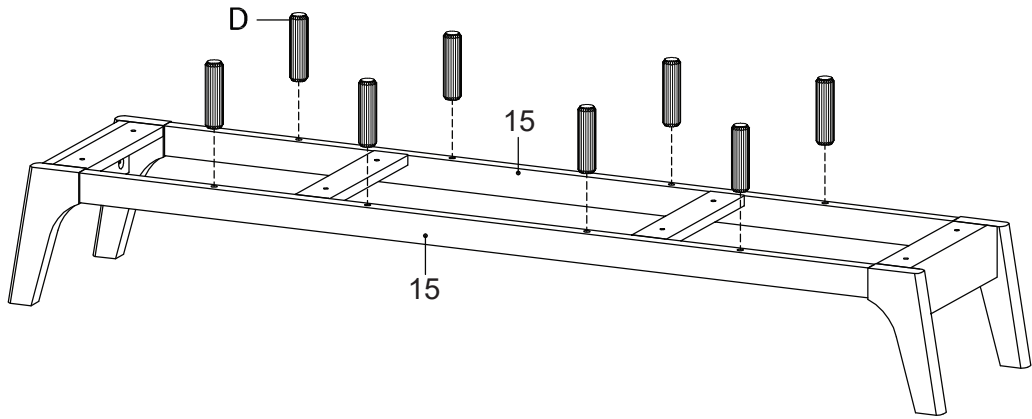
STEP 8:



	
Bx2	Vx1

Hardware required. Screwdriver not included

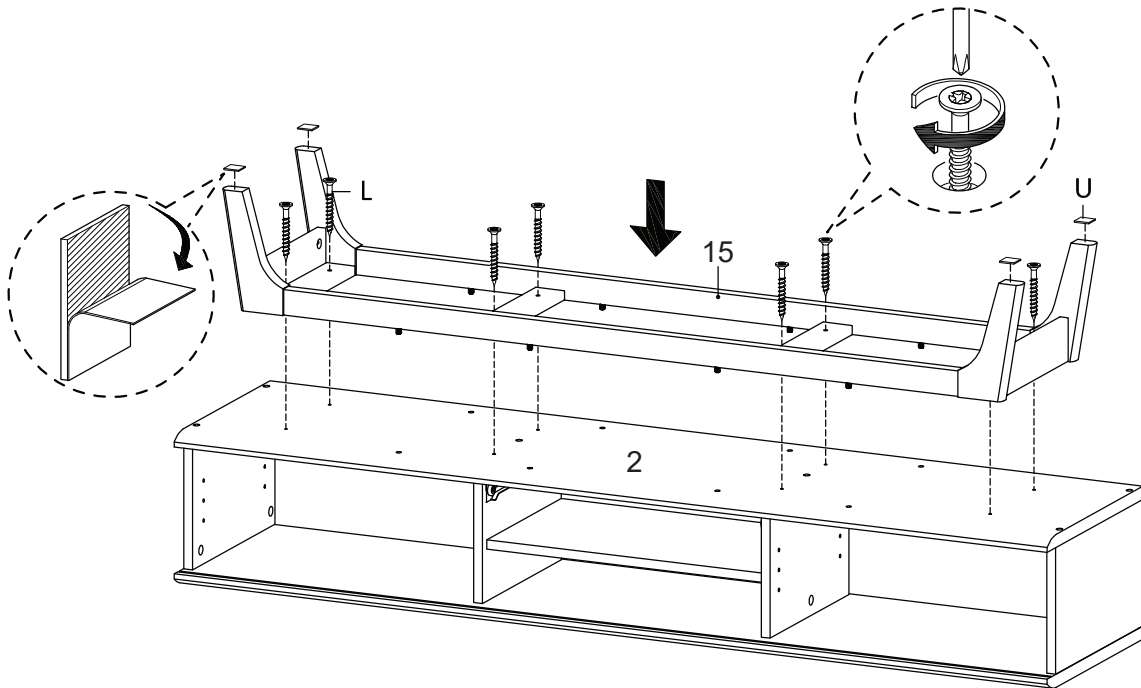
STEP 9:



Dx8

Hardware required

STEP 10:



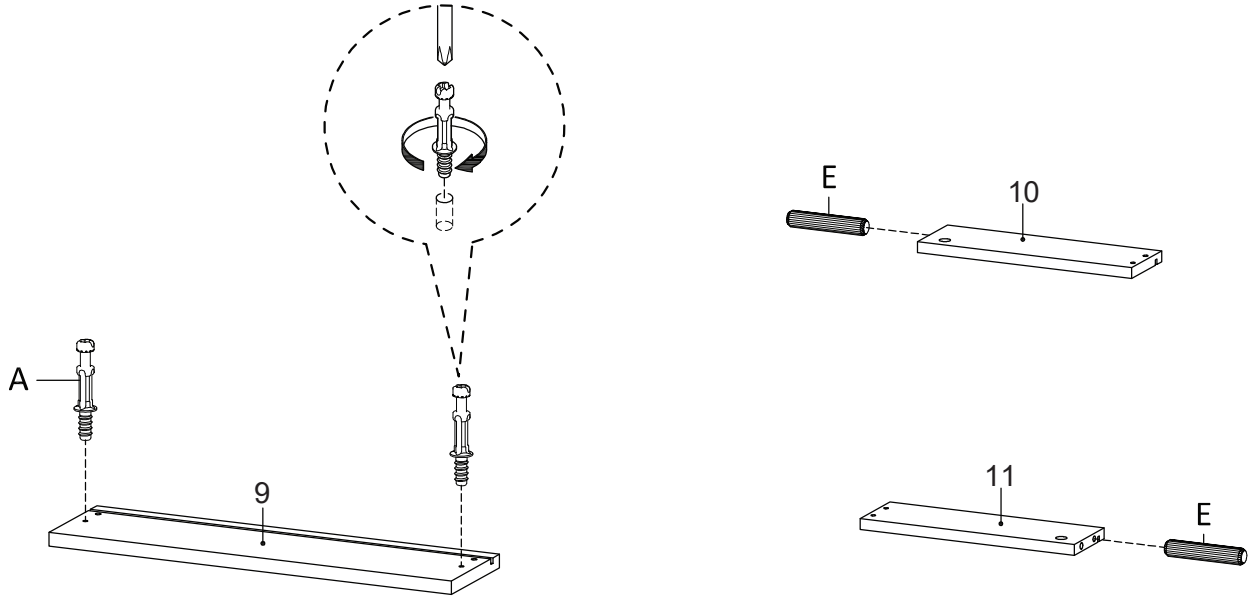
Lx8




Ux4

Vx1

Hardware required. Screwdriver not included

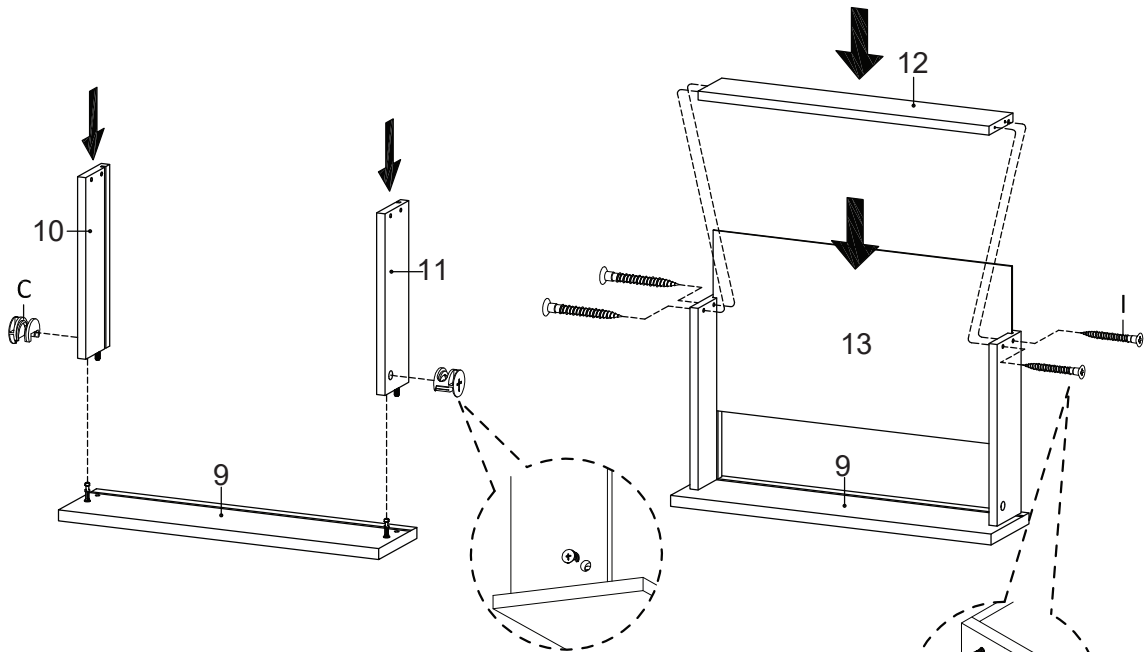
STEP 11:






		
Ax2	Ex2	Vx1

Hardware required. Screwdriver not included

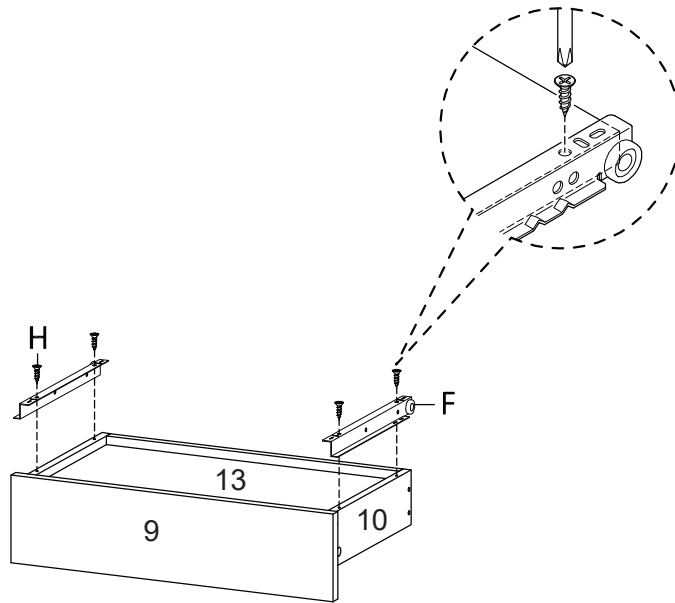
STEP 12:

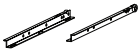



		
Cx2	Ix4	Vx1

Hardware required.
Screwdriver not included

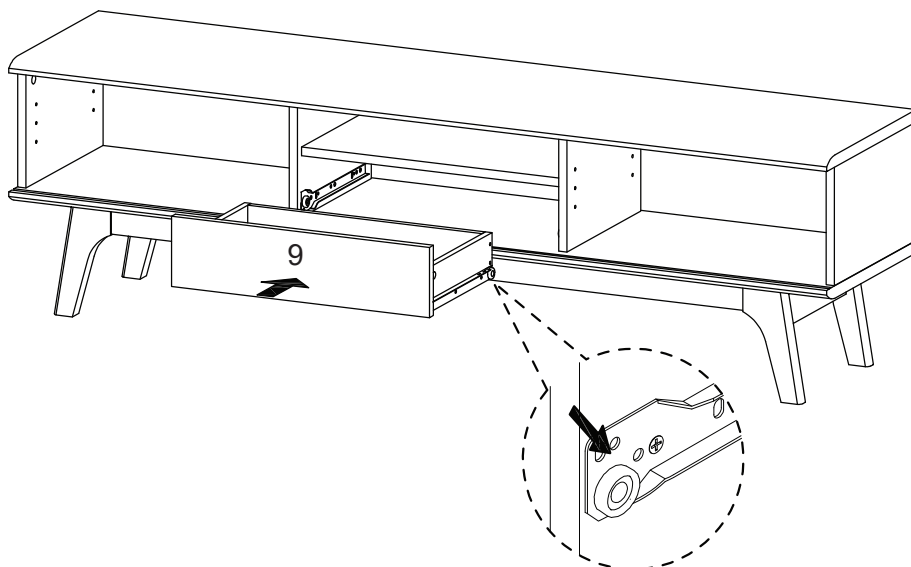
STEP 13:



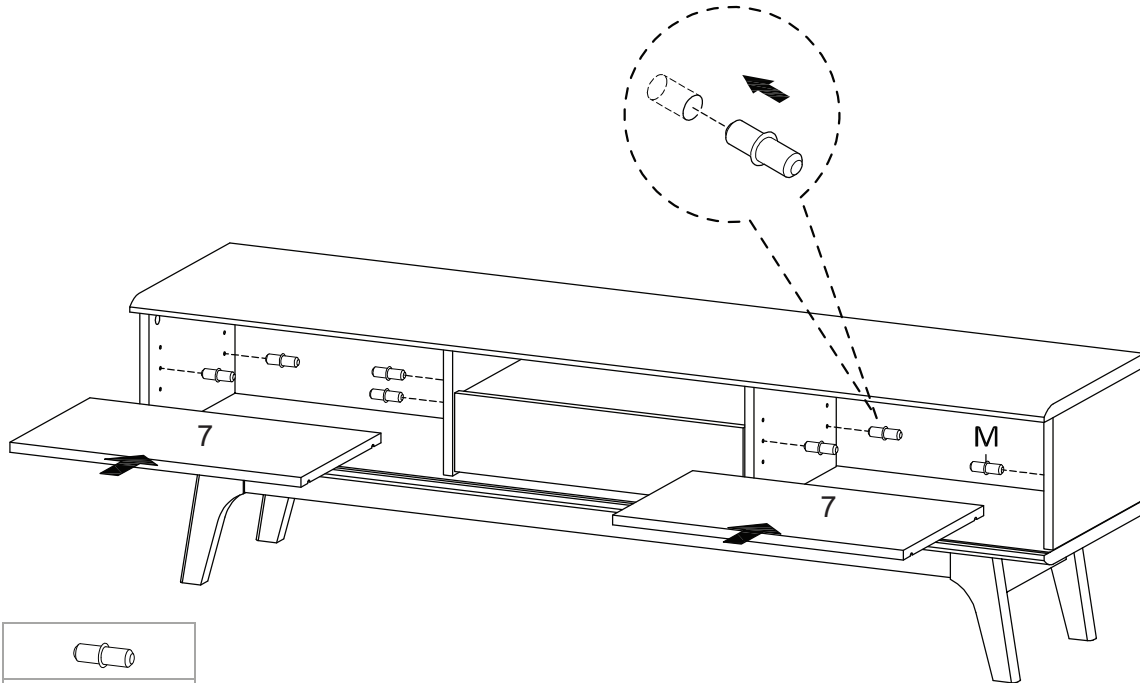
		
Fx1	Hx4	Vx1

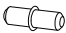
Hardware required. Screwdriver not included

STEP 14:



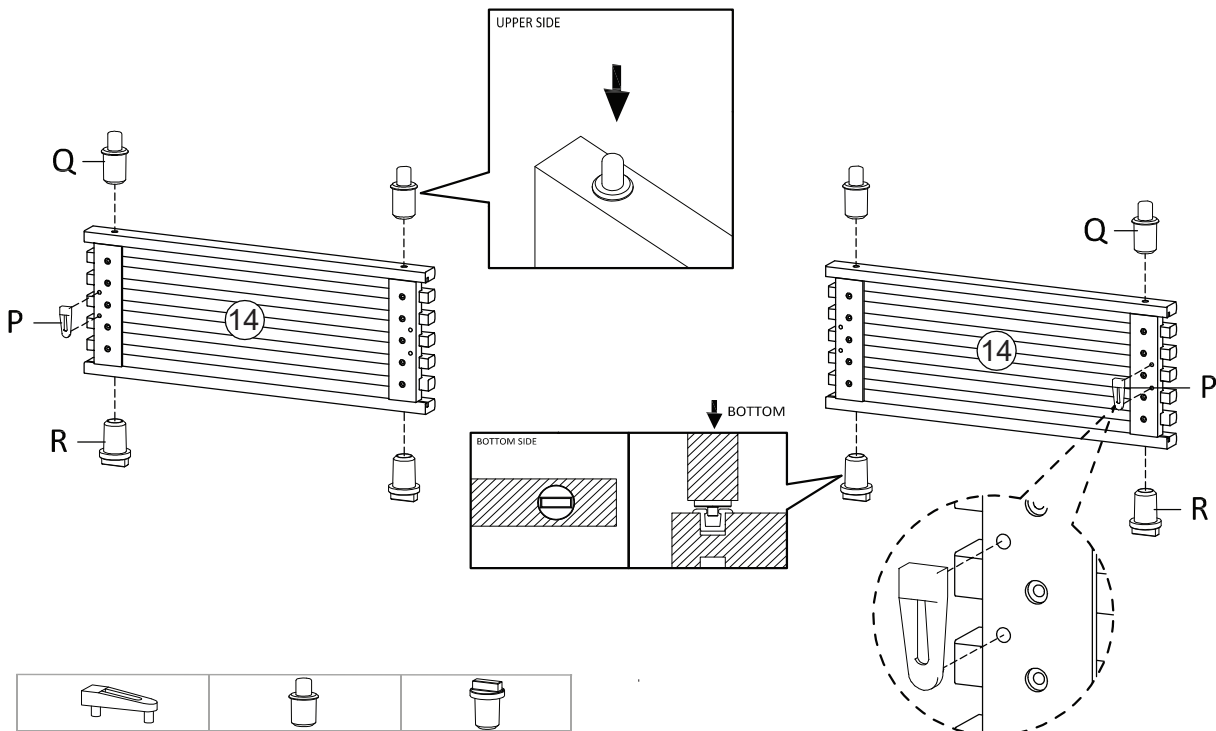
STEP 15:

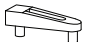
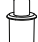




Mx8

Hardware required

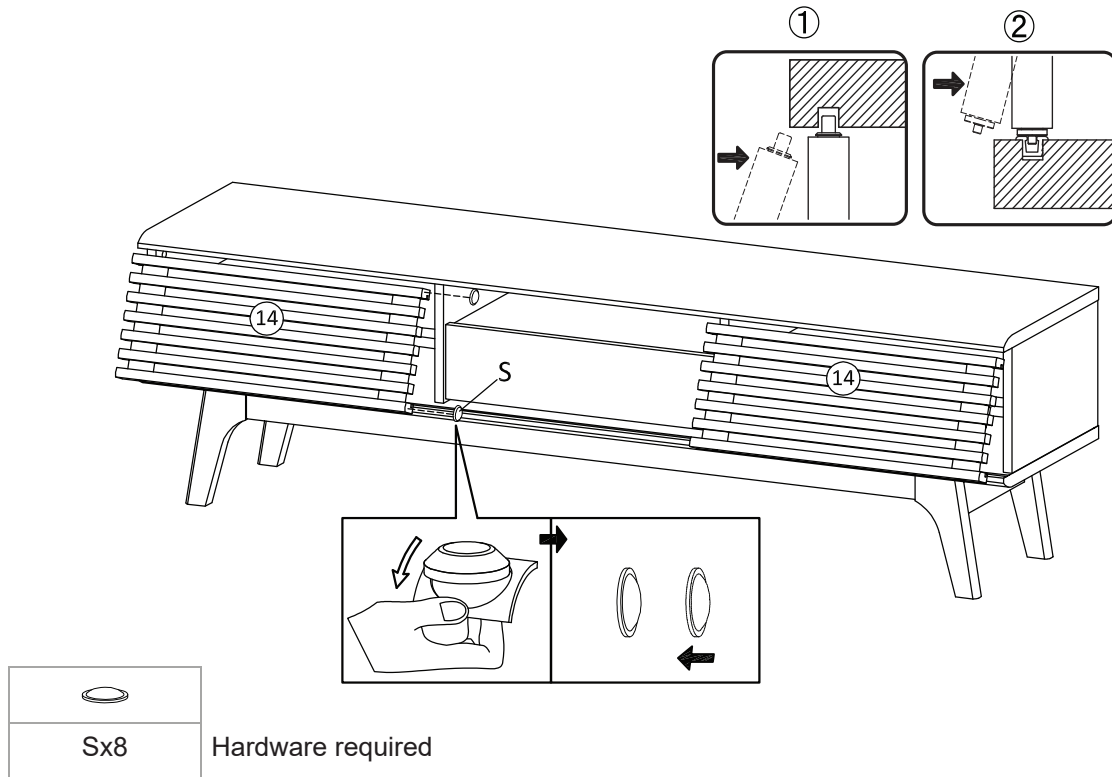
STEP 16:



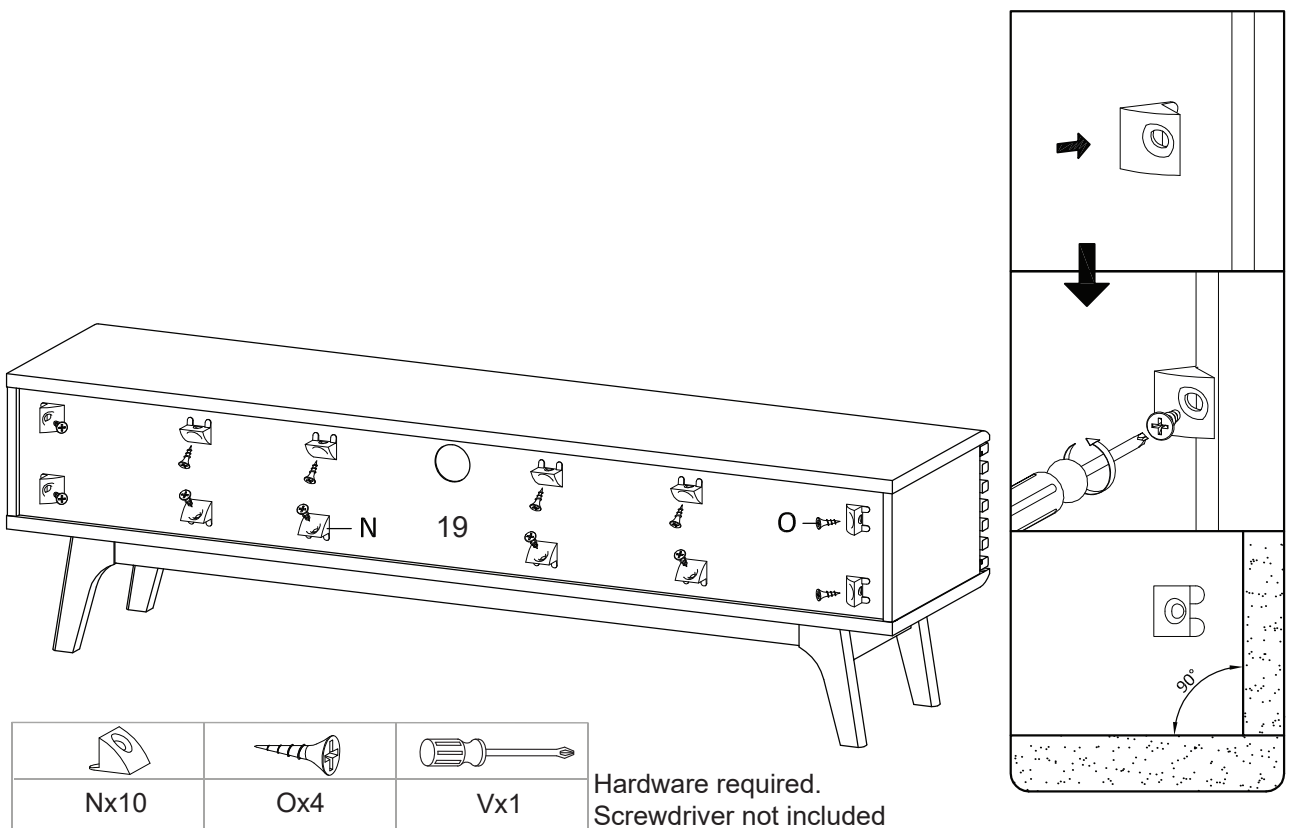
		
Px2	Qx4	Rx4

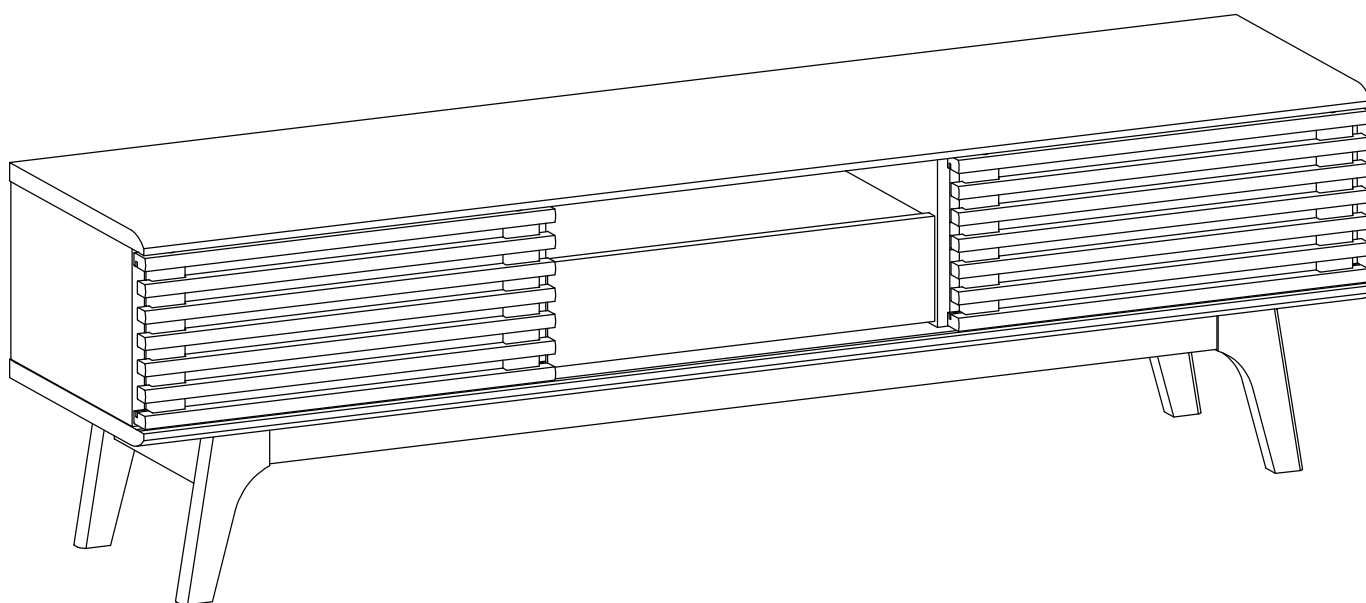
Hardware required

STEP 17:



STEP 18:





Assembly is completed. The TV Stand is ready to enjoy now !