






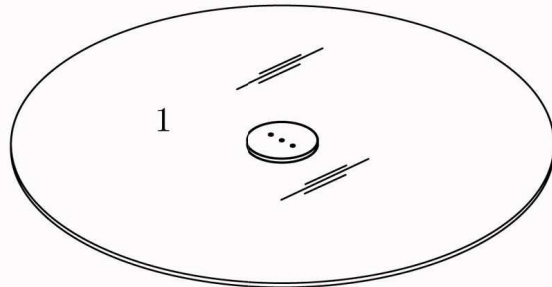


ATTENTION: WHEN MOVING THE TABLE MAKE SURE TO PLUCK UP THE TABLE AND PLACE IN DESIRED LOCATION. DAMAGE CAN OCCUR IF THE LEGS ARE DRAGGED ACROSS THE FLOOR

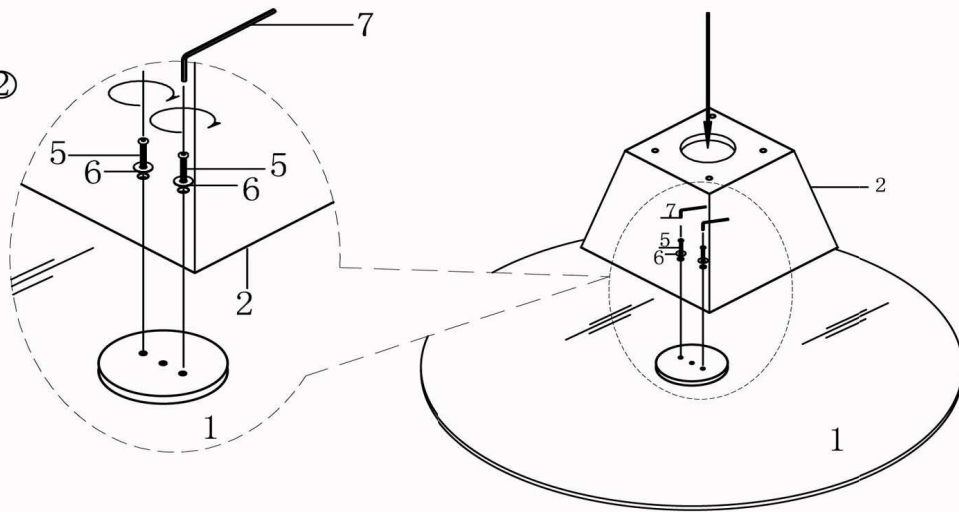
1	 Ø1140*12 1PC	3	 1PC	5	 M8*22 2PCS	7	 4# 1PC
2	 1PC	4	 M8*30 4Pcs	6	 Ø18*Ø8*1.2 6PCS		

ASSEMBLING STEPS

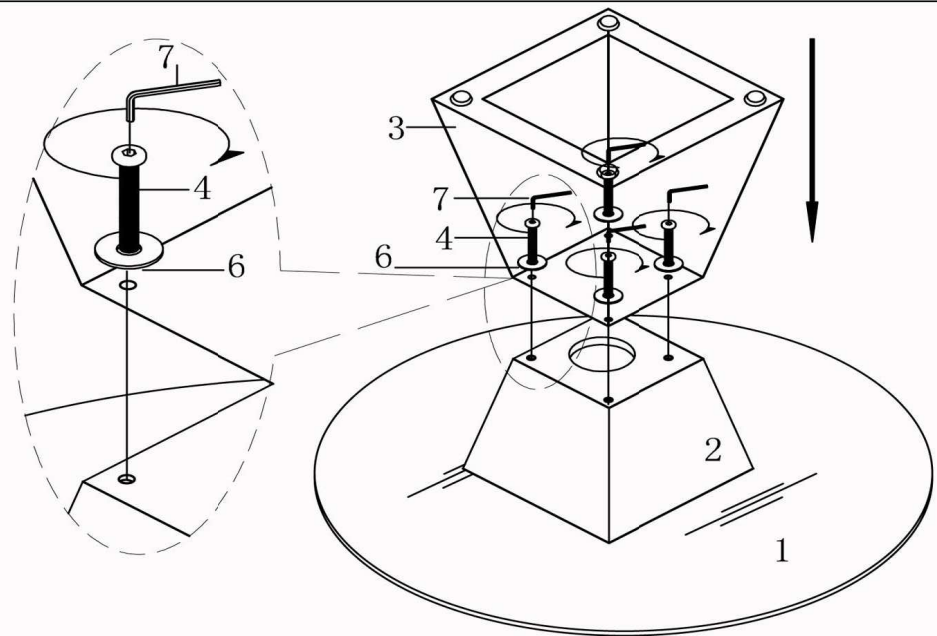
①



②

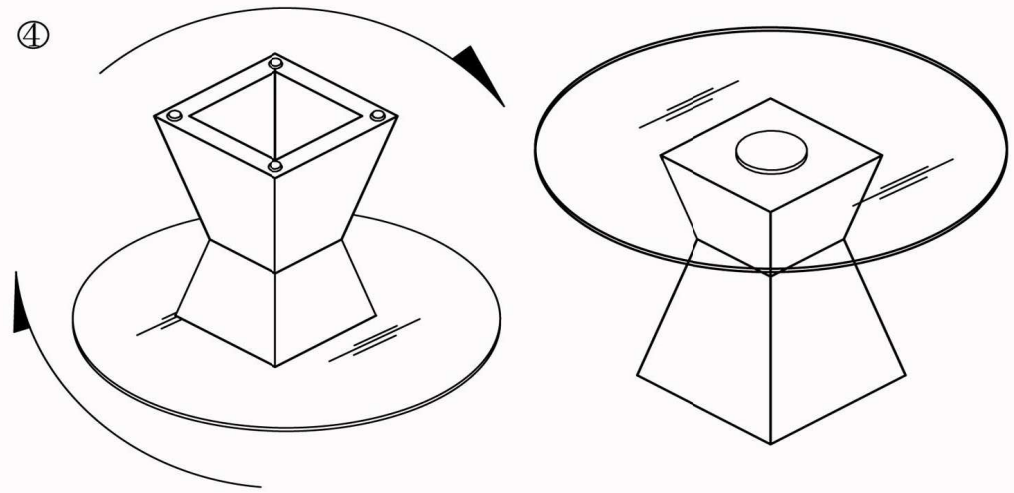


③



Remark: Tighten the screws till aligning the holes

④



Remark: Turn the table with care by two persons

YOU will need to periodically check/re-tighten the bolts
NOT FOR COMMERCIAL USE