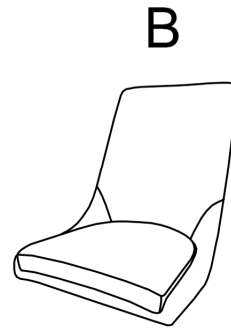


DINING CHAIR ASSEMBLY INSTRUCTIONS

PARTS/PACKAGING CONFIGURATION

- A. LEG FRAME 2PCS
- B. SEAT 2PCS



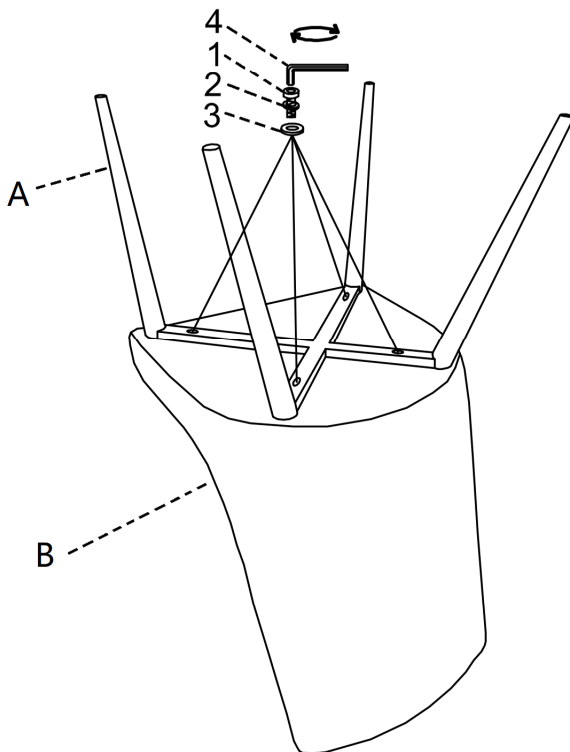
HARDWARE ENCLOSED IN CARTON (for 2 chairs)

FULLY ASSEMBLED

NO.	DESCRIPTION	IMAGE	QUANTITY
1	ALLEN BOLT(6X35mm)		8 PCS
2	LOCK WASHER(M6)		8 PCS
3	FLAT WASHER (M6)		8 PCS
4	ALLEN KEY (M4)		2 PCS



STEP 1:



ASSEMBLY COMPLETE

