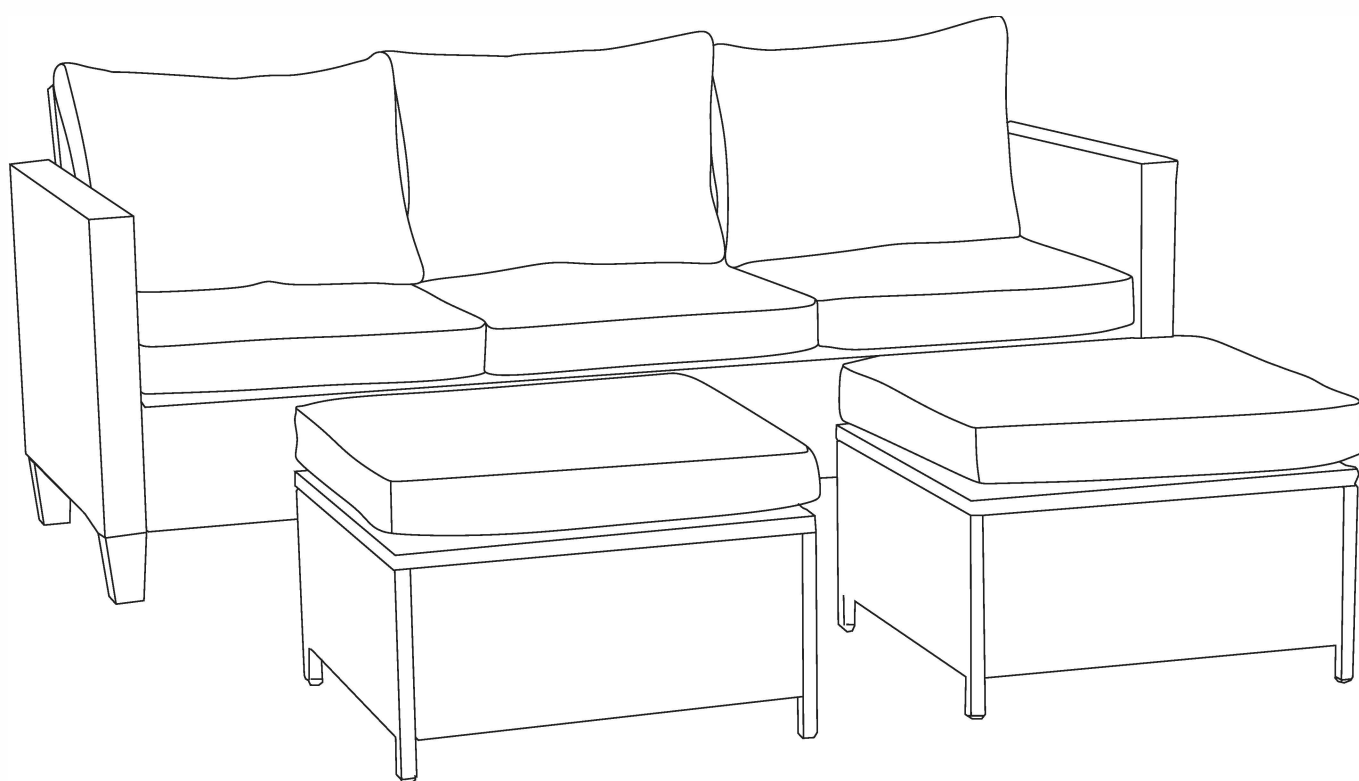


---

---

# Outdoor Wicker Sofa set



---

---

## **General Guidelines:**

- Please read the following instructions carefully and use the product accordingly.
- Please keep this manual and hand it over when you transfer the product.
- This summary may not include every detail of all variations and considered steps. Please contact us when further information and help are needed.
- Any questions, please contact our customer service.

## **Notes:**

- Personal injury and/or damage to the product may occur if the product is used outside of its intended purposes and/or if the product has been changed/modified from its original design. The product must be assembled and used in accordance with the provisions of the manual. The seller does not assume any responsibility or liability with respect to any damage caused by incorrect assembly or improper use.
- Carefully check accessories when opening the package. If anything is missing or damaged, please contact us immediately.
- Please do not force or overtighten screws. If any screw gets stuck, unscrew it and start again. After setup, fully tighten screws.
- Please keep all the packaging - we cannot accept any returned item without the original packaging.
- Please ensure that you have sufficient space to assemble the item.
- Do not tighten all the screws before ensuring the item is properly aligned.

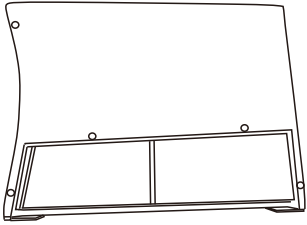
## **Warnings:**

- Keep children away when assembling the product. Small parts included in the package can be fatal if swallowed or inhaled.
- To avoid potential dangers of suffocation, please keep all parts and packaging (film plastic bags, foam, etc.) away from babies and children.
- Tighten all components securely before use. Failure to do so may result in personal injury.

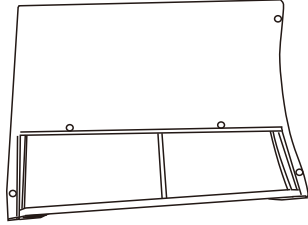
## **Daily Maintenance:**

- Sweep surfaces as needed using a soft-bristle brush.
- Store this furniture set indoors or cover it well when not in use. Using patio furniture covers will prolong the life of the furniture and keep it looking like new, regardless of the climate.
- To extend the life of the cushions, clean them regularly and store them away when not in use, preferably in a cool, dry place indoors. Ensure the cushions are completely dry before storing.

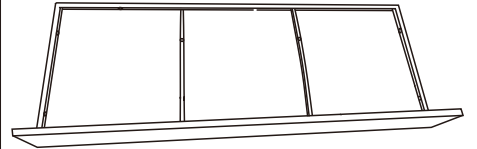
# PART

**A**

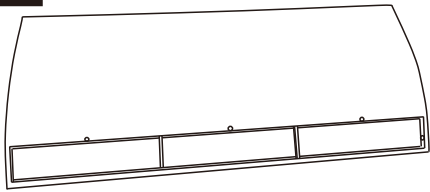
Left Armrest X1

**B**

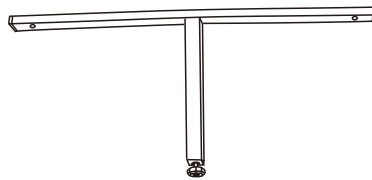
Right Armrest X1

**E**

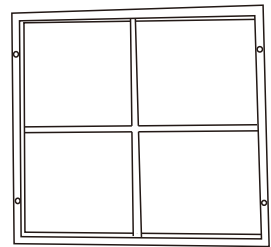
Seat Board X1

**F**

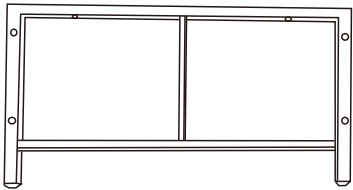
Backrest X1

**G**

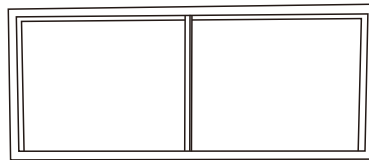
Support Leg X1

**H**

X2

**I**

X4

**J**

X4

**K**

M8X70mm X4

**L**

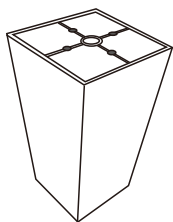
Washer X39

**M**

M8 Allen Key X1

**N**

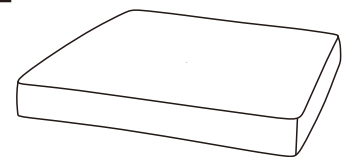
M6 Allen Key X1

**O**

Plastic Feet X4

**P**

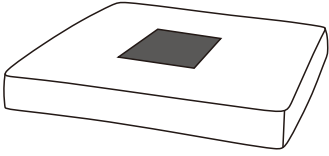
Back Cushion X3

**Q**

Seat Cushion X3

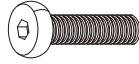
# PART

**R**



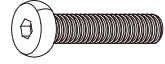
Ottoman Cushion X2

**S**



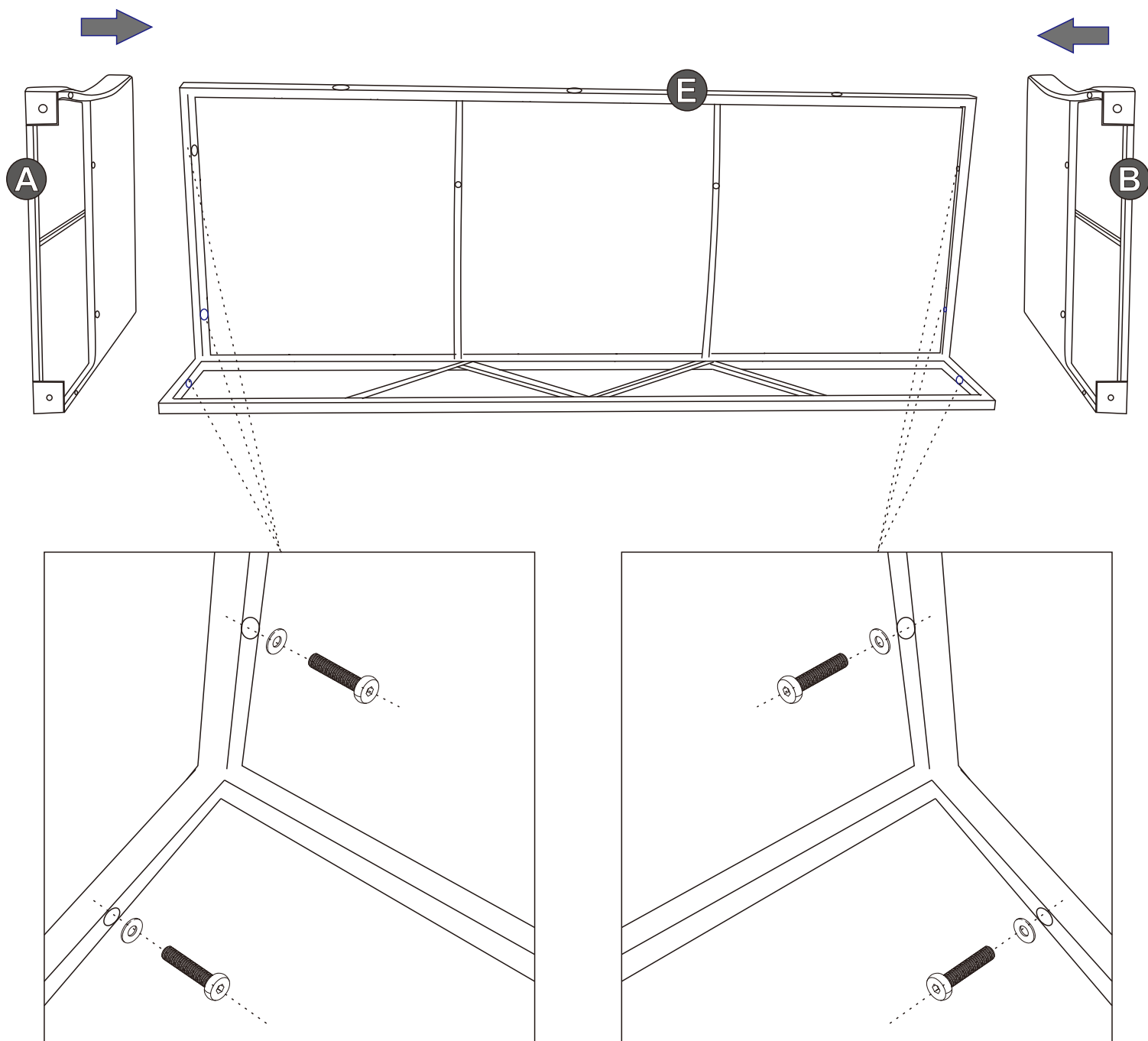
M6X30mm X26

**T**



M6X35mm X13

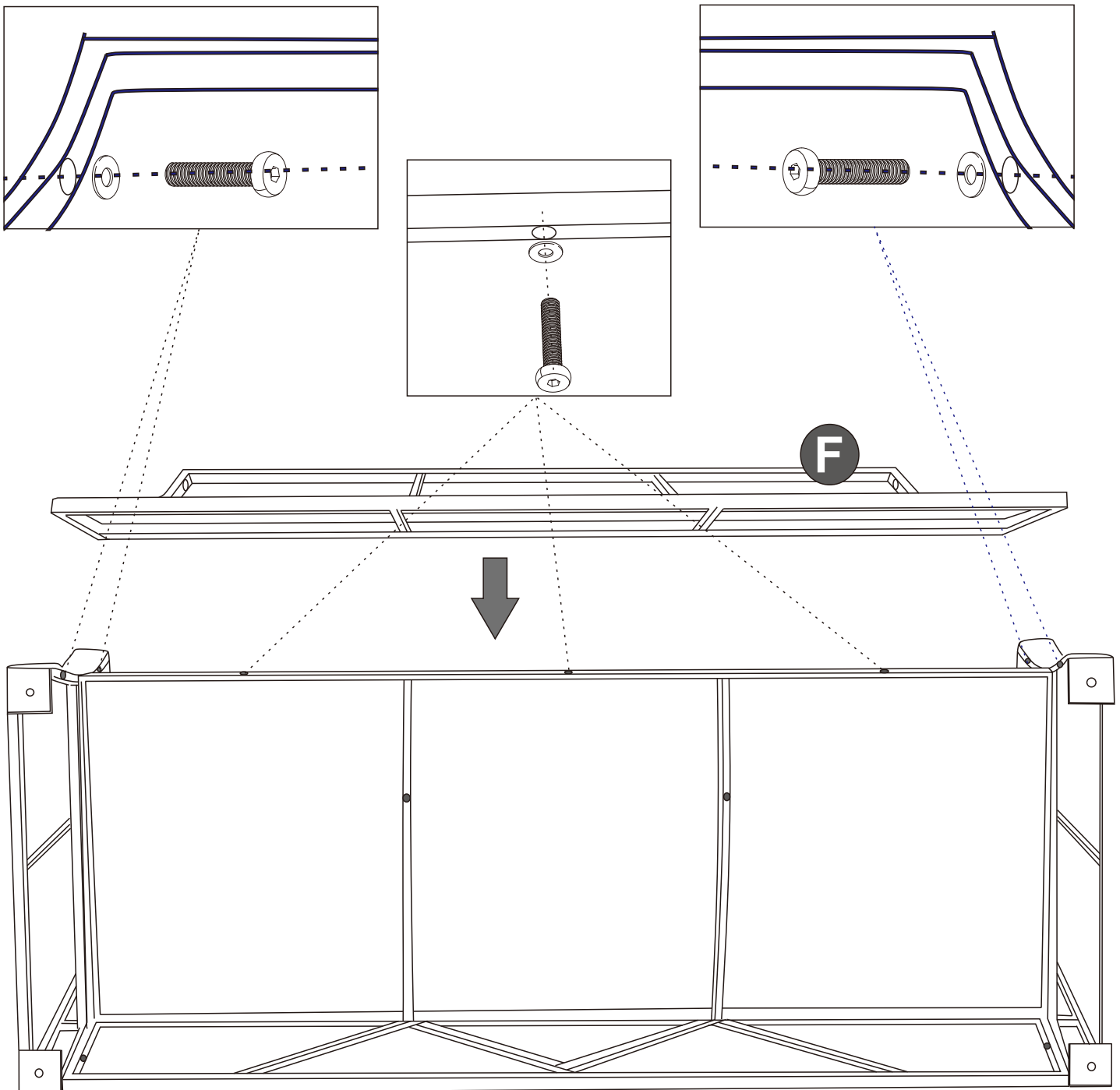
**Step 1:** Please connect the left armrest ( A ) and right armrest ( B ) to the seat board ( E ) using screws.



	M6x35mm	T x 6
	Washer	L x 6
	M6 Allen Key	N x 1

**Caution:** Wait to tighten screws until assembly is complete for better alignment and stability.

**Step 2:** Connect the backrest ( F ) of the chair to the seat, left and right armrests.

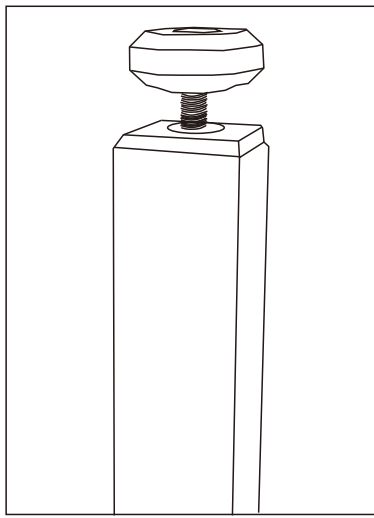
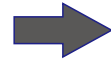
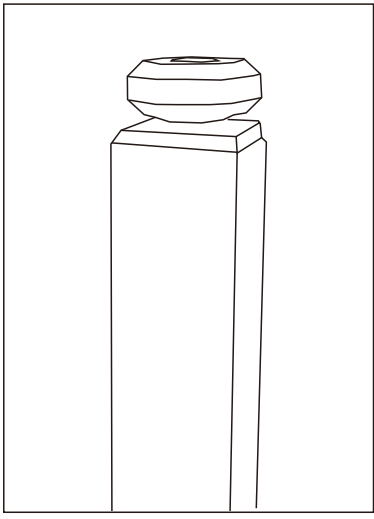
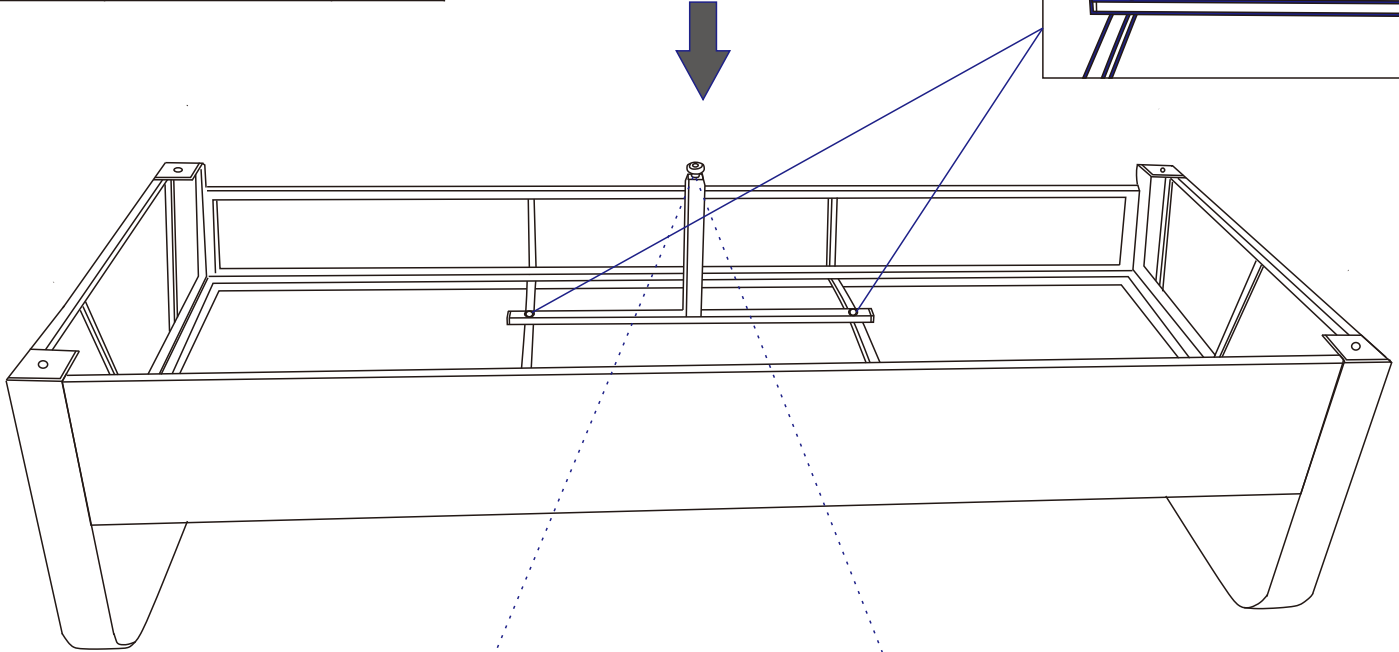
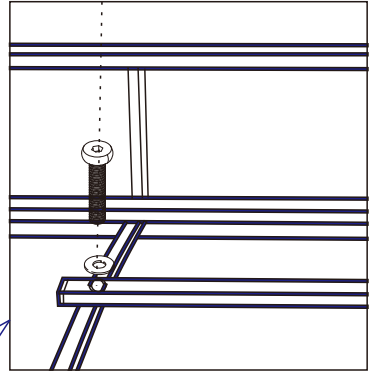
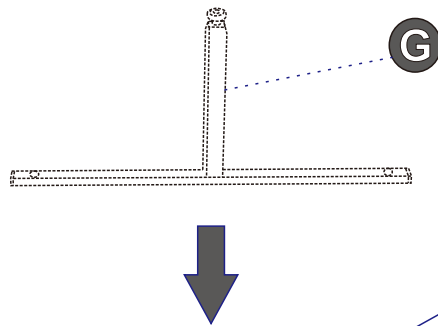


	M6x35mm	T x 7
	Washer	L x 7
	M6 Allen Key	N x 1

**Caution:** Wait to tighten screws until assembly is complete for better alignment and stability.

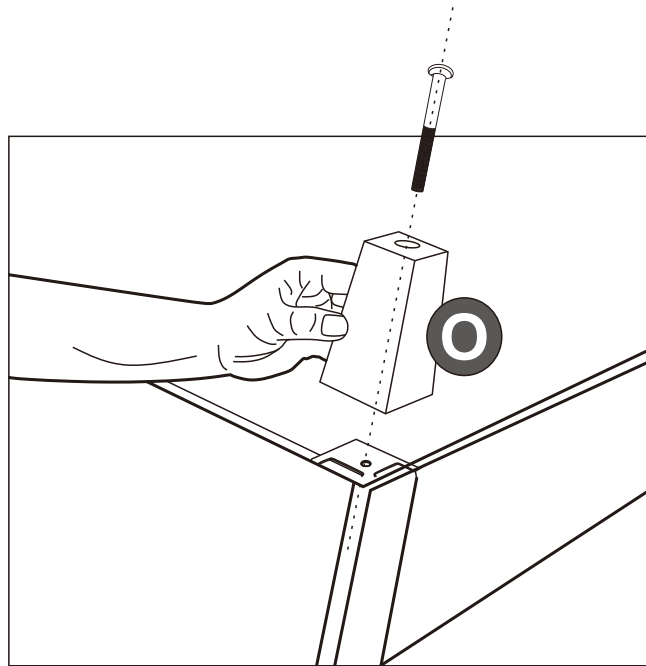
**Step 3:** Assemble the support leg ( G ) onto the frame at the bottom of the chair to provide added support.



	M6x30mm	S x 2
	Washer	L x 2
	M6 Allen Key	N x 1

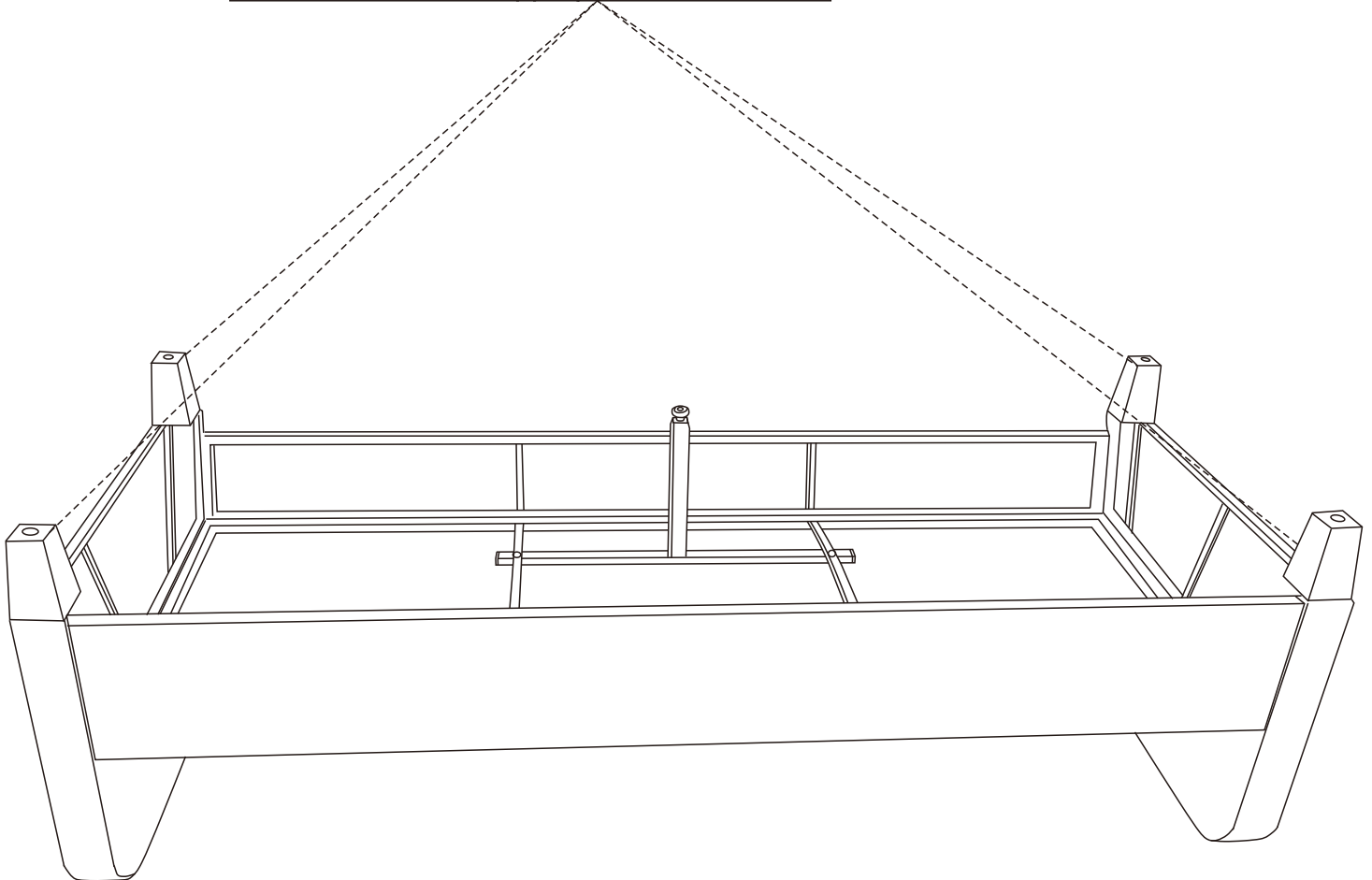


**Attention:** Adjust the knob at the bottom of the support leg to accommodate different surfaces. Make sure to install this support leg before using.

**Step 4:** Assemble the plastic feet ( O ) onto the bottom of the sofa.



	M8x70mm	K x 4
	M8 Allen Key	M x 1



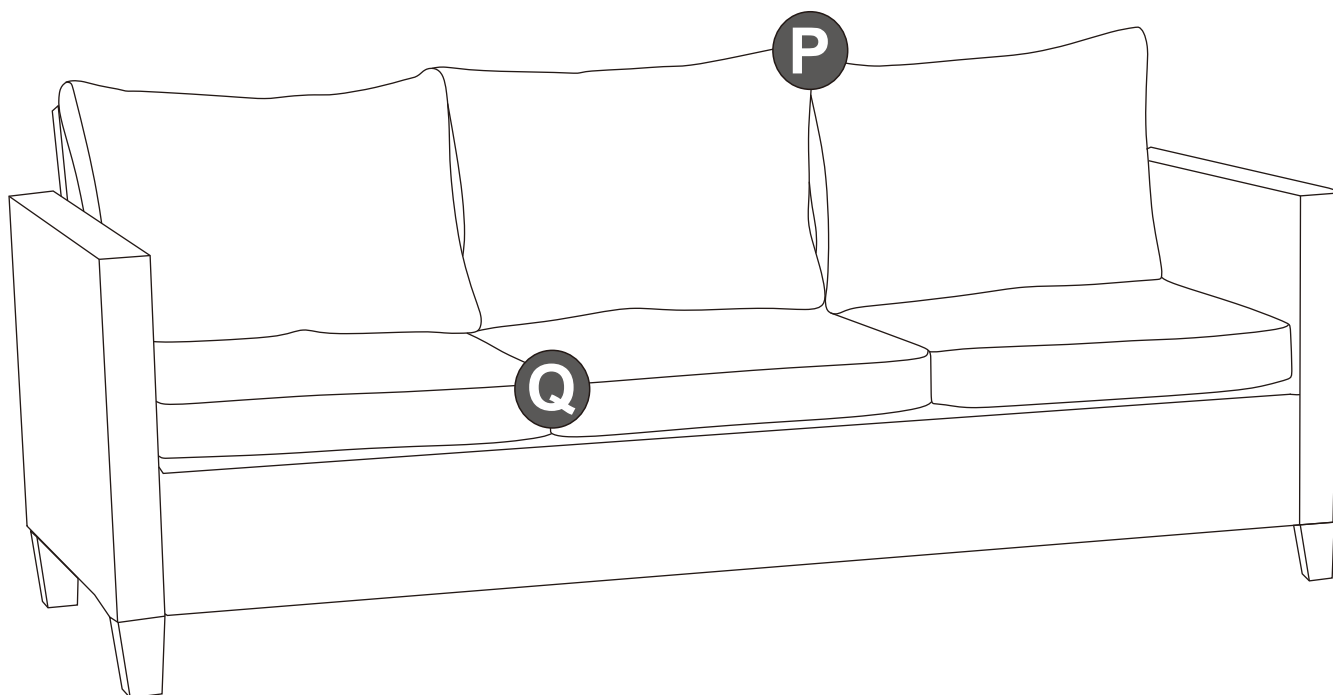
**Caution:** Wait to tighten screws until assembly is complete for better alignment and stability.



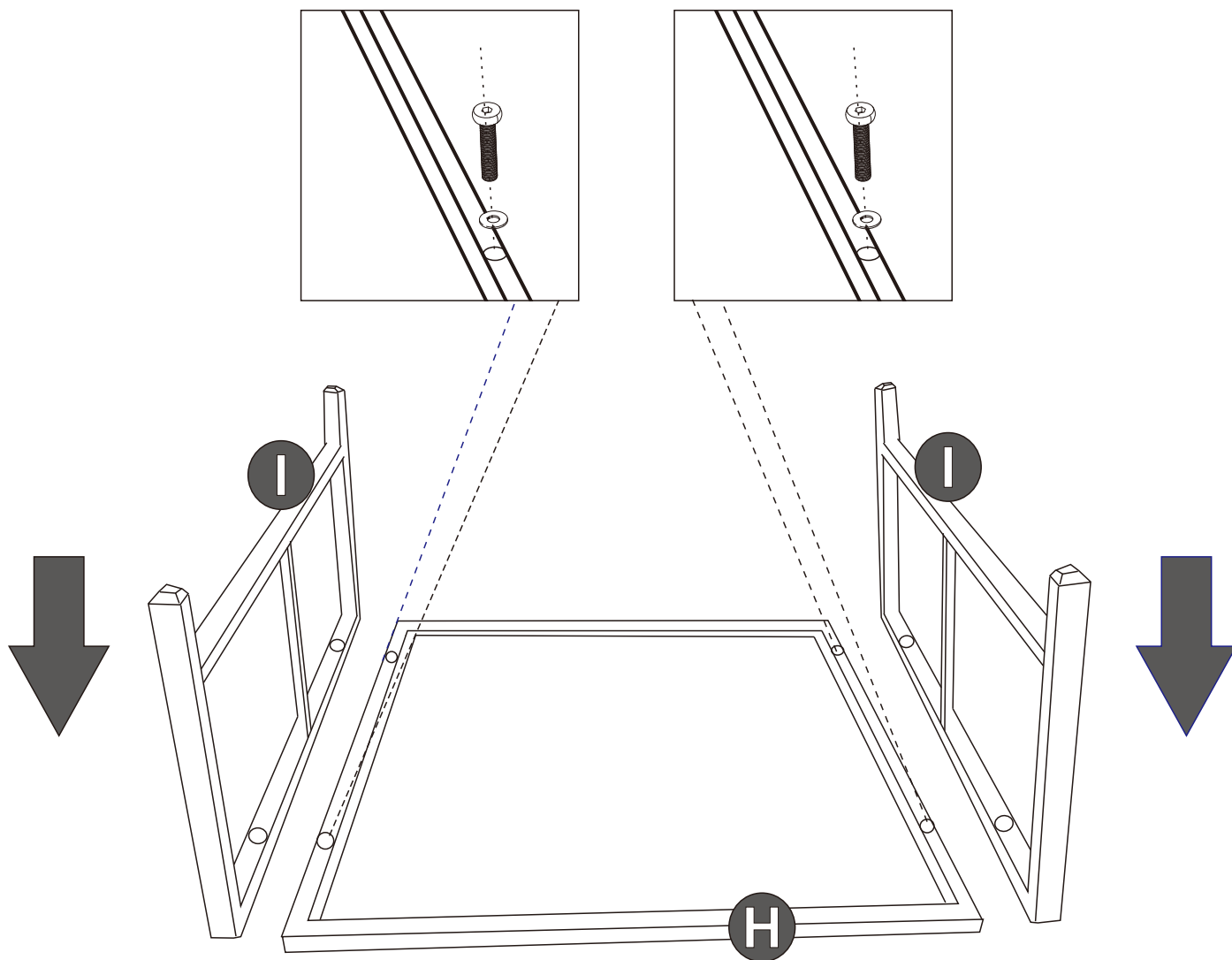
---

---

**Step 5:** Place the seat cushion ( Q ) and back cushion ( P ) onto the sofa.



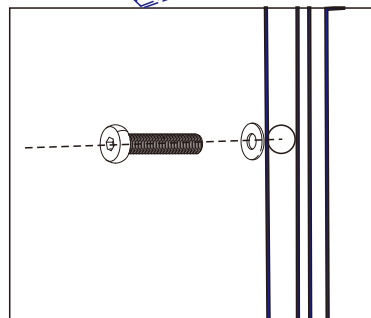
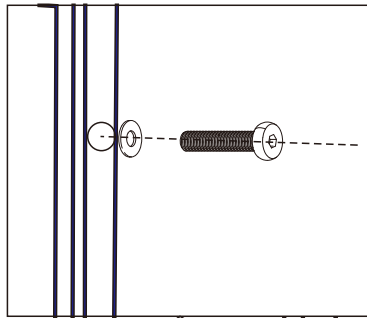
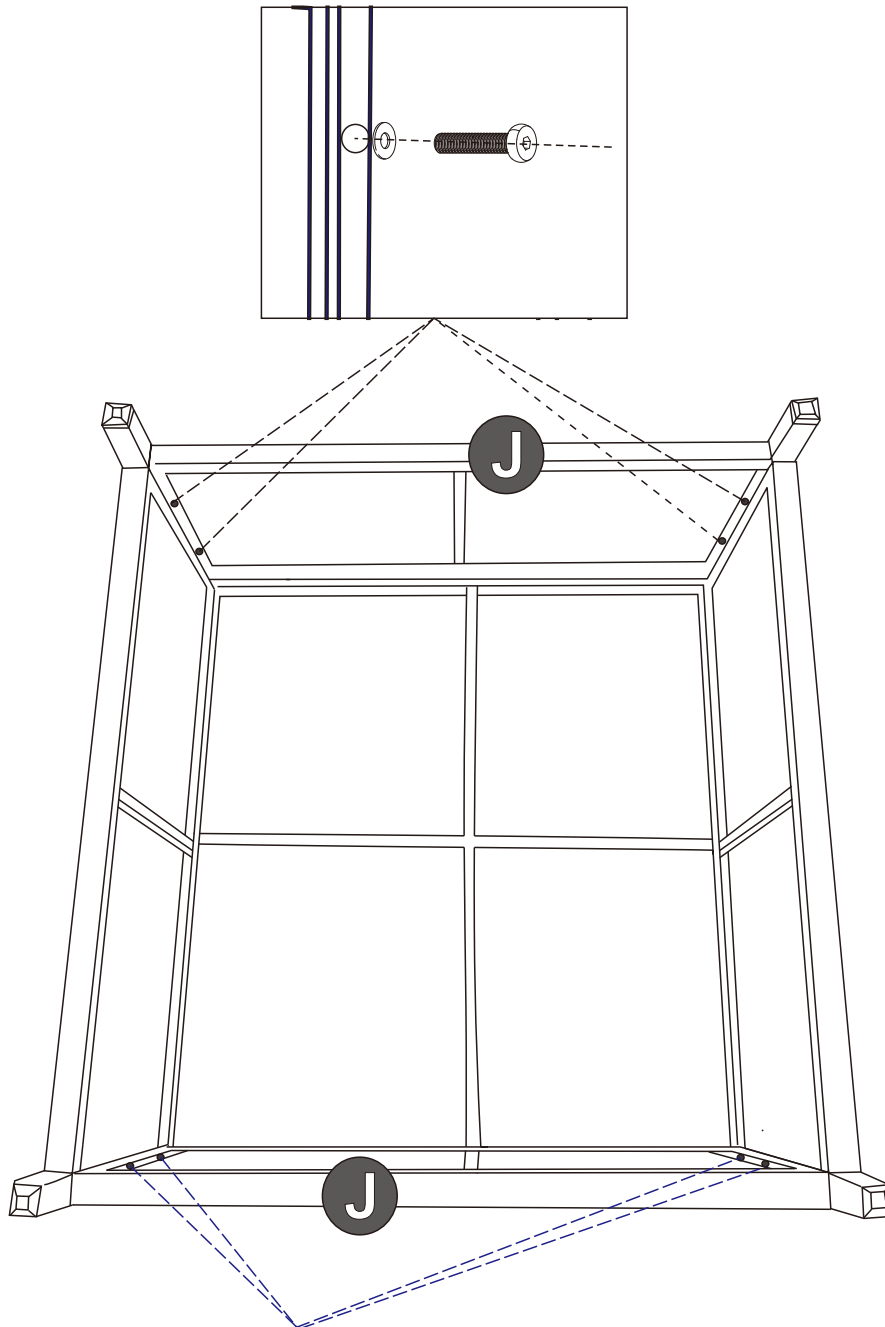
**Step 6:** Assemble the ottoman by attaching 2 pieces Part ( I ) to the panel ( H ) using screws.



	M6x30mm	S x 4
	Washer	L x 4
	M6 Allen Key	N x 1

**Caution:** Wait to tighten screws until assembly is complete for better alignment and stability.

**Step 7: Assemble the two side pieces ( J ) with the panel.**



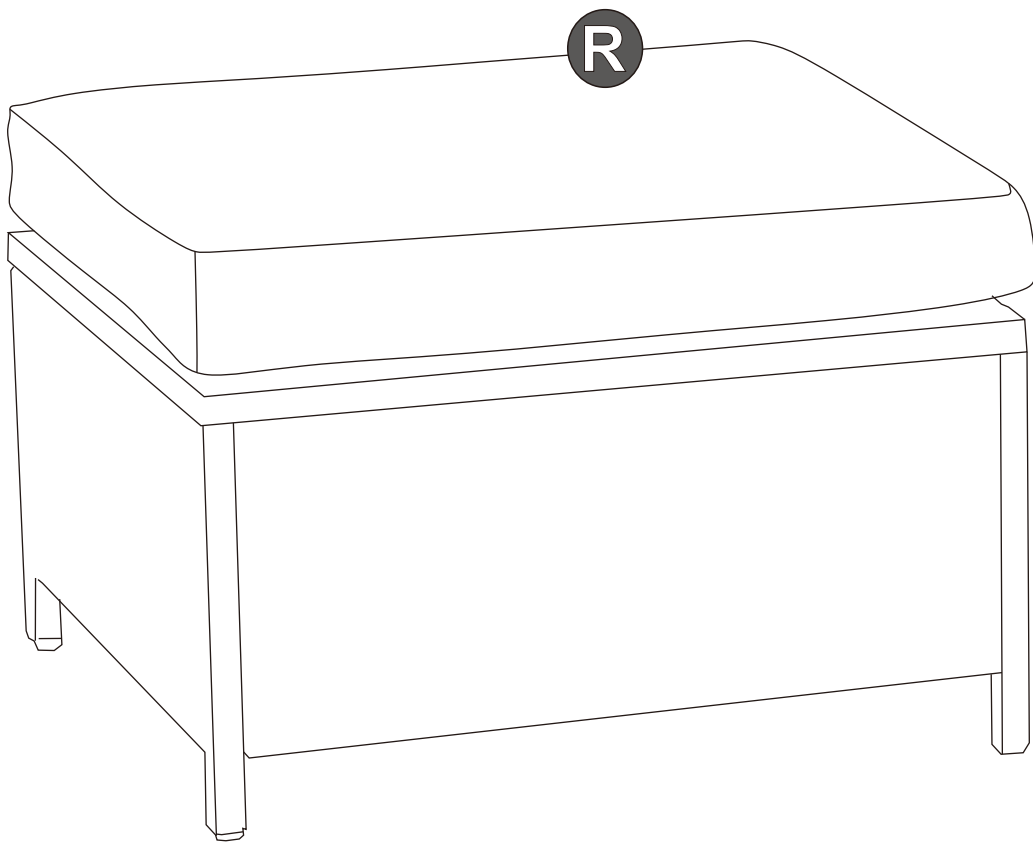
	M6x30mm	S x 8
	Washer	L x 8
	M6 Allen Key	N x 1

**Caution: Wait to tighten screws until assembly is complete for better alignment and stability.**

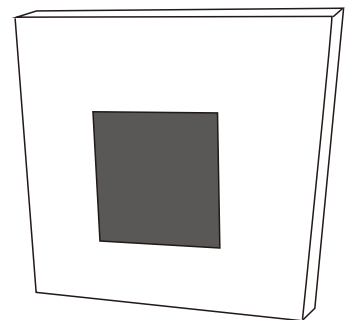
---

---

**Step 8:** Place the seat cushion ( R ) onto the ottoman.



**Note:** The ottoman cushion has a black anti-slip material on one side. Please place this side facing down.



**Note:** Repeat the above assembly steps twice to complete the assembly of the two ottomans.