

Assembly Instructions

Caution: You must read this before you proceed

Care & Maintenance



- Not for commercial use. For residential use only.



- Furniture may scratch floors. We recommend using furniture pads to protect your floors.



- Do not put hot items directly on furniture surface.



- Do not clean furniture with harsh cleansers or polish.



- Do not place furniture under direct sunlight.



- Do not place furniture near heating or cooling vents.



- Do not write on furniture without a padded barrier to protect the surface.



- Do not place furniture outside . For indoor use only.



- Stains may be removed with mild soap solution and damp cloth.



- Children should not climb or jump on the furniture.



- Dust and pick-up spills using a clean, non-colored, lint-free cloth.

QUEEN BED



WARNING !

STRANGGULATION HAZARD

NEVER place bed near windows where cords from blinds or drapes may strangle achild.

NEVER suspend strings over bed.

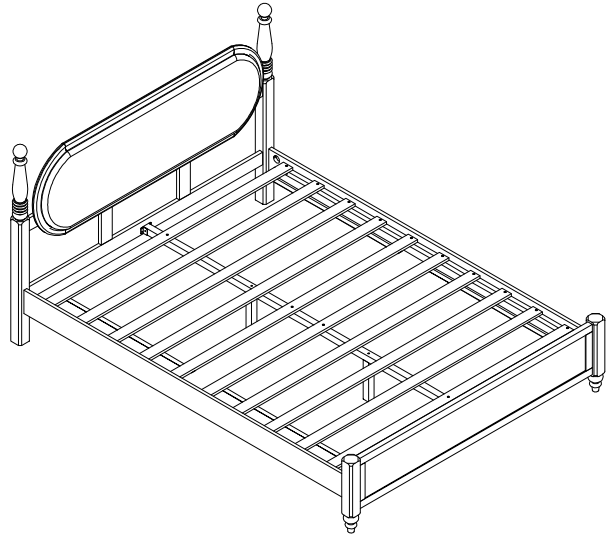
NEVER place items with astring, cord, or ribbon, such as hood strings or pacifercords, around a child's neck. These items may catch on bed parts.

ALWAYS follow assembly instructions.

Not intended for children under the age of six. INFANTS HAVE DIED FROMBECOMING ENTRAPPED IN BEDs. Openings in and between bed parts can entrapthe neck and head of a small child.

NEVER use bed for child under the age of six.

The mattress must be appropriately sized for the bed. If the mattress is undersizeddangerous gaps can exits and a person can become entrapped or entangled in the frame and suffocate





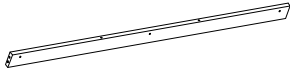
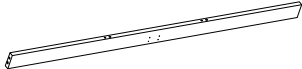
CAUTION: This Queen Bed is NOT a TOY.

Keep your child / children at bay in the process of assembly.

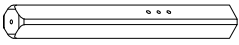



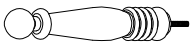
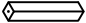

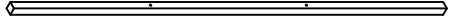
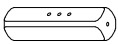



For turning the Queen Bed and to prevent damage to the Queen Bed.

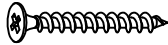
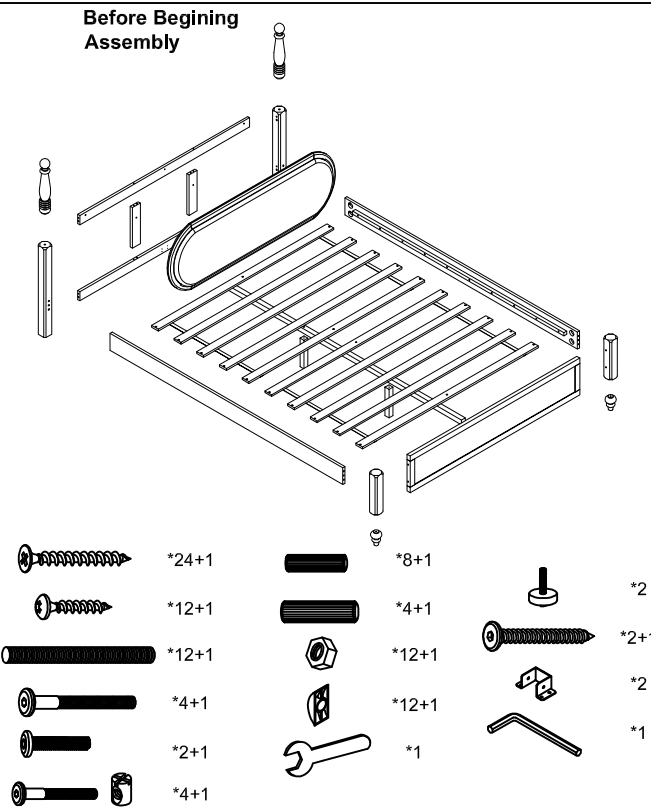














02 persons may be needed to execute this action.

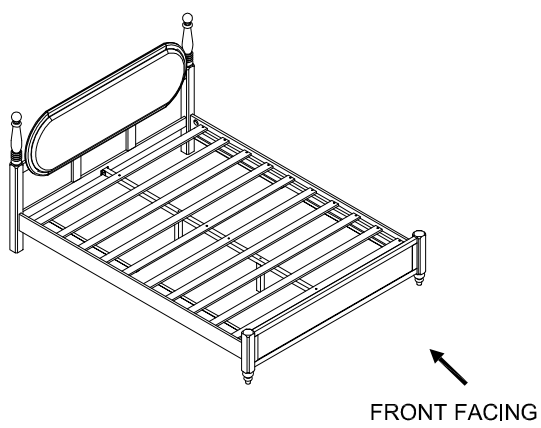
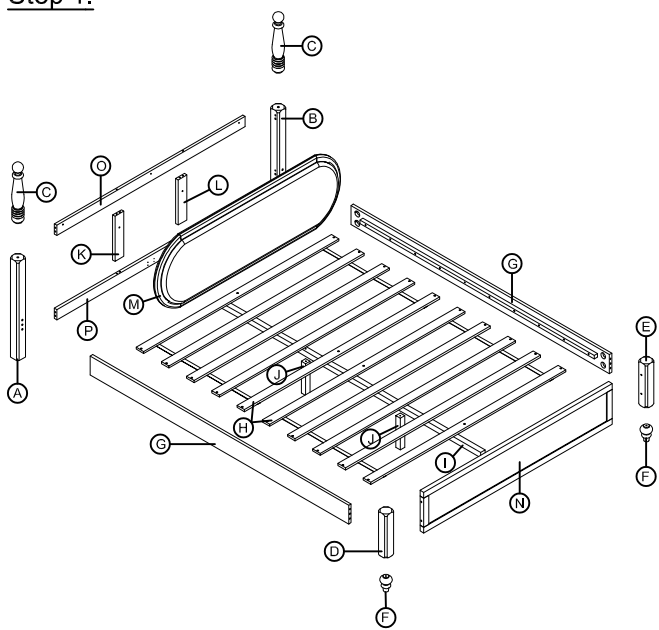
PART LIST (N770P379966)

M	 Frame headboard	1pc	N	 Bed frame	1pc
O	 Top crossbar headboard	1pc	P	 Bottom crossbar headboard	1pc

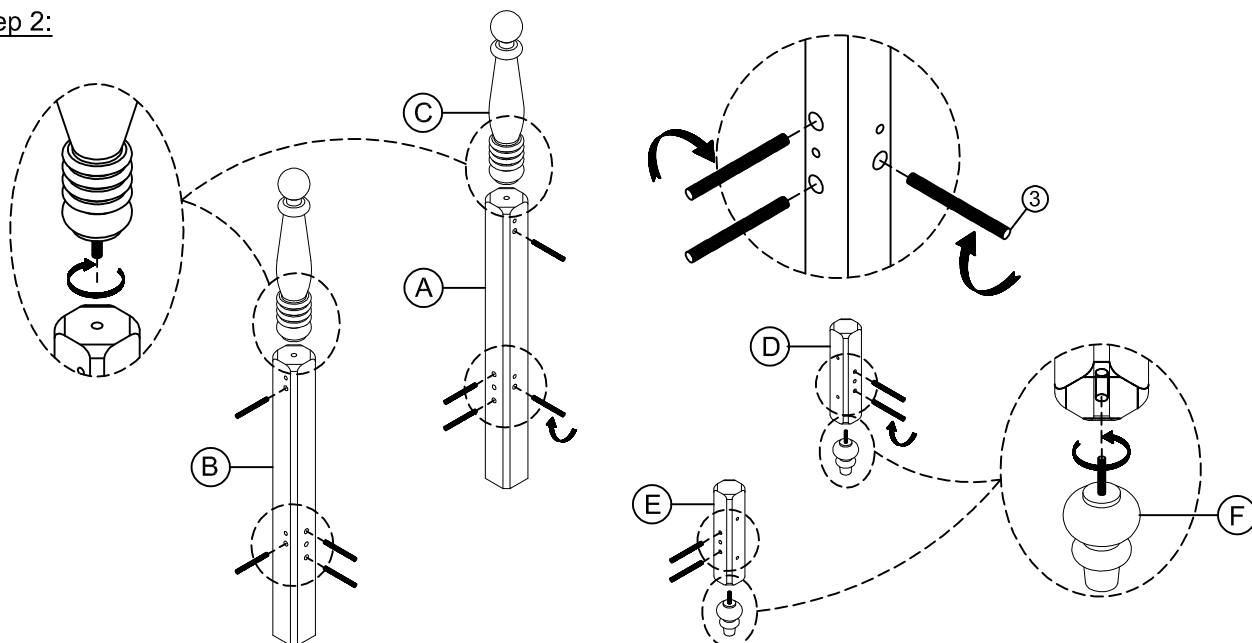
PART LIST (N770P379967/Hardware in this SKU)

A	 Left bottom headboard leg	1pc	G	 Side rails	2pcs
B	 Right bottom headboard leg	1pc	H	 Slats	2pcs
C	 Top headboard leg	2pcs	J	 Center rails support slats	2pcs
D	 Left top footboard leg	1pc	I	 Center rails support slats	1pc
E	 Right top footboard leg	1pc	K	 Left support headboard	1pc
F	 Bottom footboard leg	2pcs	L	 Right support headboard	1pc

Hardware (Each of the above hardware including extra 1 pc)				Assembly Preparation		
Label	Picture	Description	Q.ty	Before Beginning Assembly		
①		Vis Ø 4 x 30mm	24+1			
②		Vis Ø 4 x 15mm	12+1			
③		Insert net M8 x 70mm	12+1			
④		Bolt M6 x 65mm	4+1			
⑤		Bolt M6 x 35mm	5+1			
⑥		Bolt M6 x 110mm	4+1			
⑦		Wooden dowel Ø8 x 30 mm	8+1			
⑧		Wooden dowel Ø10 x 40 mm	4+1			
⑨		Hex nut M8 x 6 mm	12+1			
⑩		Half moon washer 27 x 14 x 7 mm	12+1			
⑪		Open wrench 90 x 12 mm	1			
⑫		Leveler M6 x 25 mm	2			<ul style="list-style-type: none"> • Read instruction, cover to cover. • Have 2 adults on hand for assembly. • Do not assemble on flooring or carpet. • Assemble on a clean non-marring surface (packing foam). • Save all packaging until finished.
⑬		Bolt M6 x 80mm	2+1			
⑭		Metal link 66 x 35 x 27 mm	2			
⑮		Allen wrench	1			

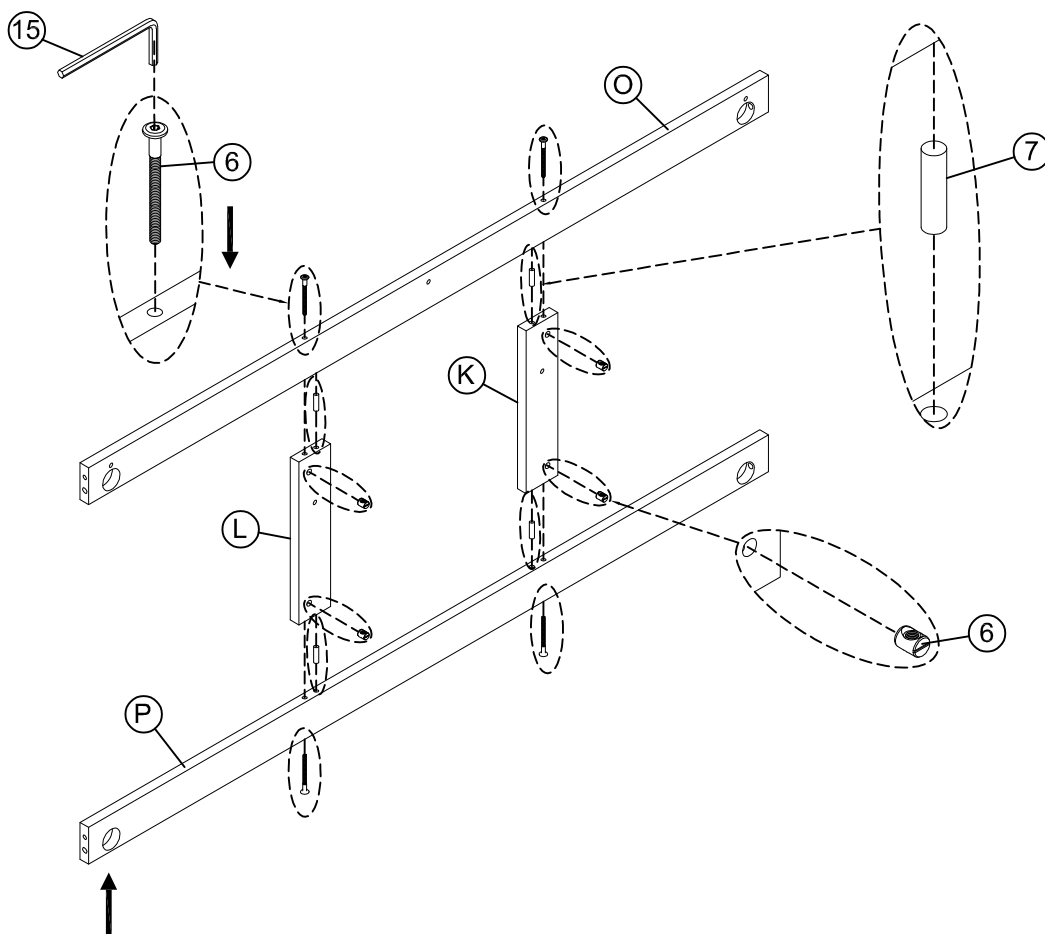
Assembly Preparation	
<p>Overview</p>  <p style="text-align: center;">FRONT FACING</p> <p>This Queen Bed has multiple parts and may require up to 1 hour to assemble. To give you an overview of the Queen Bed parts, the above picture is to help you put the various parts into perspective. Please read through the instructions herebelow to familiarise the parts and steps before assembly.</p>	<p>Step 1:</p>  <p>Unpack and place all part on a clean, non-marring surface.</p>

Step 2:



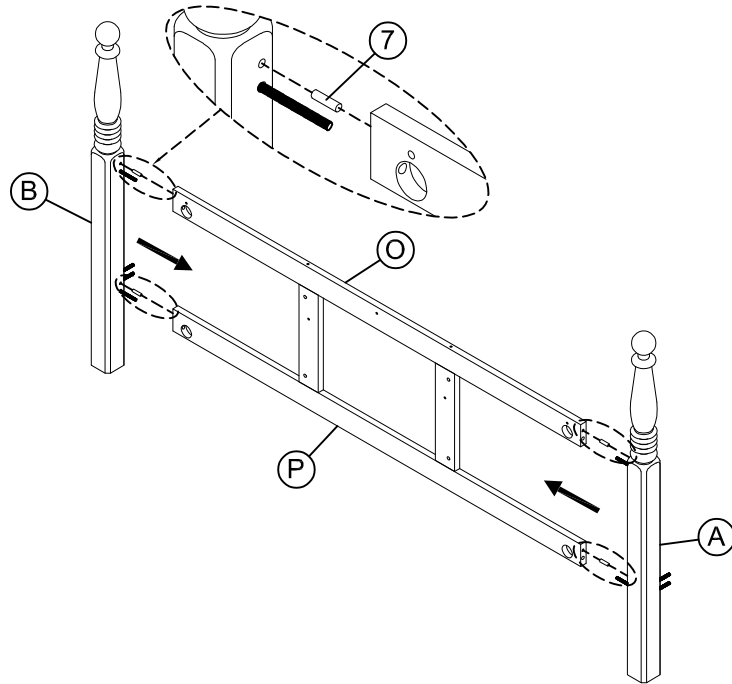
- Attach Insert net ③ with Left-Right bottom headboard leg (A)(B) and Left-Right top footboard leg (D)(E) as shown.

Step 3:



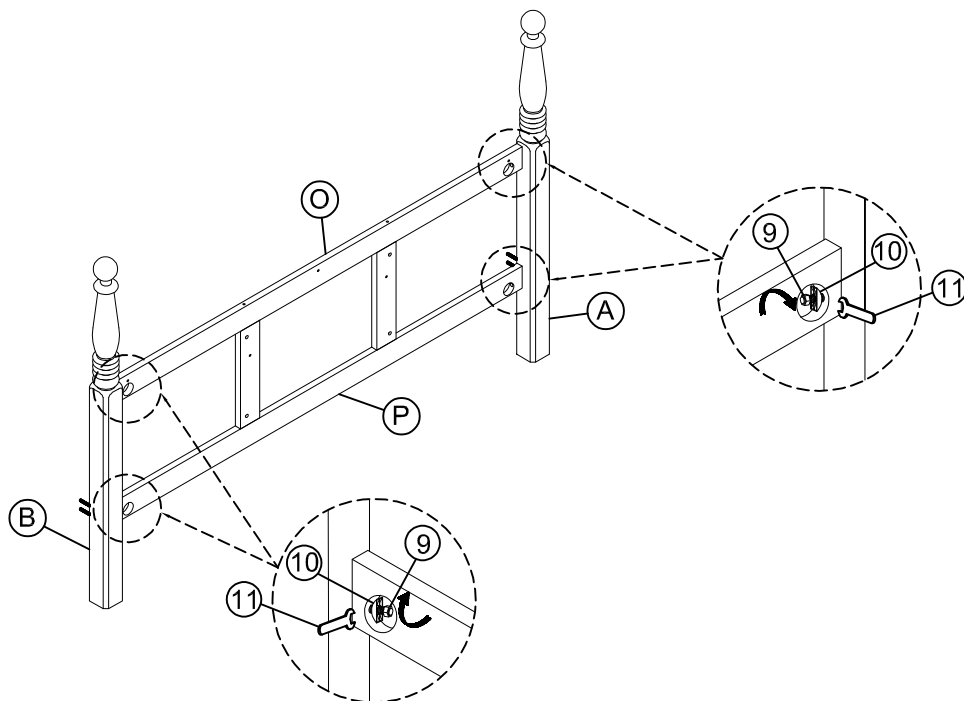
- Attach Top Crossbar headboard (O) and Bottom Crossbar headboard (P) connect to vertical column support headboard Left (K) and support headboard Right (L) using Wooden dowel ⑦, set Bolt ⑥ with Allen Wrench ⑮ as shown.

Step 4:



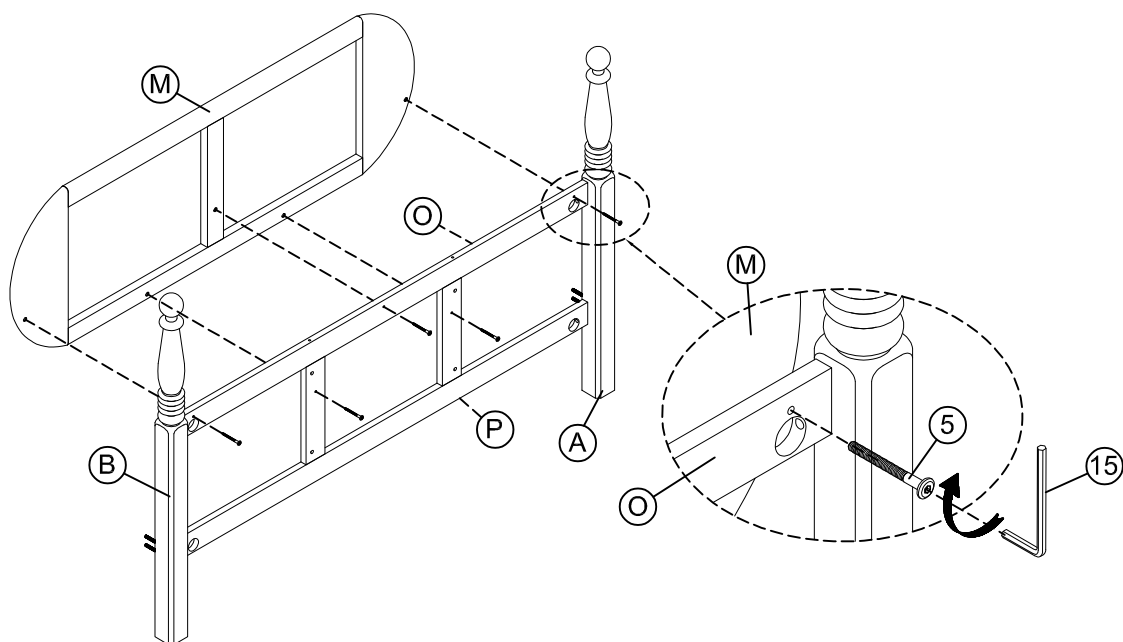
- Form the Left-Right bottom headboard leg (A)(B) and Top Crossbar headboard (O) and Bottom Crossbar headboard (P) cluster by Wooden dowel (7) as shown.

Step 5:



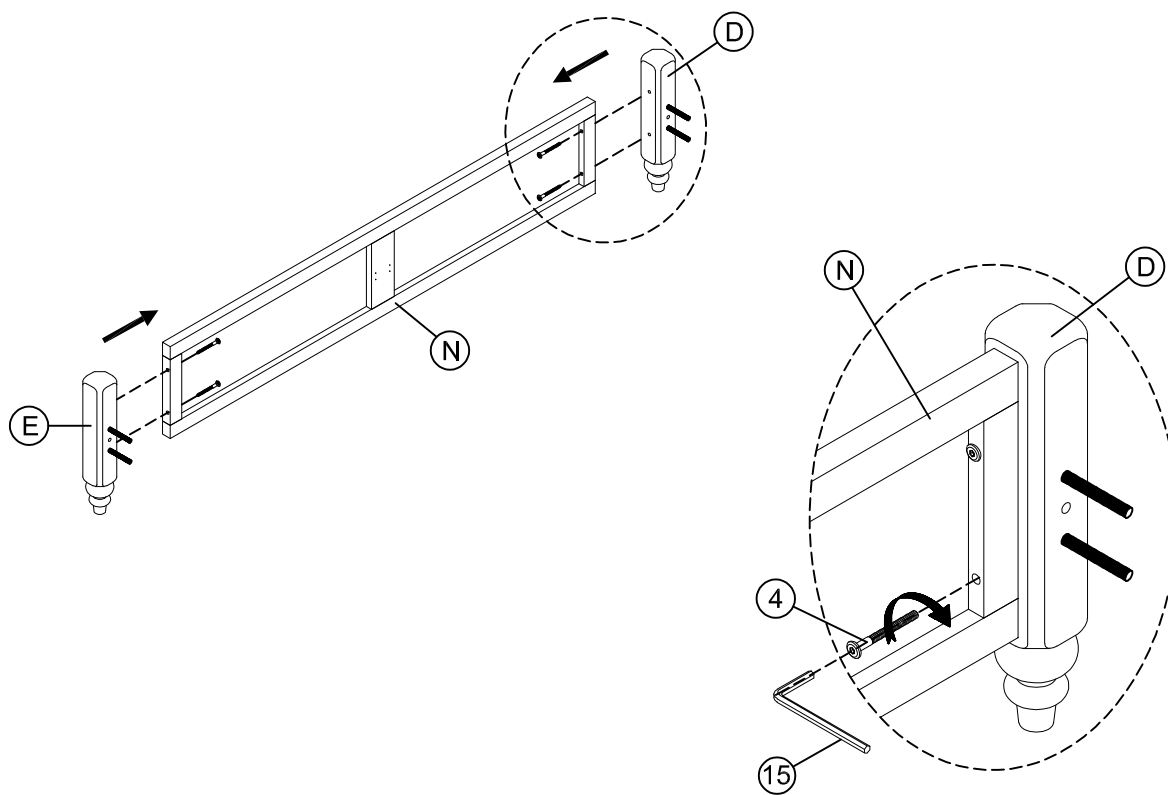
- Next, use Half moon washer (10) set the correct direction as shown and Hex nut (9) with Open wrench (11) squeeze them together.

Step 6:



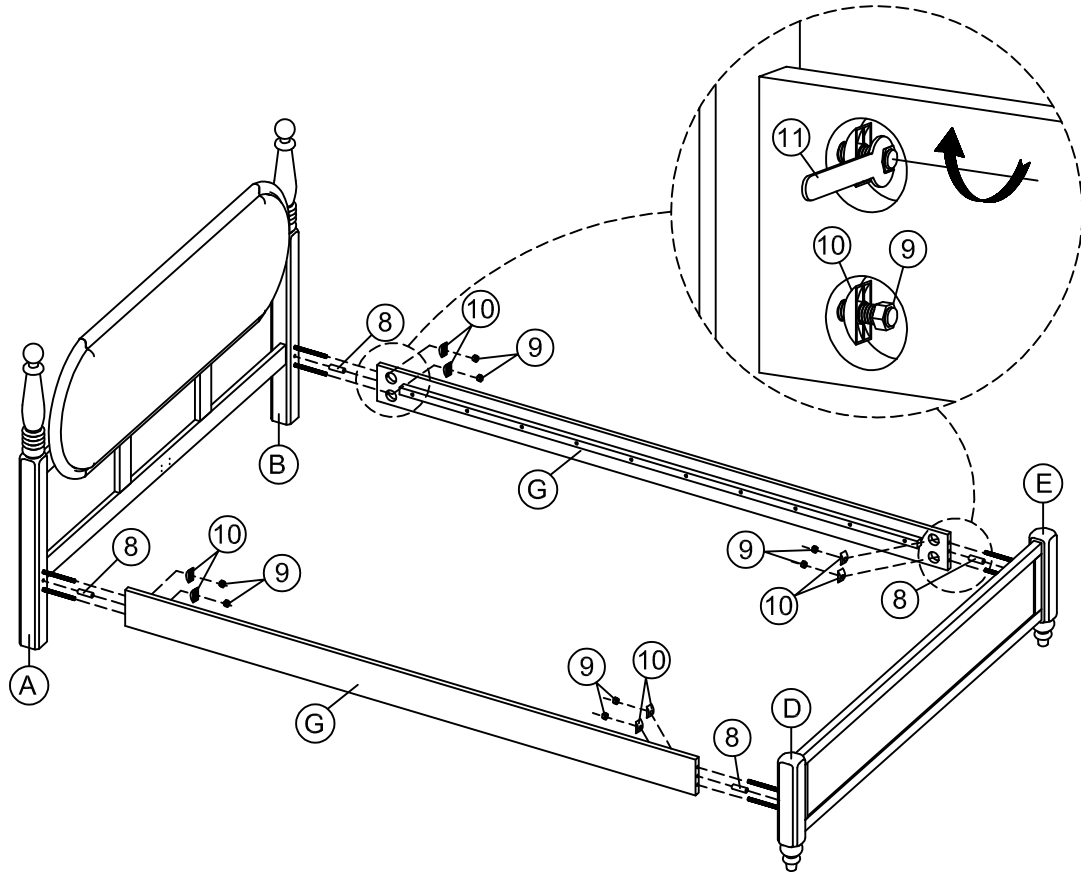
- To complete the headboard, take the plate the Frame headboard(M), place it on the Top-Bottom crossbar headboard(O)(P), use the Bolt(5) with Allen Wrench(15) as shown, squeeze them together.

Step 7:



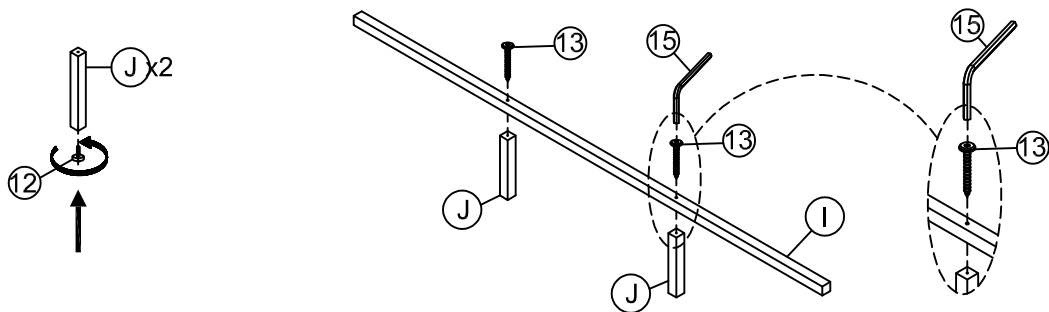
- To finish the Bed end, take the Left-Right top footboard leg (D)(E), install them in the correct direction as shown, connect them to the Bed frame (N), use Bol(4) with Allen Wrench(15) tighten them together.

Step 8:



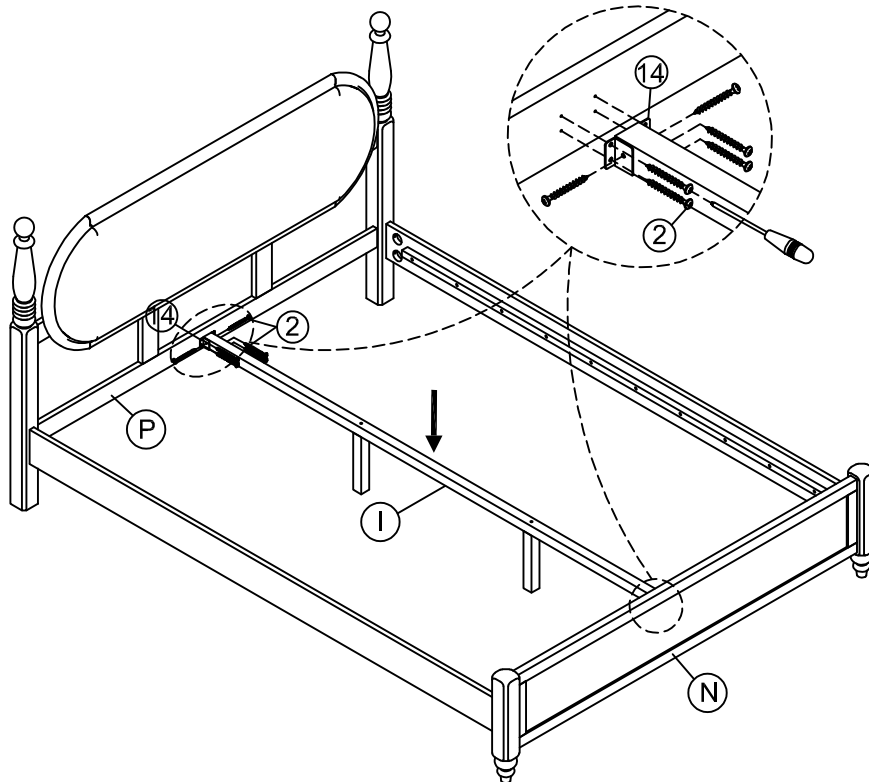
- Attach side rails (G) to the Left-Right bottom headboard leg (A)(B), Left-Right top footboard leg (D)(E), using Wooden dowel(8), Hex nut(9), Half moon washer(10) with Open wrench(11) as shown.

Step 9:



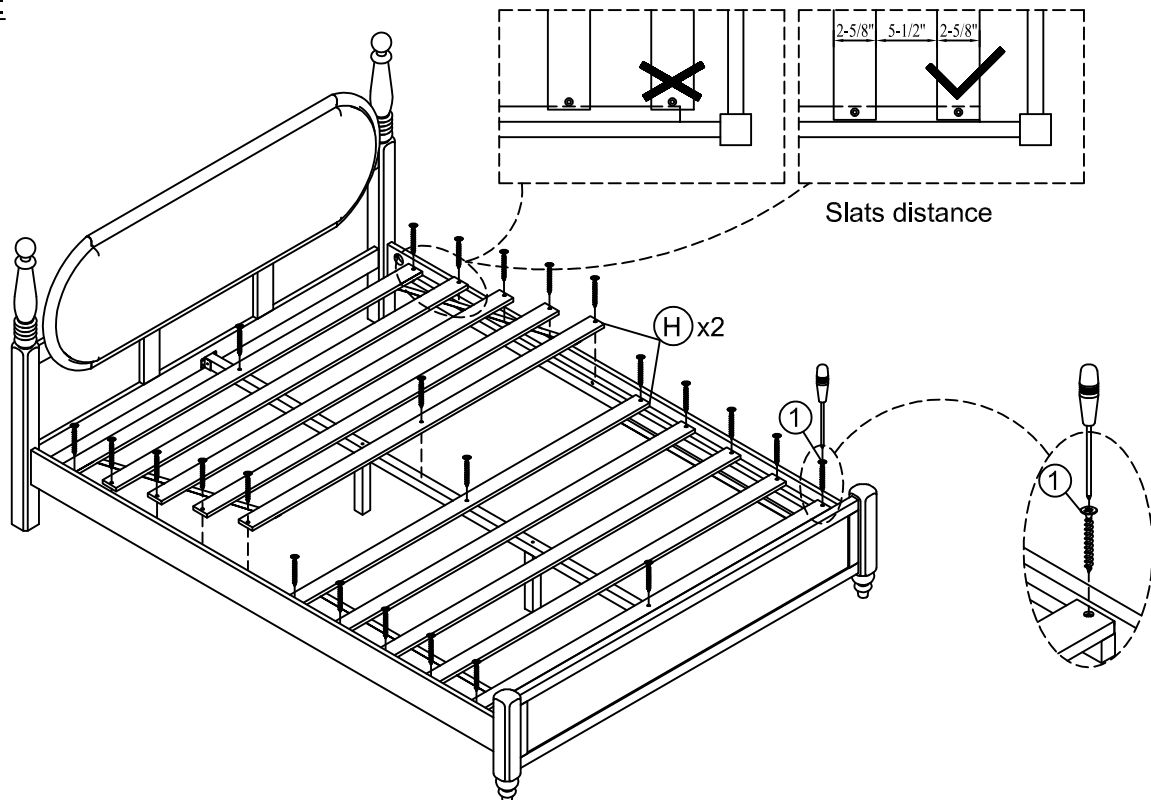
- Attach Level (12) with Center rails support slats (J) as shown.
- Attach Center rails support slats (J) to the Center rails support slats (I) using Bolt (13) with Allen Wrench (15) as shown.

Step 10:

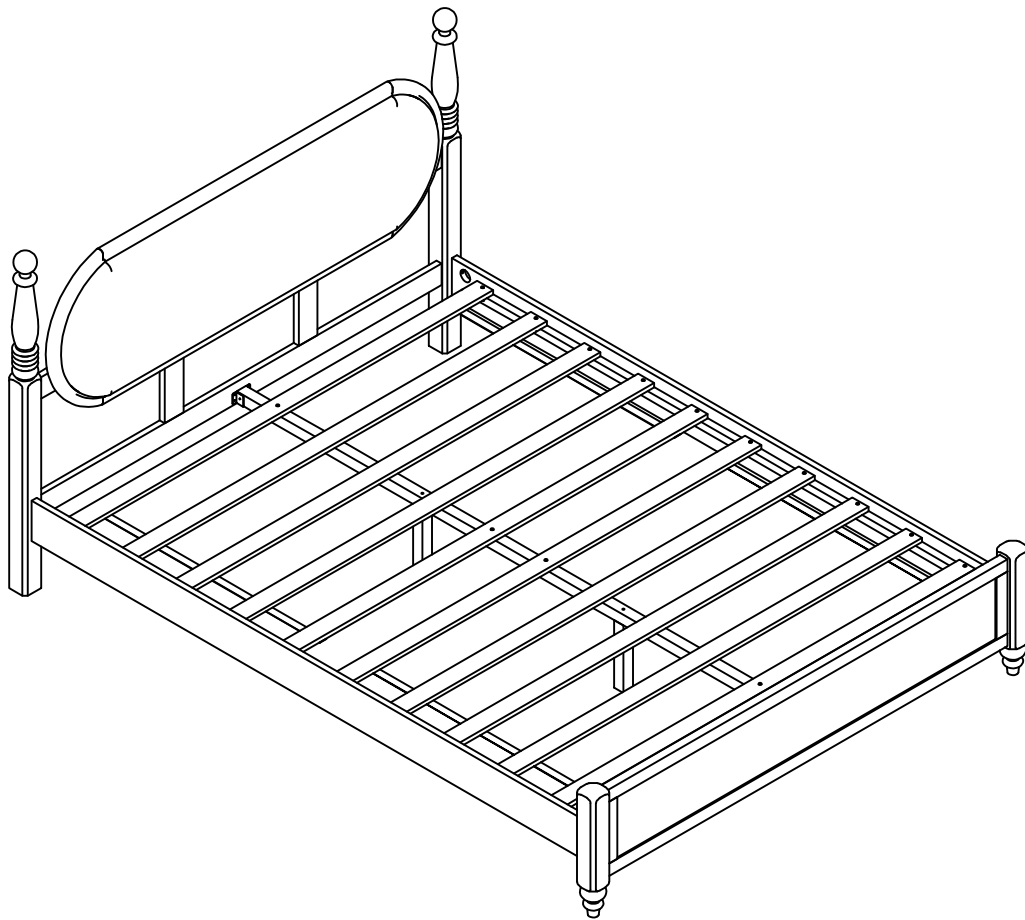


- Attach Metal link ⑭ with Center rails support slats (I) later attach to the Bed frame (N), Bottom Crossbar headboard (P) using Vis②Screwdriver as shown.

Step 11:



- Attach Slats (H) to the side rails (G) and Center rails support slats (I) using Vis①Screwdriver as shown.



Inspect the Bed and make sure all parts are adequately connected.

Adjust the Levelers to desired height to avoid wobbles.

Your bed is ready for use.

CARE INSTRUCTIONS:

Hardware may loosen overtime. Periodically check that all connections are tight.

Wipe with a soft, dry cloth. To protect finish, avoid the use of chemicals and household cleaners.