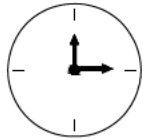
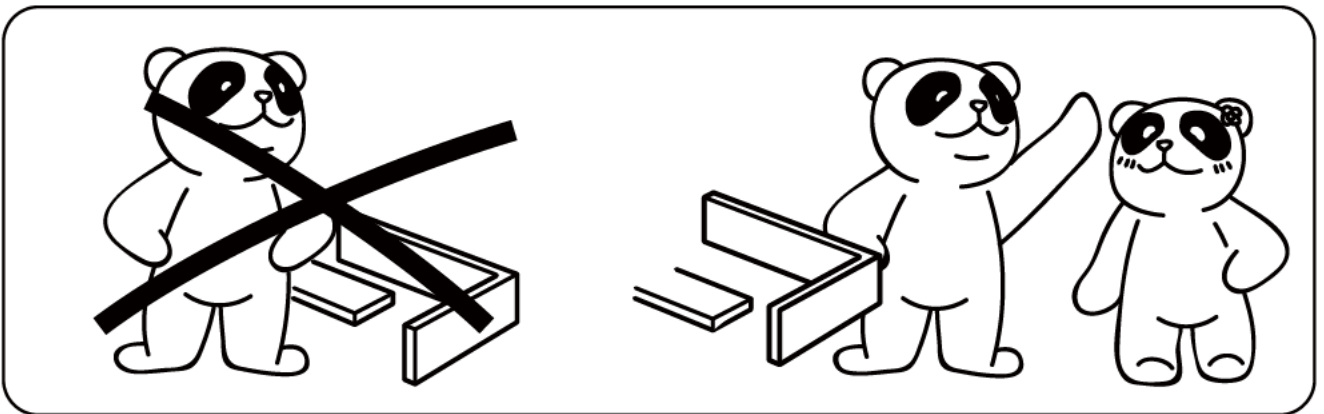
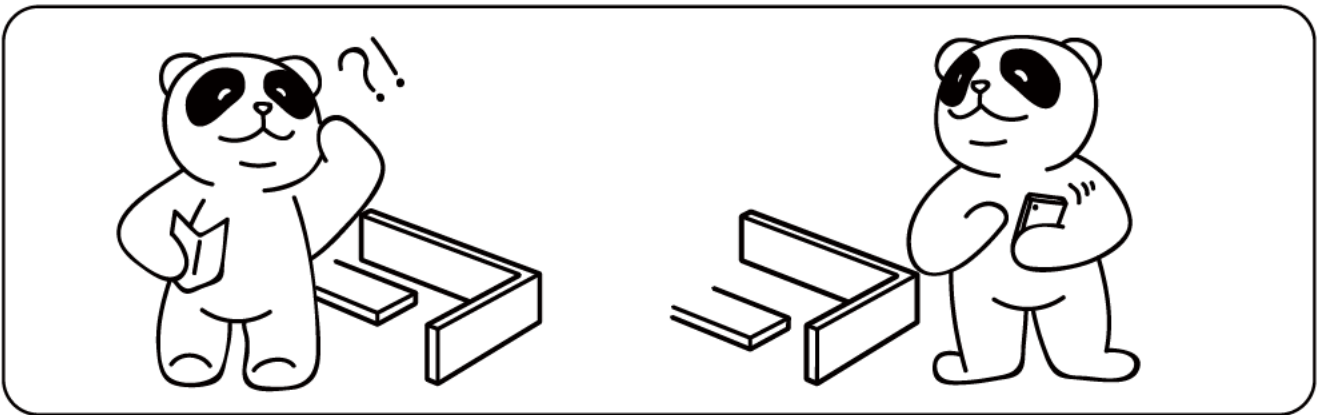
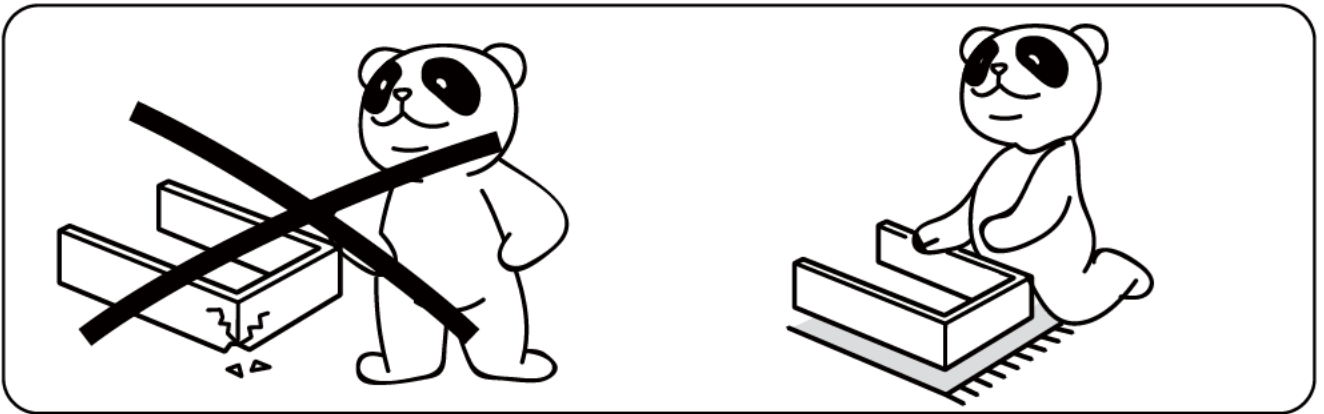
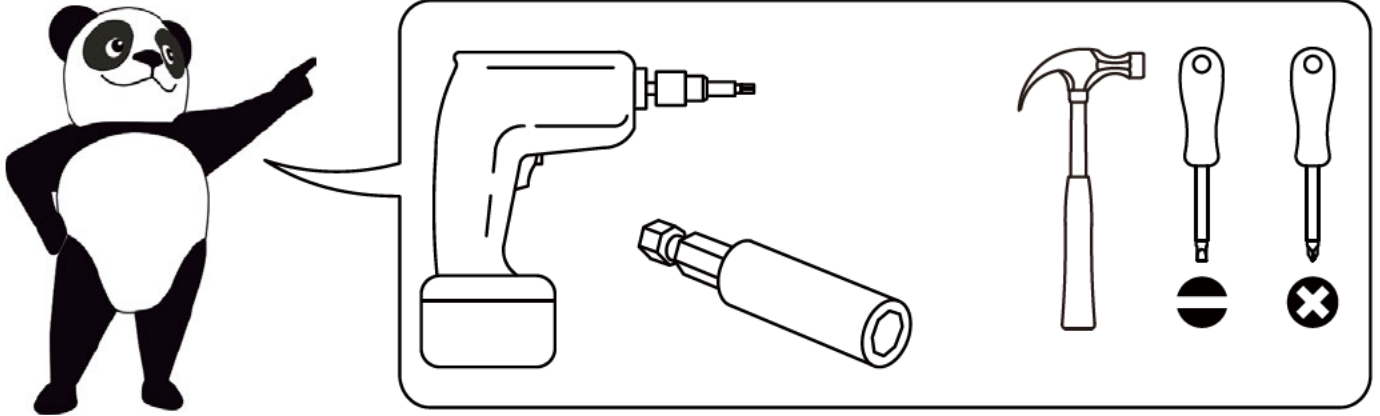


2 PERS.



120 MIN

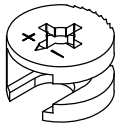


Installation Parts



A YG05006

x20(+1)
Ø6x35mm



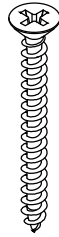
B YG05008-1

x20(+1)
Ø15x10mm



C YG05054

12(+1)
Ø6x25mm



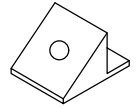
D YG05055

x12(+1)
Ø4x38mm



E YG05017-2

x26(+2)
Ø3x12mm



YG05025-2

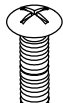
F

x6



G YG05016-2

x6
Ø3x16mm



H YG05057

x4
Ø4x15mm



I YG05058

x4
Ø12mm



J YG05027

x2
Ø6x30mm



K YG05015-2

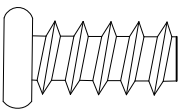
x4
Ø3.5x12mm



YG05030

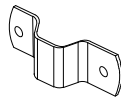
L

x2

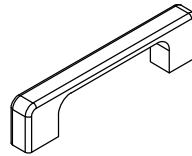


M YG05046
x2

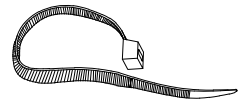
Ø1/4x19mm



N YG05047
x2



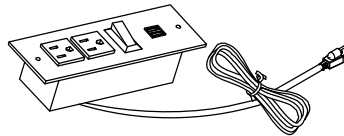
O YG04002-3
x2



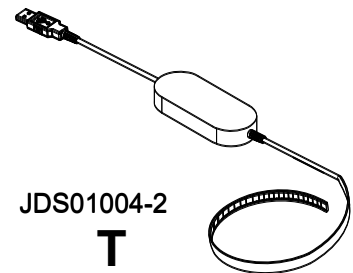
P YG05048
x1



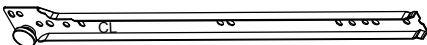
R YG05038
x1



BY01002-2 **S**
x1

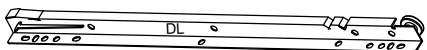


JDS01004-2
T
x1



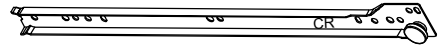
CL YG02003-2
x2

L300mm



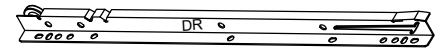
DL YG02003-2
x2

L300mm



CR YG02004-2
x2

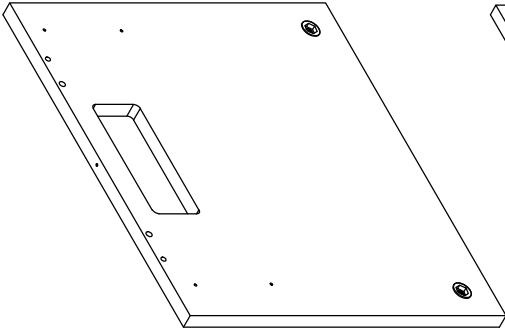
L300mm



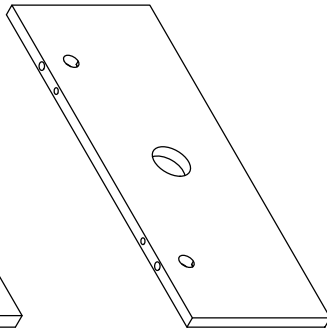
DR YG02004-2
x2

L300mm

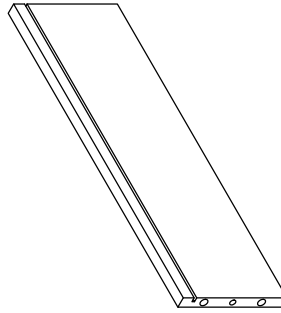
Mounting frame



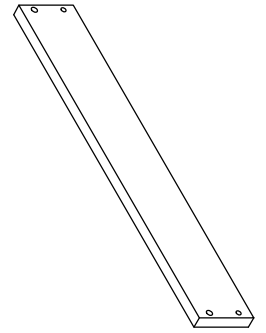
1
x1



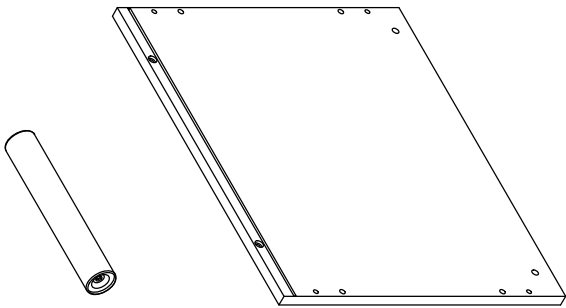
2
x1



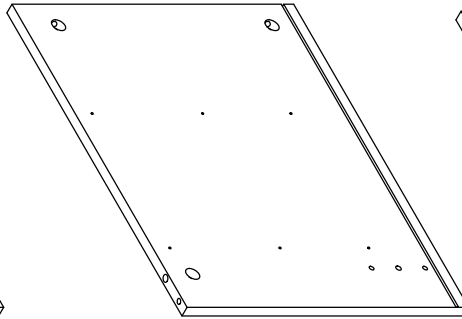
3
x1



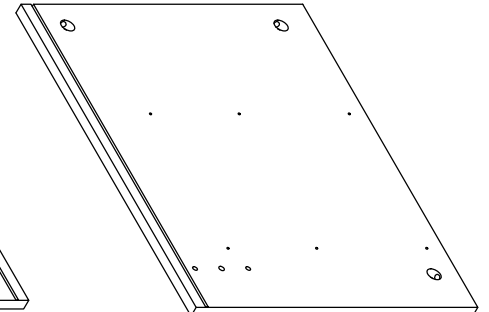
4
x1



5
x2

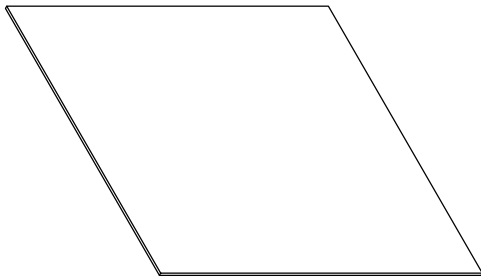


6
x1



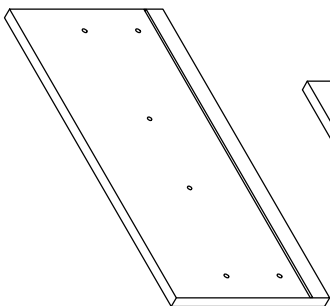
7
x1

8
x1

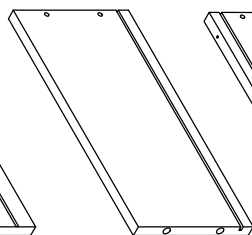


9
x1

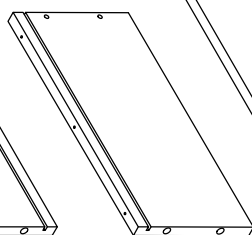
Drawer board



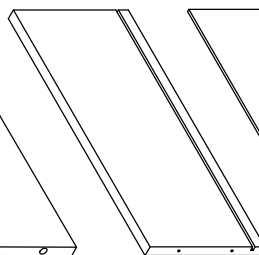
10
x2



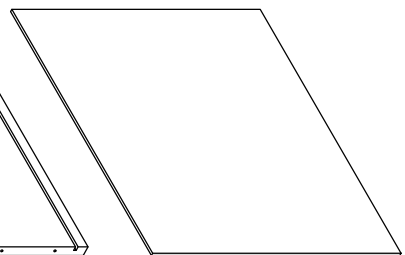
11
x2



12
x2



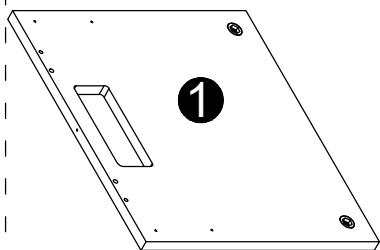
13
x2



14
x2

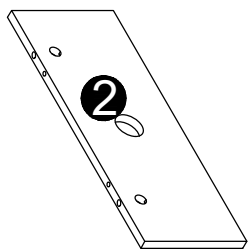
Please place all the boards in the order shown in the picture below, the installation will be easy and smooth.

Mounting framze



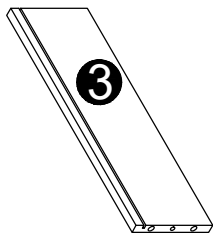
1

x1



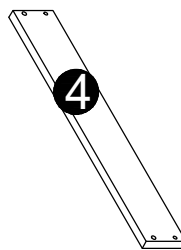
2

x1



3

x1



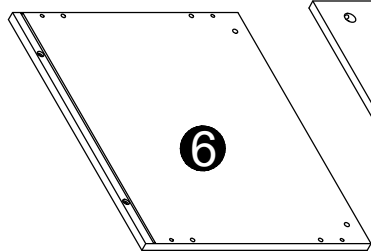
4

x1



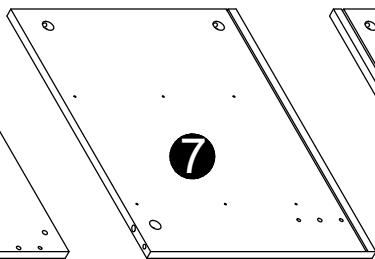
5

x2



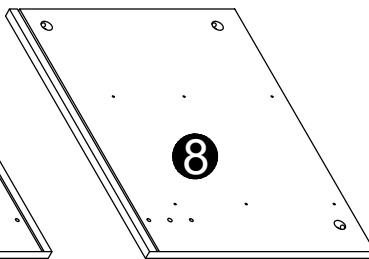
6

x1



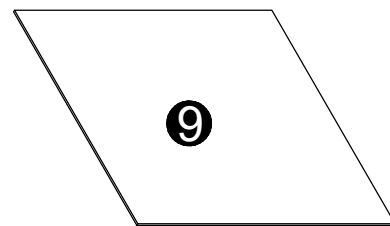
7

x1



8

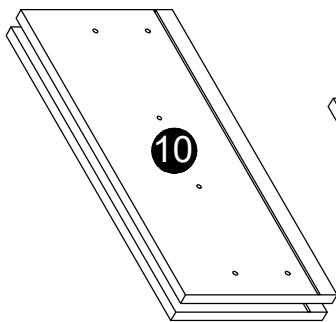
x1



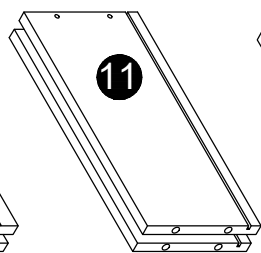
9

x1

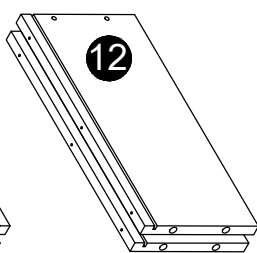
Drawer board



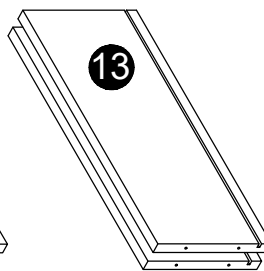
10



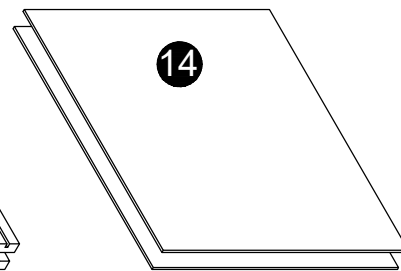
11



12

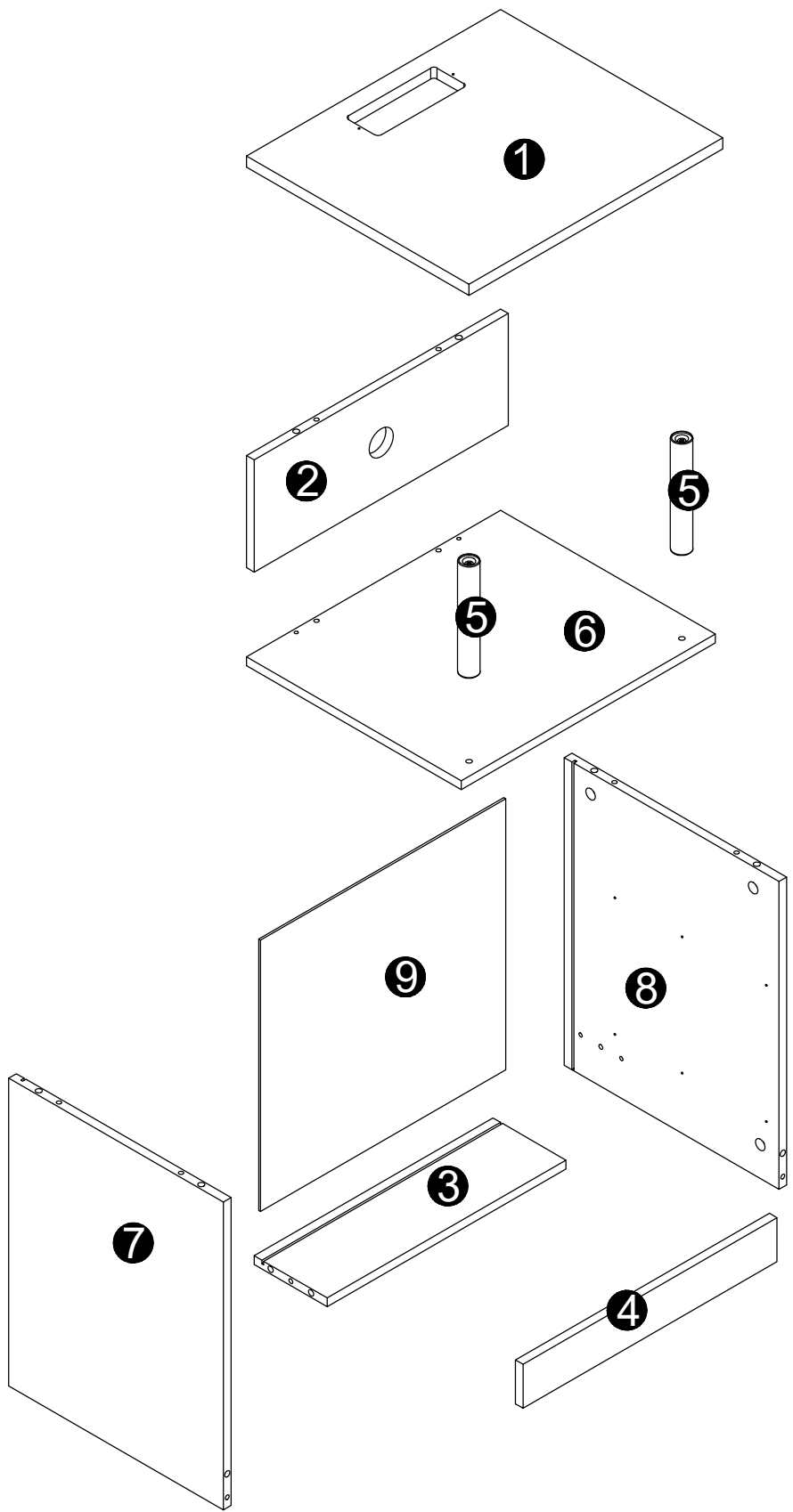


13

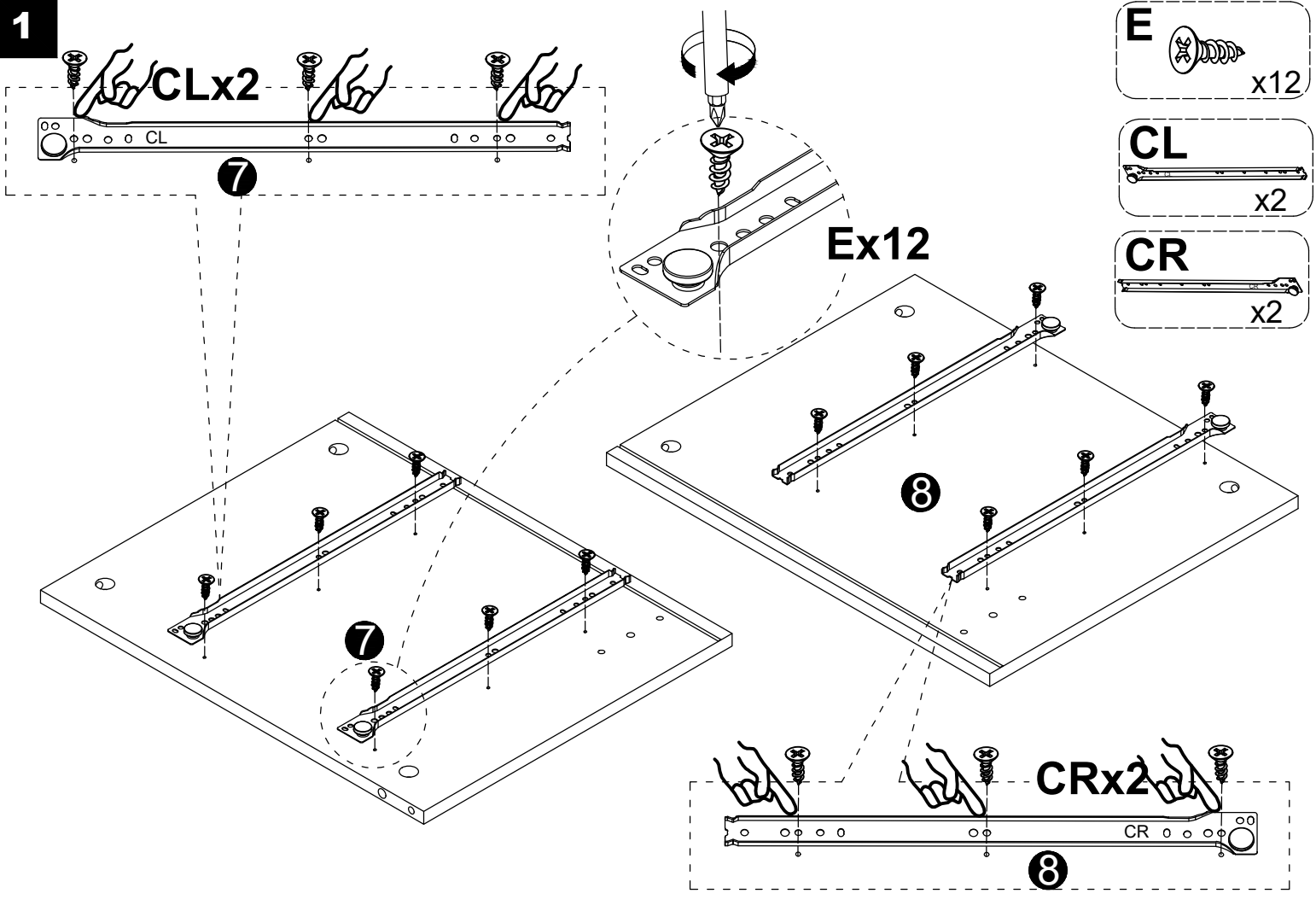


14

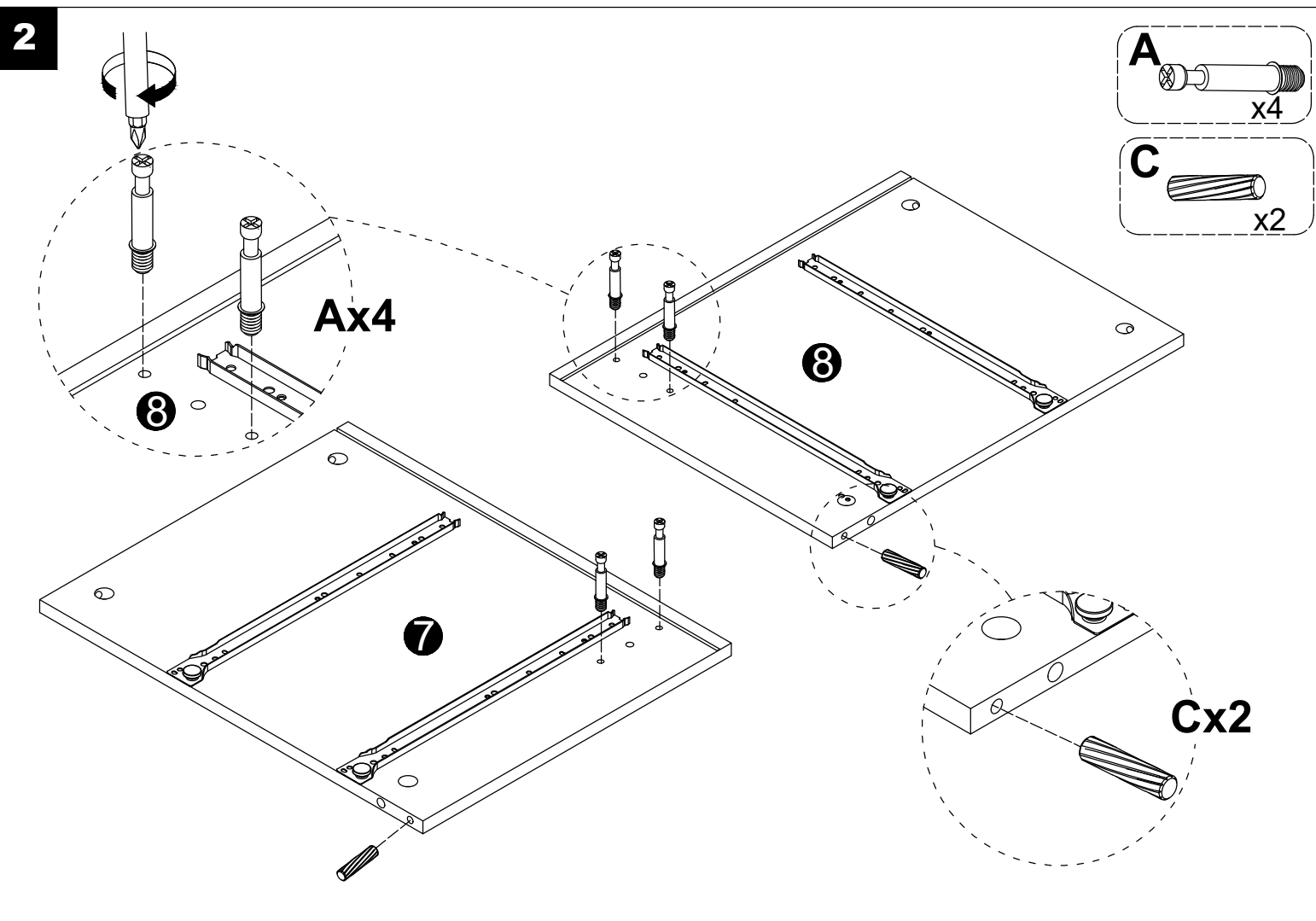
Please use each screw in strict accordance with the instructions.



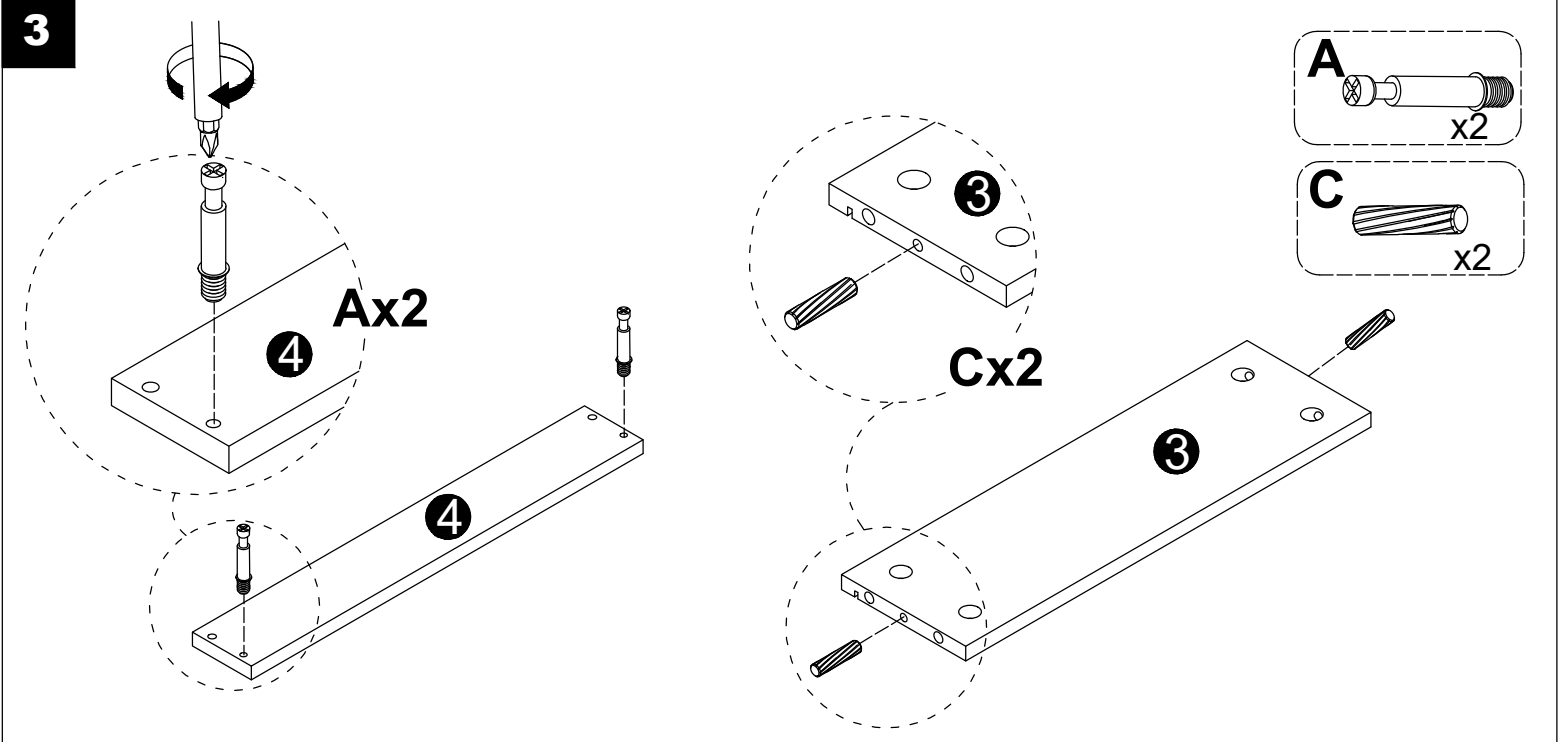
1



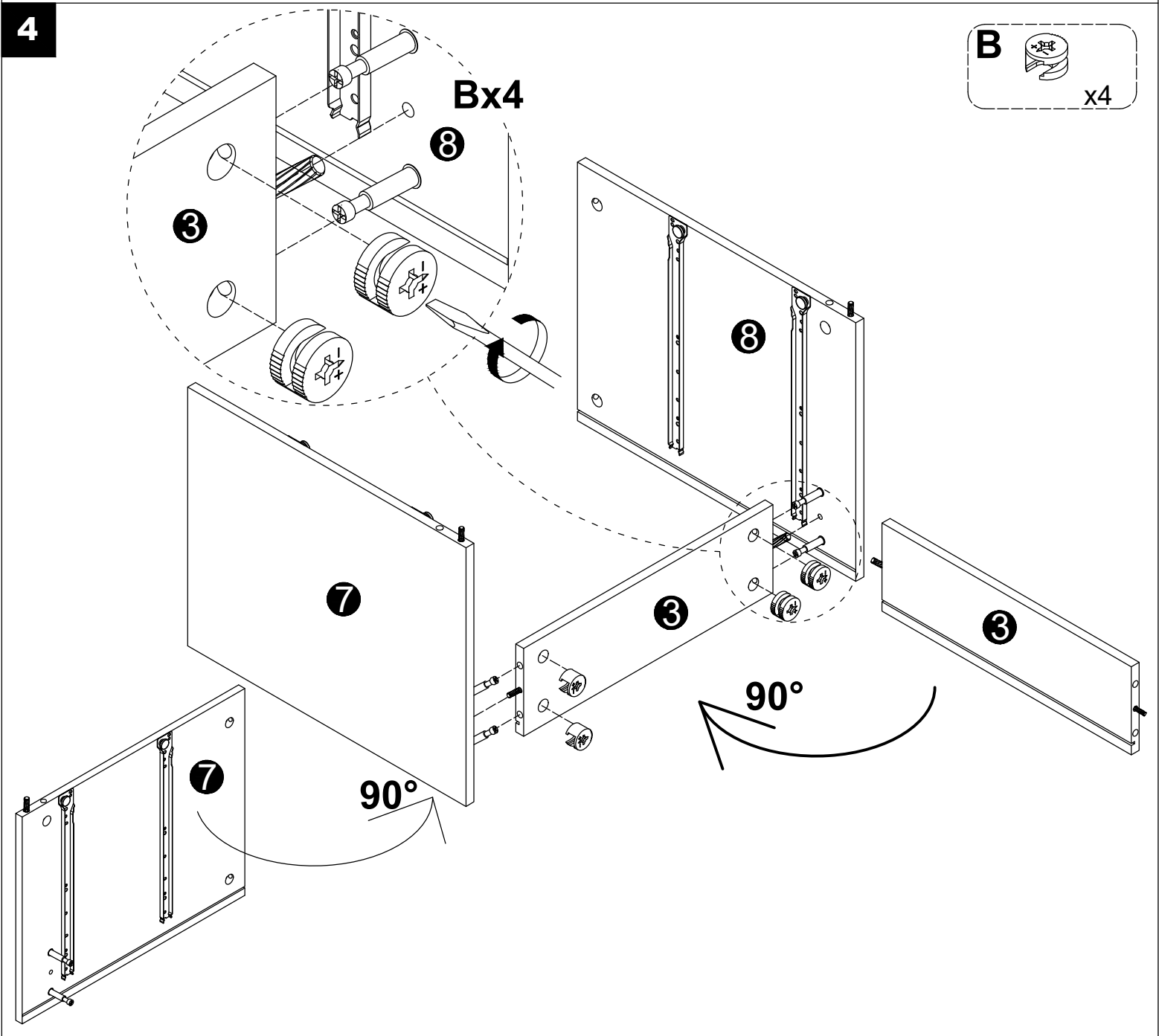
2



3

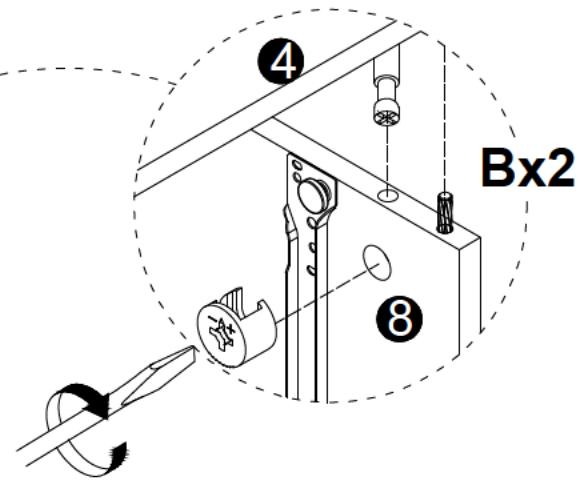
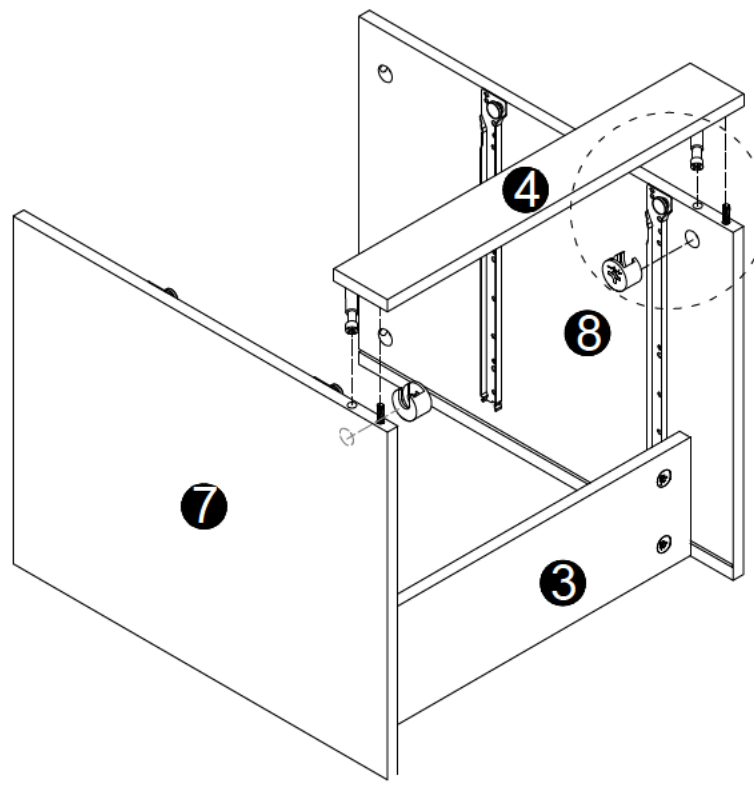


4




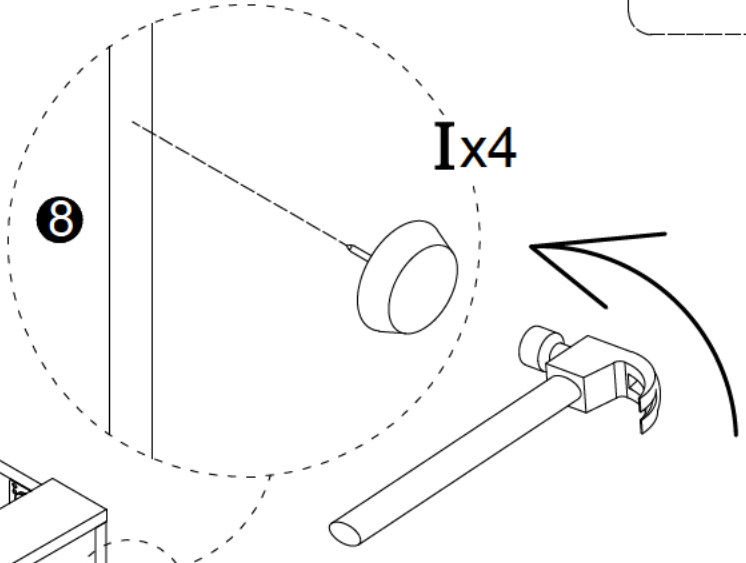
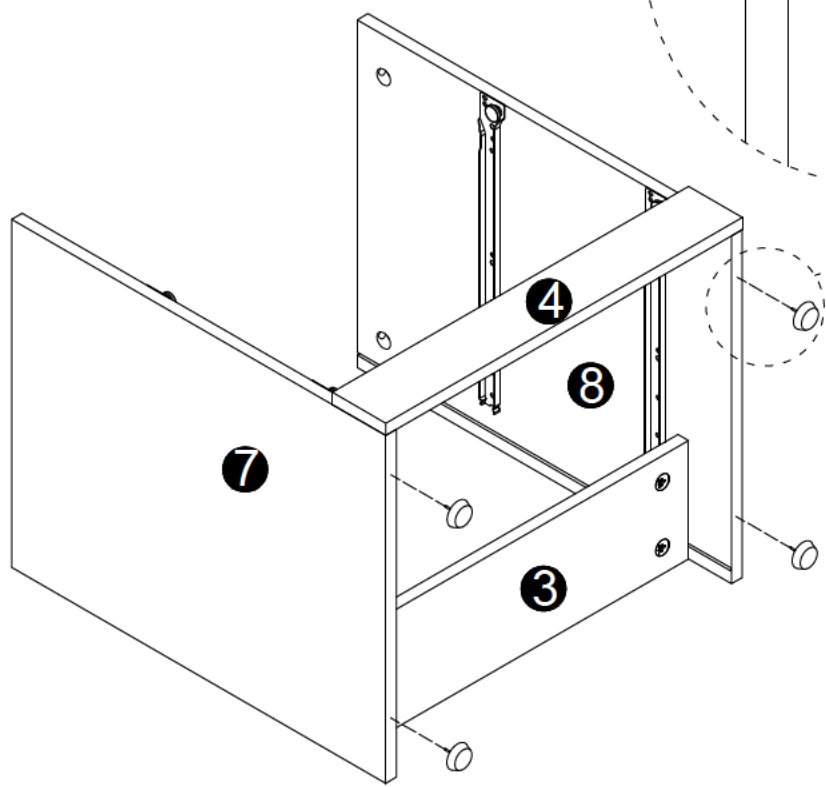
5

B  x2

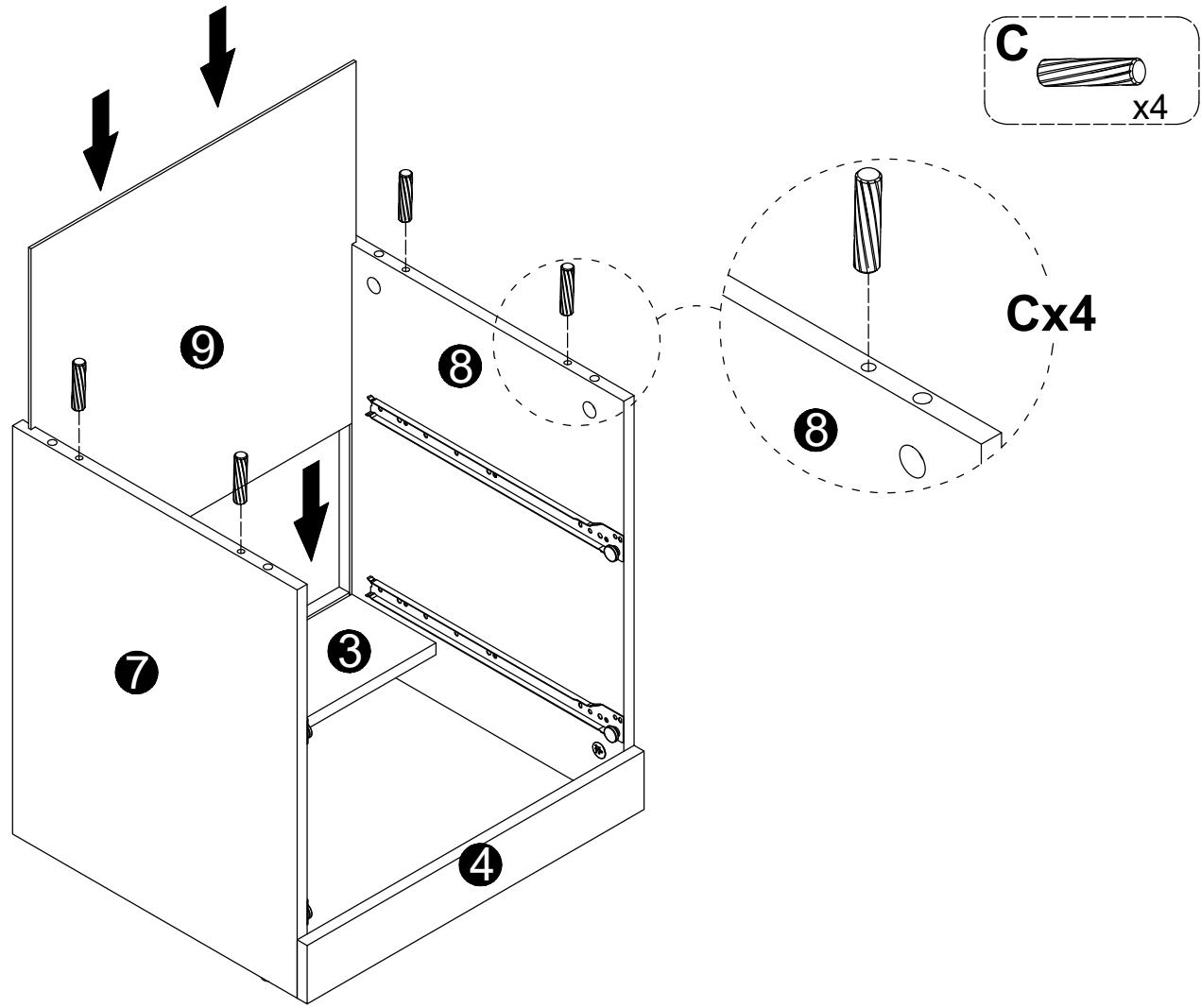


6

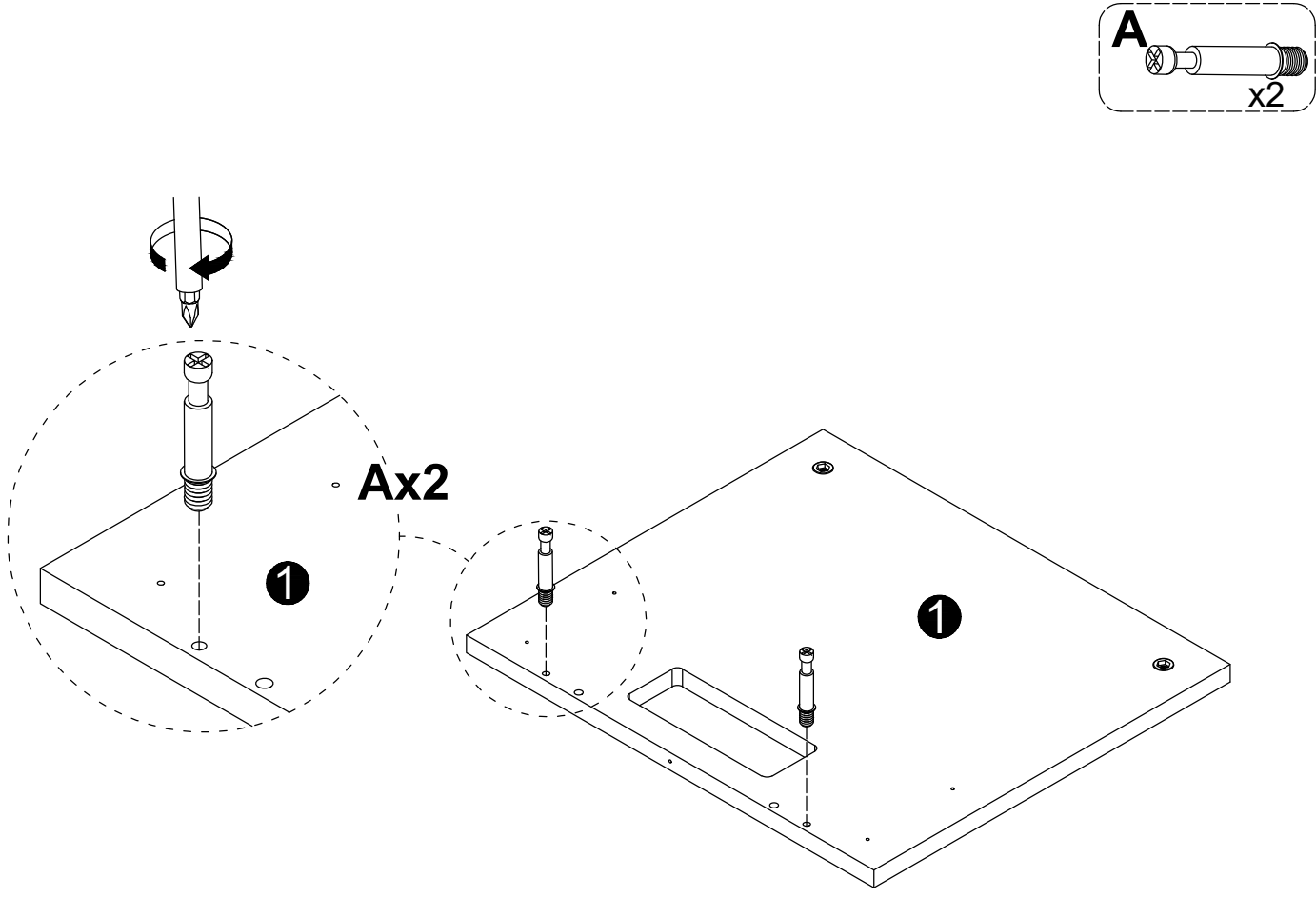
I  x4



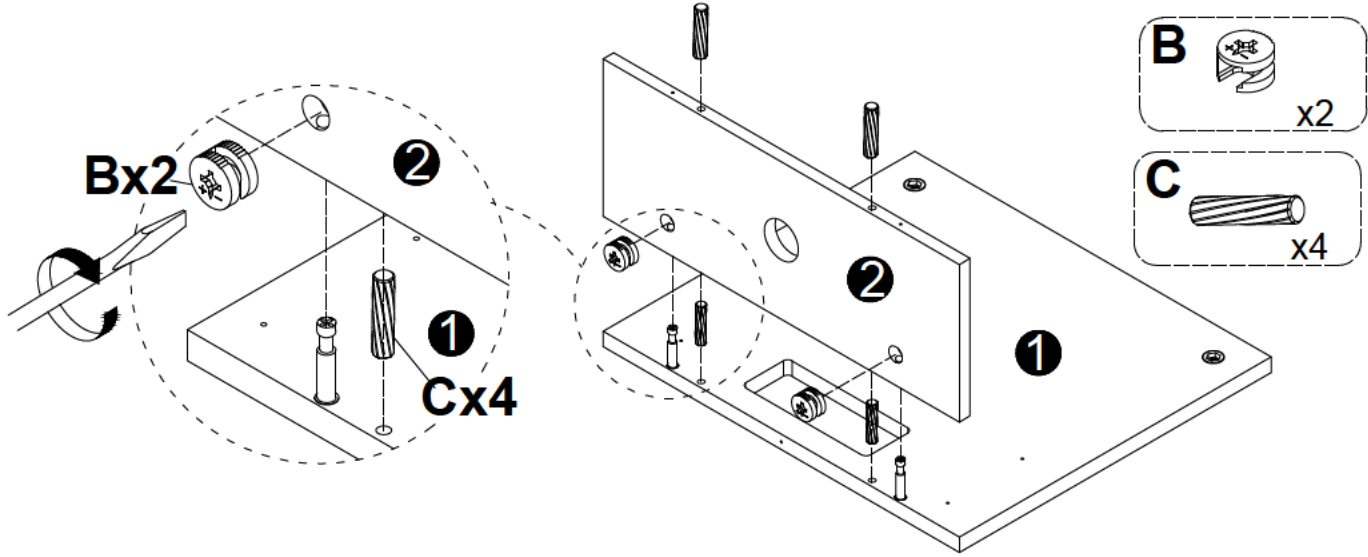
7



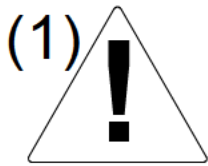
8



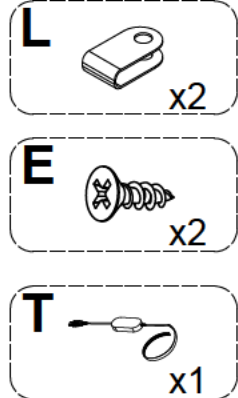
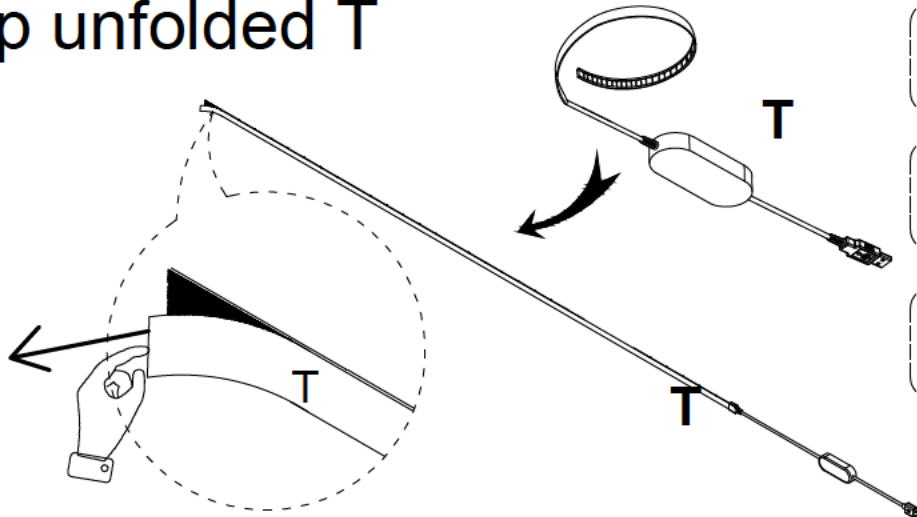
9



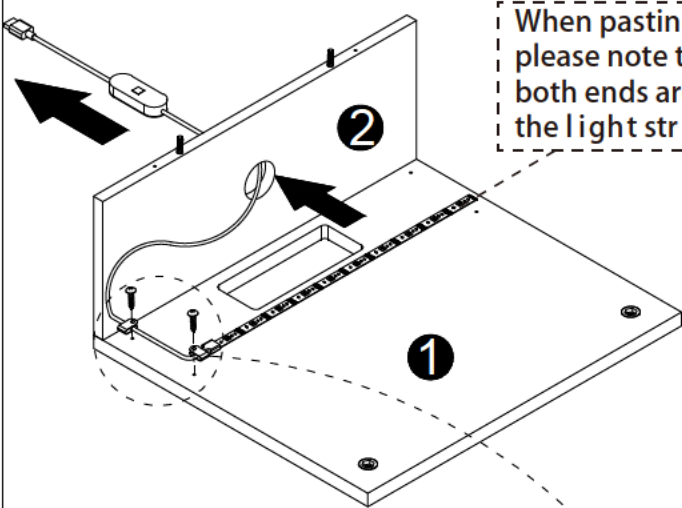
10 Light strip unfolded T



Tear off the back glue of the light strip



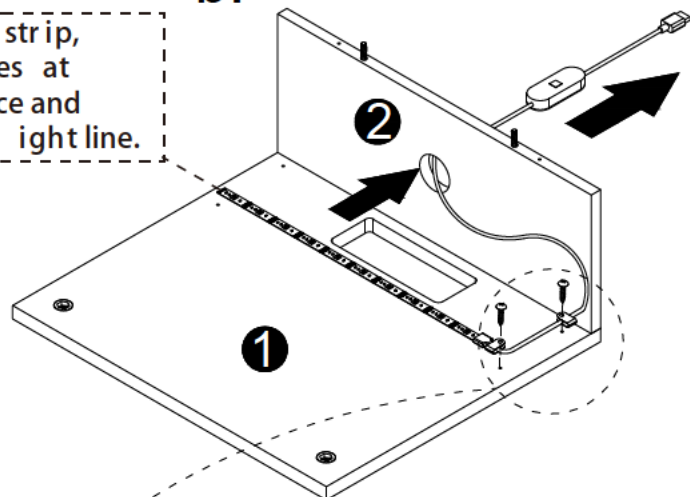
(2)a.



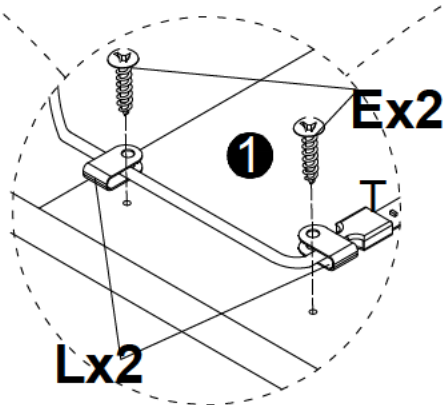
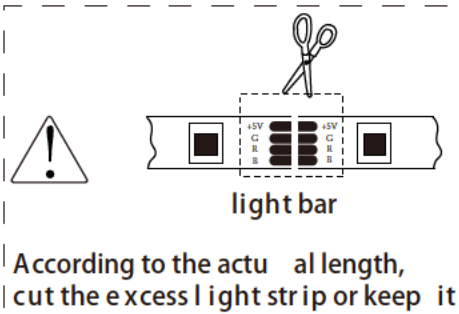
When pasting the light strip, please note that the holes at both ends are for reference and the light strip is in a straight line.

OR

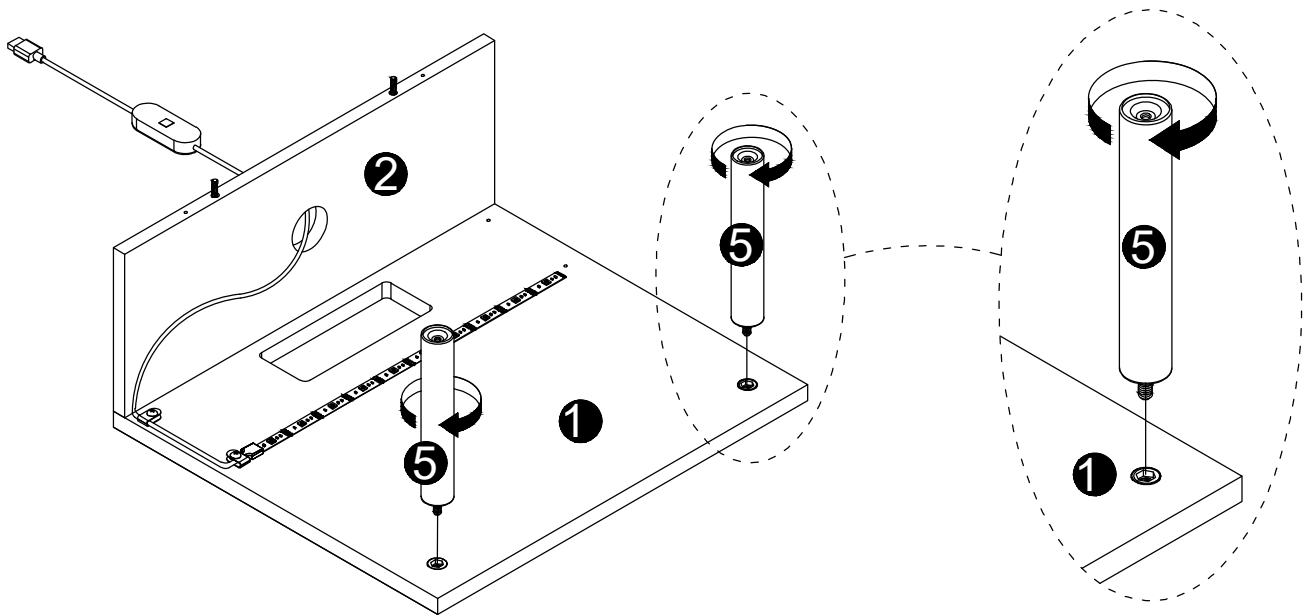
b.



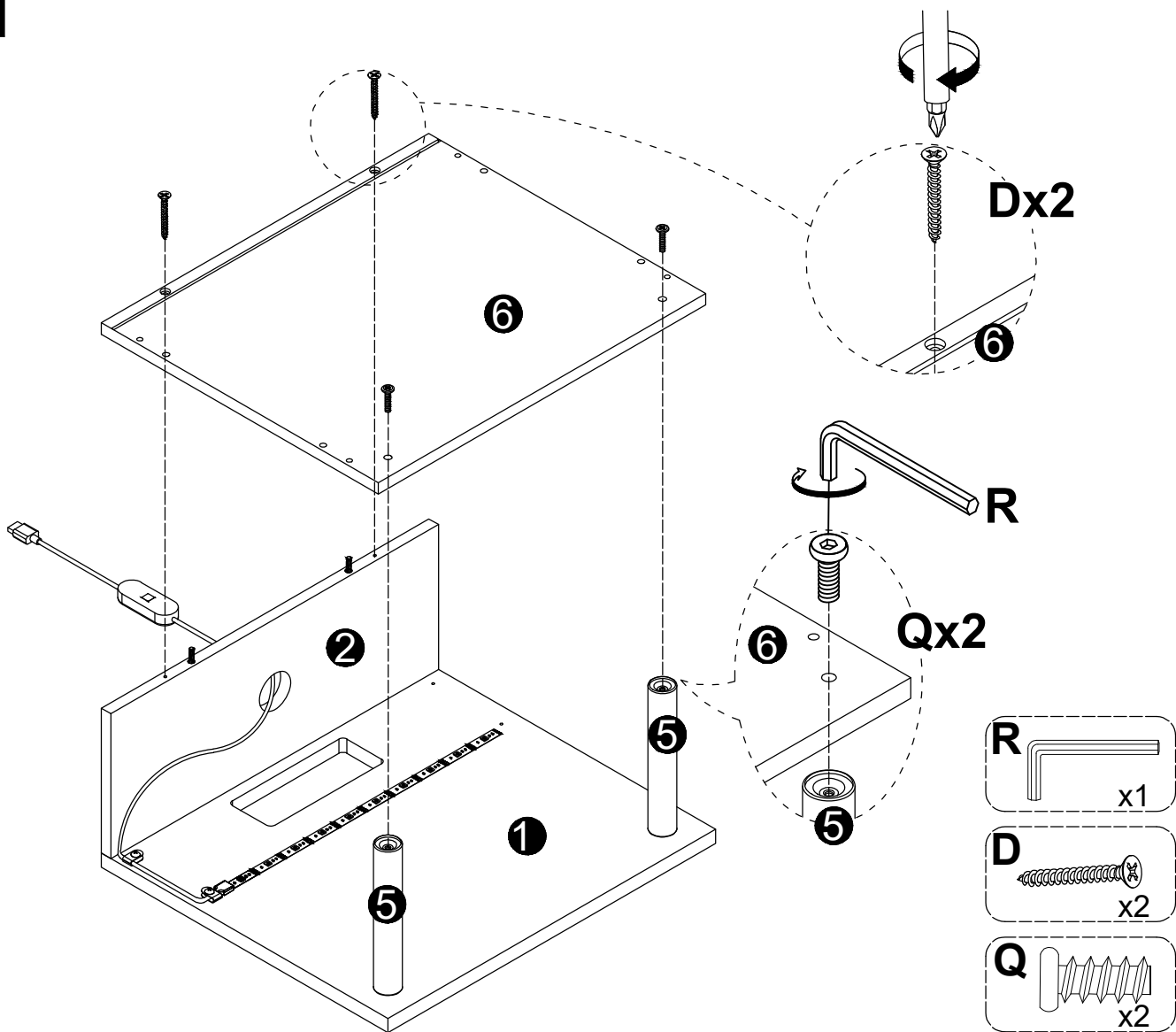
Note:
The light strip "T" can be installed on the left side(a) or the right side(b), As shown in the figure.



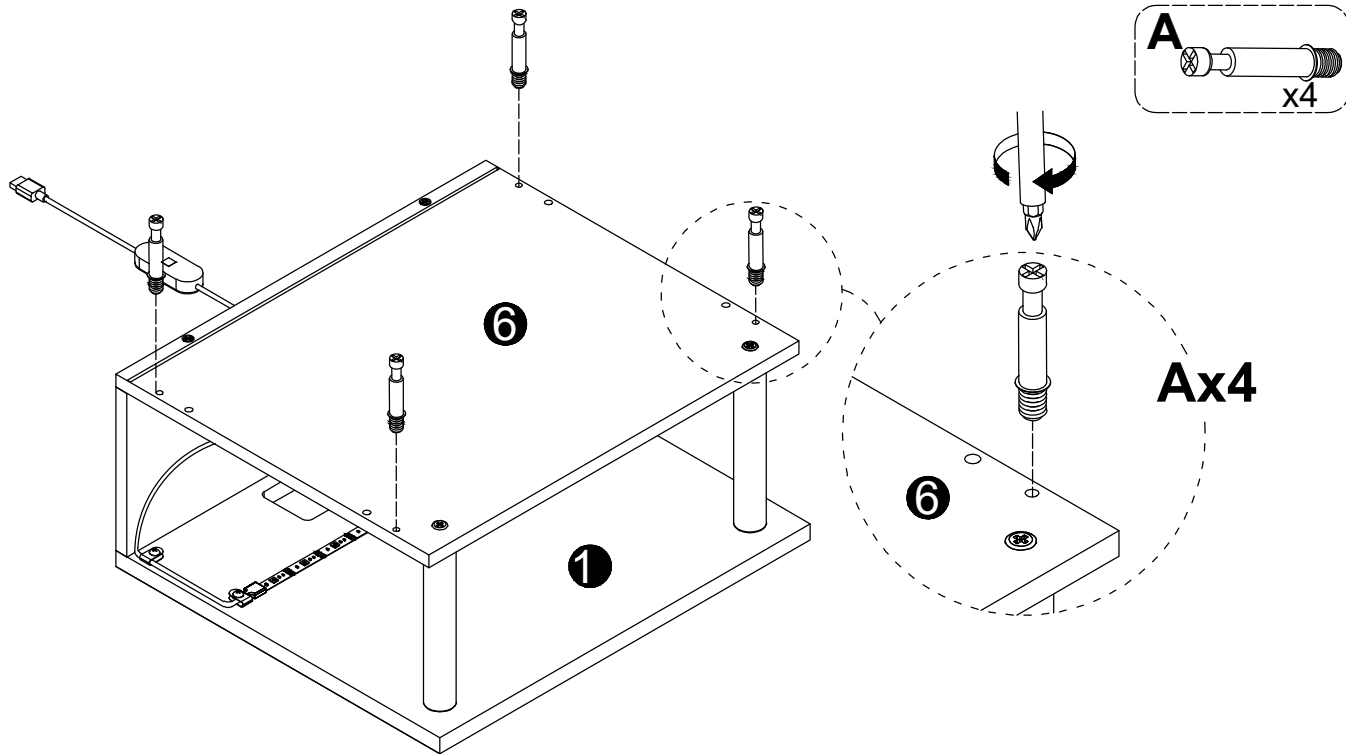
11



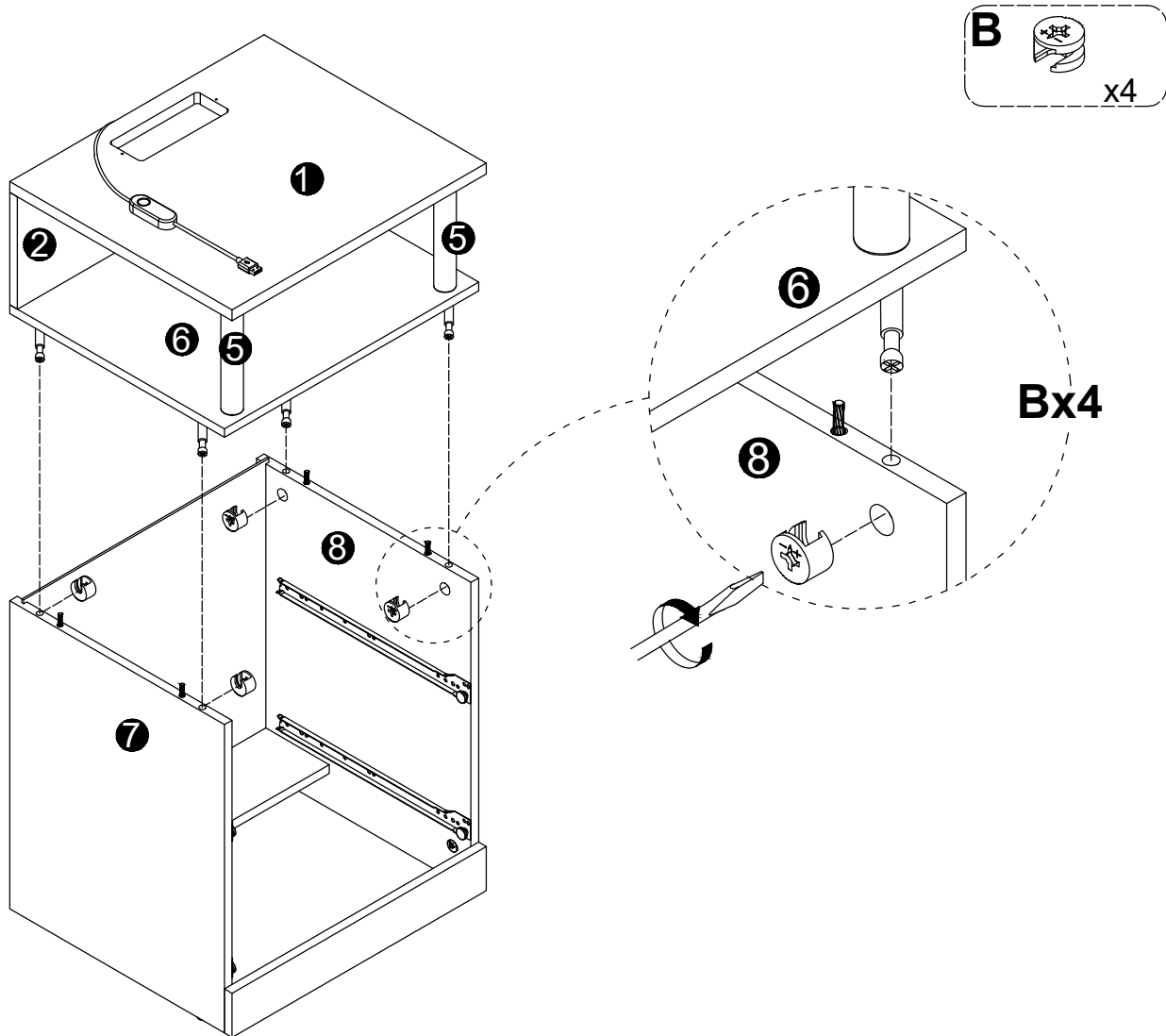
12

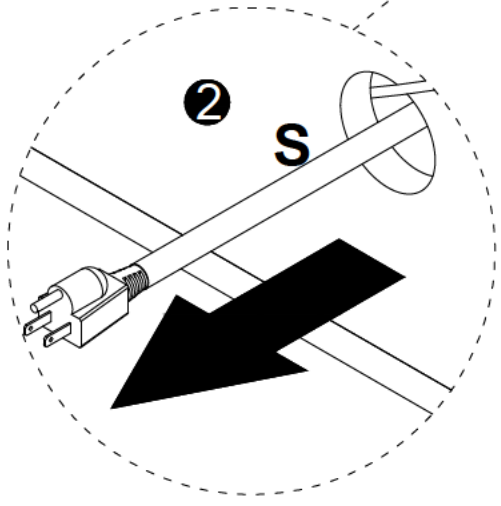
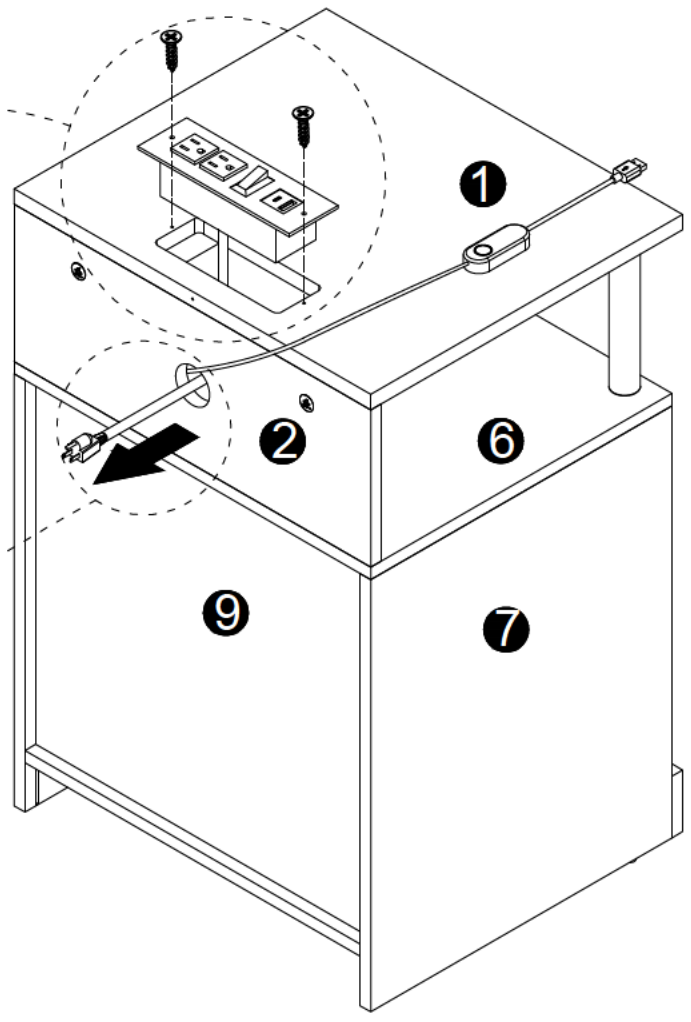
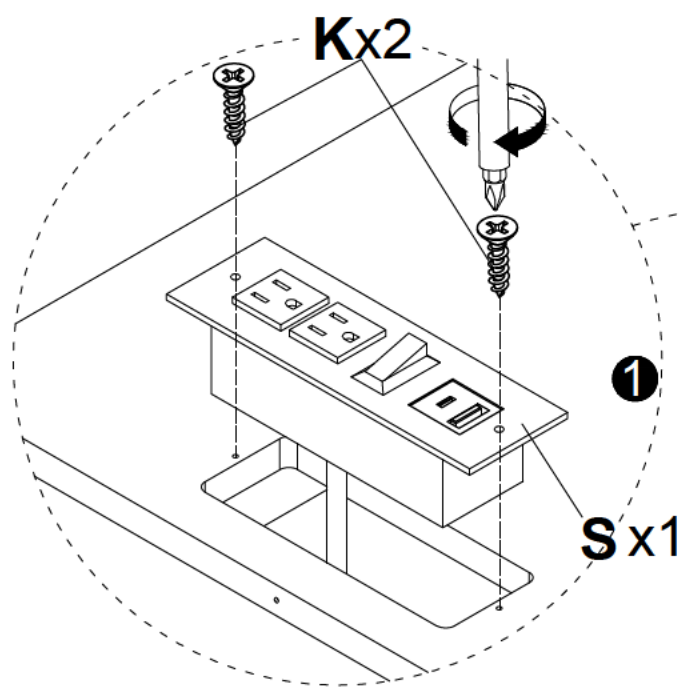
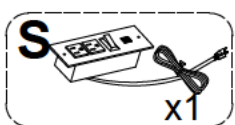
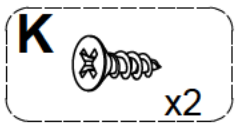






13

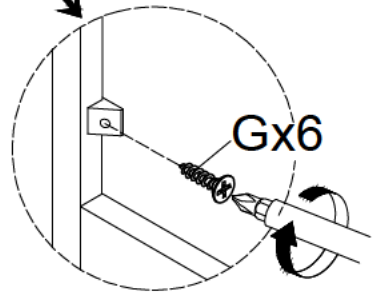
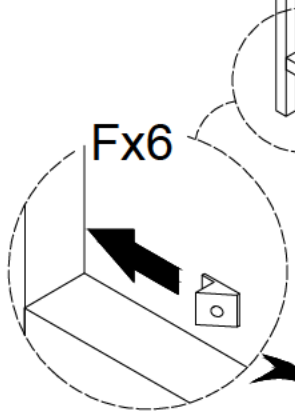
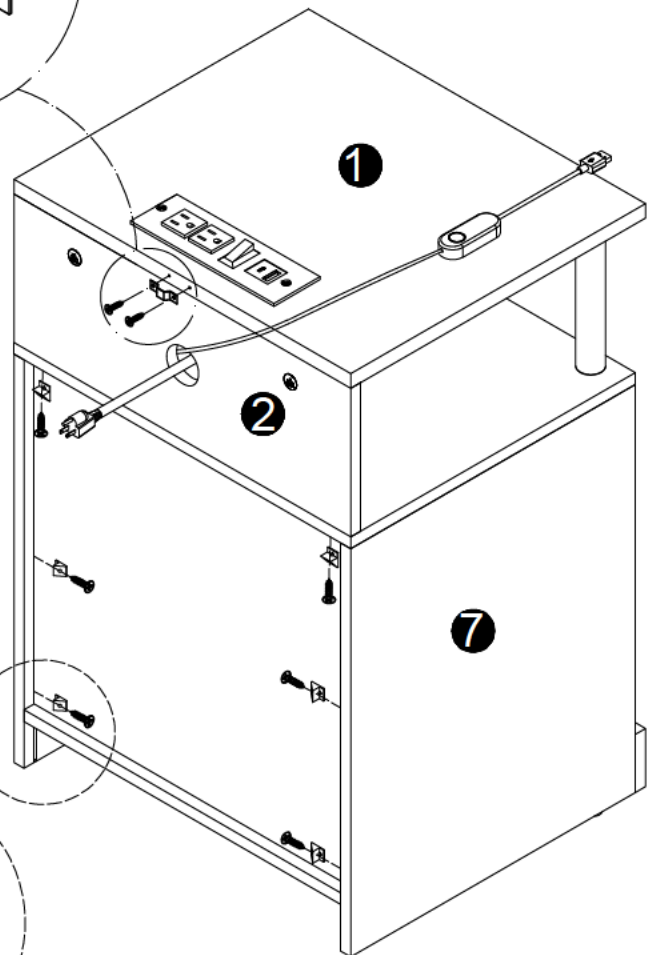
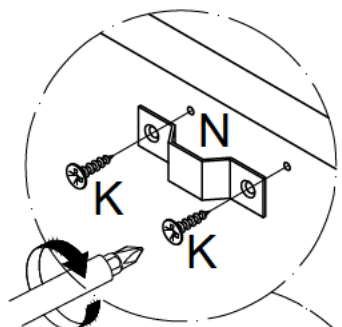


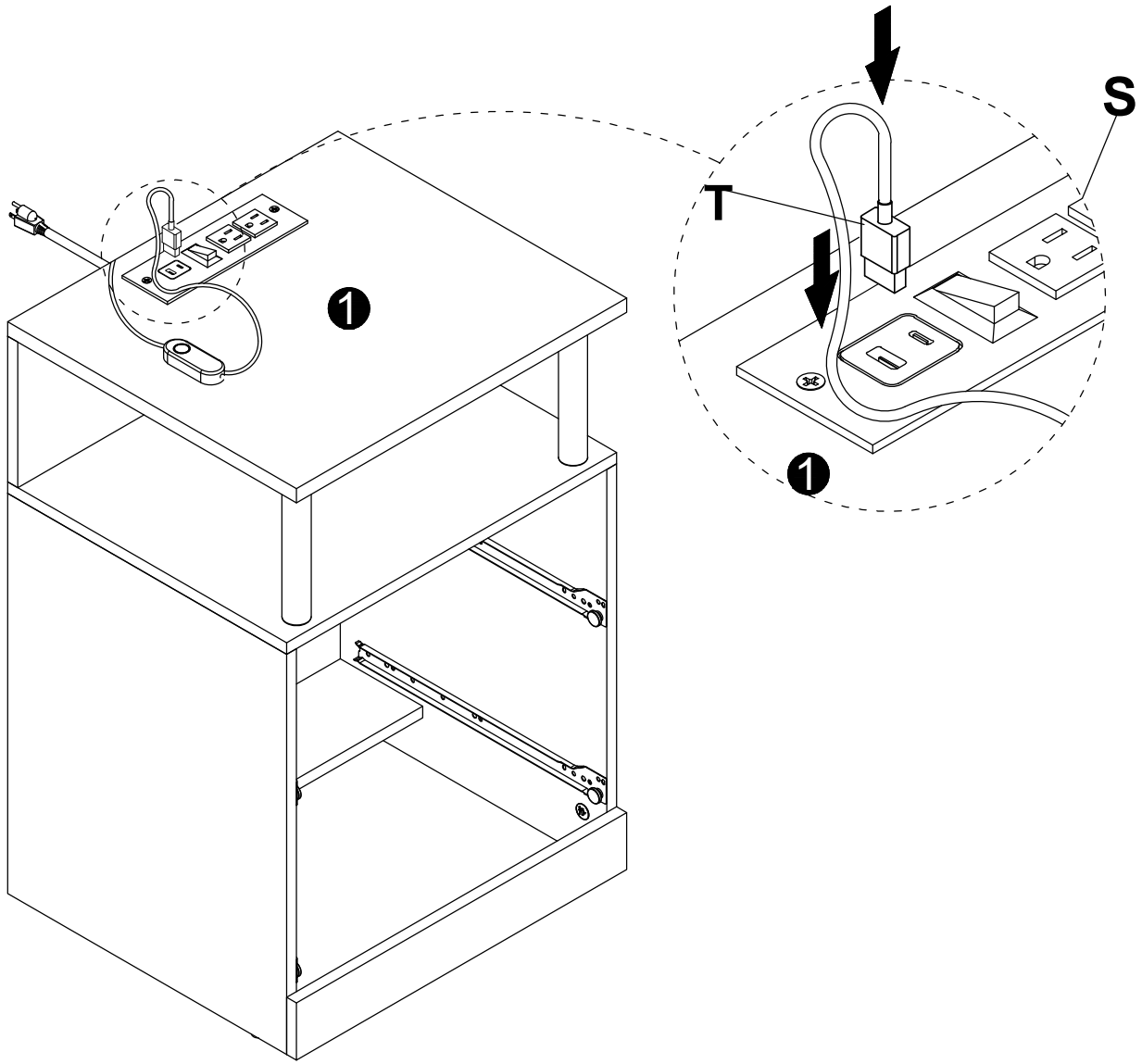
14





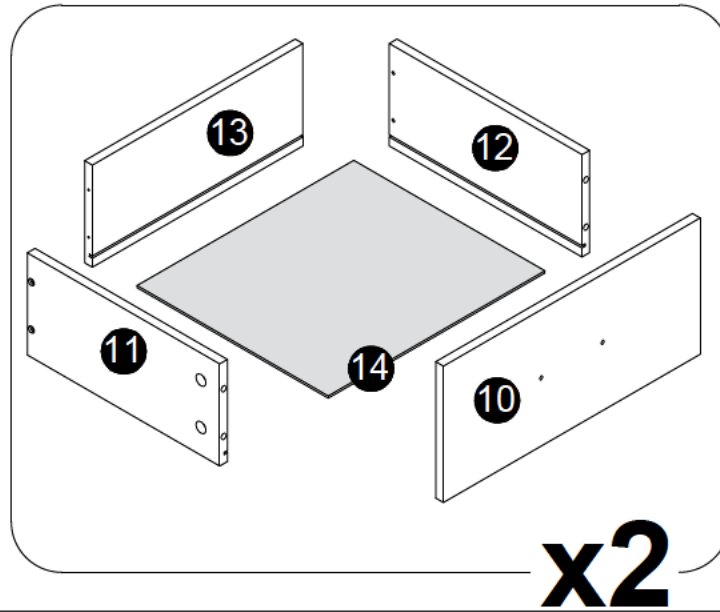
- F**  x6
- G**  x6
- K**  x1
- N**  x1



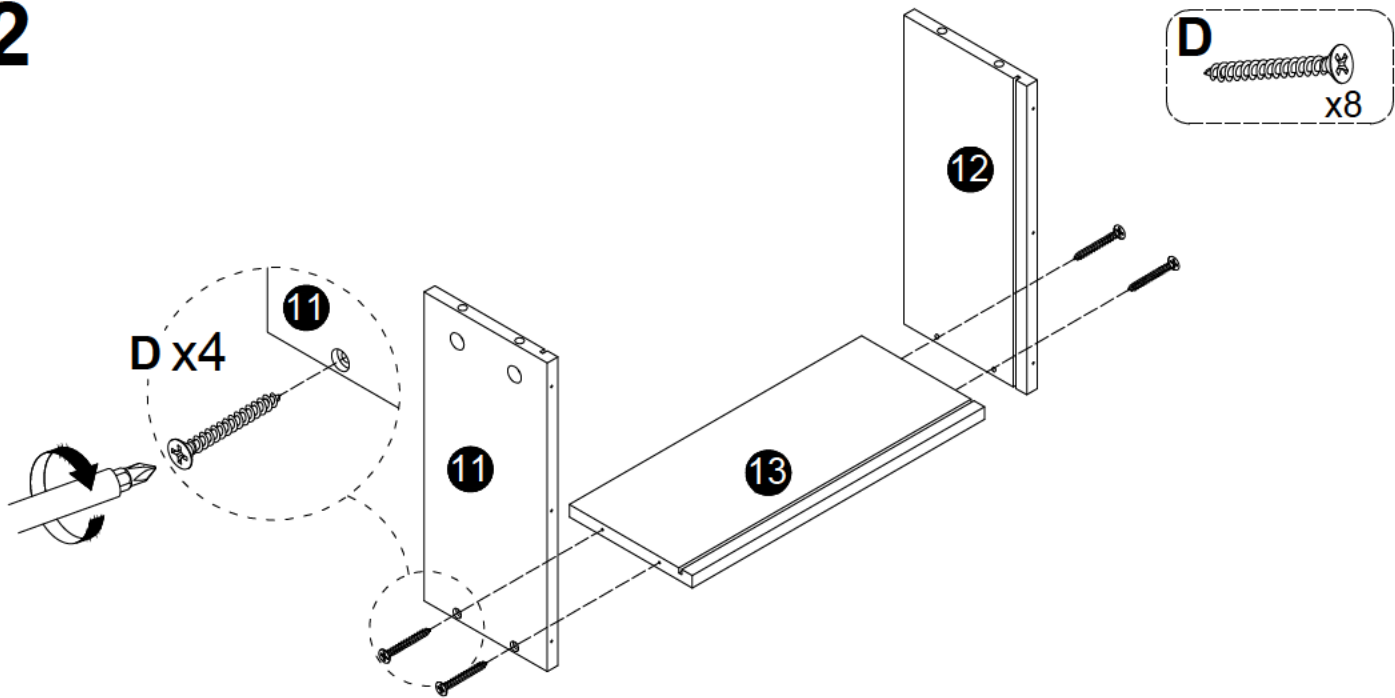


Rest awhile, installing drawers next is a repetitive task

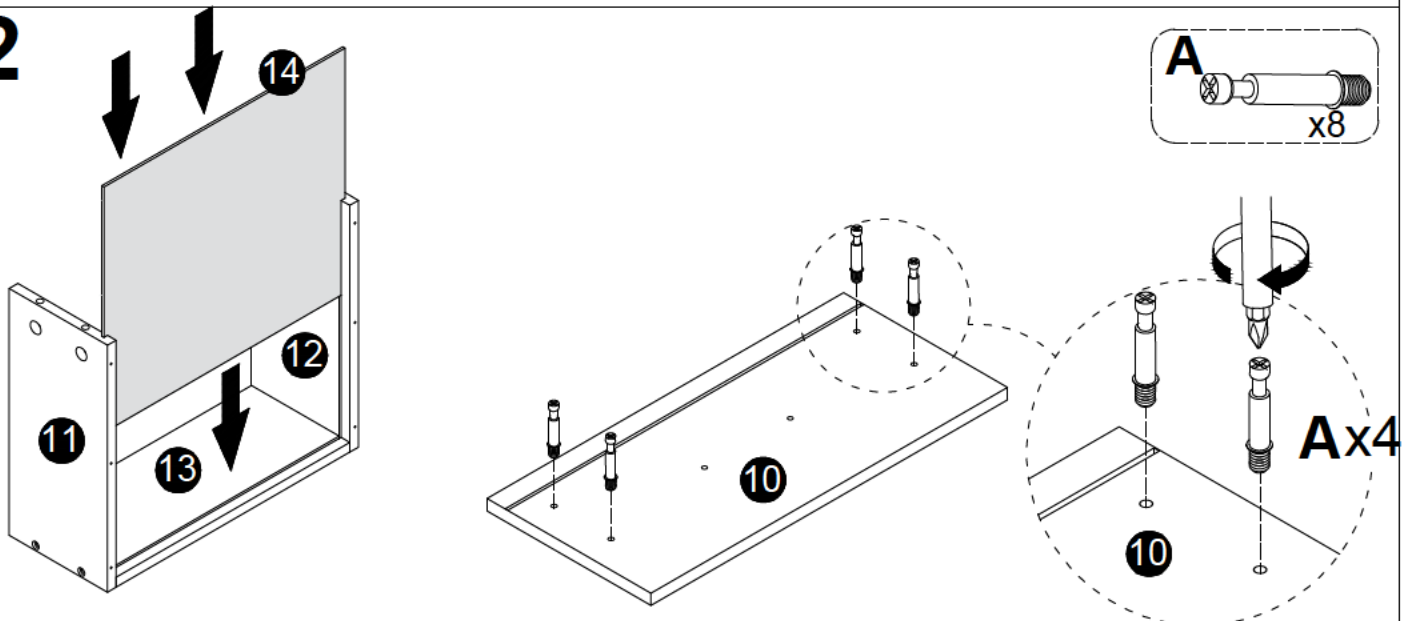
Drawer installation



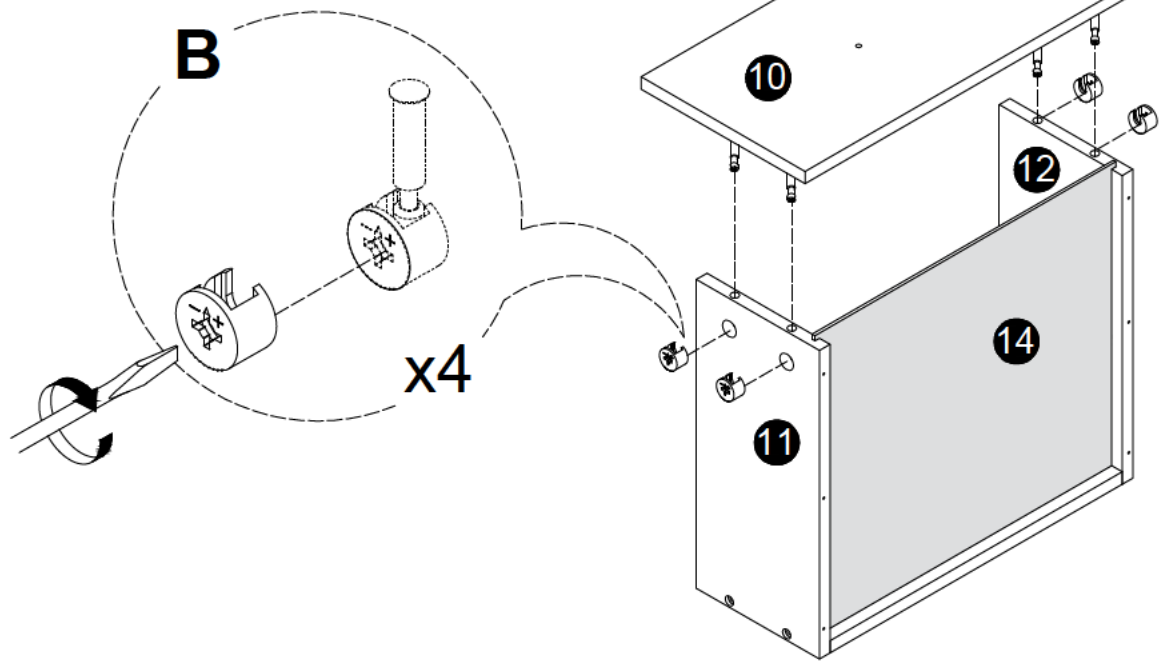
18 x2



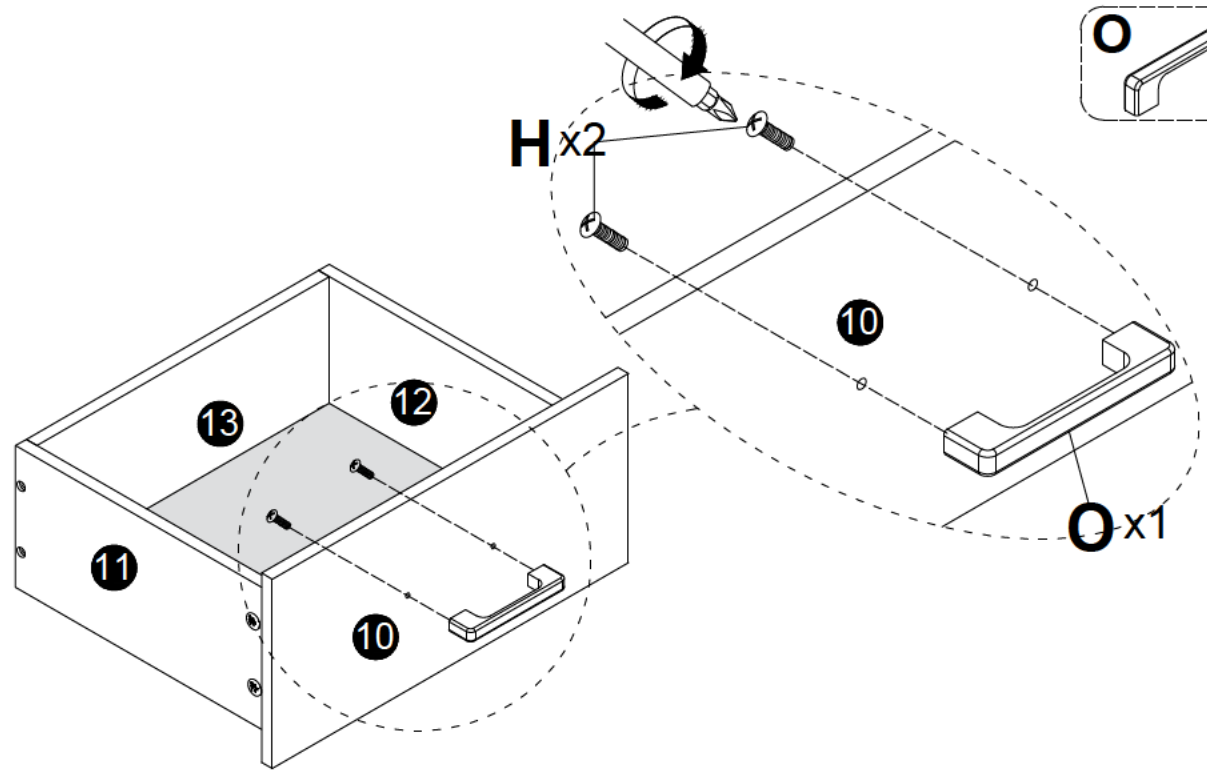
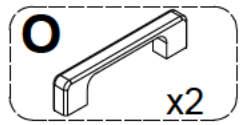
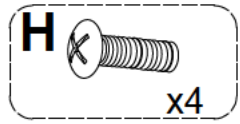
19 x2



20 x2



21 x2




22 x2

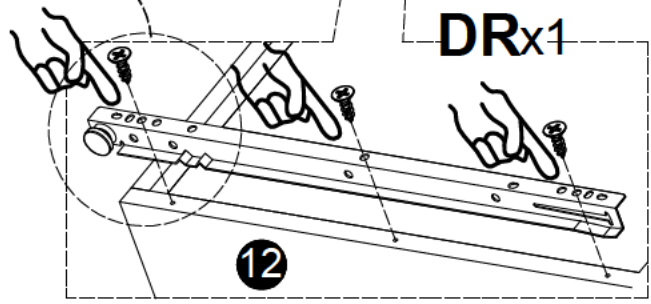
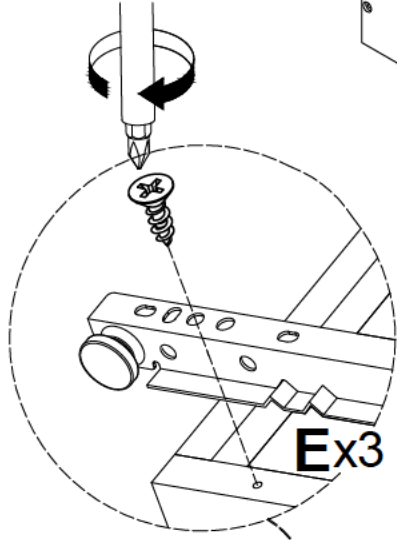
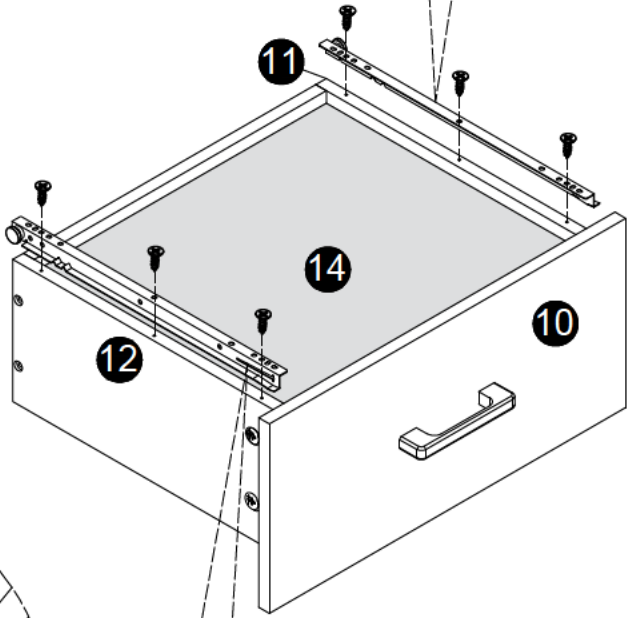
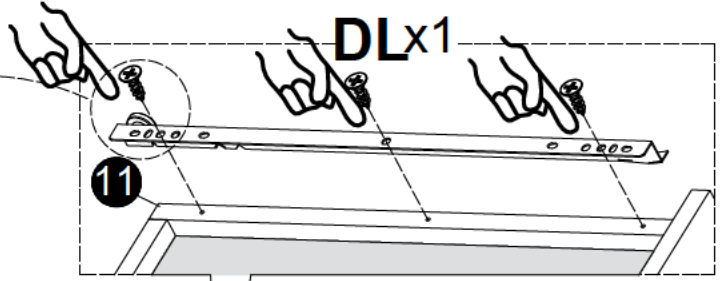
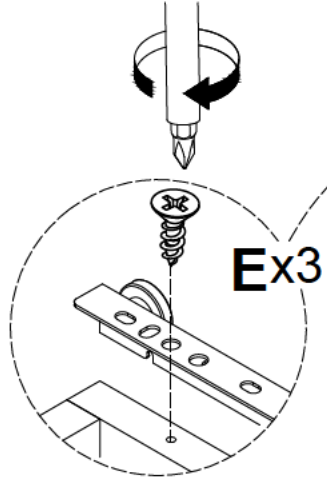
E

x12

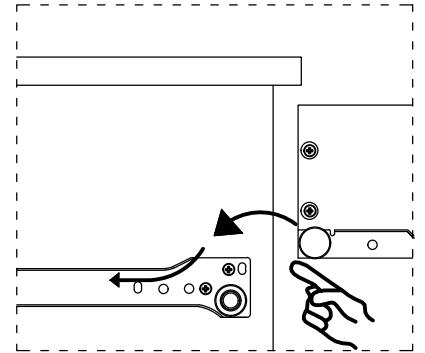
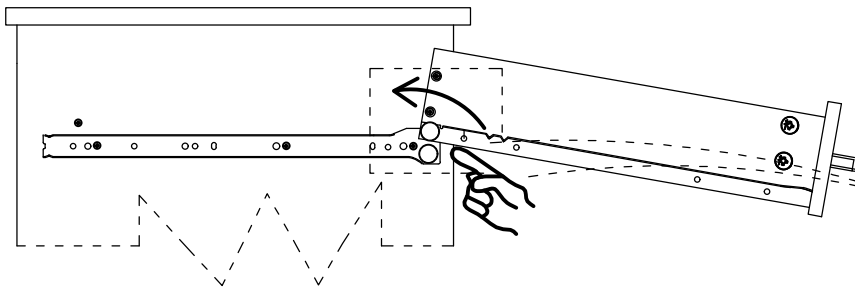
DL

x2

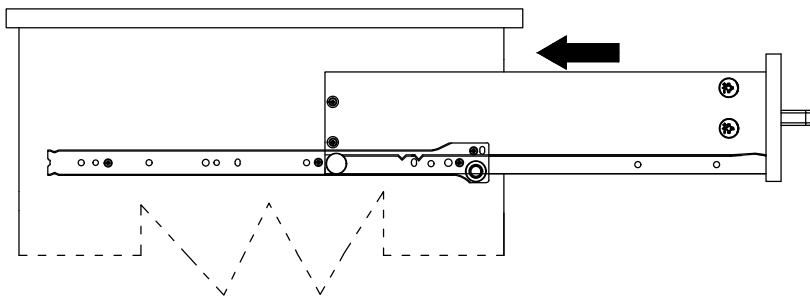
DR

x2



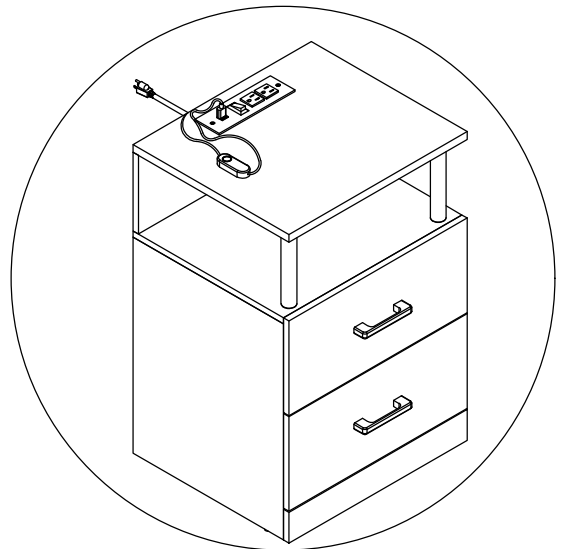
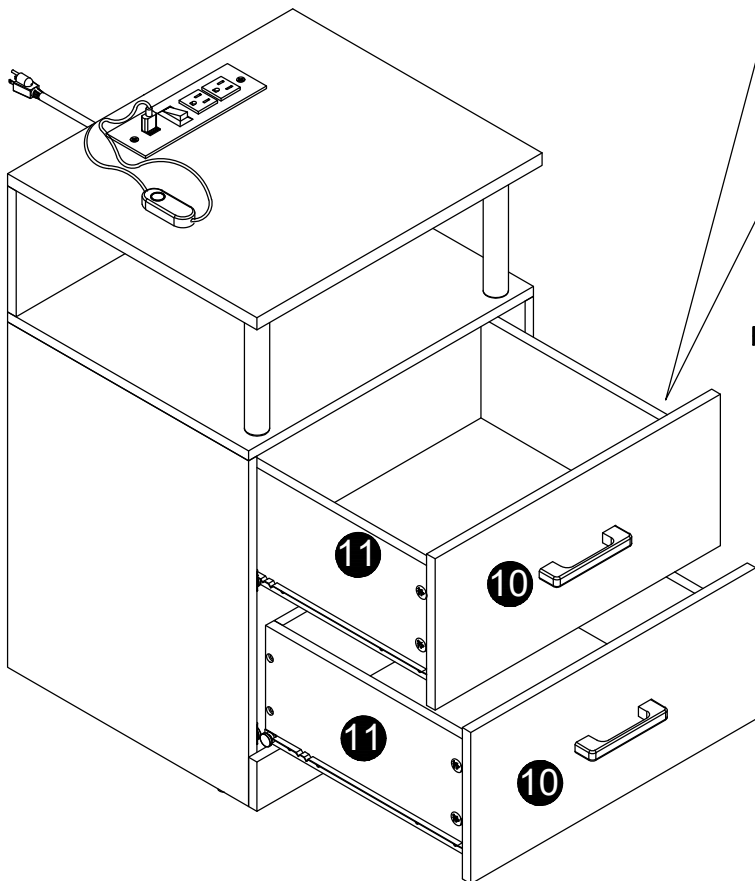
(1)

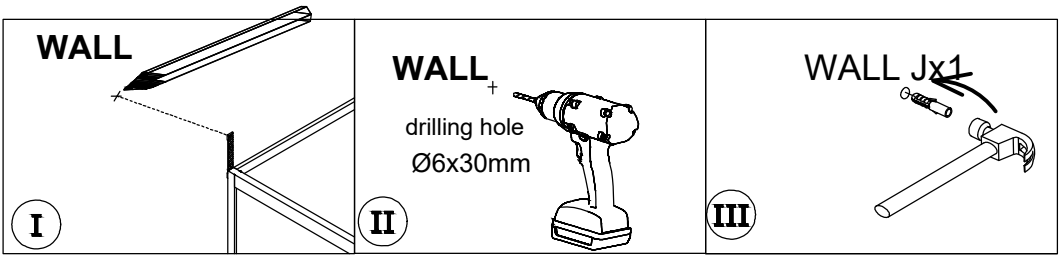


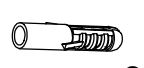

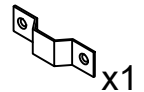
(2)

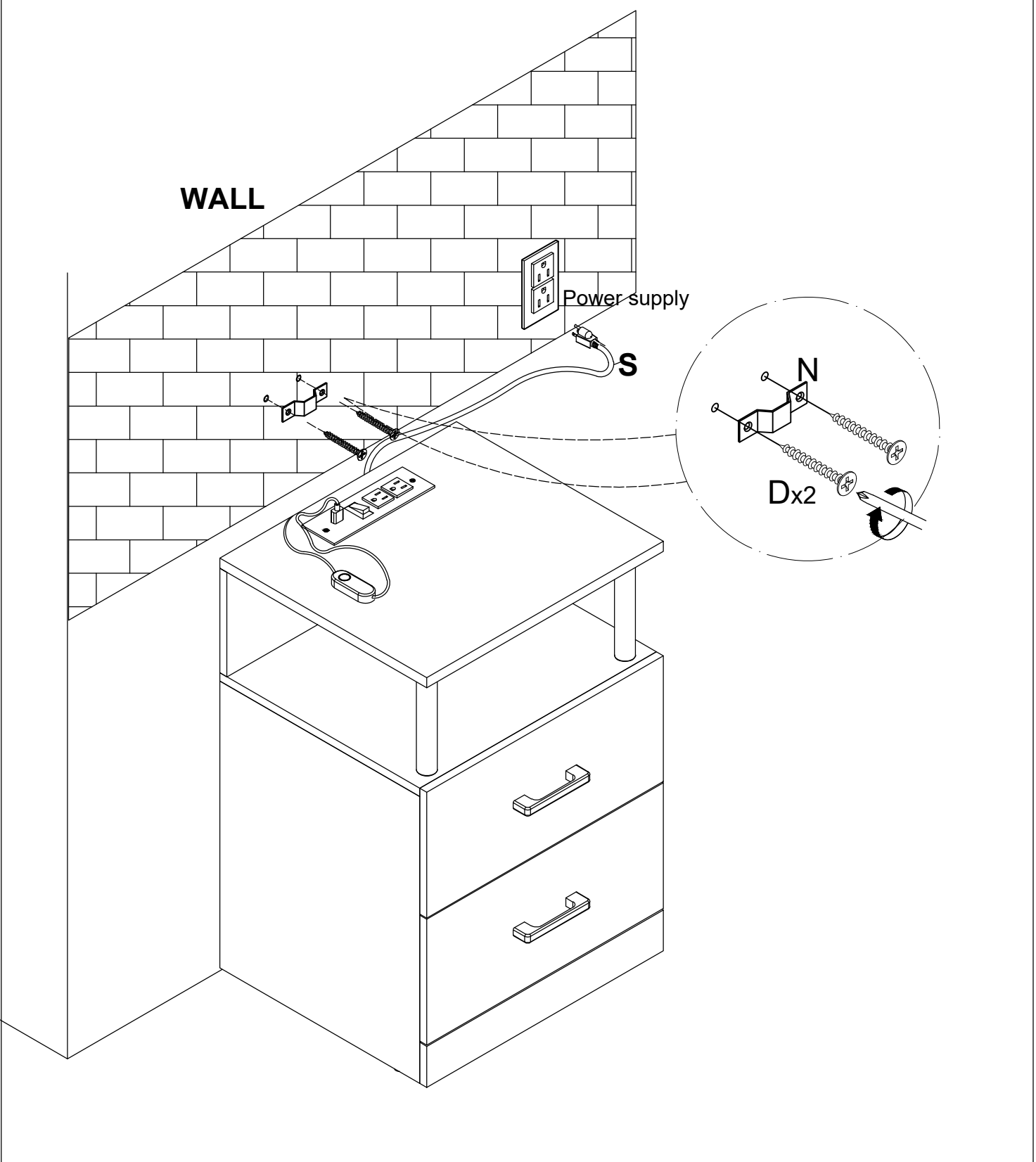


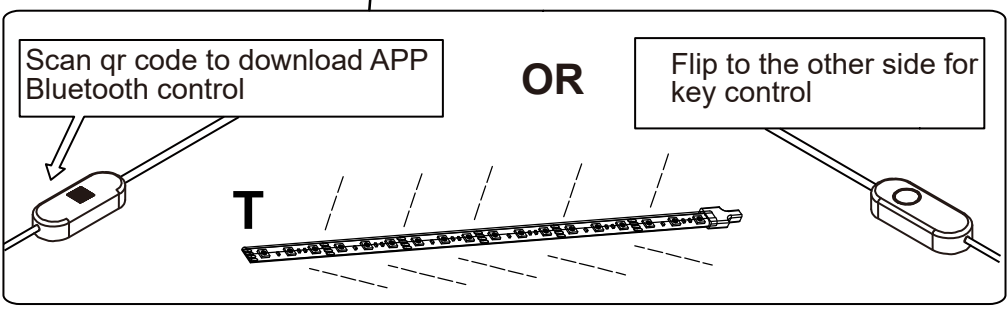
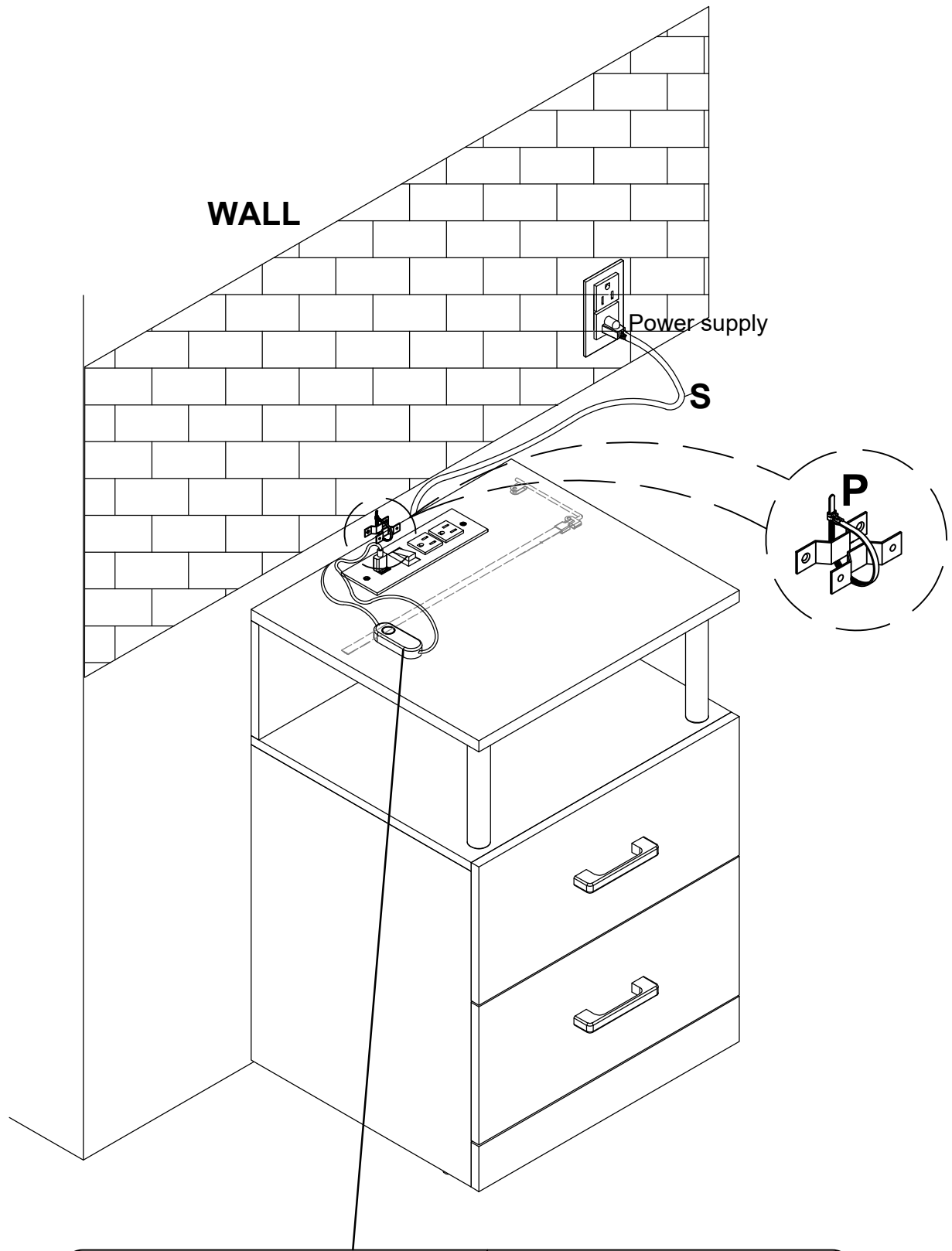
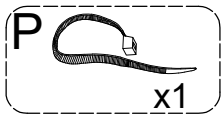
x2





- J**  x2
- D**  x2
- N**  x1





Complete!

