

ASSEMBLY INSTRUCTIONS



Fine Furniture for every stage of life

(B1&B2)
Sectional

REVISION 0 : 12/30/2019
REVISION 1 : 04/21/2023
REVISION 2 : 03/27/2025

PAGE 1 OF 7

ASSEMBLY INSTRUCTION

ASSEMBLY TIPS:

1. Remove hardware from box and sort by size.
2. Please check to see that all hardware and parts are present prior to start of assembly.
3. Please follow attached instruction in the same sequence as numbered to assure fast & easy assembly.



WARNING!

1. Don't attempt to repair or modify parts that are broken or defective. Please contact the store immediately.
2. This product is for home use only and not intended for commercial establishment.

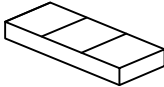
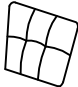

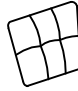

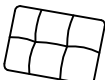







ASSEMBLY TIME

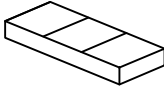






30 MINUTES

PARTS IDENTIFICATION

B1 (BOX 1)

AV	CHAISE SEAT FRAME		1PC	GV	CHAISE RIGHT BACK CUSHION		1PC
BV	CHAISE MIDDLE BACK FRAME		1PC	HV	CHAISE MIDDLE BACK CUSHION		1PC
CV	CHAISE RIGHT BACK FRAME		1PC	IV	CHAISE LEFT BACK CUSHION		1PC
DV	CHAISE LEFT BACK FRAME		1PC	JV	CHAISE SMALL SEAT CUSHION		1PC
EV	BACK PILLOW		1PC	KV	CHAISE BIG SEAT CUSHION		1PC
FV	LEG		4PCS				

B2 (BOX 2)

LV	SOFA SEAT FRAME		1PC	OV	SOFA SEAT CUSHION		3PCS
MV	SOFA BACK FRAME		3PCS	FV	LEG		4PCS
NV	SOFA BACK CUSHION		3PCS	PV	SOFA ARM FRAME		1PC
EV	BACK PILLOW		1PC				

ASSEMBLY INSTRUCTIONS

ASSEMBLY TIPS:

1. Remove hardware from box and sort by size.
2. Please check to see that all hardware and parts are present prior to start of assembly.
3. Please follow attached instruction in the same sequence as numbered to assure fast & easy assembly.



WARNING!

1. Don't attempt to repair or modify parts that are broken or defective. Please contact the store immediately.
- 2 This product is for home use only and not intended for commercial establishment.

HARDWARE IDENTIFICATION

B1 (BOX 1)- HARDWARE PACK IS LOCATED IN (B1)

5 PLASTIC WASHER
(5MM*3MM - BLK)



4PCS

B2 (BOX 2) - HARDWARE PACK IS LOCATED IN (B2)

1 BOLT
(75MM - BLK)



4PCS

2 FLAT WASHER
(2MM - BLK)



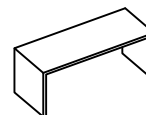
4PCS

3 FLAT WASHER
(75MM - BLK)



1PC

4 CONNECTOR
(85MM - BLK)



2PCS

5 PLASTIC WASHER
(5MMx3MM - BLK)



4PCS

ASSEMBLY INSTRUCTIONS

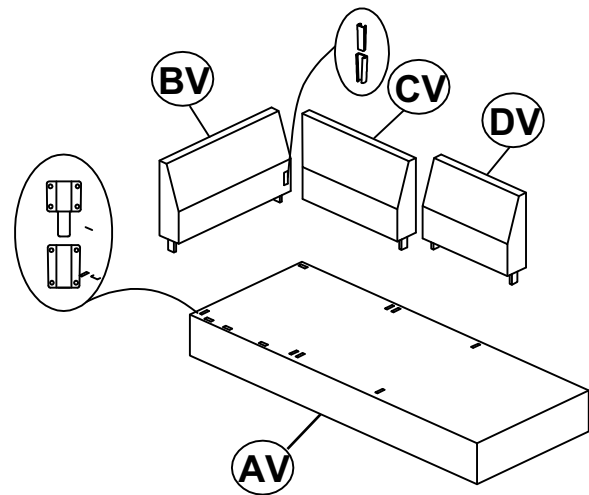
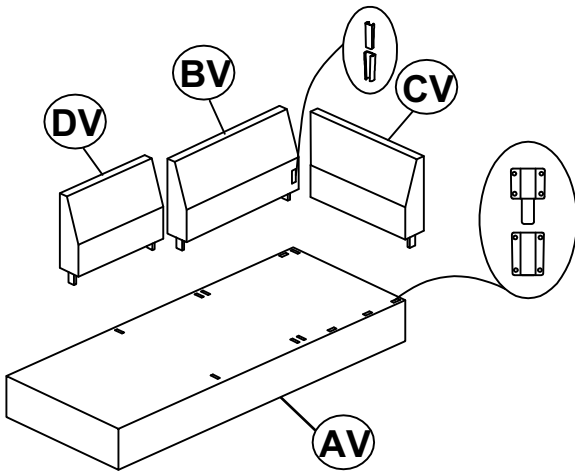
LAF



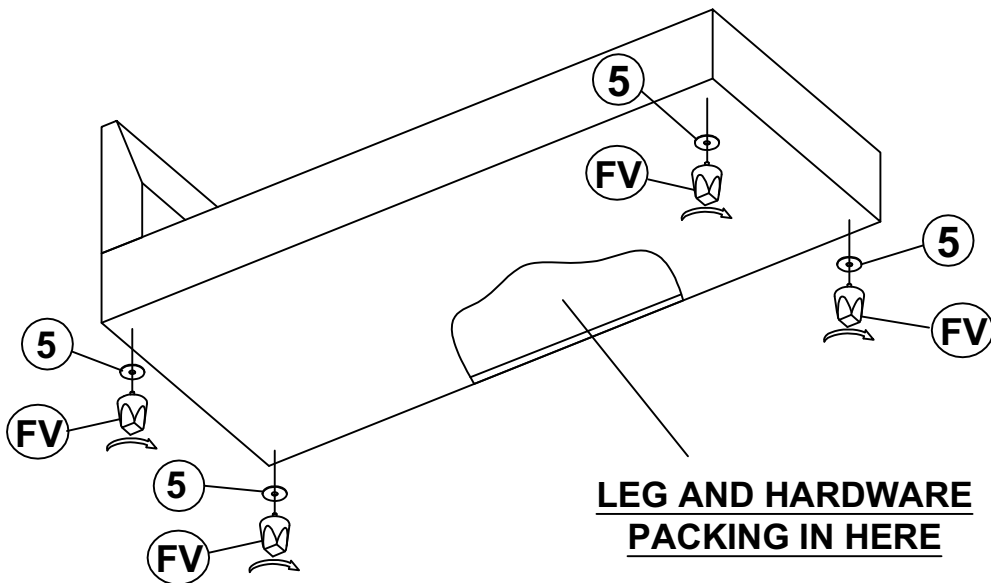
RAF



STEP 1



STEP 2



ASSEMBLY INSTRUCTIONS

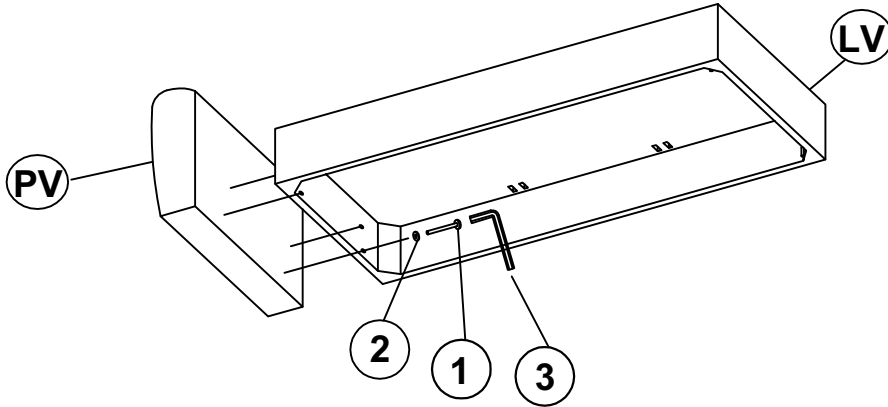
LAF



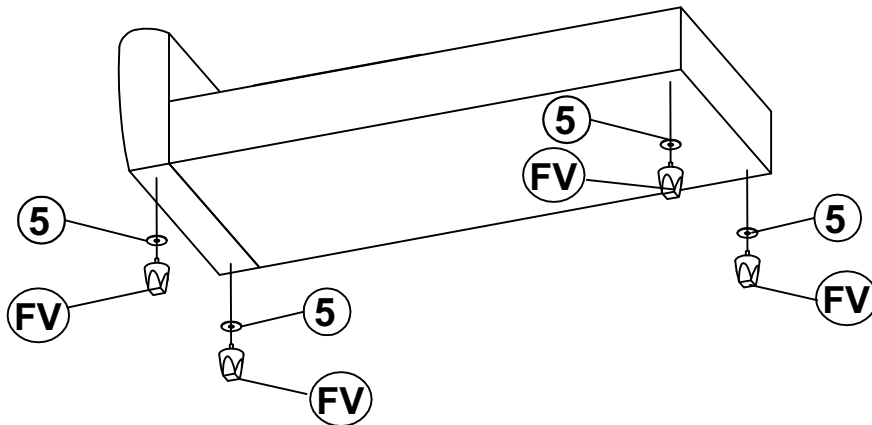
RAF



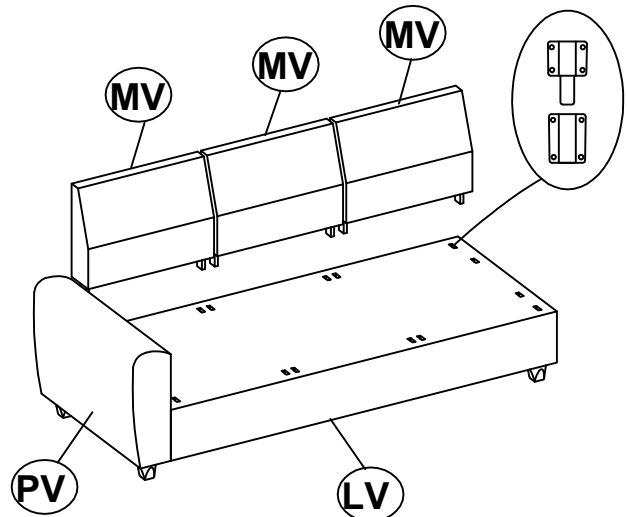
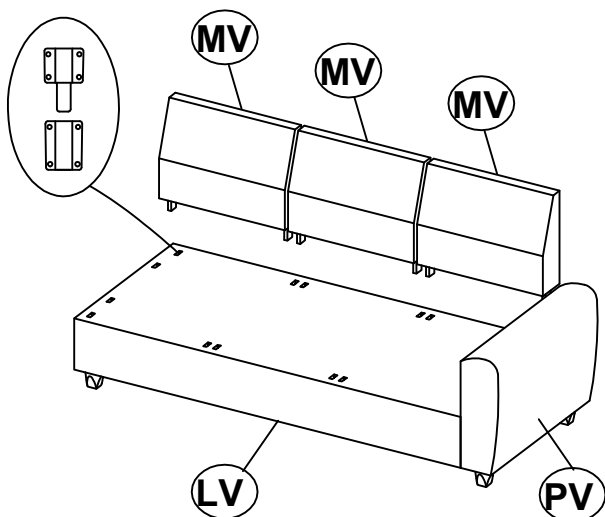
STEP 3



STEP 4



STEP 5



ASSEMBLY INSTRUCTIONS

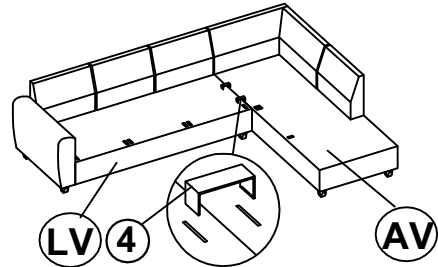
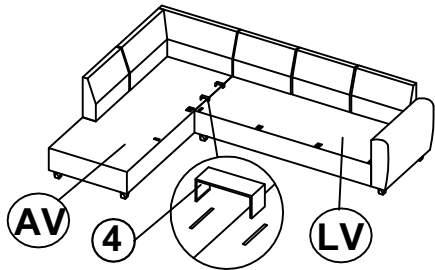
LAF



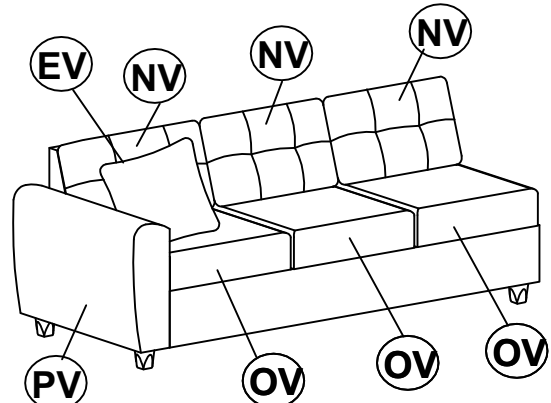
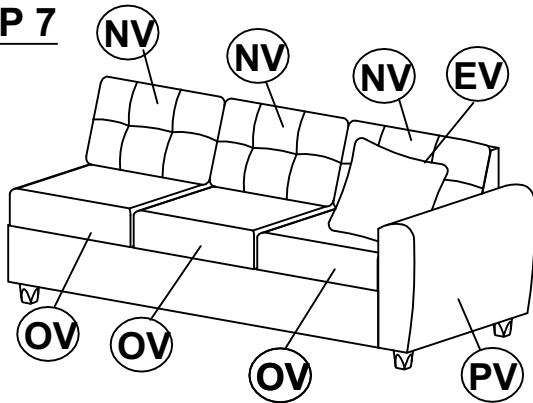
RAF



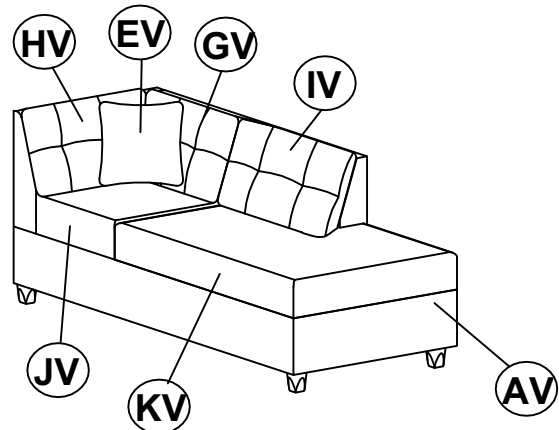
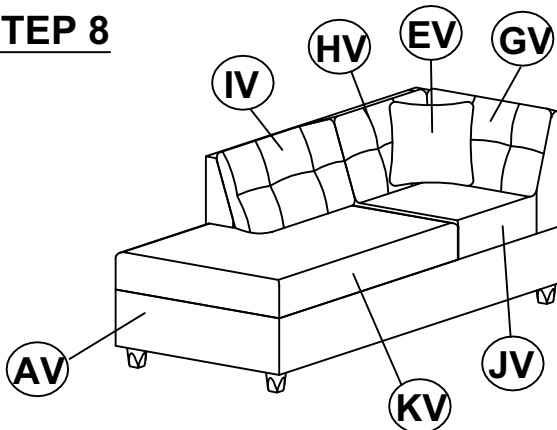
STEP 6



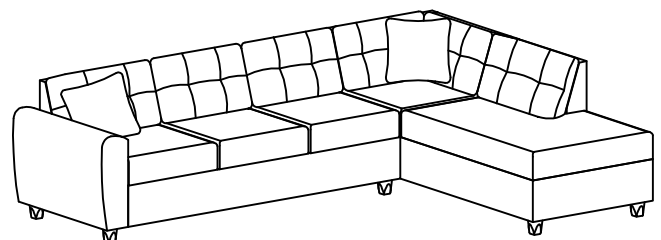
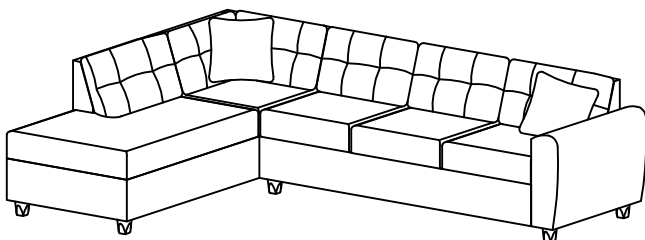
STEP 7

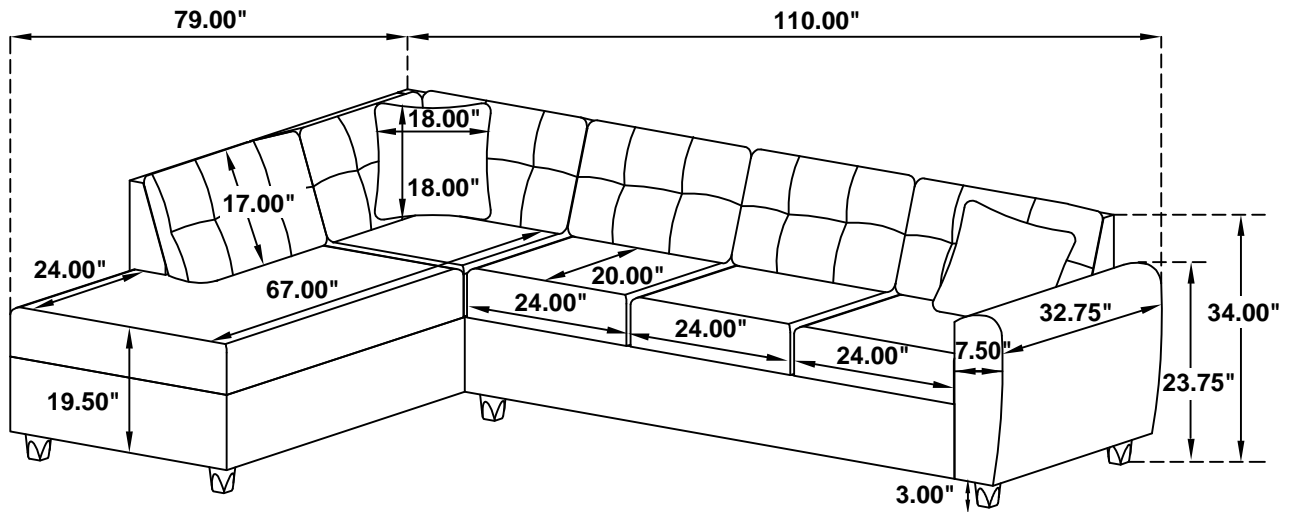


STEP 8



STEP 9 COMPLETE





Note: Dimension tolerance $\pm 5\%$