

# **RECTANGULAR DINING TABLE**

**ASSEMBLY MANUAL**

**Thank you for choosing our rectangular dining table! This table is designed for durability, weather resistance, and low maintenance, making it a great addition to both indoor and outdoor spaces. To ensure long-lasting use and maintain its quality, please read and follow the usage precautions below.**

## **ATTENTION**



### **Usage Precautions**

- **Heat Resistance:** The table can withstand temperatures between -104°F to -140°F (-40°C to -60°C). Avoid placing high-temperature objects (such as grills or hot pots) directly on the surface to prevent damage. Using heat-resistant mats is recommended.
- **Avoid Prolonged Sun Exposure:** While our table is weather-resistant, extended exposure to strong sunlight may cause fading or slight warping. Covering the table with a cloth or protective cover when not in use is advised.
- **Prevent Scratches:** Avoid using sharp objects such as knives directly on the table surface to prevent scratches.

# PARTS LIST

## TOOLS REQUIRED



ALLEN WRENCH  
(PROVIDED)



Open-end wrench  
(PROVIDED)

## ASSEMBLY REQUIREMENT



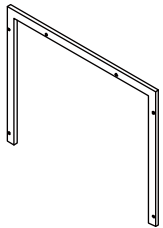
2 PERSON  
ASSEMBLY



UP TO 30 MIN.  
ASSEMBLY

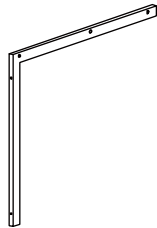
## PARTS LIST

A



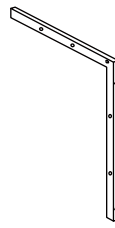
2 PCS

B



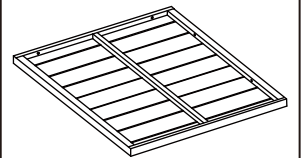
2 PCS

C



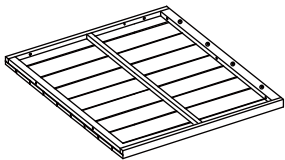
2 PCS

D



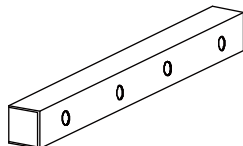
1 PC

E



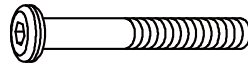
1 PC

F



2 PCS

G



M6 \* 75 mm

2 PCS

H



M6 \* 55 mm

8 PCS

J



M6 \* 35 mm

12 PCS

L



M6 \* 12 mm

8 PCS

N



M6



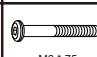

2 PCS

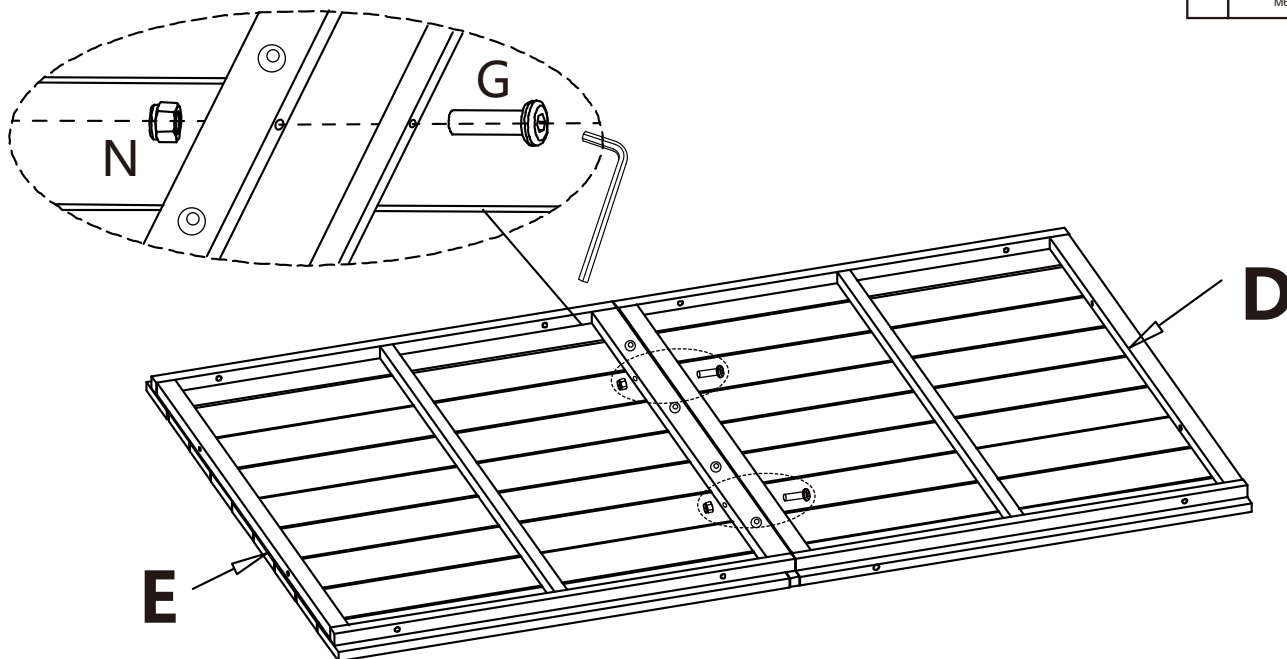
**Step 1** Use screw G and nut N to connect panel E and panel D.

**Note:**

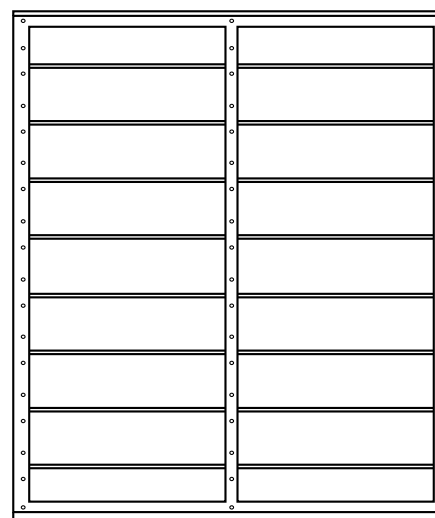
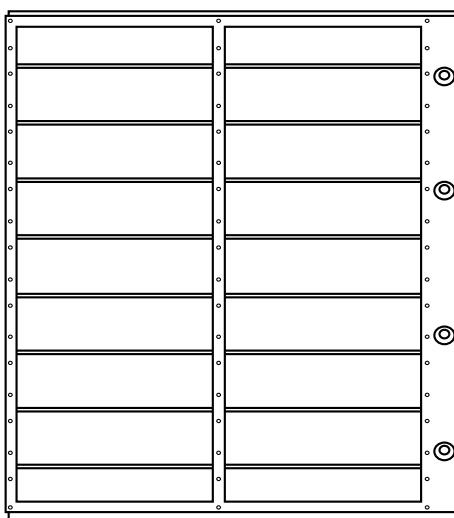
If part E is correctly connected, you will see the 4 silver screw heads in the middle of the table.

Please check it before installing.

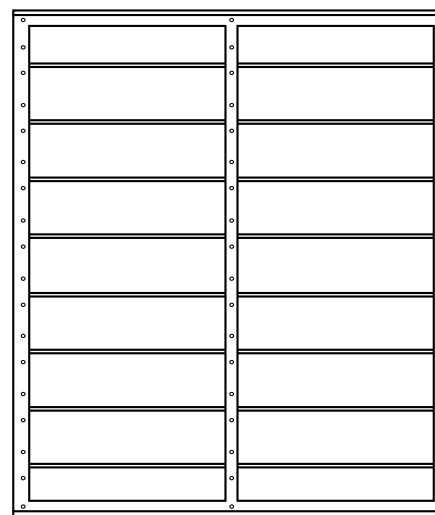
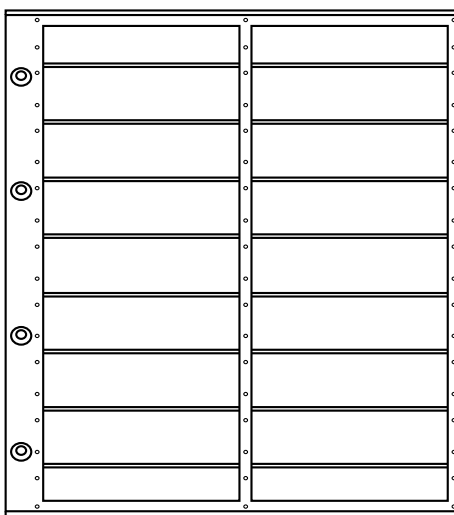
E		1
D		1
G	 M6 * 75	2
N	 M6	2



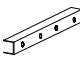
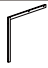


**A** If part E is correctly connected, you will see the 4 silver screw heads in the middle of the table.

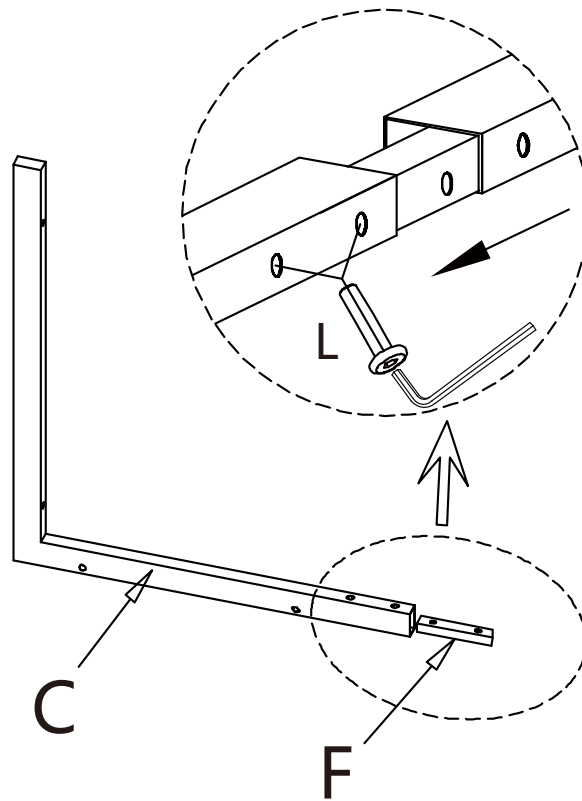


**B** If part E is incorrectly connected, you will see the 4 silver screw heads on the side of the table, and you will have a problem on the next step.

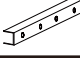





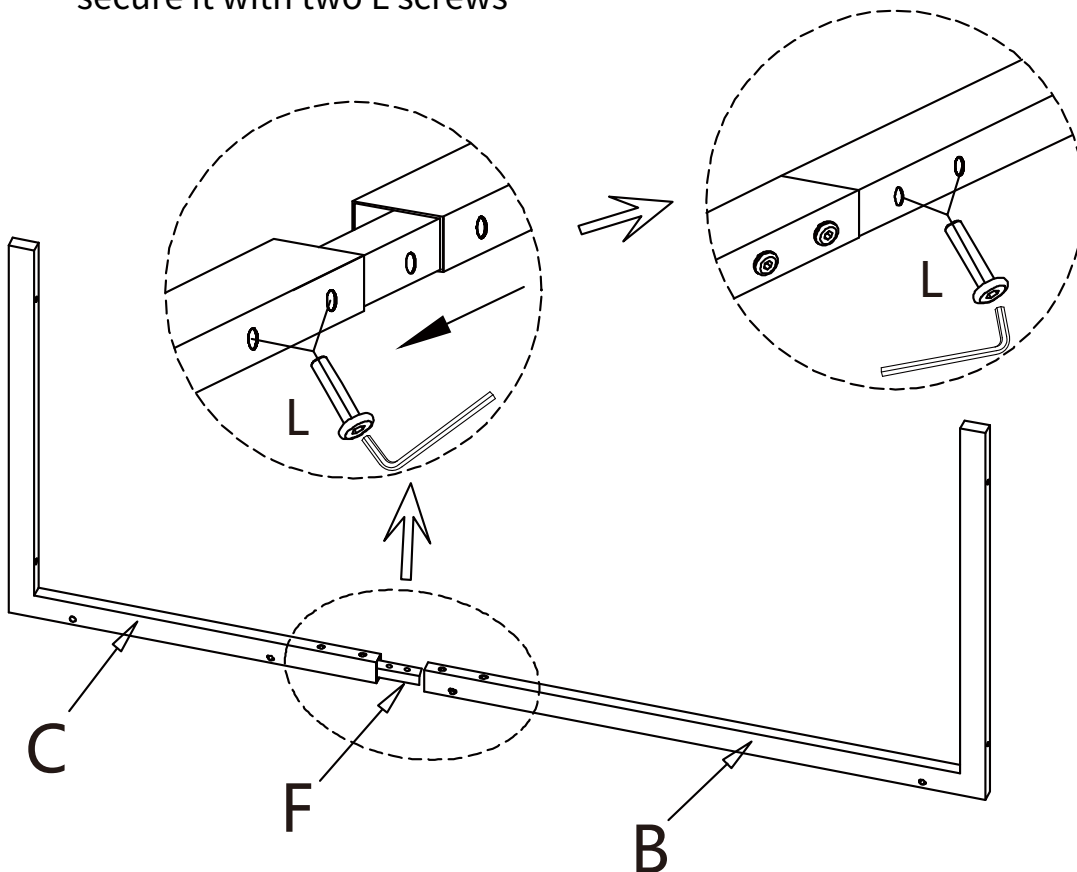
- Step 2** 1) Stand parts C and Cupright at a 90-degree angle to the ground or easier installation.  
 2) Insert one end of part F into part C, align the holes, and secure it with two L screws.

F		2
B		2
C		2
L	 M6 * 12	8

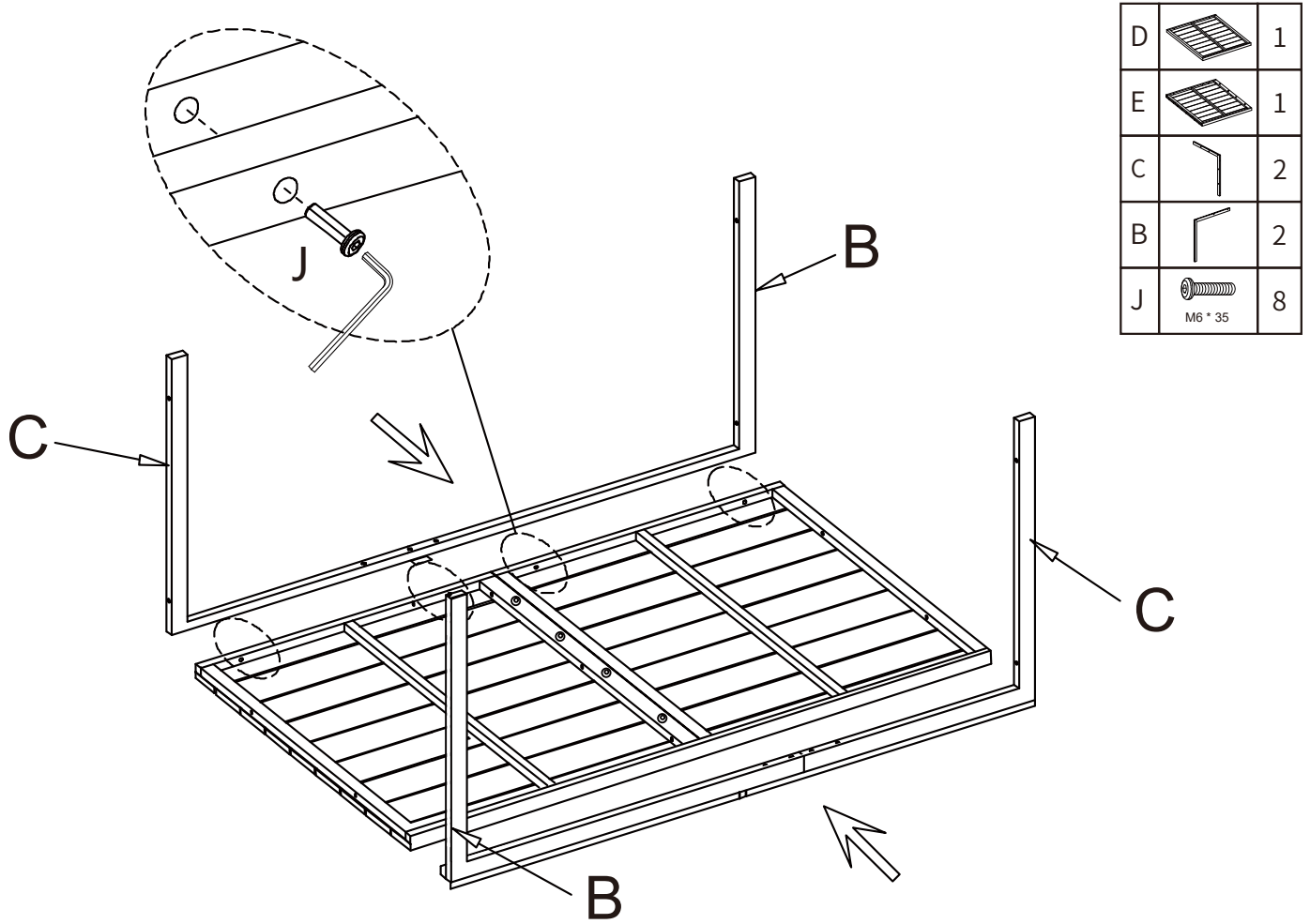


- Step 3** Insert the other end of part F into part B, align the holes, and secure it with two L screws

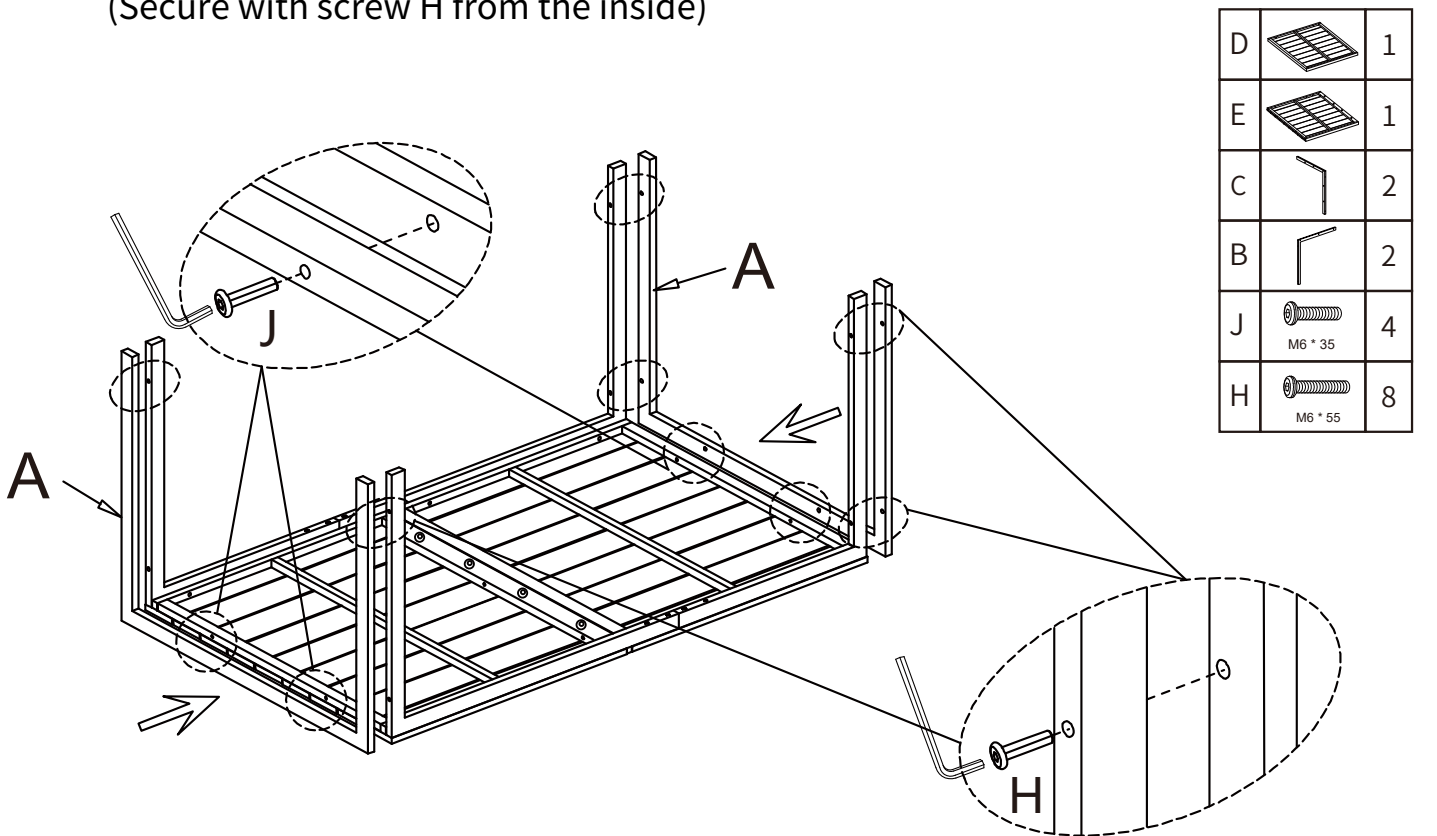
F		2
B		2
C		2
L	 M6 * 12	8



**Step 4** Attach the connected B and C parts to the tabletop using screw J.



**Step 5** Use screws J and H to connect part 2 (A) parts with parts B and C. (Secure with screw H from the inside)



Secure with screw H from the inside