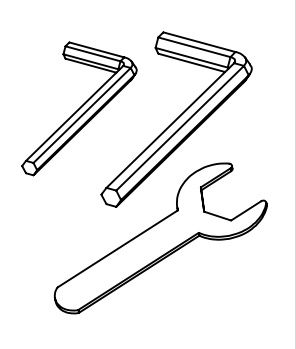
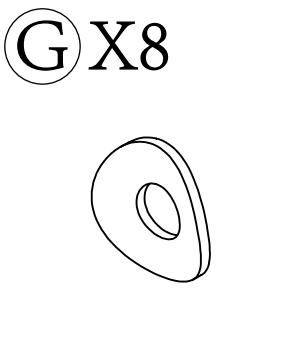
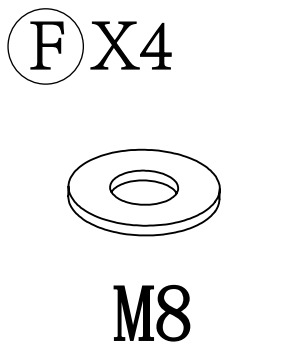
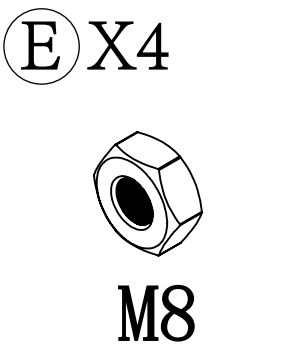
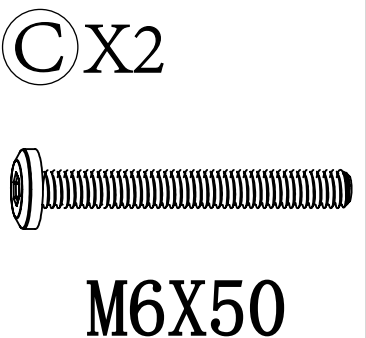
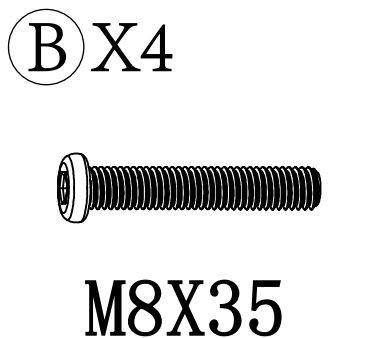
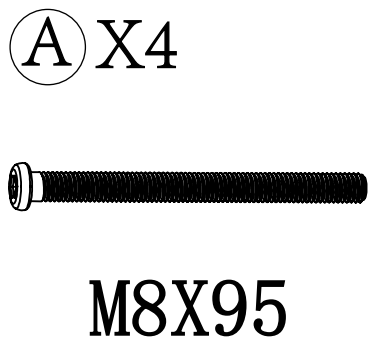
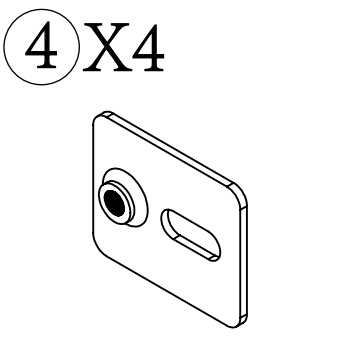
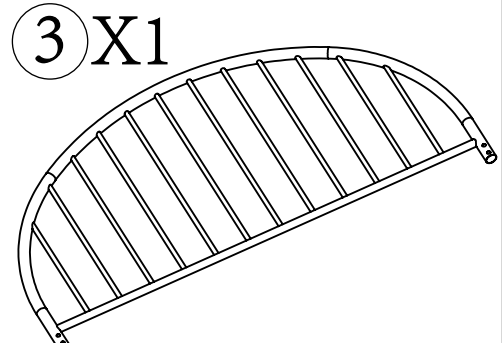
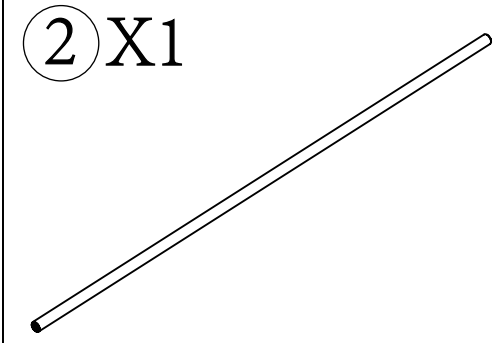
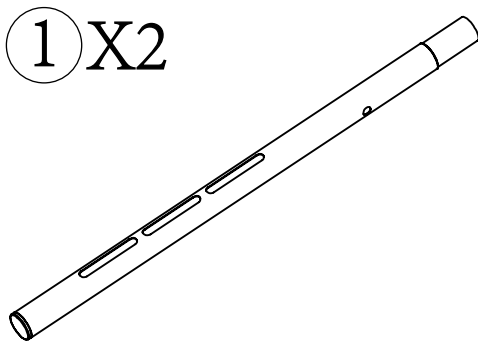
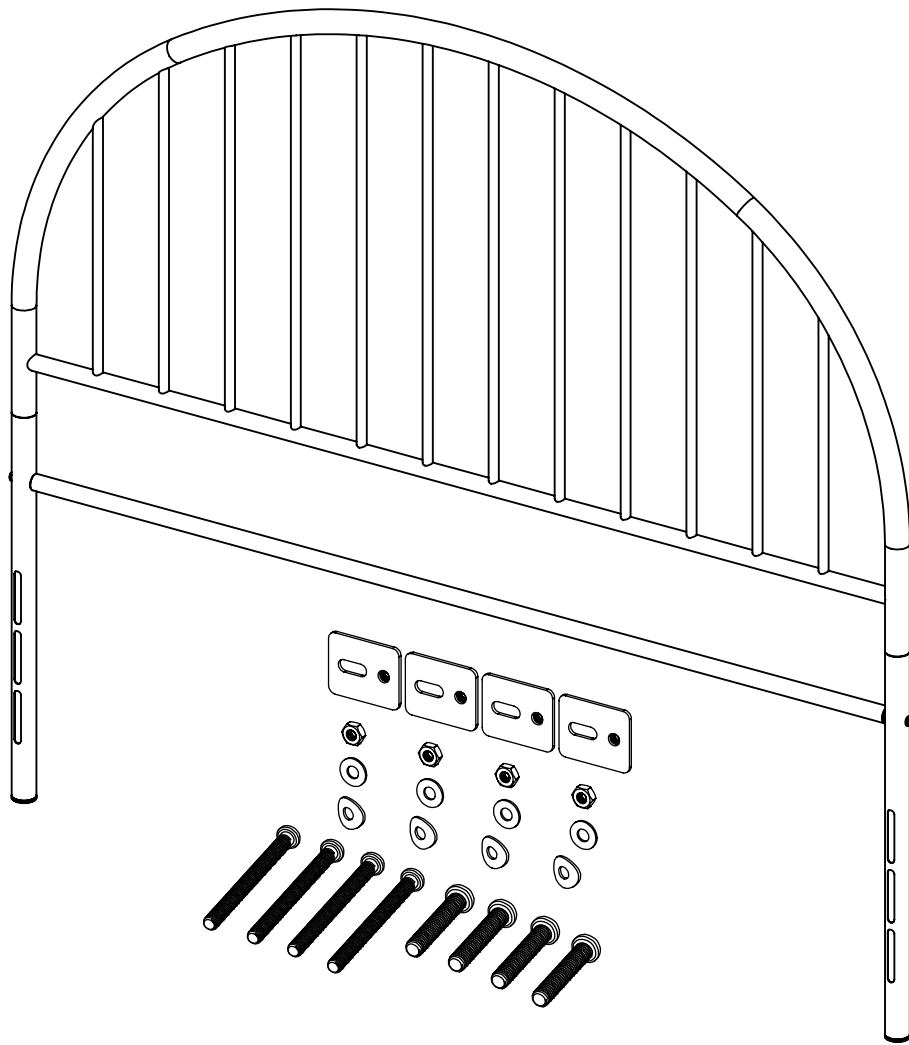
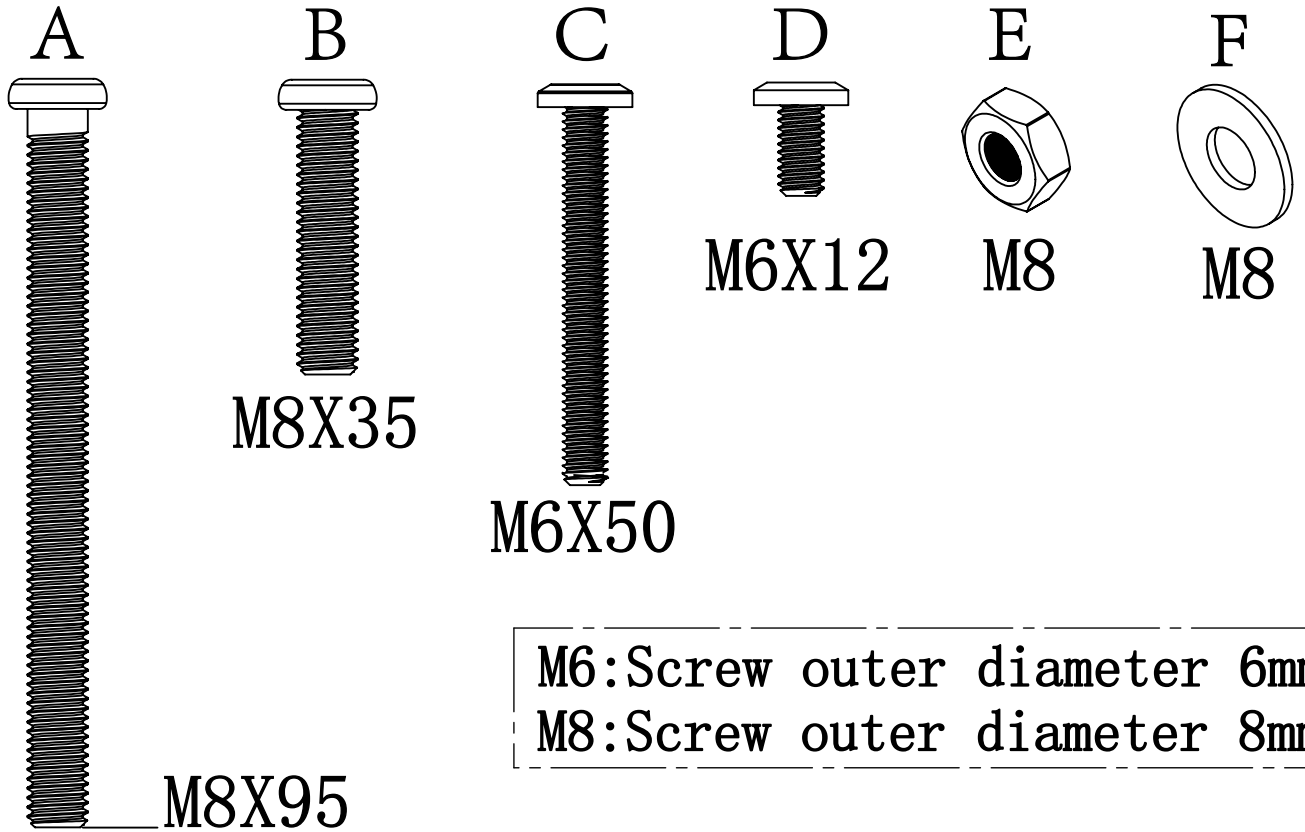


# Full

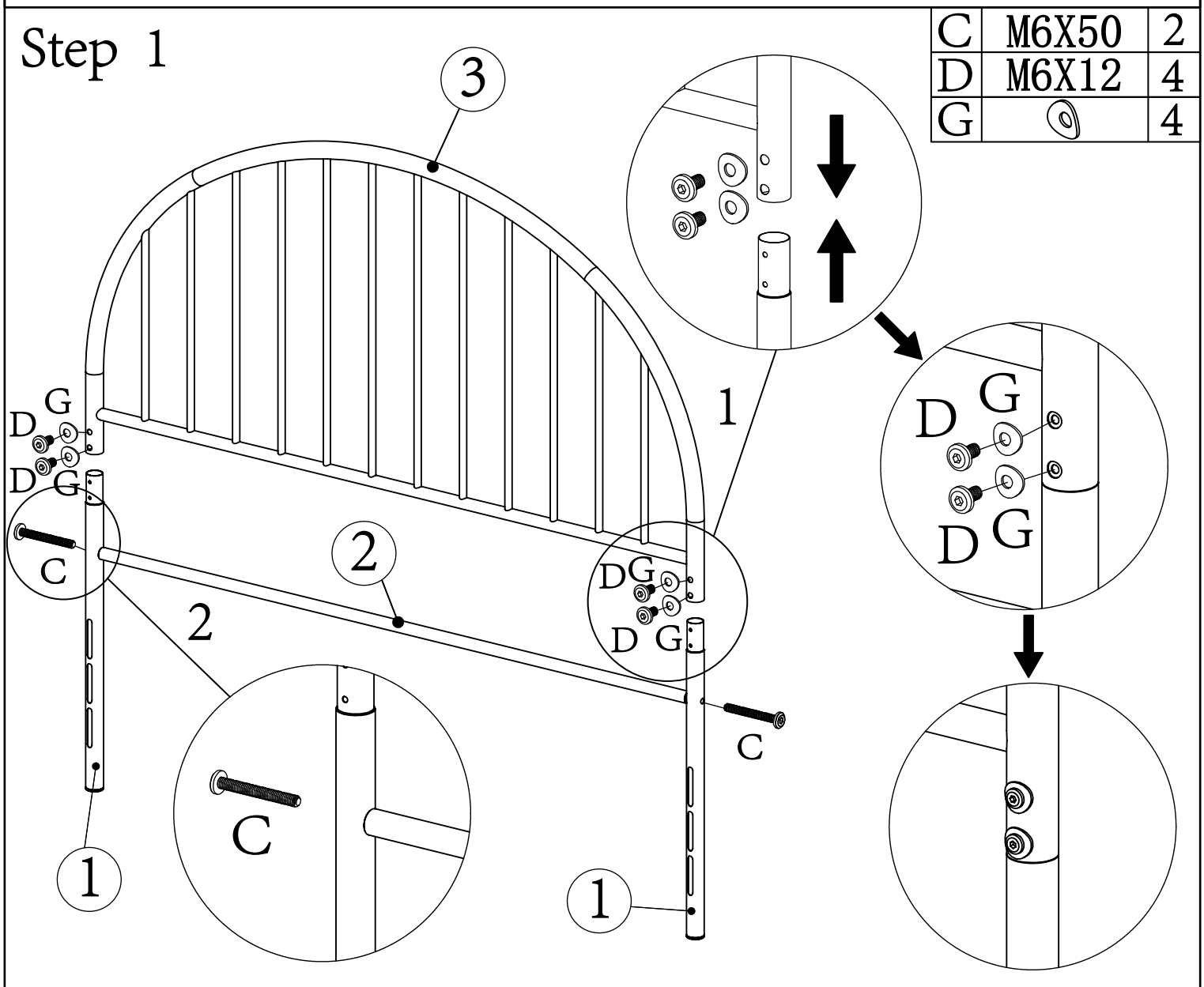


Difference screws display(1:1)




M6:Screw outer diameter 6mm  
 M8:Screw outer diameter 8mm

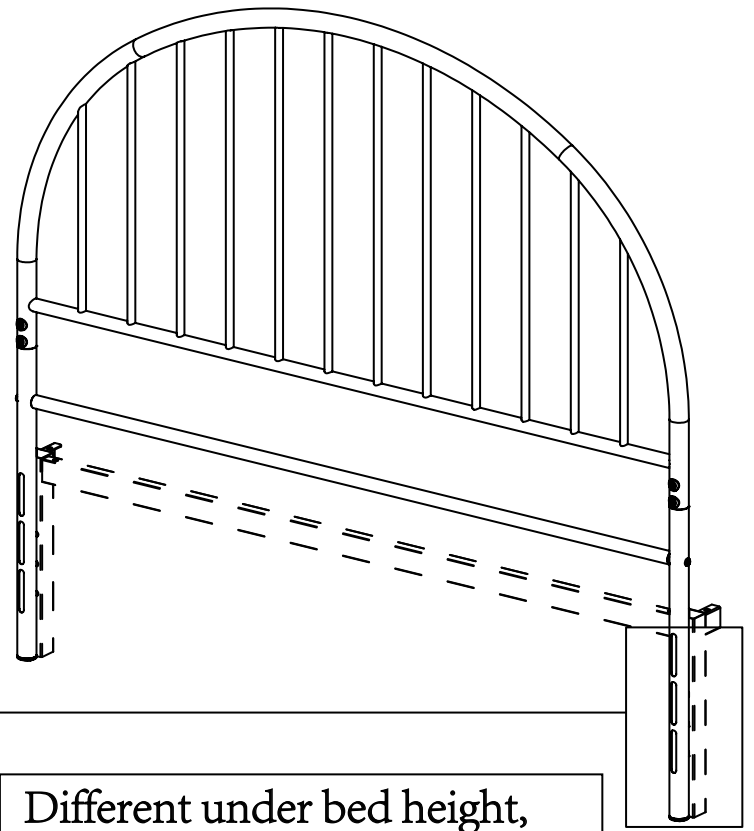
Step 1



# Step 2

A	M8X95	4
B	M8X35	4
E	M8	4
F	M8	4
G		4

Select the suitable assembly scheme based on the requirement.



★ :When assembling Part 4, please pay attention to the direction. The direction to the left or right is adjustable.

Different under bed height, use different assembled height.

