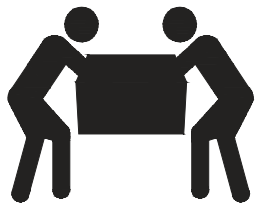


FSDL-V1

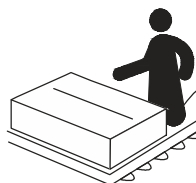
HGC-7103
BC-7113

Notice:

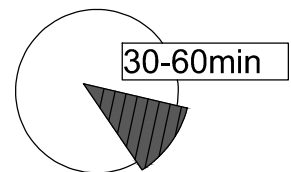
1. Follow the installation instructions. Please confirm all accessories are preset before installation.
2. Do not fully tighten the screws during initial assembly. Fully tighten screws only once all pieces which are correctly assembled.
3. If you encounter any problems during installation, please contact our customer service.
4. Please unbox the item from the side with an open-label and put a carpet on the floor to avoid scratching it.



Recommended installers: 2

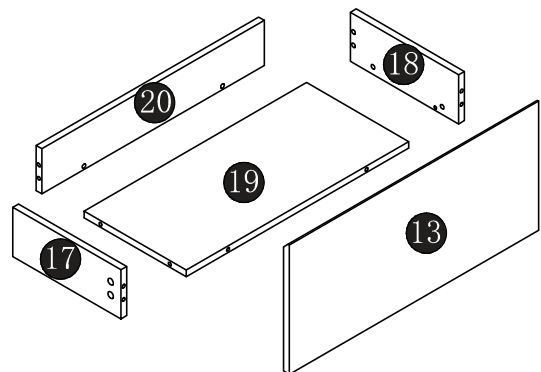
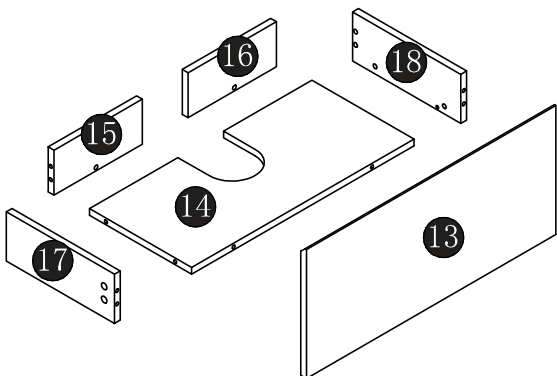
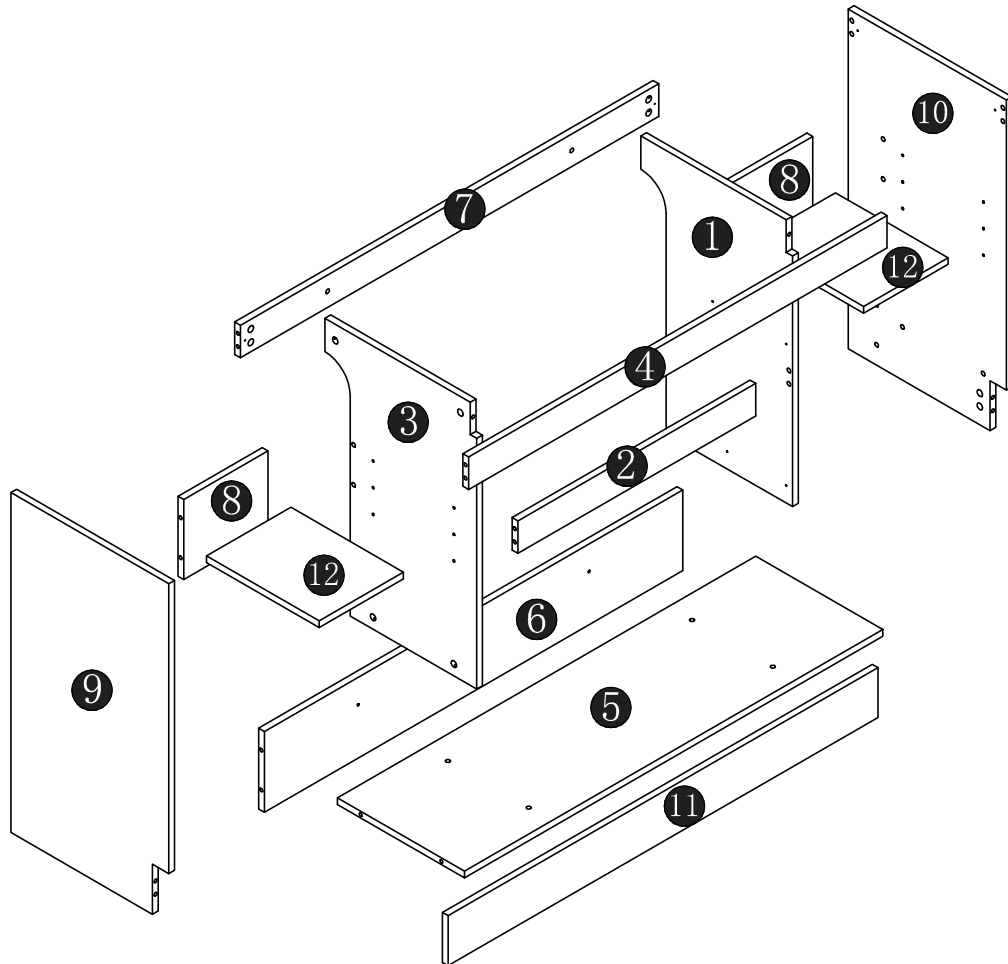


Put a carpet on the floor
before unpacking

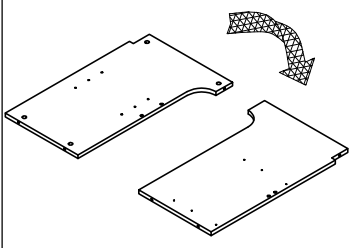
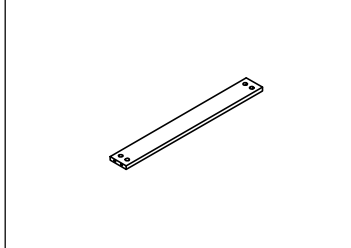
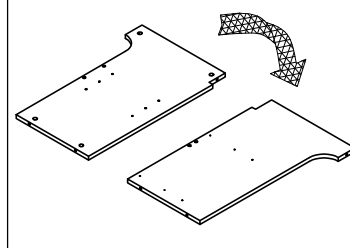
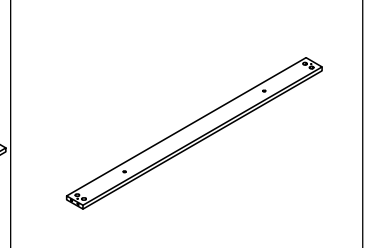
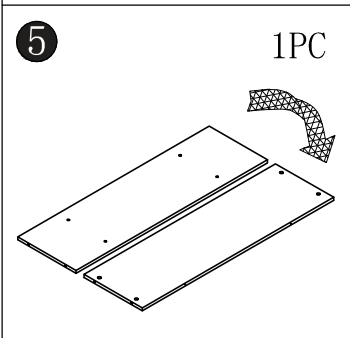
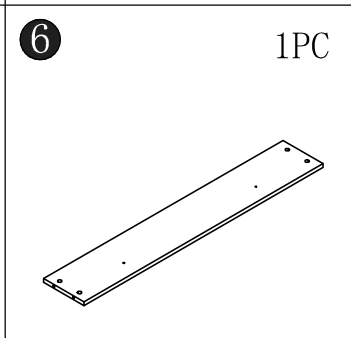
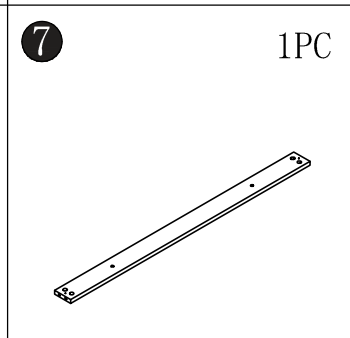
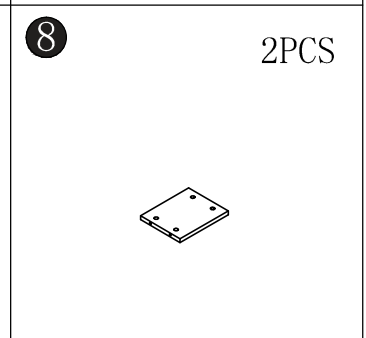
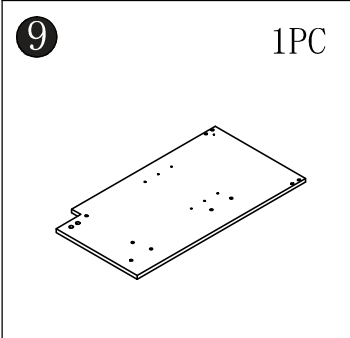
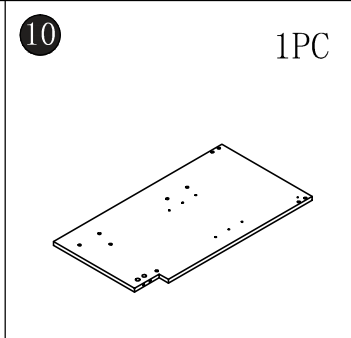
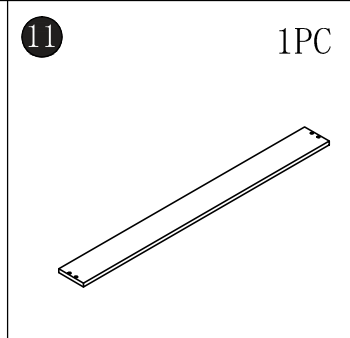
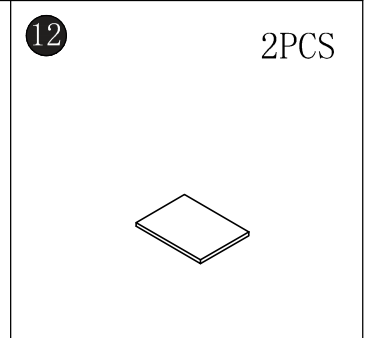
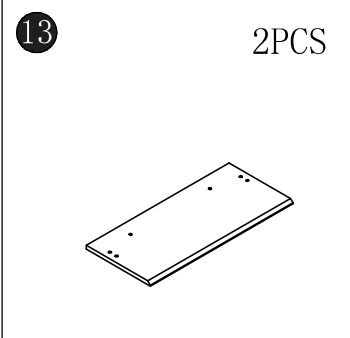
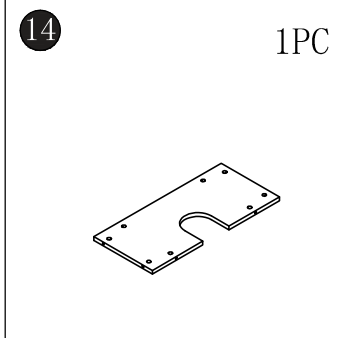
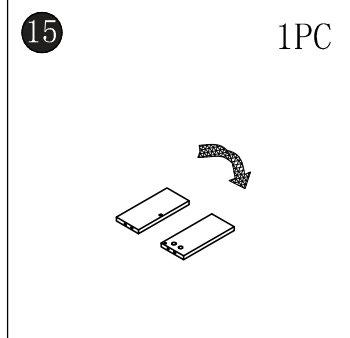
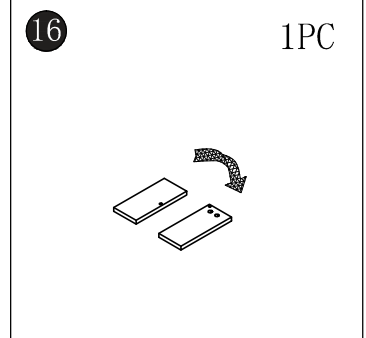
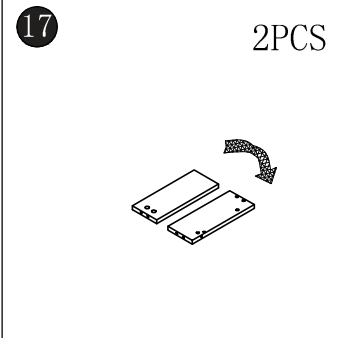
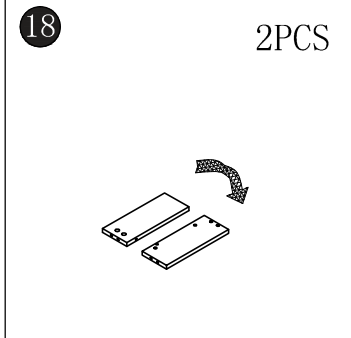
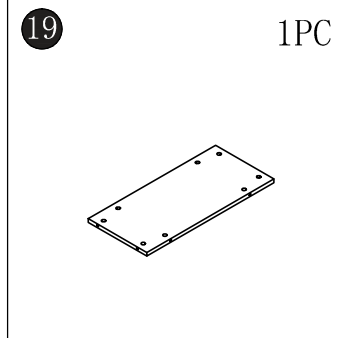
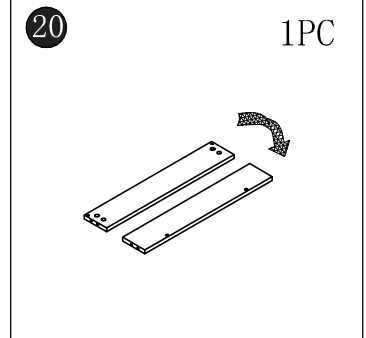


Estimate installation time:
60 minutes



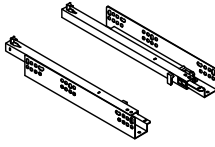
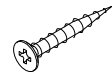
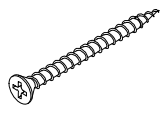
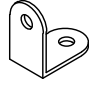
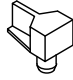
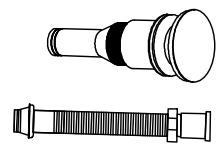
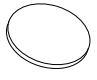
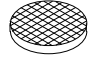
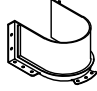

ASSEMBLY INSTRUCTION



ASSEMBLY INSTRUCTION

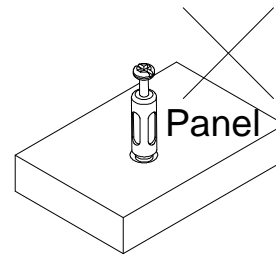
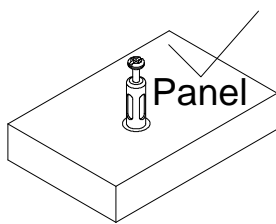
1 1PC 	2 1PC 	3 1PC 	4 1PC 
5 1PC 	6 1PC 	7 1PC 	8 2PCS 
9 1PC 	10 1PC 	11 1PC 	12 2PCS 
13 2PCS 	14 1PC 	15 1PC 	16 1PC 
17 2PCS 	18 2PCS 	19 1PC 	20 1PC 

ASSEMBLY INSTRUCTION

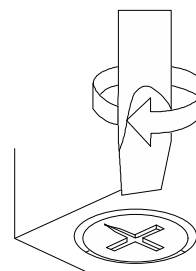
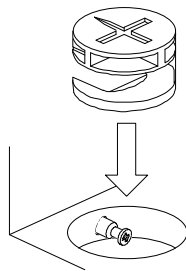
<p>A 72PCS</p>  <p>M6*40</p>	<p>B 72PCS</p>  <p>∅15*10</p>	<p>C 2sets</p> 	<p>D 33PCS</p>  <p>∅3.5*14</p>
<p>E 2PCS</p>  <p>∅3.5*35</p>	<p>F 4PCS</p> 	<p>G 8PCS</p> 	<p>H 1set</p> 
<p>I 72PCS</p> 	<p>J 16PCS</p> 	<p>L 1PC</p> 	

Use the Cam Lock and Eccentric Wheel ECCENTRIC WHEEL

Tighten the bolt until the shoulder is aligned with the panel.
Be suer not to tighten too much or too little.



The pre-inserted nut should align with the center of the cam lock when joining two panels. The cam lock should be inserted before the eccentric wheel.



Turn the cam lock clockwise to tighten

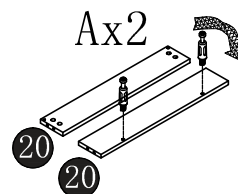
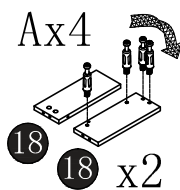
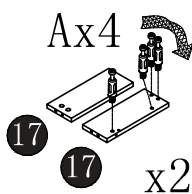
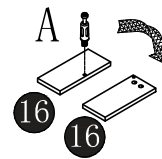
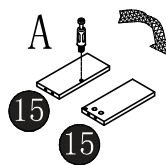
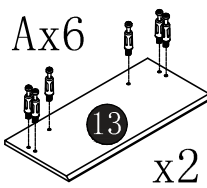
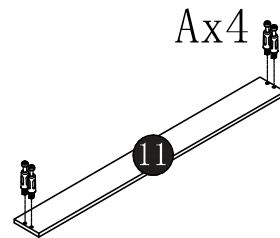
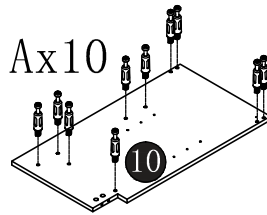
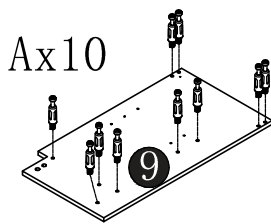
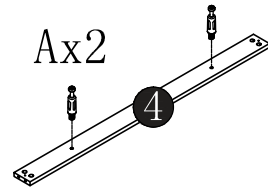
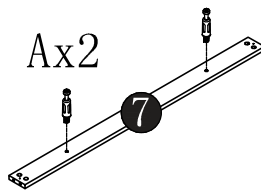
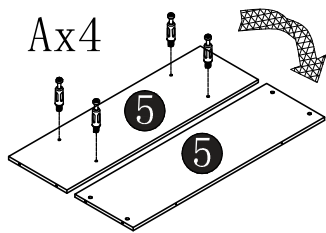
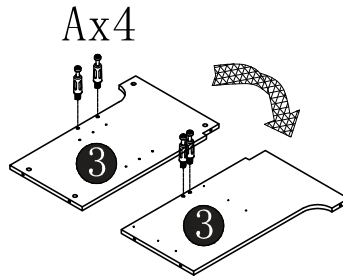
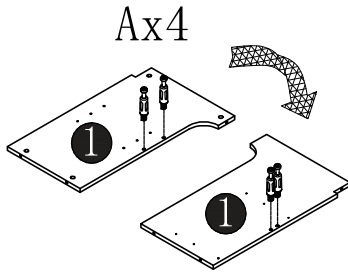
ASSEMBLY INSTRUCTION

Step 1

A 72PCS

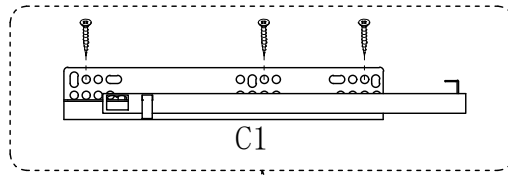
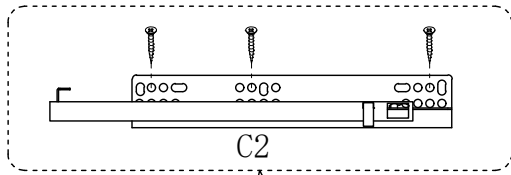


M6*40

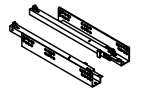


ASSEMBLY INSTRUCTION

Step 2



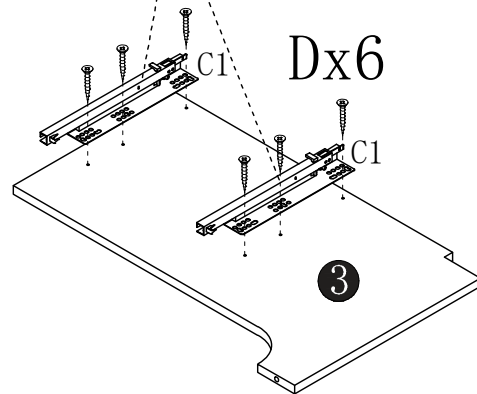
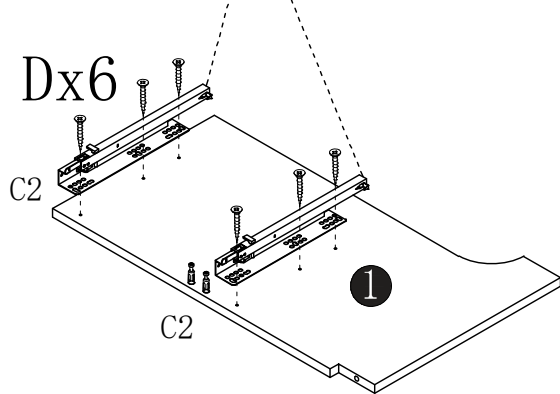
C 2sets



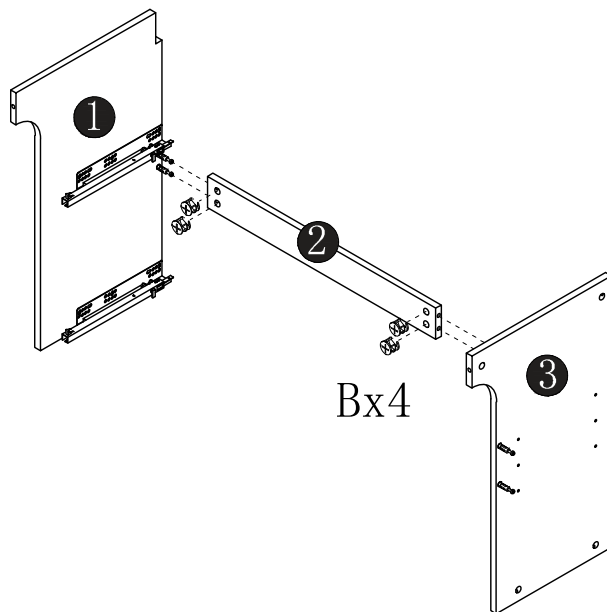
D 12PCS



Ø3.5*14



Step 3



B 4PCS



Ø15*10mm

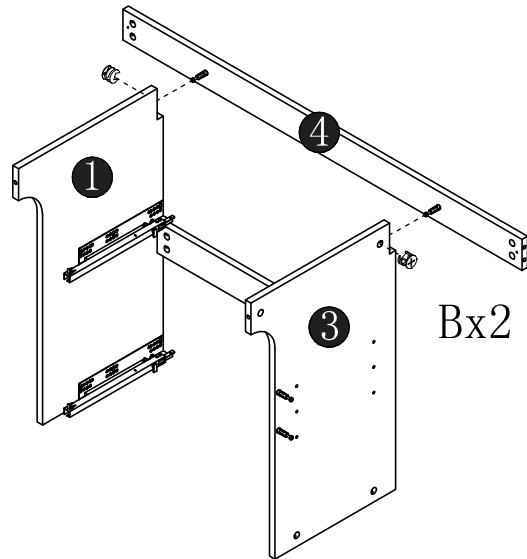
ASSEMBLY INSTRUCTION

Step 4

B 2PCS



Ø15*10mm

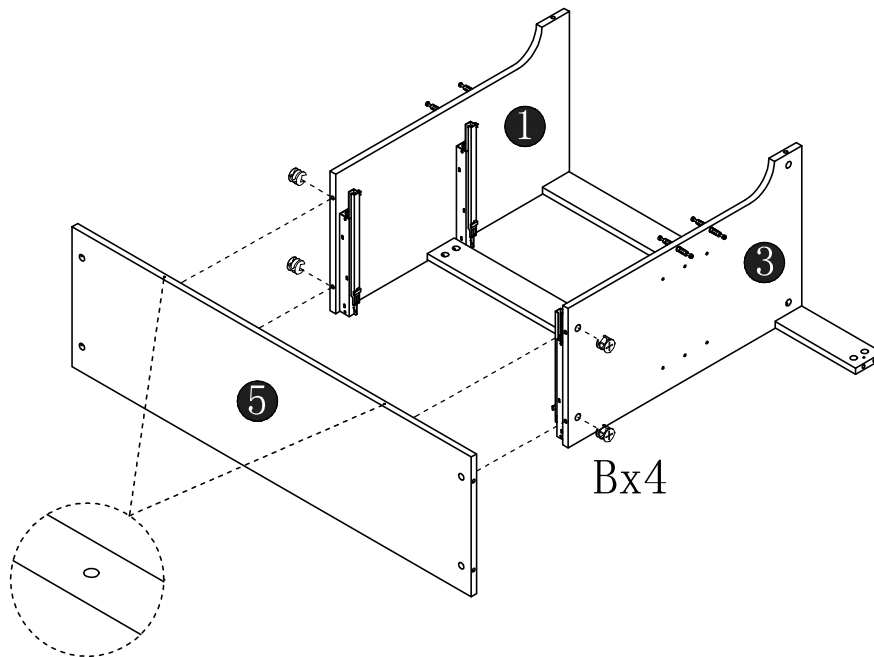


Step 5

B 4PCS




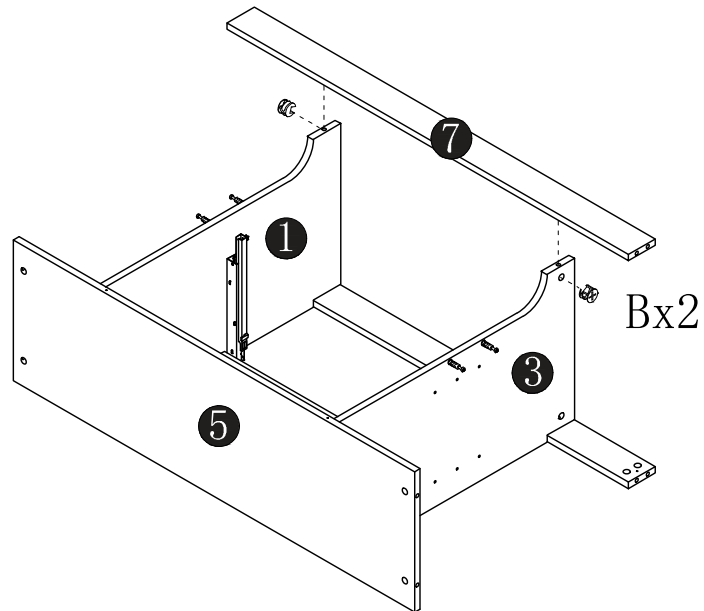
Ø15*10mm




ASSEMBLY INSTRUCTION

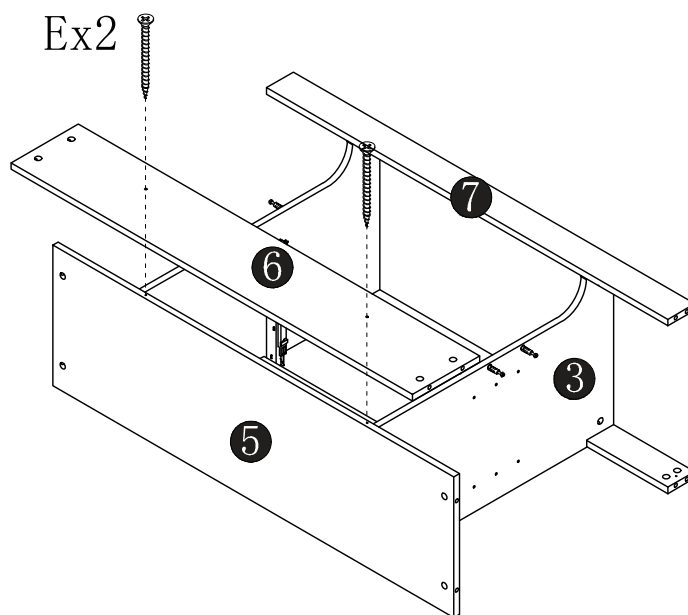
Step 6

B 2PCS

Ø15*10mm



Step 7

E 2PCS

Ø3.5*35



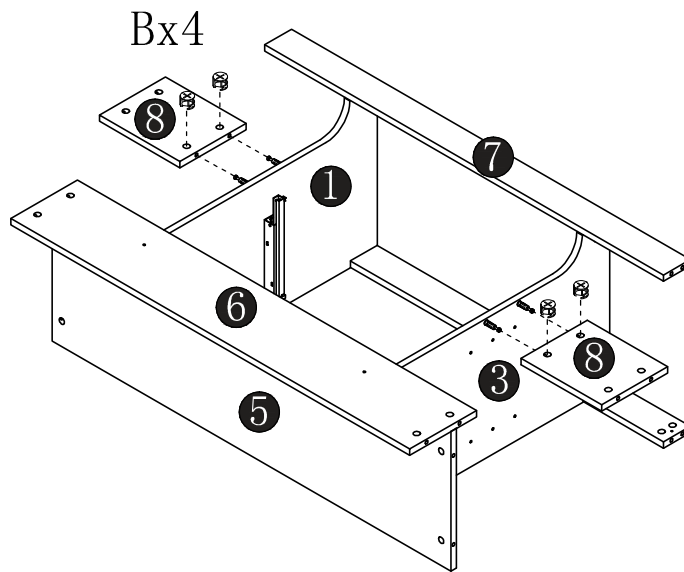
ASSEMBLY INSTRUCTION

Step 8

B 4PCS



Ø15*10mm

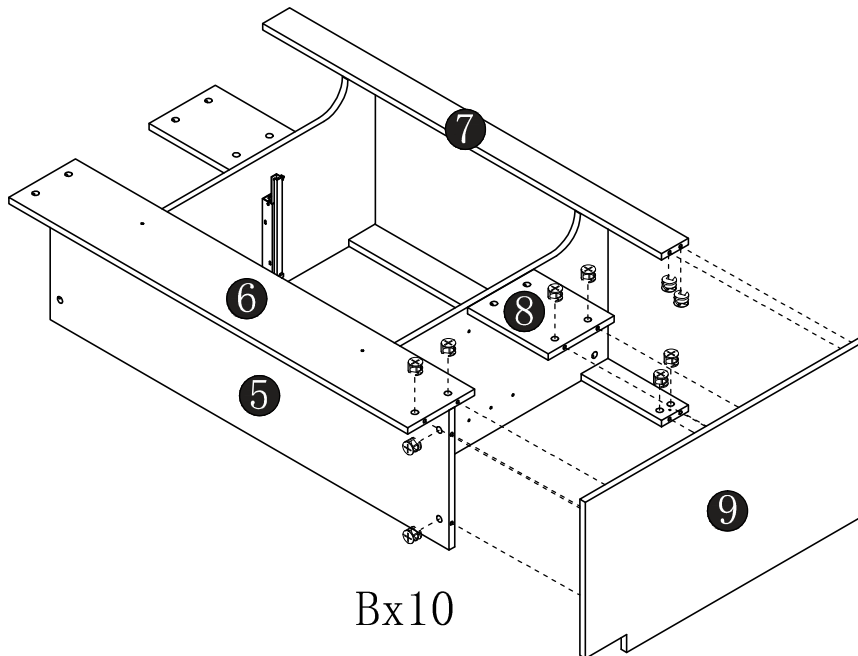


Step 9

B 10PCS



Ø15*10mm



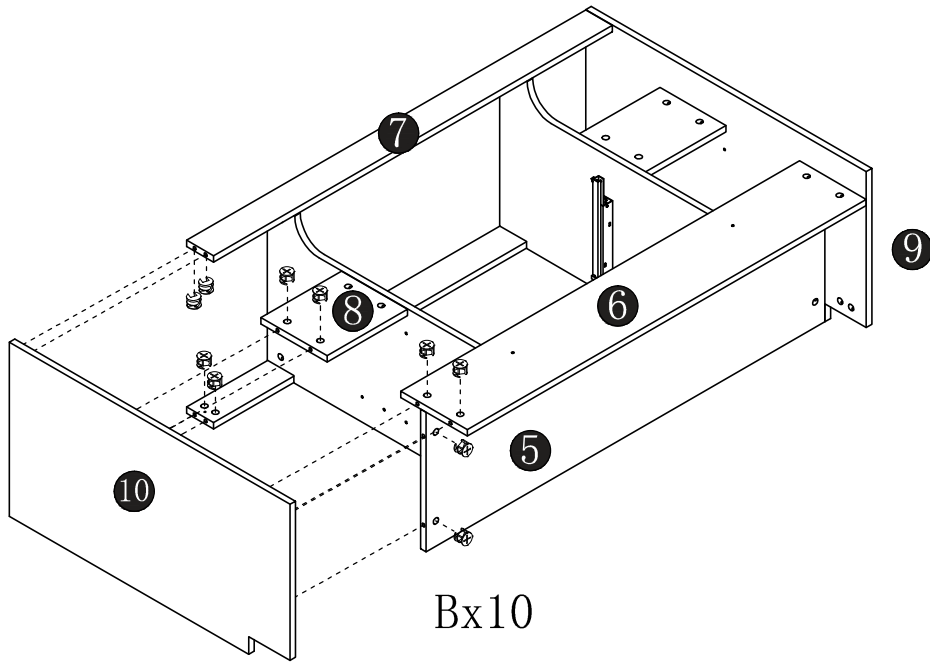
ASSEMBLY INSTRUCTION

Step 10

B 10PCS



Ø15*10mm

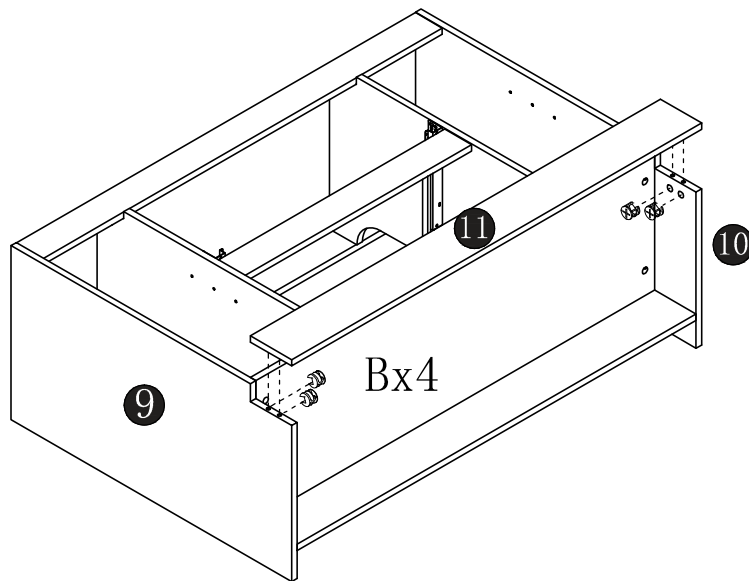


Step 11

B 4PCS



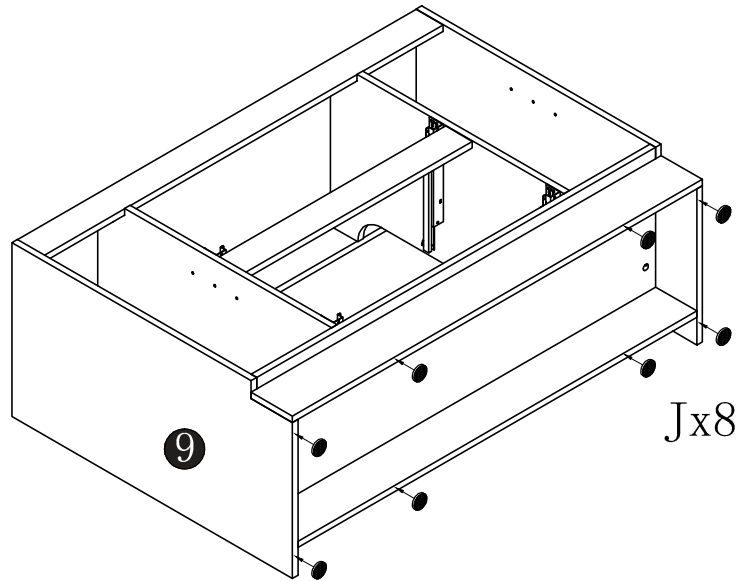
Ø15*10mm



ASSEMBLY INSTRUCTION

Step 12

J 8PCS



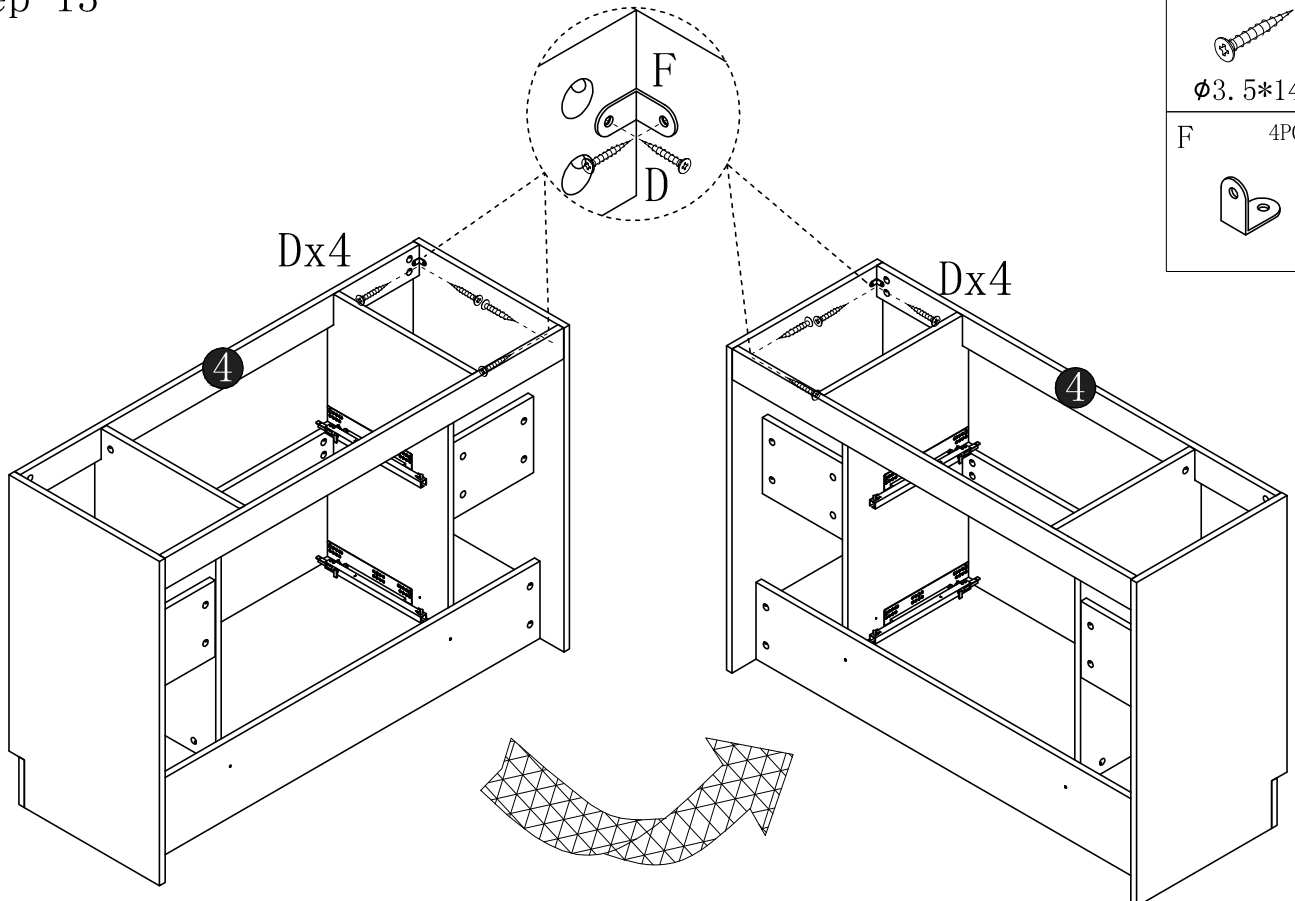
Step 13

D 8PCS



Ø3.5*14

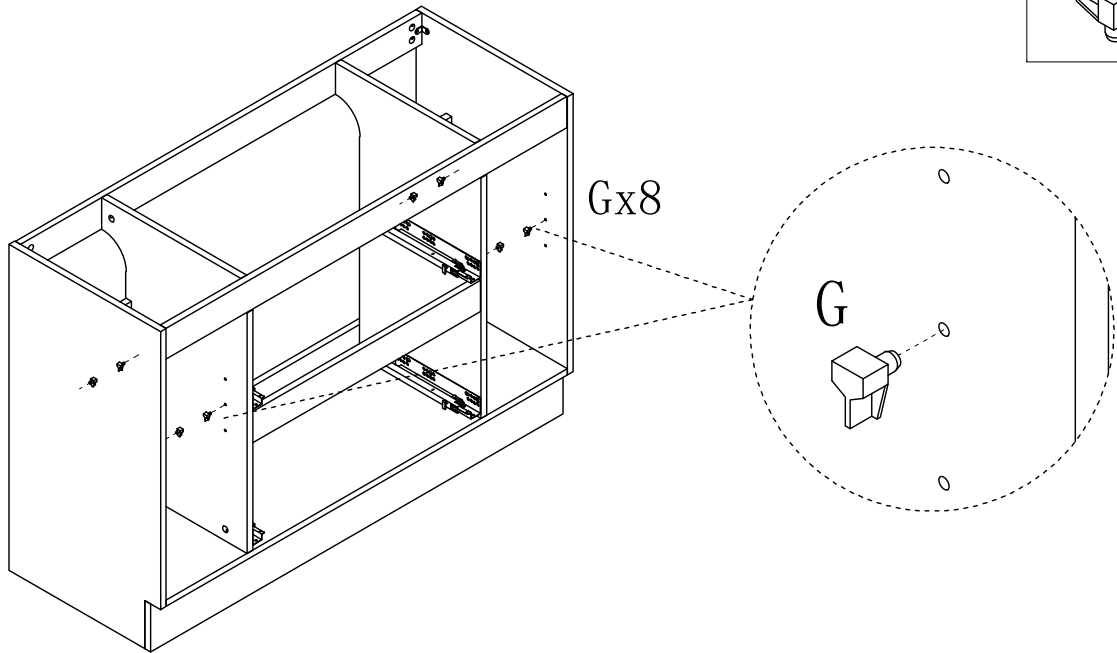
F 4PCS



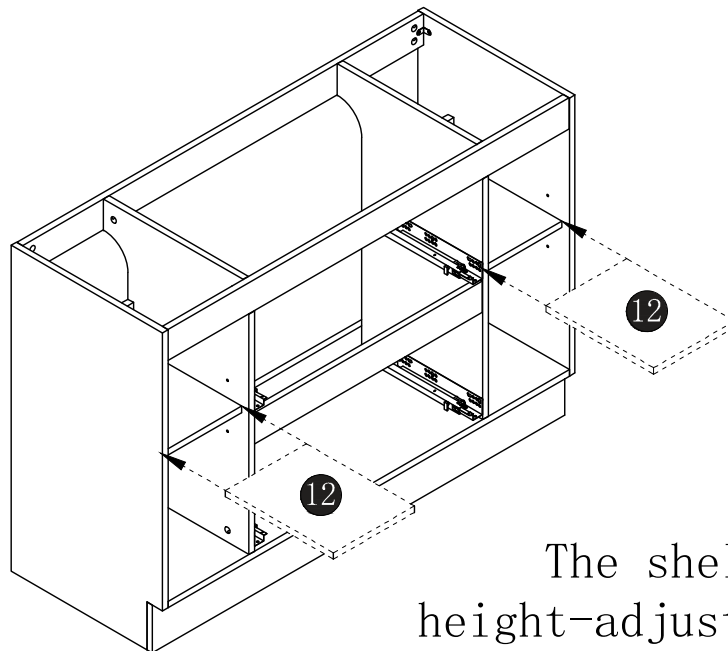
ASSEMBLY INSTRUCTION

Step 14

G 8PCS



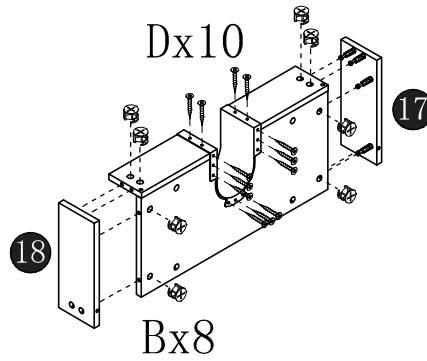
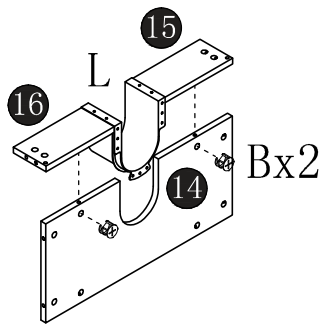
Step 15



The shelves are height-adjustable and can be installed at different levels to suit your needs.

ASSEMBLY INSTRUCTION

Step 16



B 16PCS



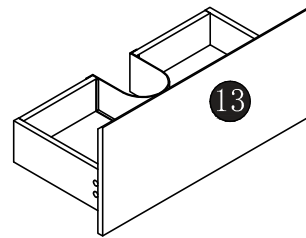
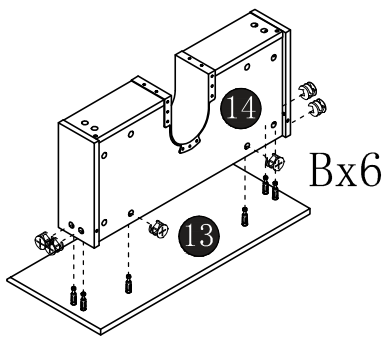
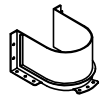
Ø15*10mm

D 10PCS

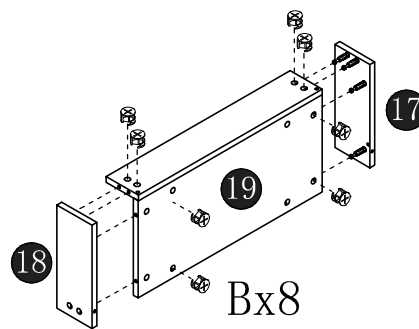
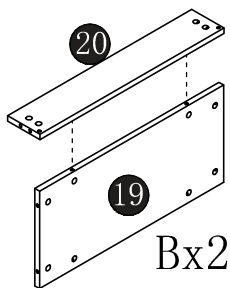


Ø3.5*14

L 1PC



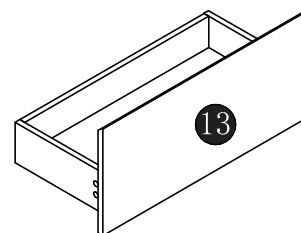
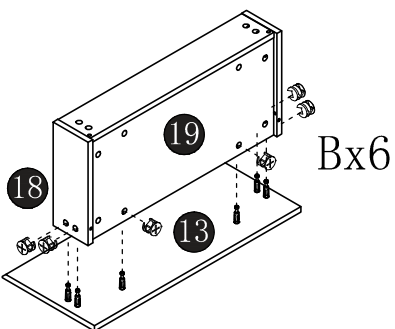
Step 17



B 16PCS



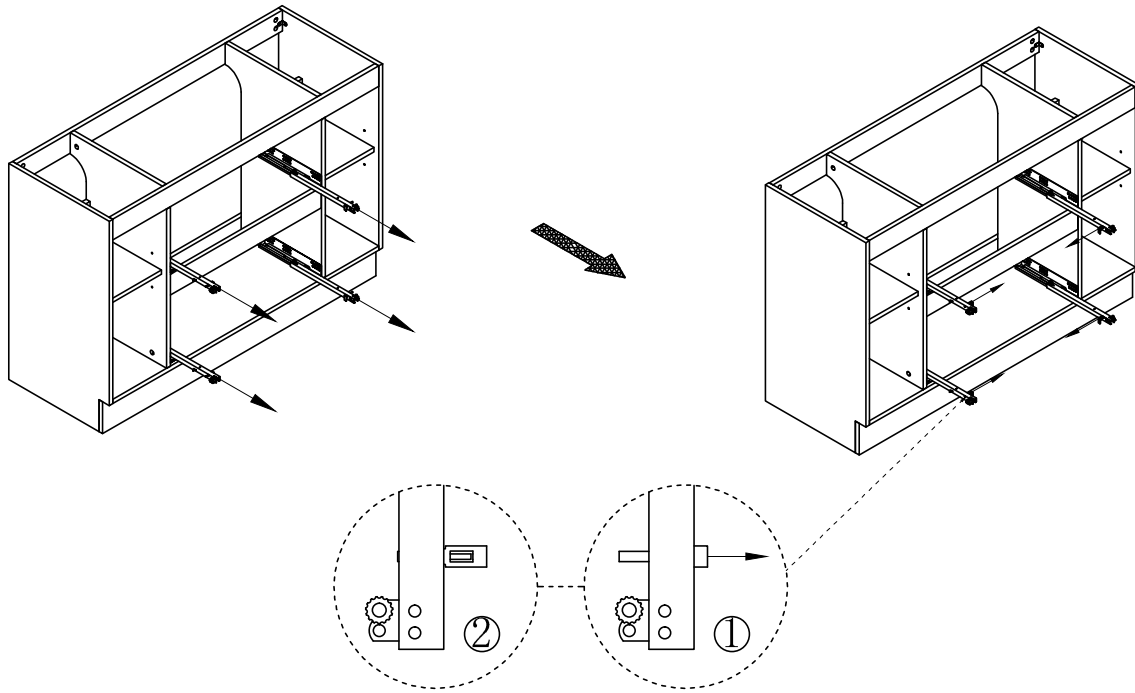
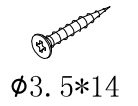
Ø15*10mm



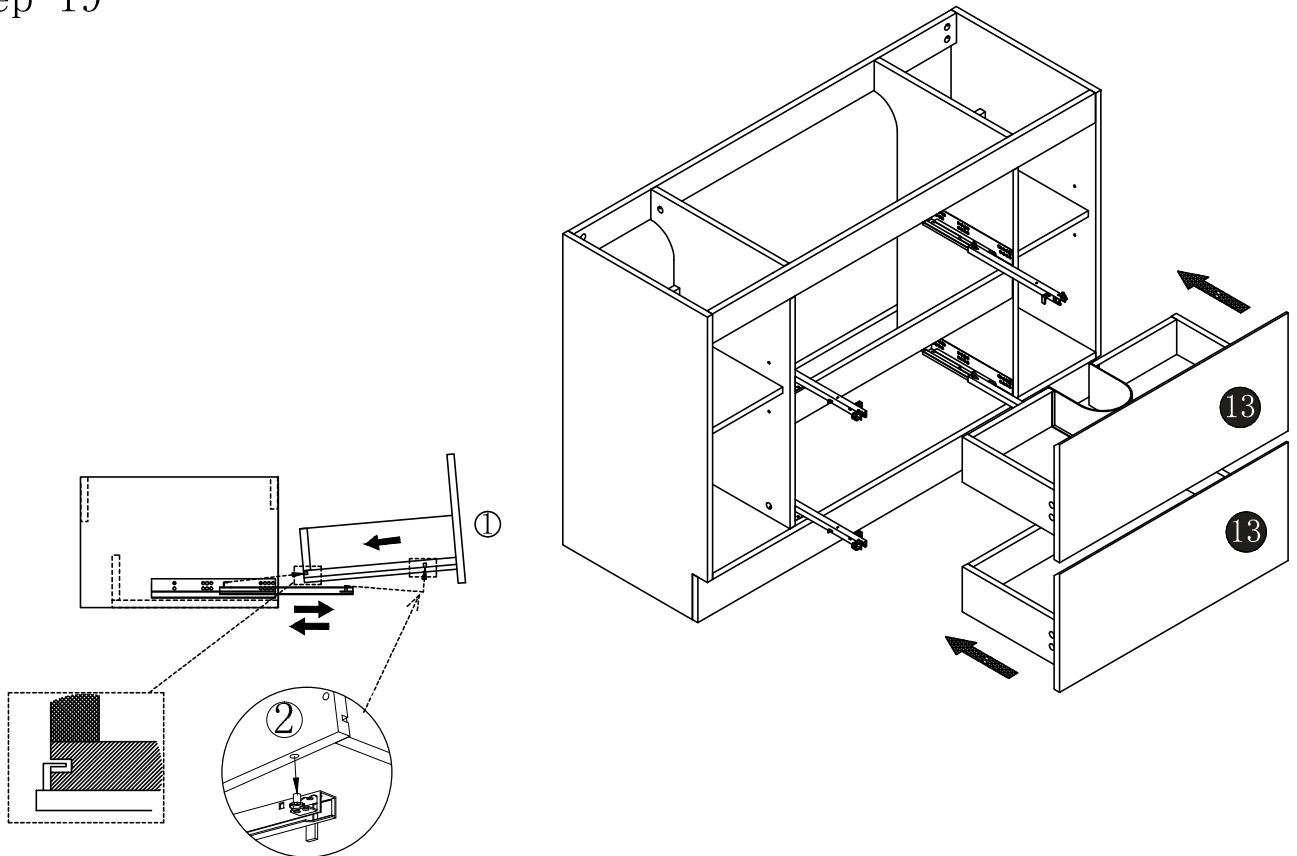
ASSEMBLY INSTRUCTION

Step 18

D 8PCS


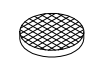


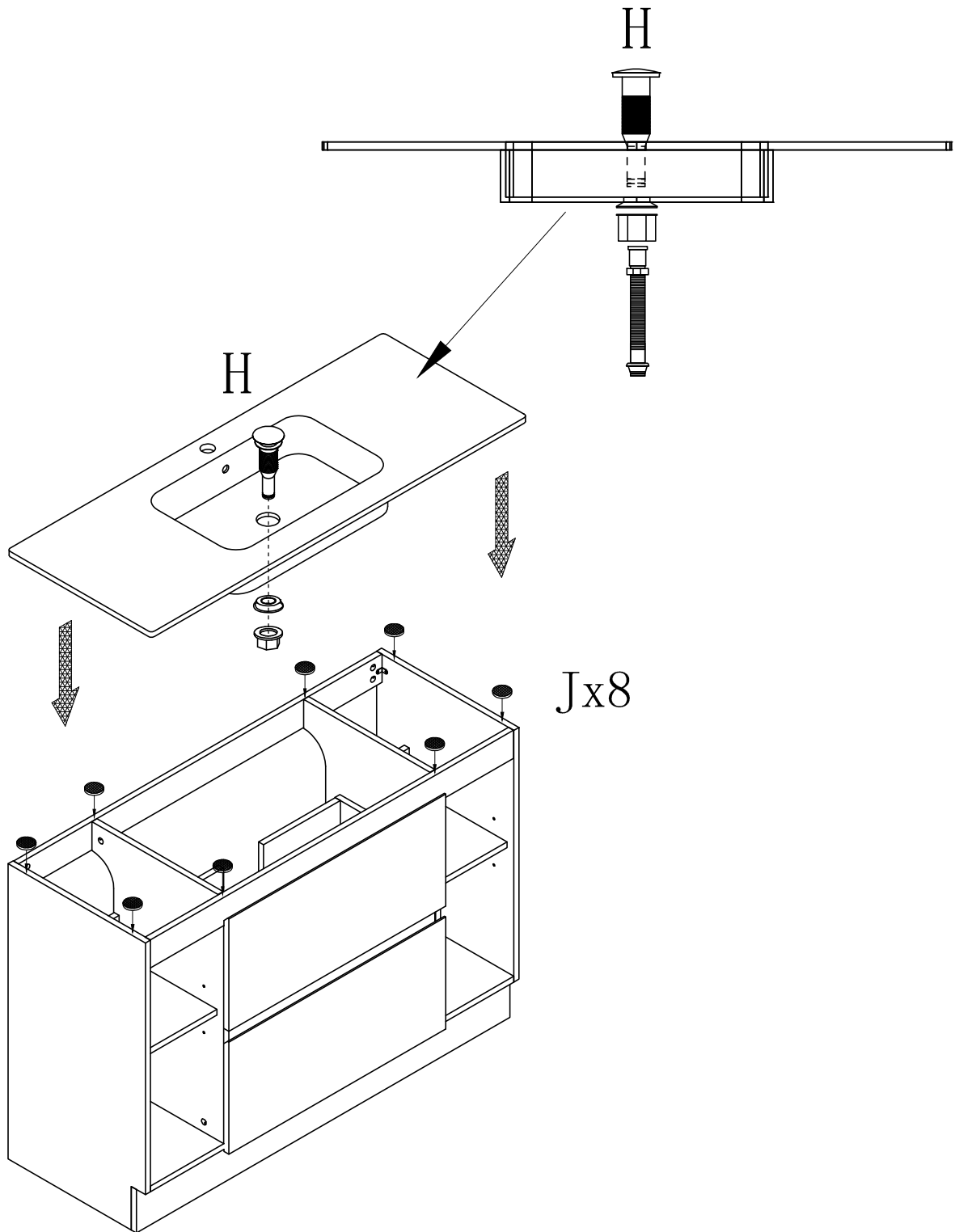
Step 19



ASSEMBLY INSTRUCTION

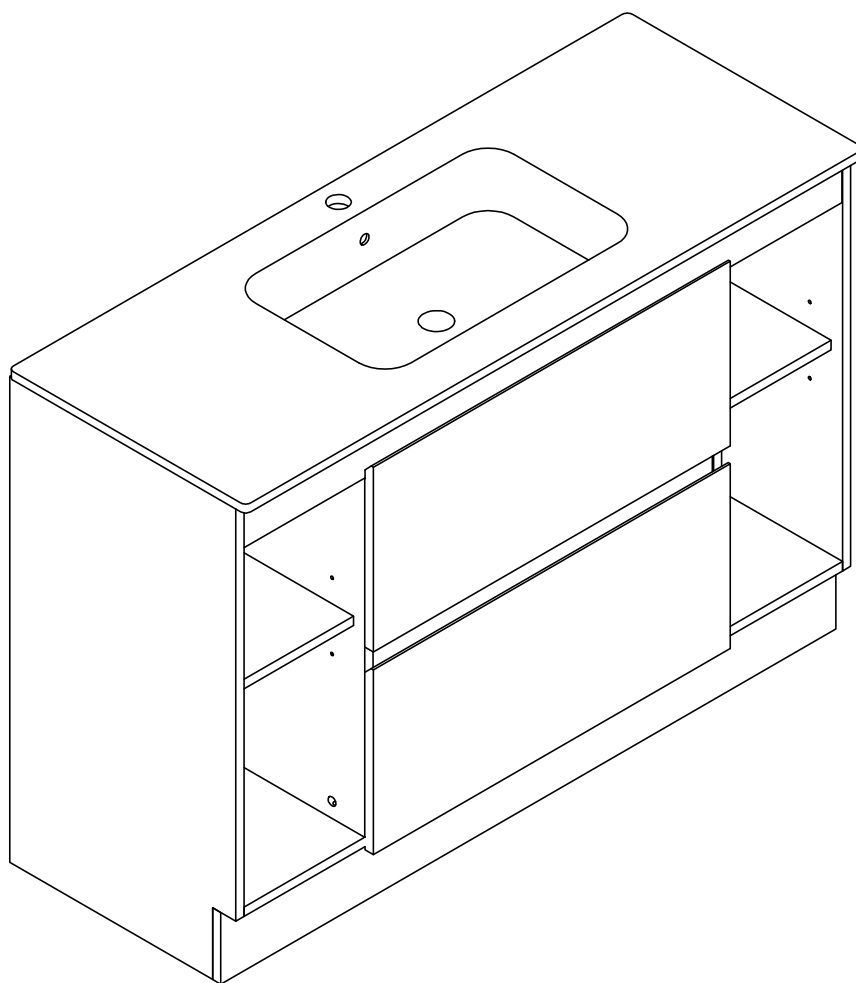
Step 20

H	1set	J	8PCS
			



ASSEMBLY INSTRUCTION

Step 21



OK