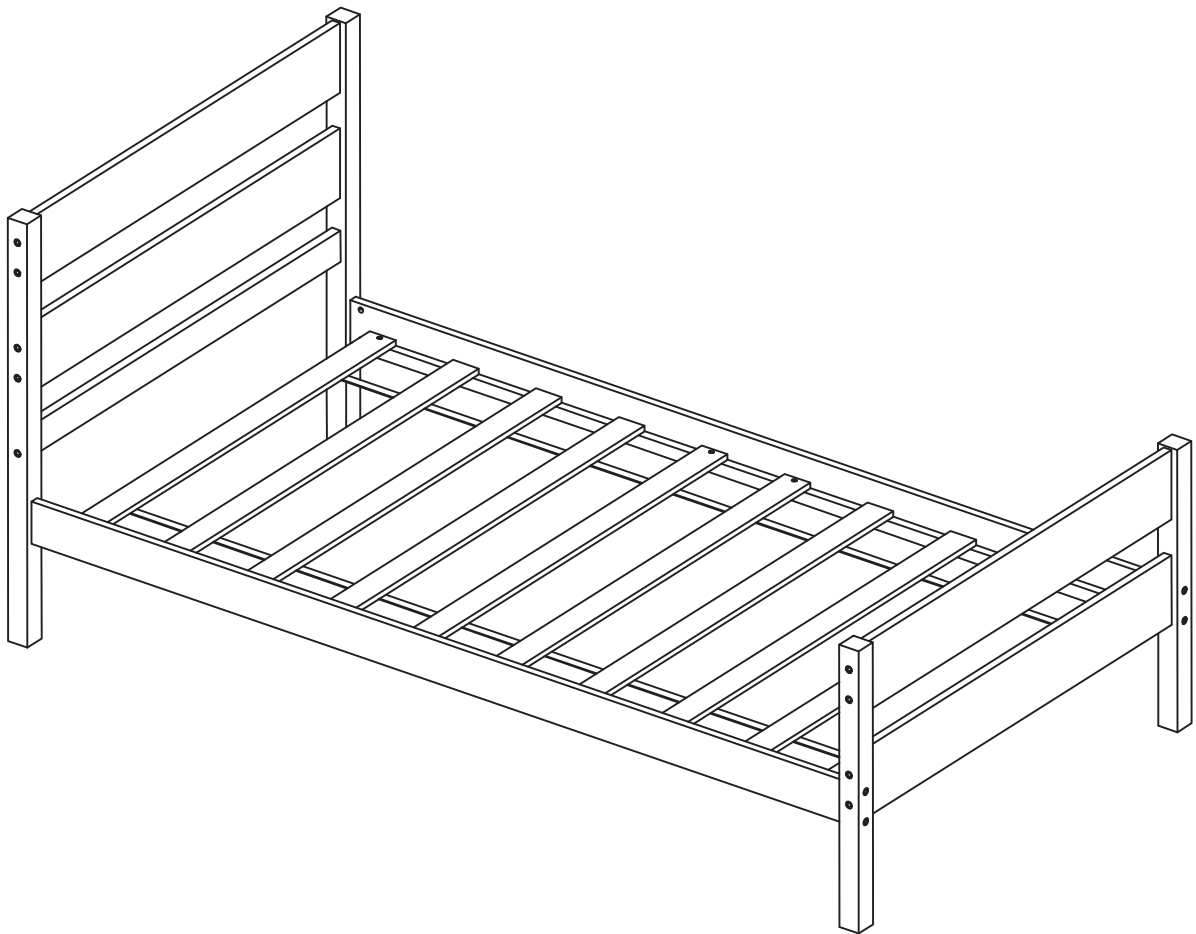
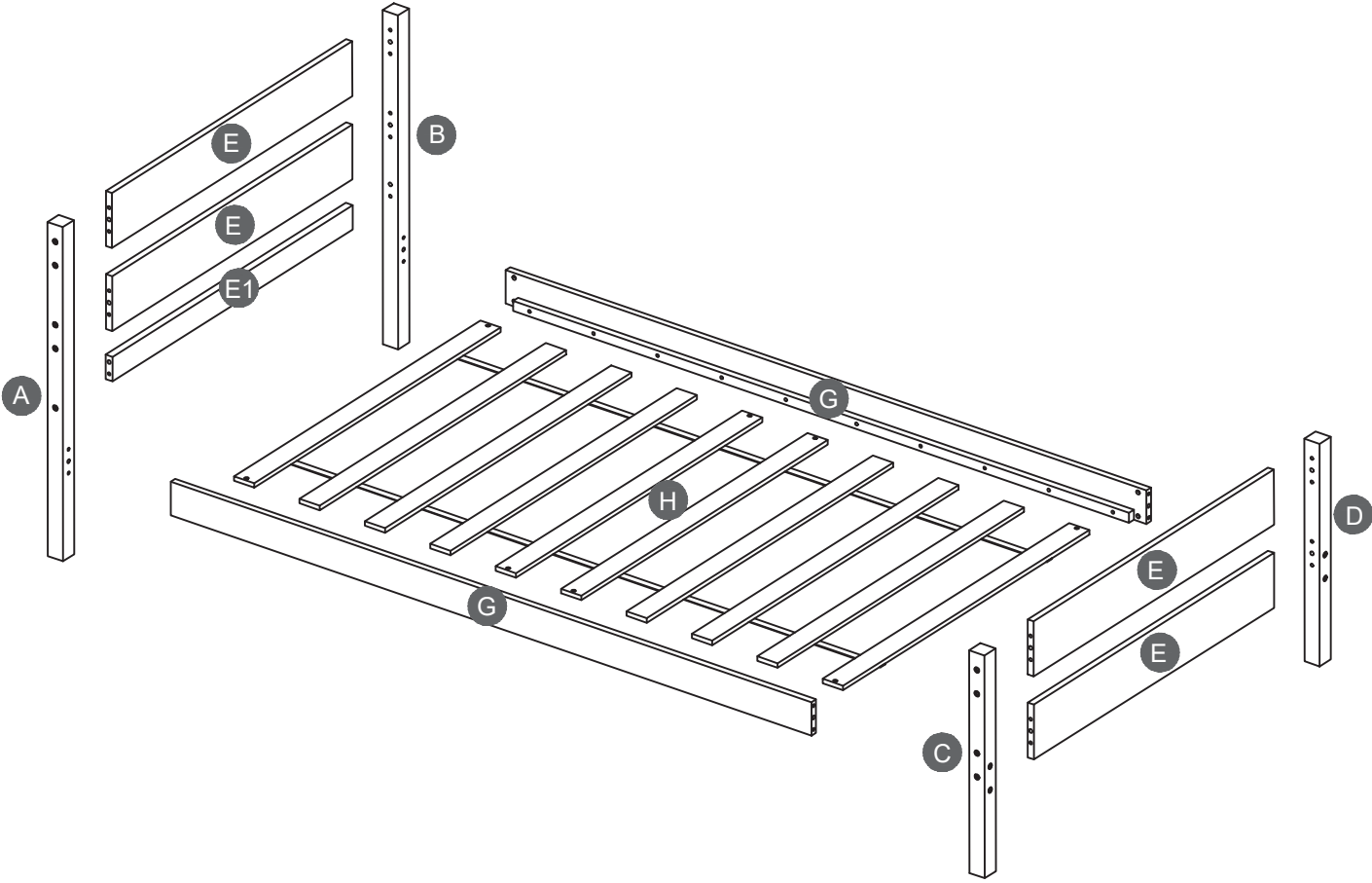


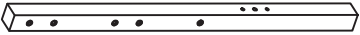
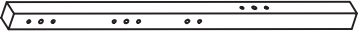


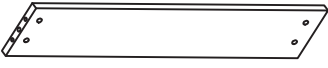



ASSEMBLY INSTRUCTIONS



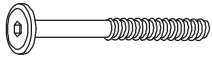

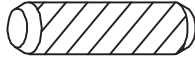


Detail View



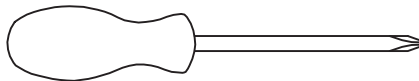
Part List

| | | |
|--|---|--|
| A  Leg (Headboard Left) - 1pc | B  Leg (Headboard Right) - 1pc | C  Leg (Footboard Left) - 1pc |
| D  Leg (Footboard Right) - 1pc | E  Panel (Headboard & Footboard) - 4pcs | E1  Bottom Panel (Headboard) - 1pc |
| G  Side Rail - 2pcs | H  Bed Slats - 1Set | |

Hardware List




| | | |
|--|--|---|
| 1  M6 x 80mm JCBC (26pcs) | 2  M6 x 15mm Barrel Nut (26pcs) | 3  M10 x 30mm Wood Dowel (14pcs) |
| 4  M4 x 25mm CSK Screw (8pcs) | 5  M4 Allen Key (1pc) | |

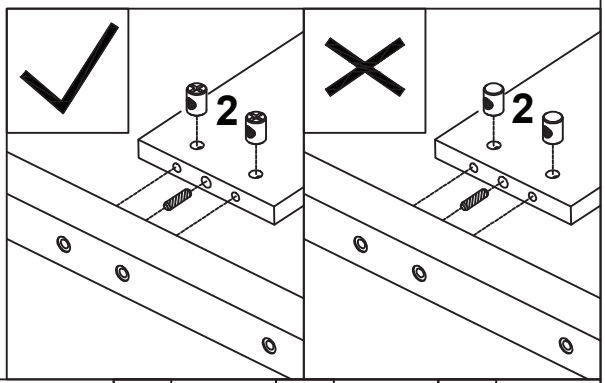
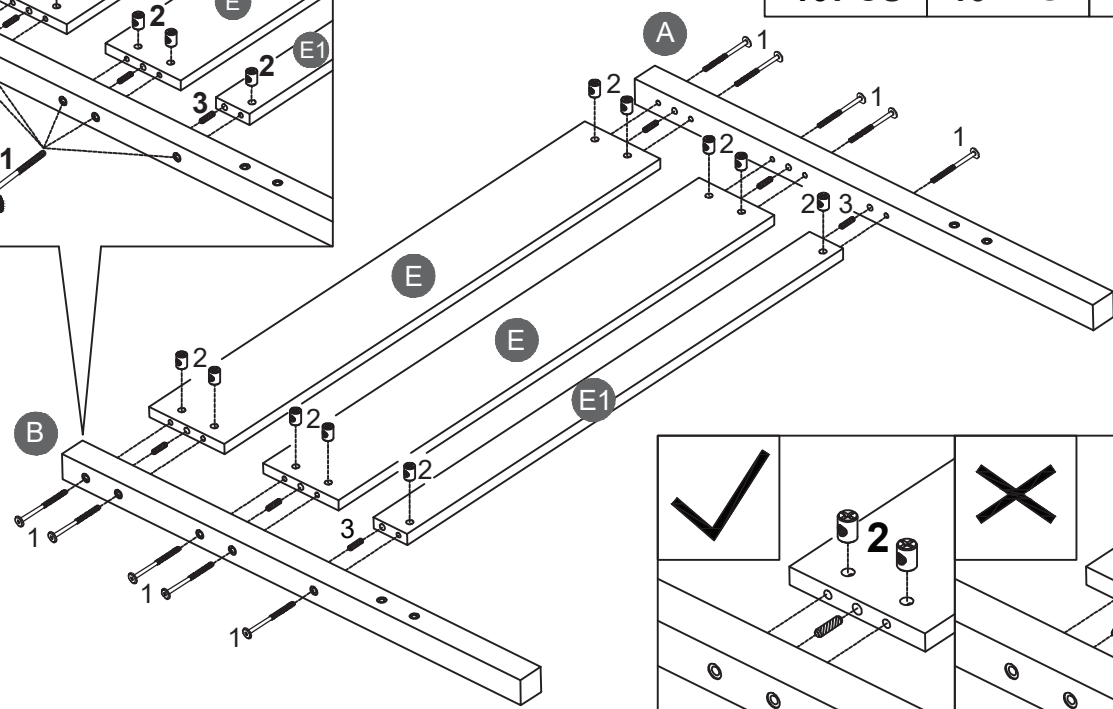
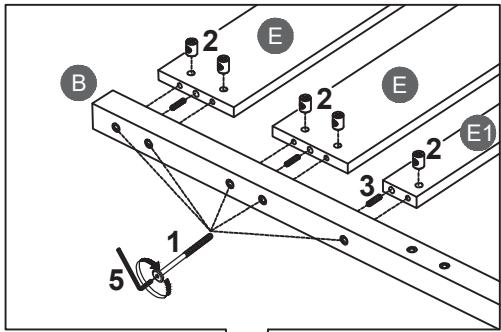
ASSEMBLY TOOLS REQUIRED (NOT INCLUDED)



PLEASE BE CAREFUL DO NOT DAMAGE THE HOLE POSITION WHEN YOU USE POWER TOOLS !




STEP 1:

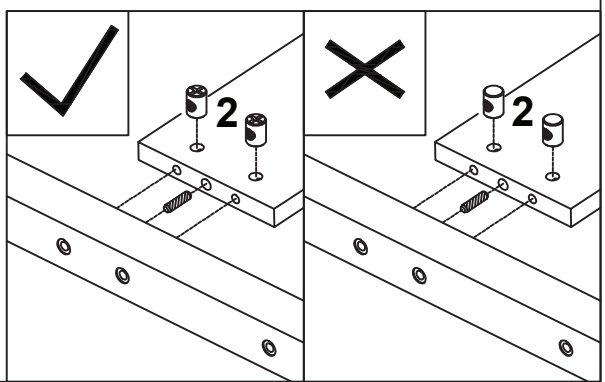
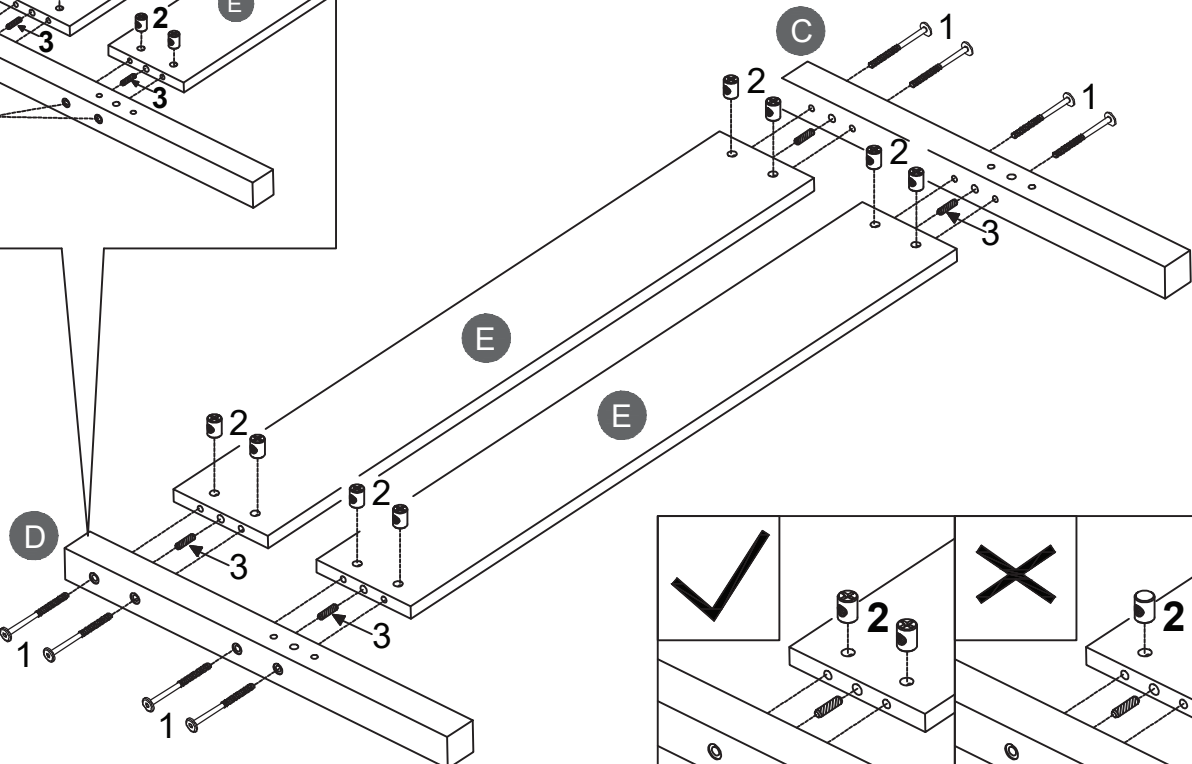
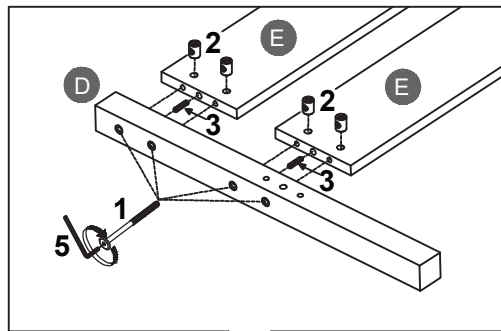
| | | | | | |
|--------------|--|--------------|---|-------------|--|
| 1 |  | 2 |  | 3 |  |
| 10PCS | | 10PCS | | 6PCS | |



Note: Part 2 will face up with the "x" mark on it, otherwise it cannot be tightened




STEP 2:

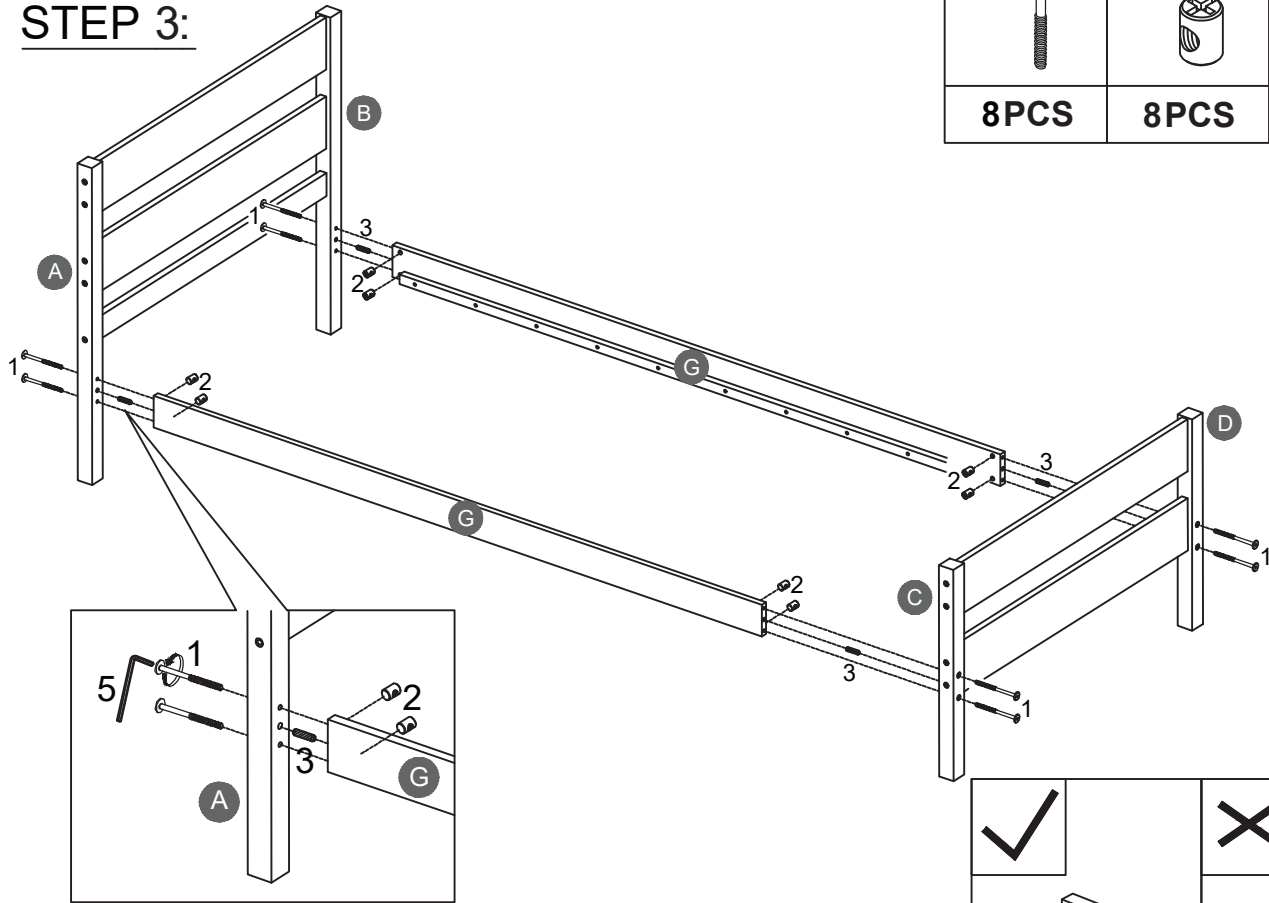
| | | | | | |
|-------------|---|-------------|---|-------------|---|
| 1 |  | 2 |  | 3 |  |
| 8PCS | | 8PCS | | 4PCS | |



Note: Part 2 will face up with the "x" mark on it, otherwise it cannot be tightened


STEP 3:

| | | | | | |
|-------------|--|-------------|---|-------------|--|
| 1 |  | 2 |  | 3 |  |
| 8PCS | | 8PCS | | 4PCS | |



Note: Part 2 will face up with the "x" mark on it, otherwise it cannot be tightened

STEP 4:

| | |
|-------------|---|
| 4 |  |
| 8PCS | |

