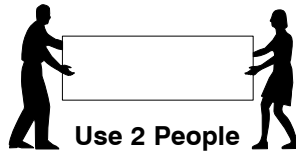
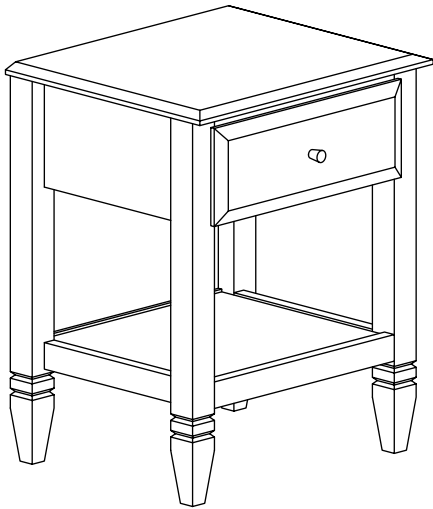


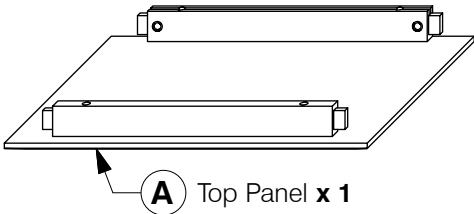
Nightstand

Assembly Instructions

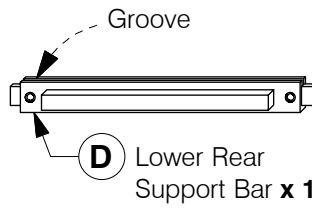


Note: Do not assemble using power tools. This can cause the bolts to be overtightened

1 Parts List

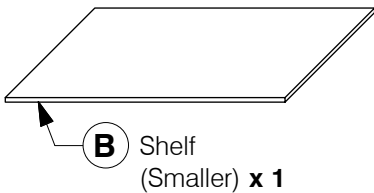


A Top Panel x 1



Groove

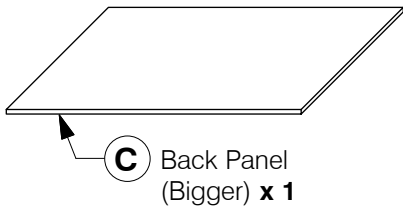
D Lower Rear Support Bar x 1



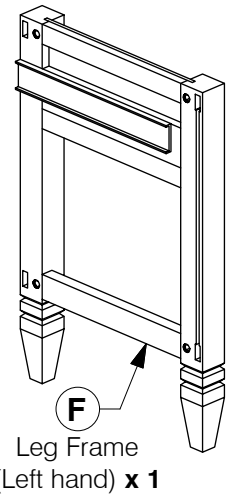
B Shelf (Smaller) x 1



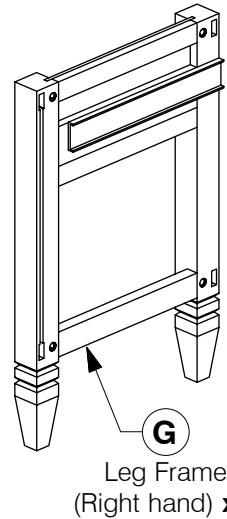
E Lower Front Support Bar x 1



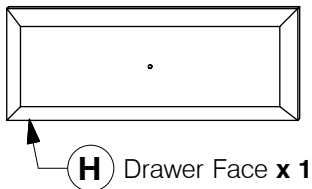
C Back Panel (Bigger) x 1



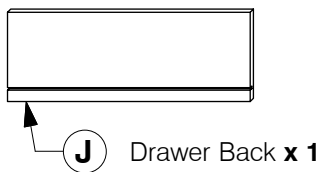
F Leg Frame (Left hand) x 1



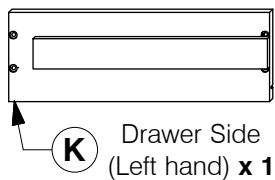
G Leg Frame (Right hand) x 1



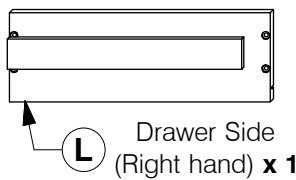
H Drawer Face x 1



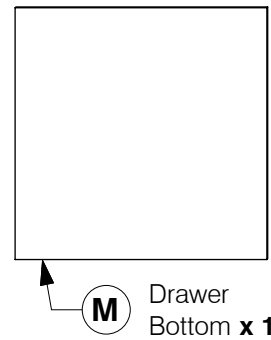
J Drawer Back x 1



K Drawer Side (Left hand) x 1



L Drawer Side (Right hand) x 1



M Drawer Bottom x 1

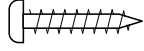
Nightstand

Assembly Instructions

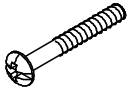
2 Hardware List



1 M6 x 15mm JCB
x 16



2 M4 x 25mm
Wood Screw
x 8



3 M4 x 22mm
Wood Screw
x 1



4 L' Bracket
(5005-3)
x 8

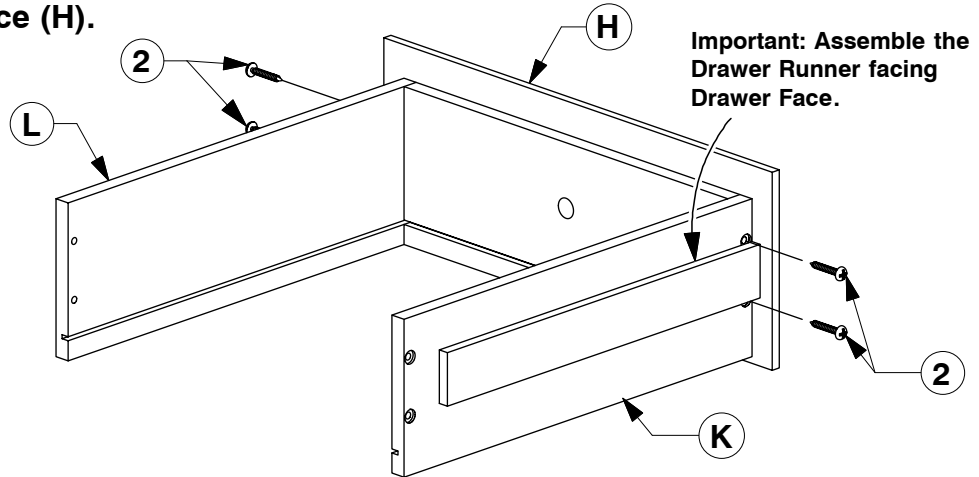


5 Handle
(1005)
x 1

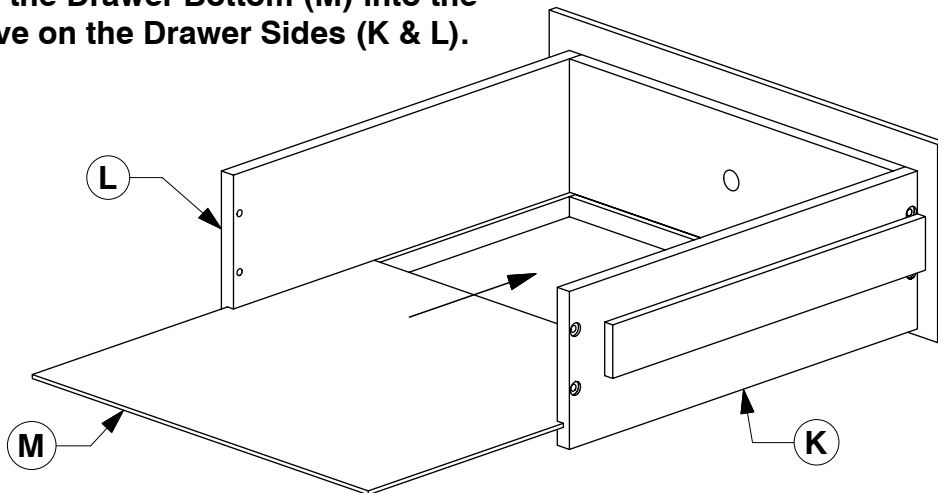


6 Allen Key
x 1

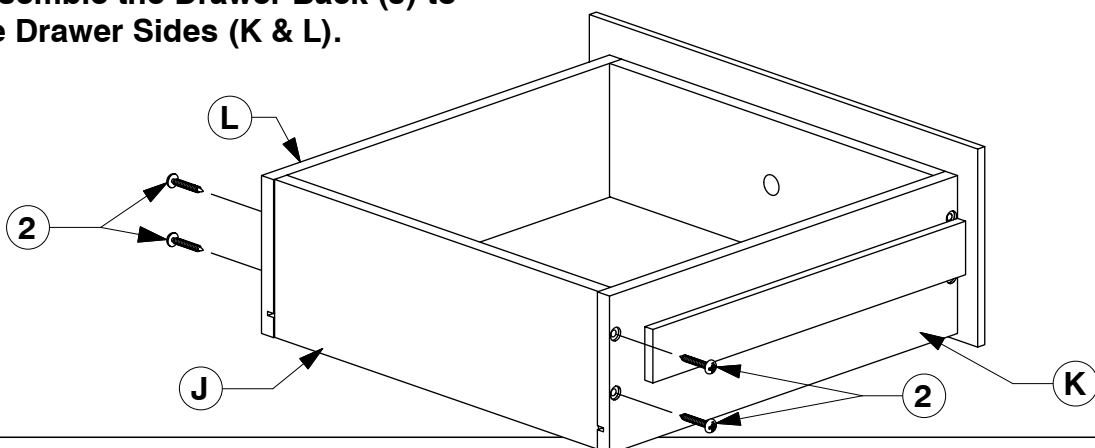
3 Assemble the Drawer Sides (K & L) to the Drawer Face (H).



4 Slide the Drawer Bottom (M) into the groove on the Drawer Sides (K & L).



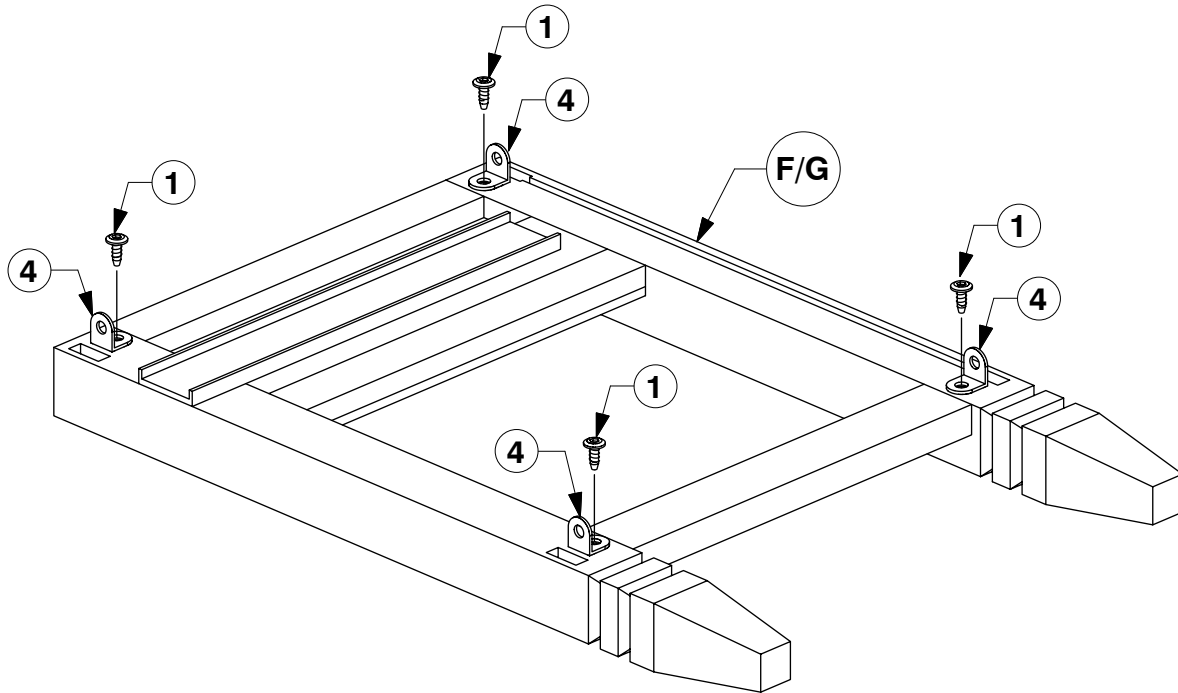
5 Assemble the Drawer Back (J) to the Drawer Sides (K & L).



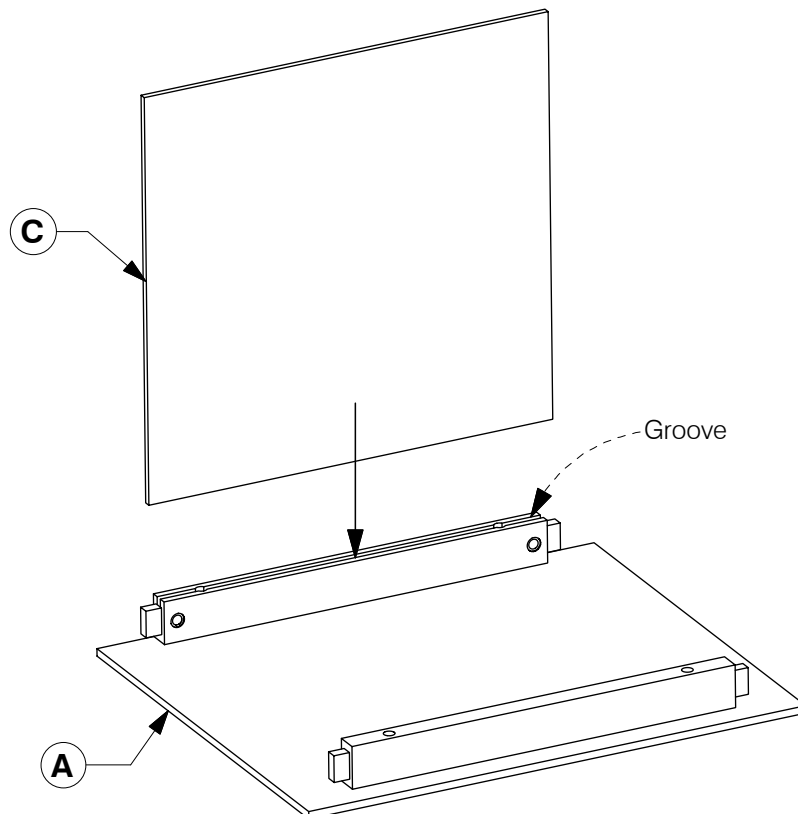
Nightstand

Assembly Instructions

- 6** Fit the 'L' Bracket to the Left & Right hand Leg Frame (F & G).



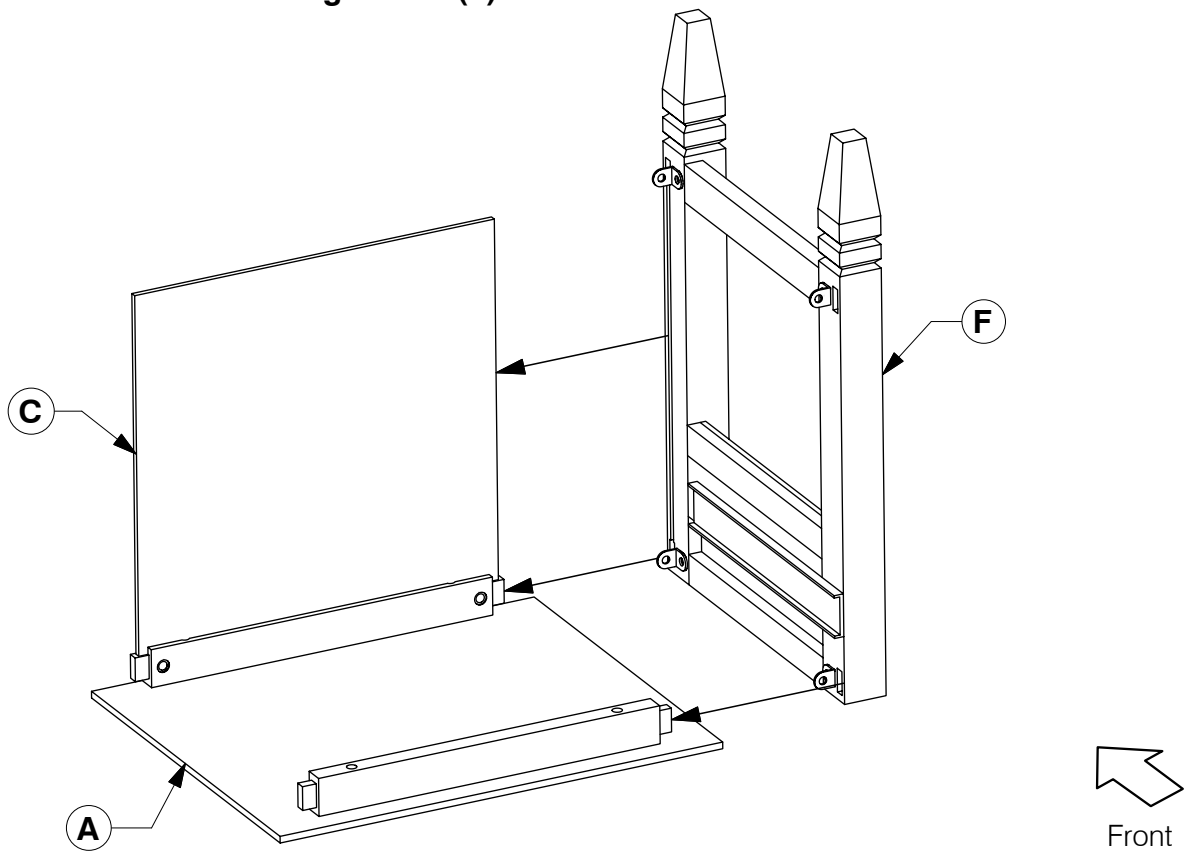
- 7** Fit the Back Panel (C) to the Top Panel (A).



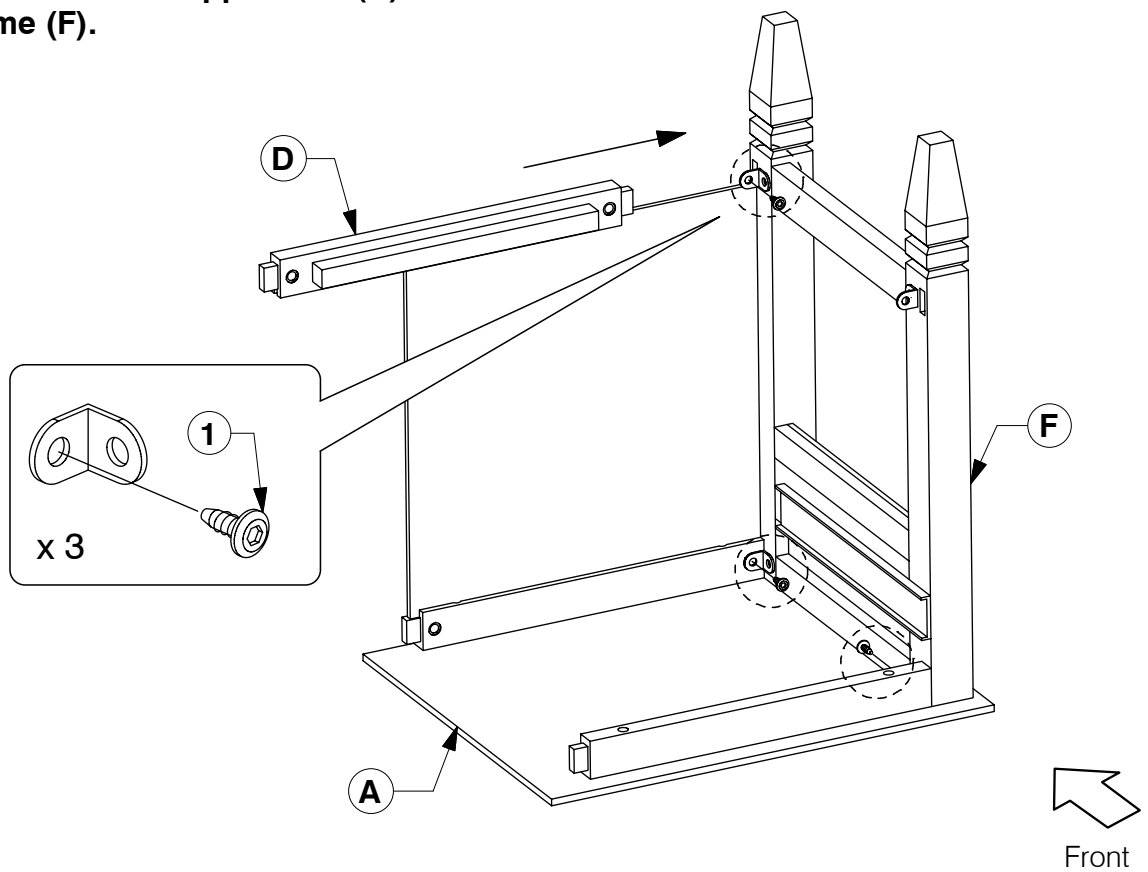
Nightstand

Assembly Instructions

8 Assemble the Left hand Leg Frame (F).



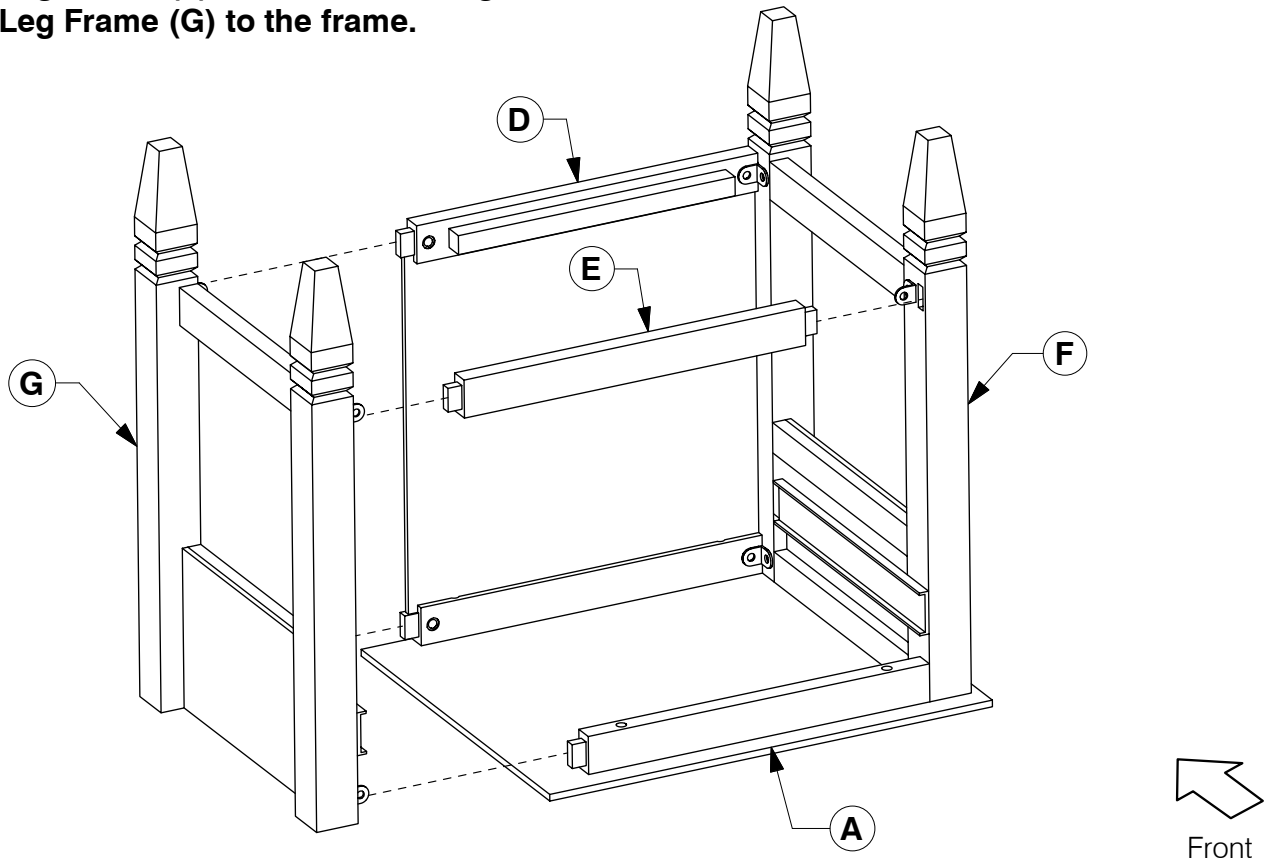
9 Fit the Lower Rear Support Bar (D) to the Left hand Leg Frame (F).



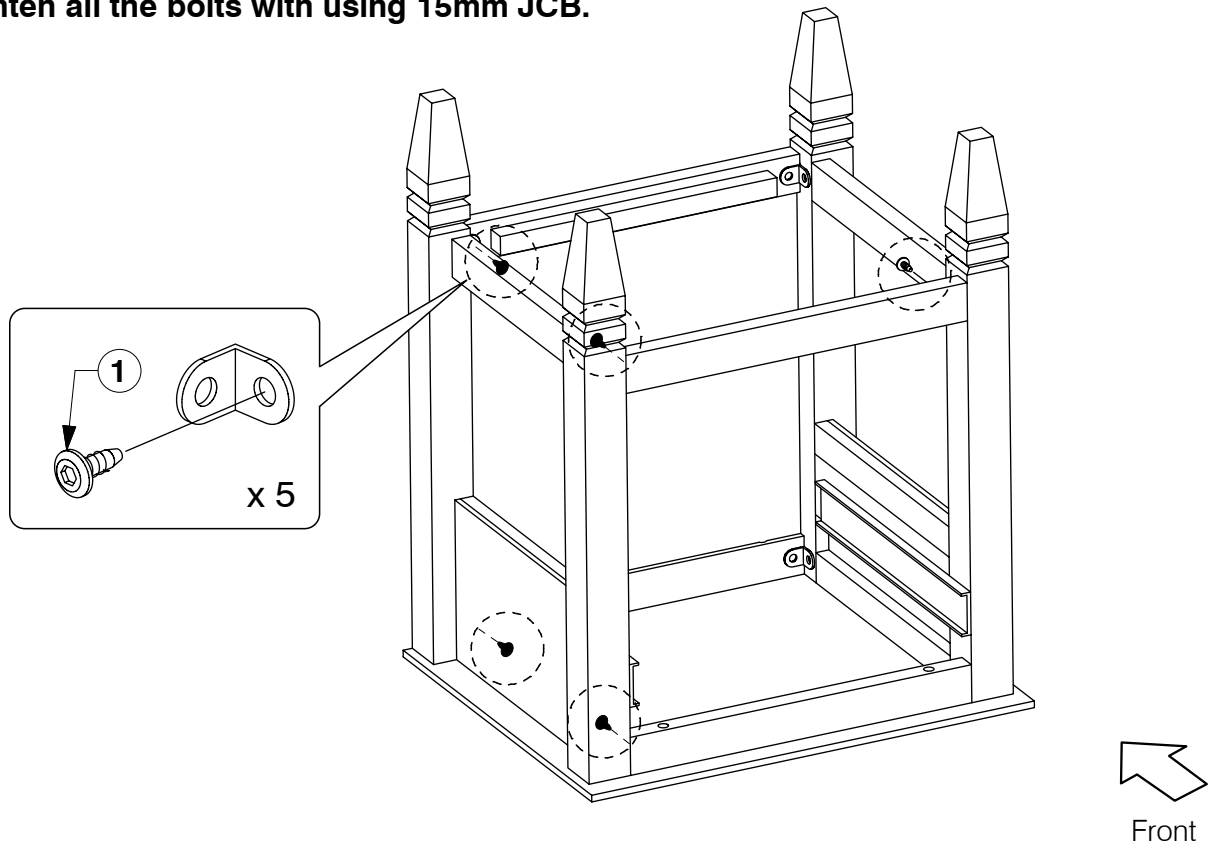
Nightstand

Assembly Instructions

- 10** Fit the Lower Front Support Bar (E) to the Left hand Leg Frame (F). Assemble the Right hand Leg Frame (G) to the frame.



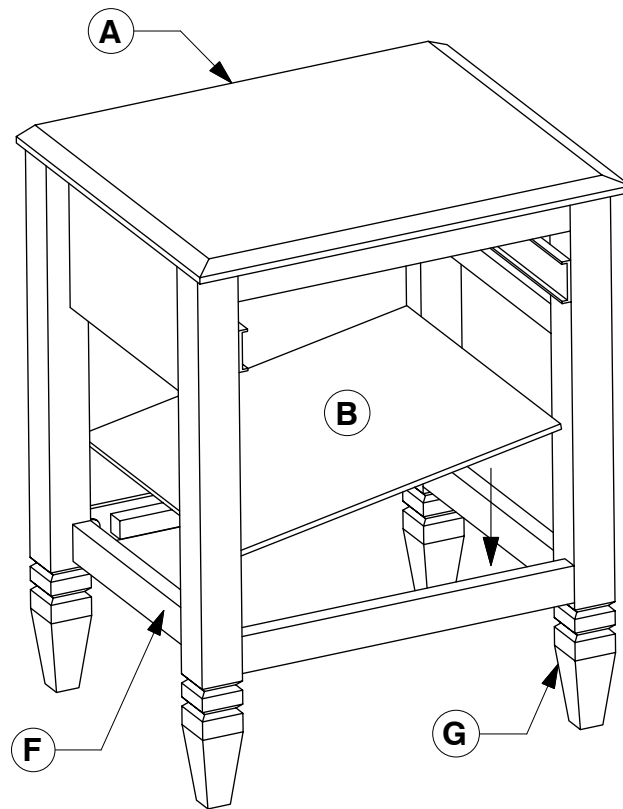
- 11** Tighten all the bolts with using 15mm JCB.



Nightstand

Assembly Instructions

12 Fit the Shelf (B).



13 Fit the Handle to the Drawer face (H). Finally, fit the assembled Drawer.

