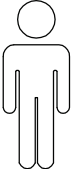

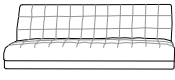


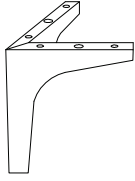
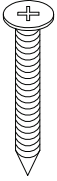
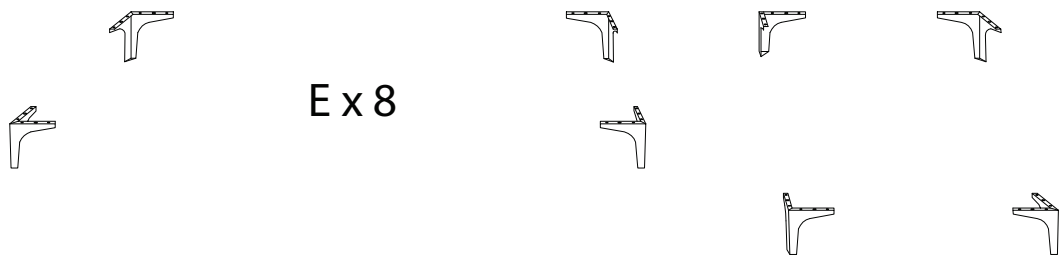
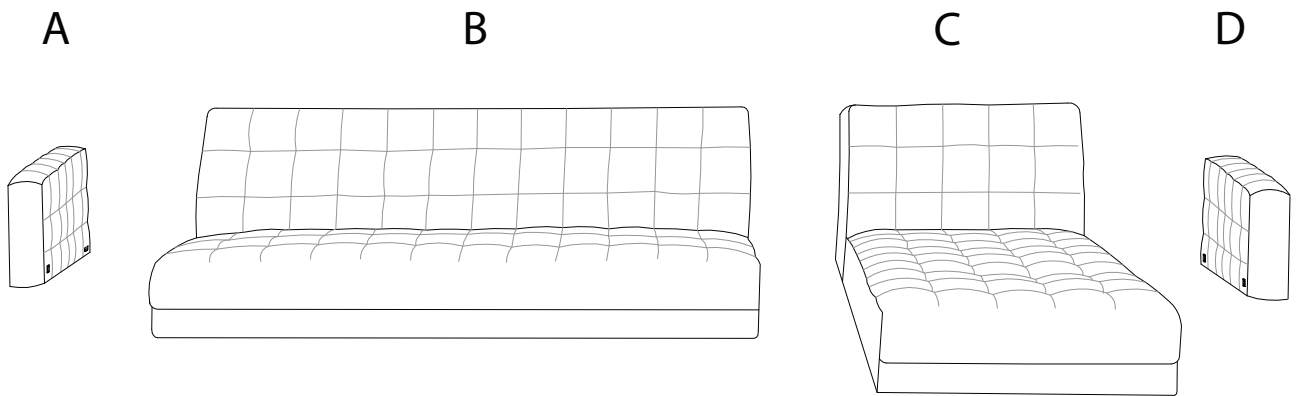

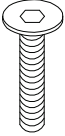
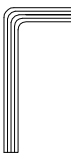
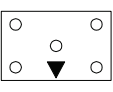
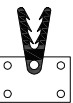
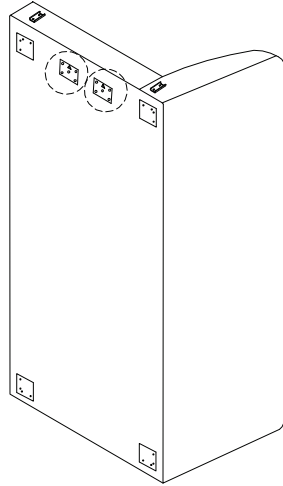
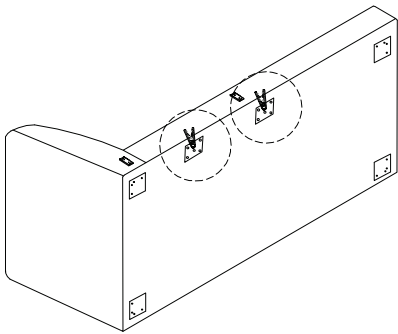
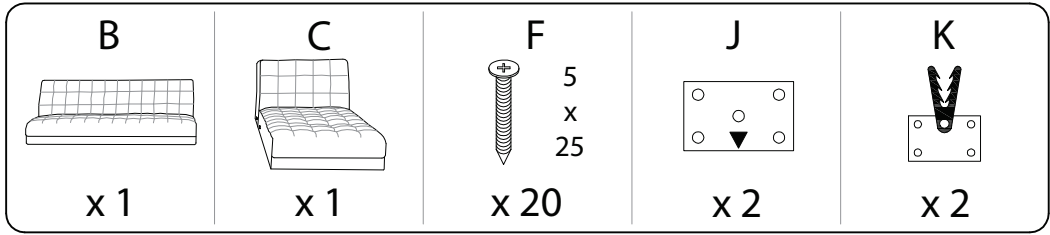
	<p data-bbox="1061 1702 1133 1758">45'</p>  <p data-bbox="1077 2060 1117 2123">2</p>

A	B	C	D	E	F
					
x 1	x 1	x 1	x 1	x 8	5 x 25 x 52

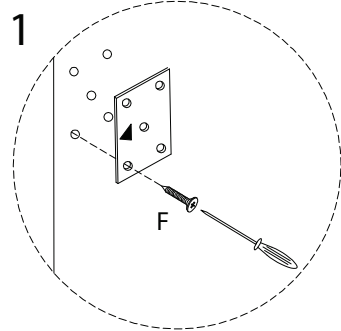


G	H	I	J	K
				
x 4	M6 x 30 x 8	x 1	x 2	x 2

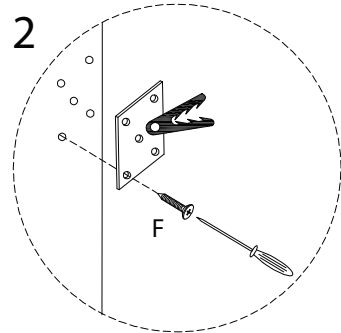
1



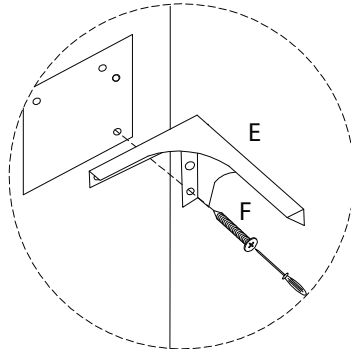
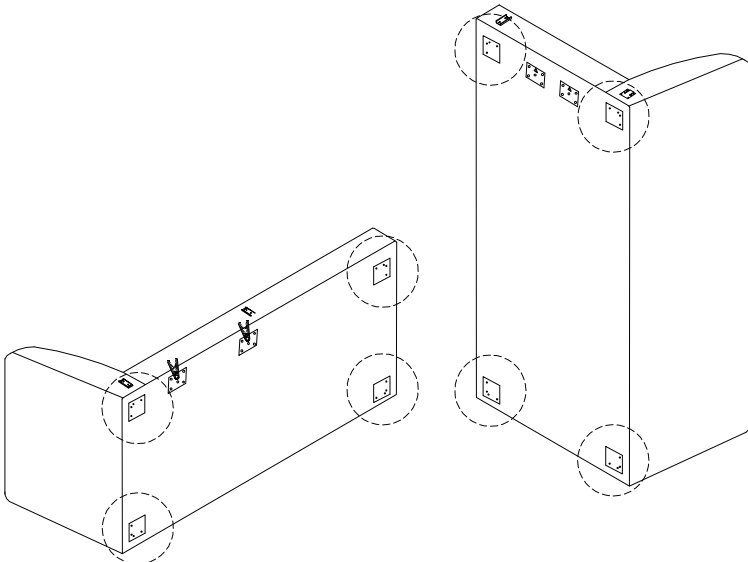
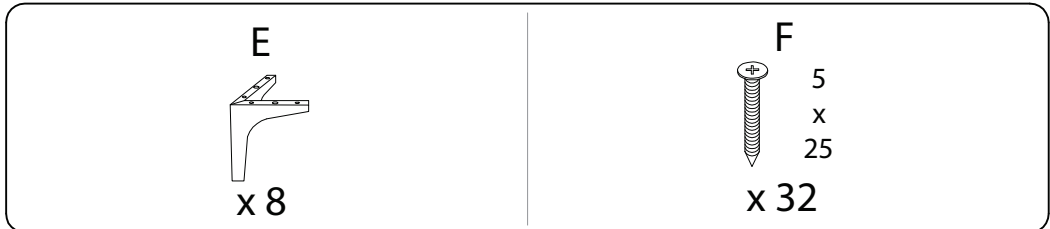
1




2

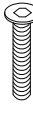



3

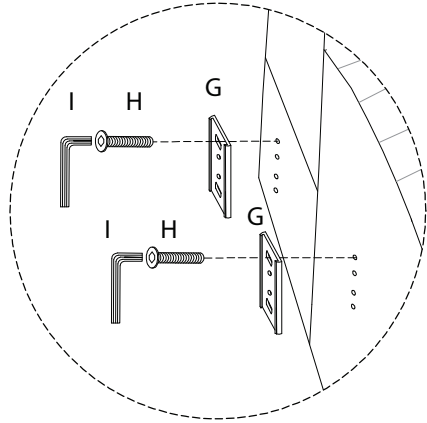
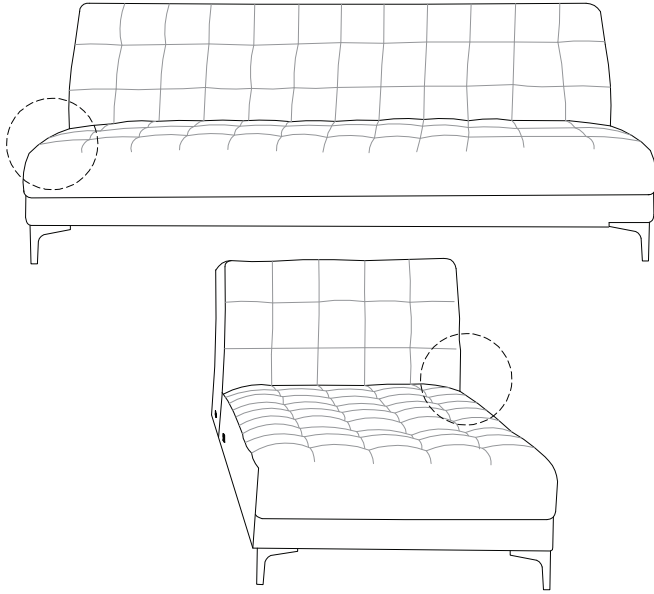


2

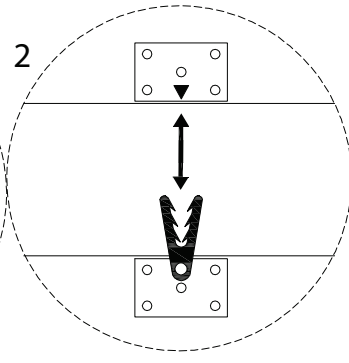
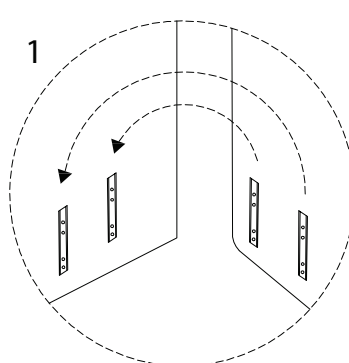
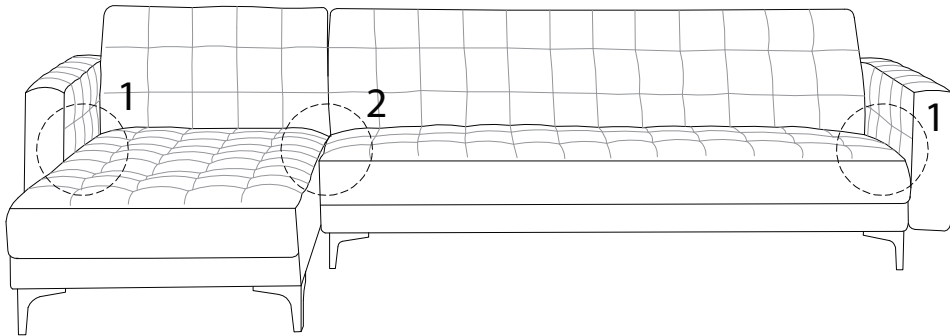
G

x4

H

M6
x 30
x8

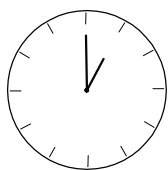
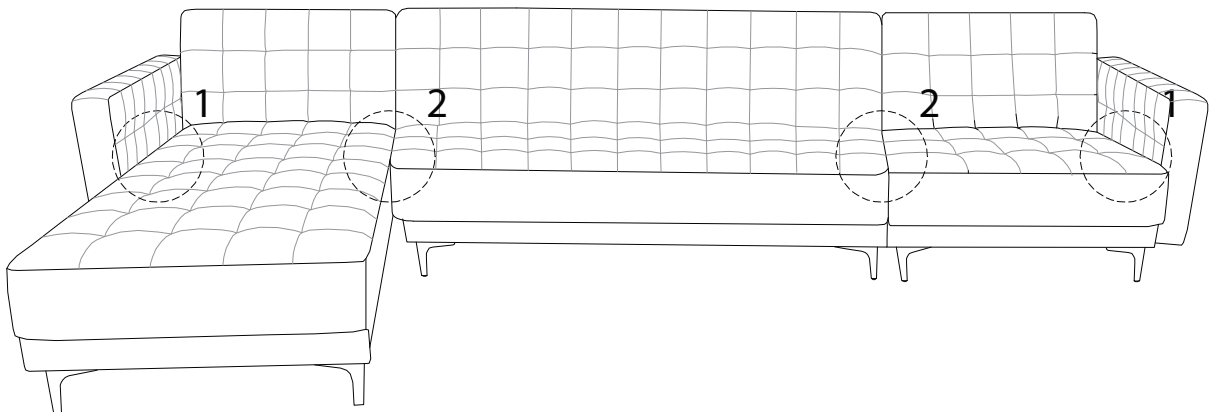
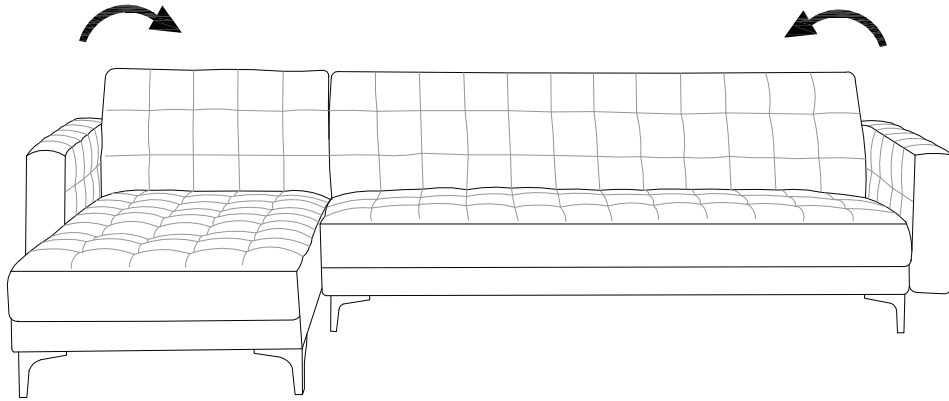
I

x1



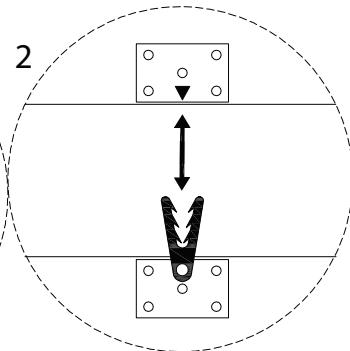
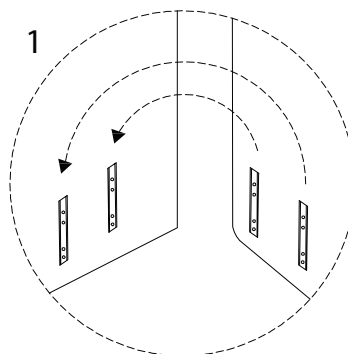
4

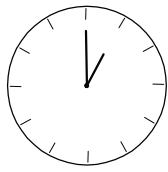
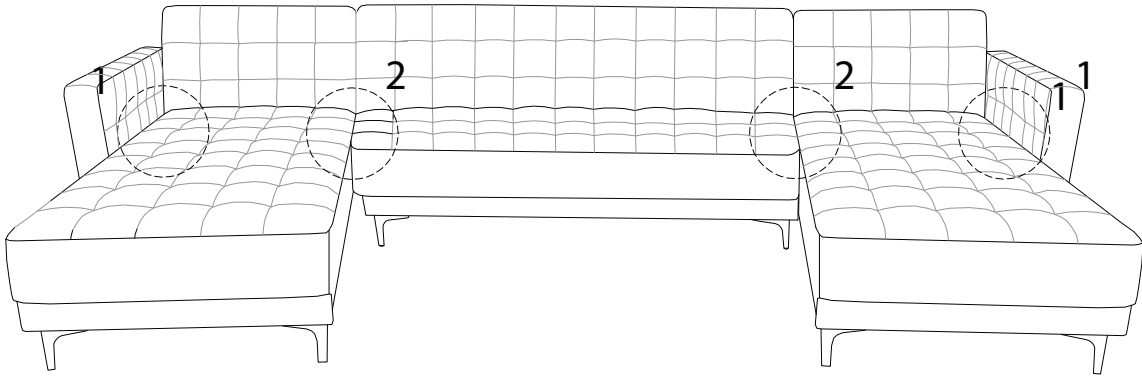


!

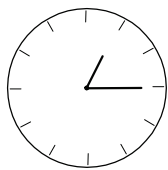
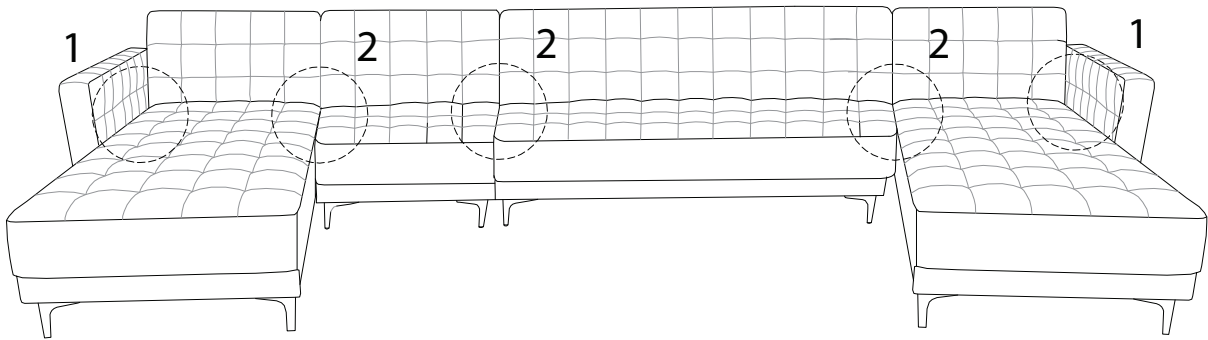
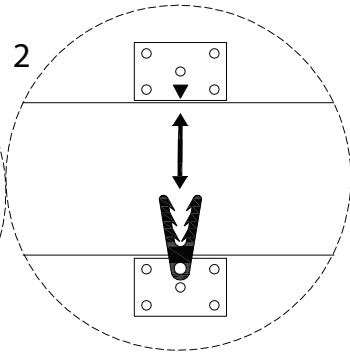
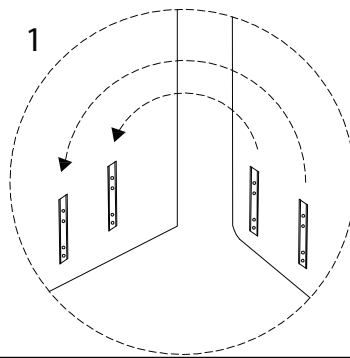


60'





60'



75'

