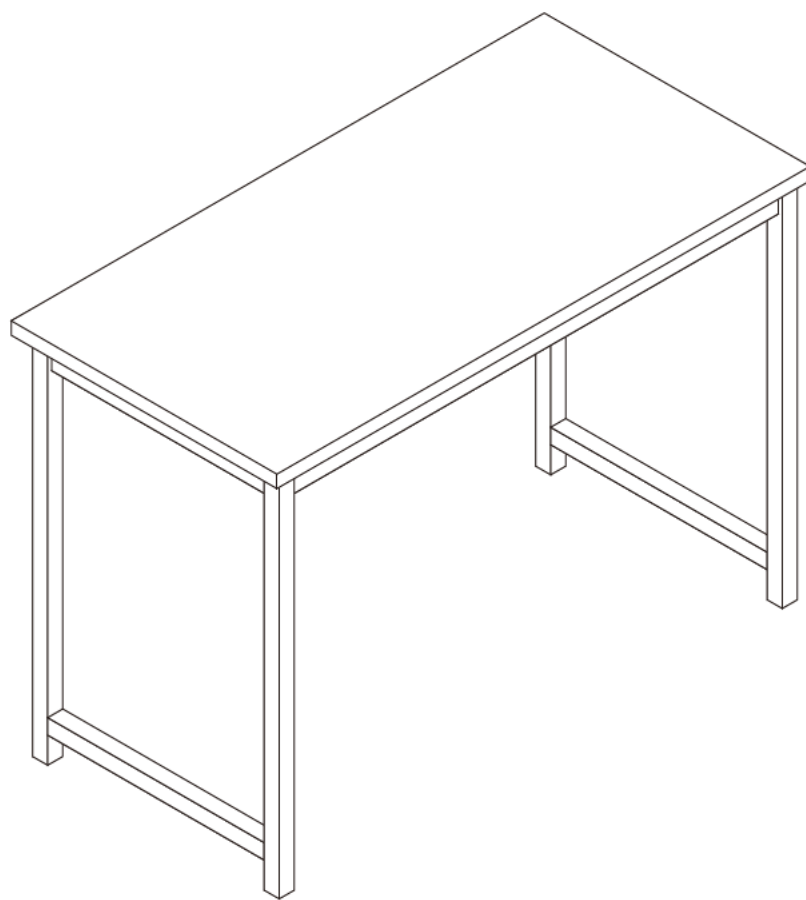
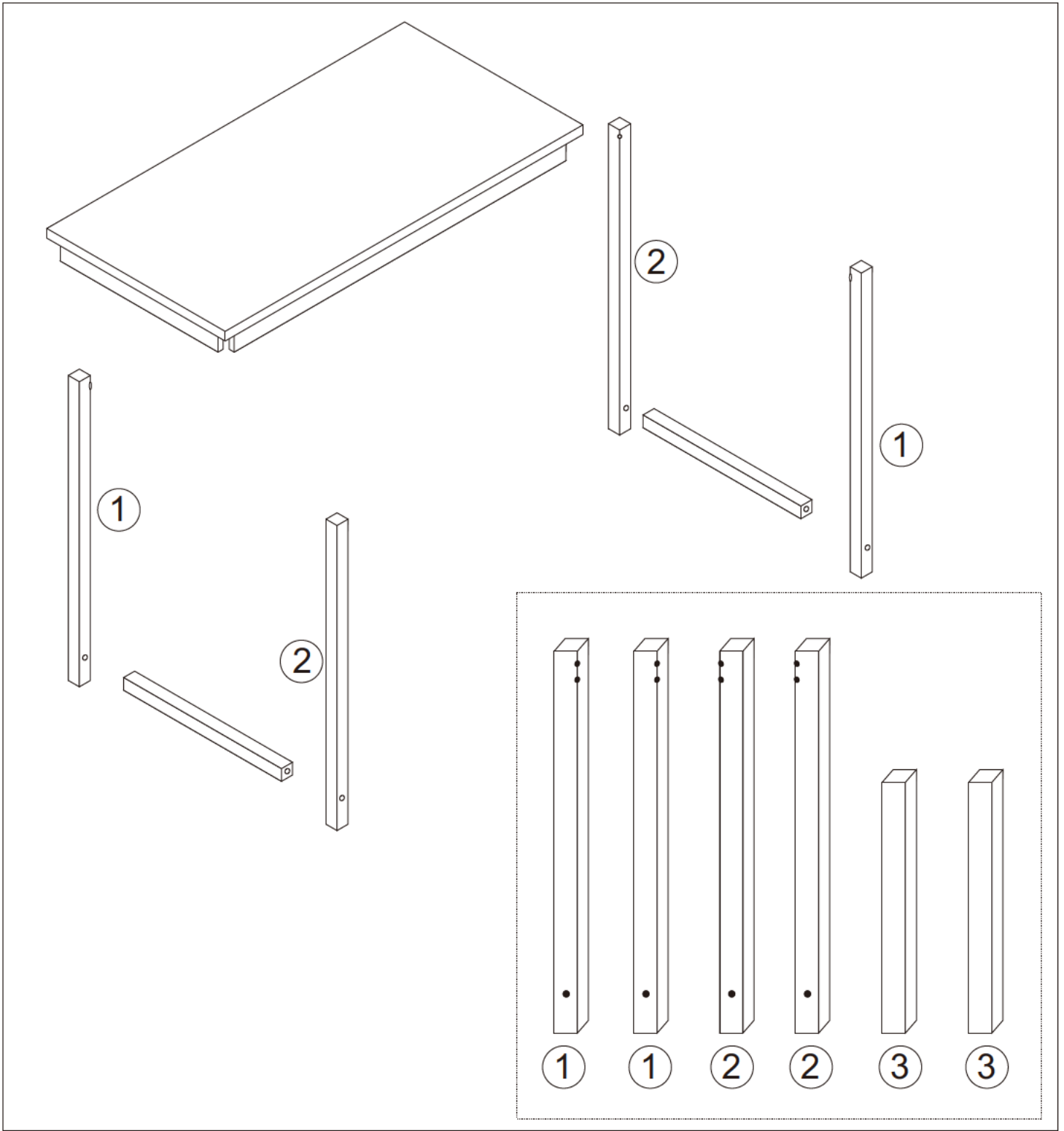



Installation instructions






A



8x70mm

x4


B



8x40mm


x8

C



x4

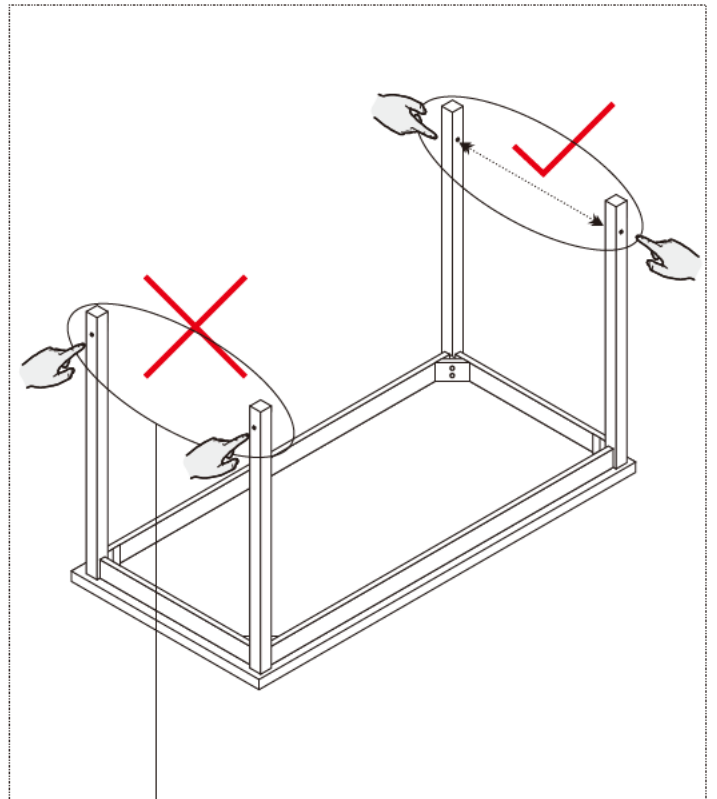
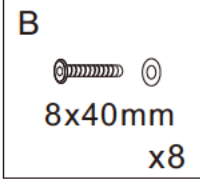
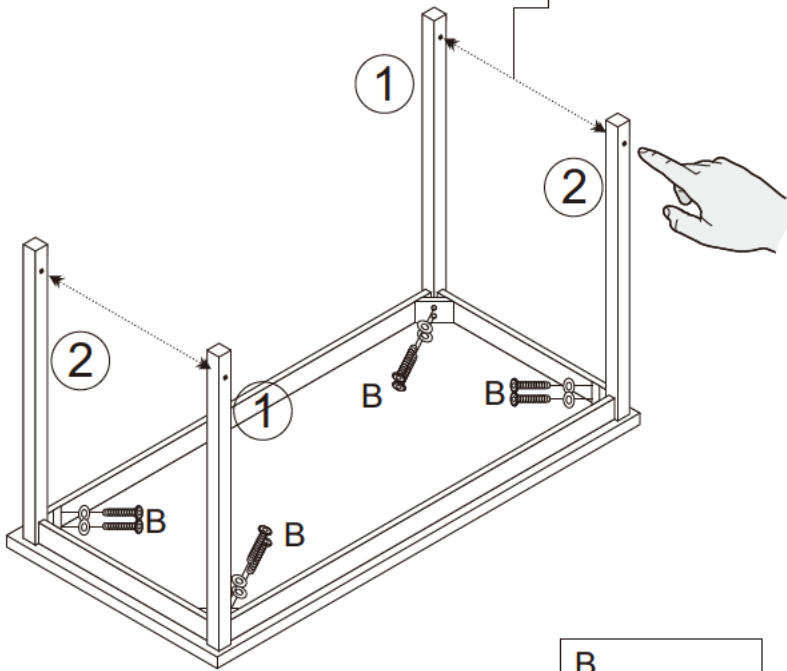
D



x1

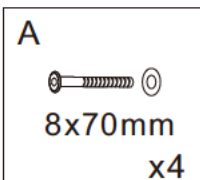
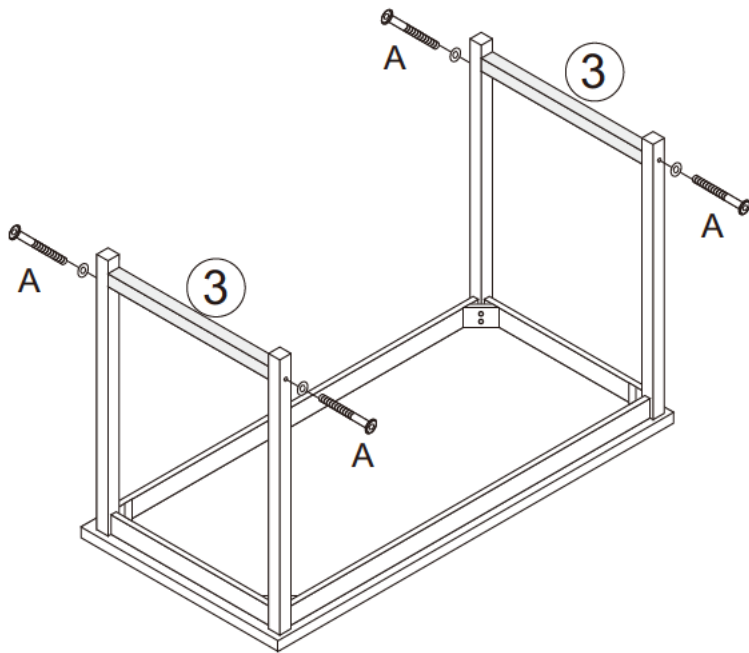
01

Pay attention to the direction of the hole



If this happens, just switch the two steel legs left and right to install it.

02



03

