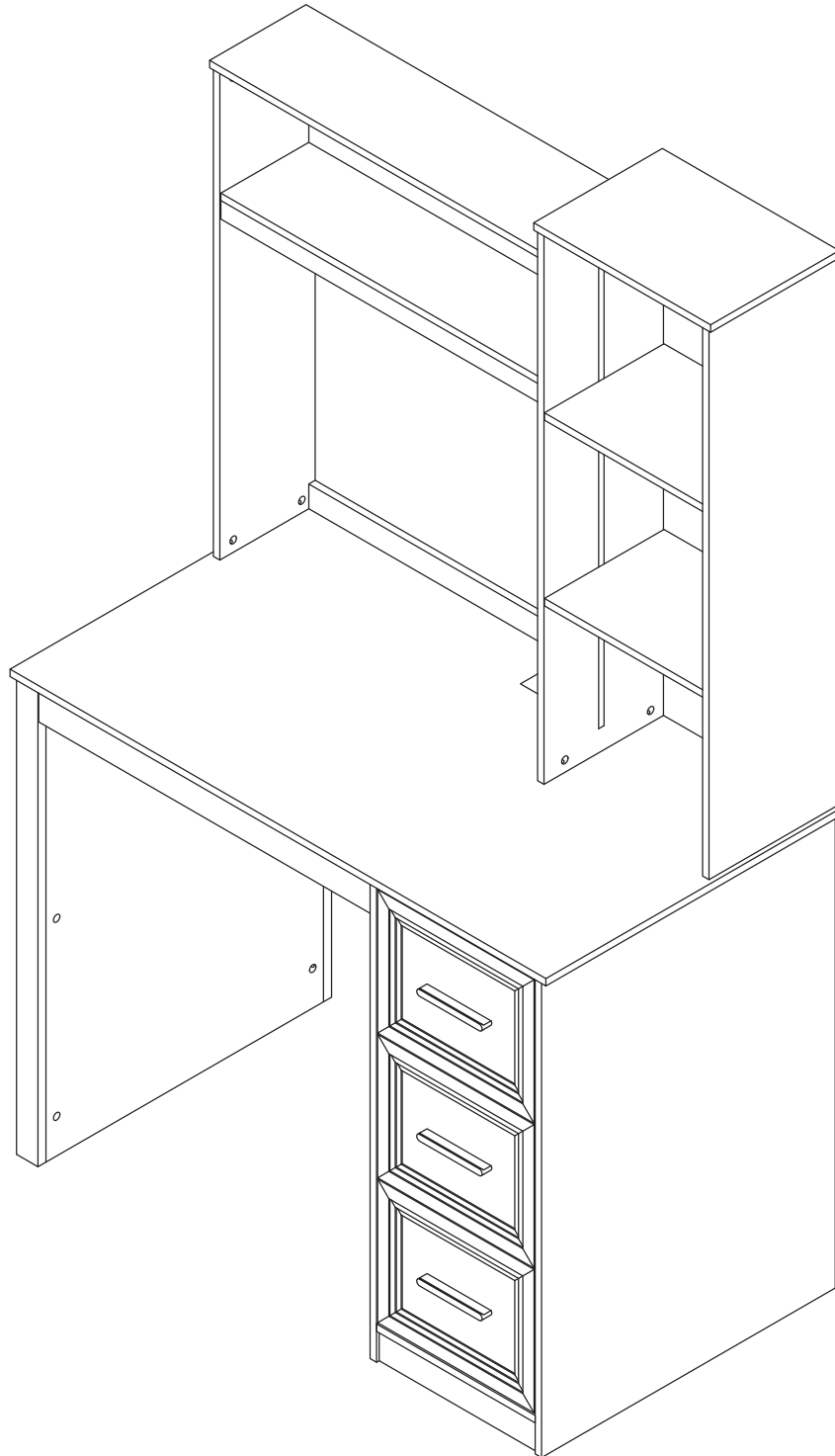
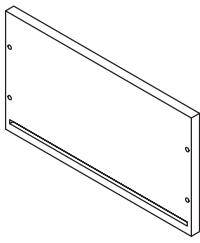
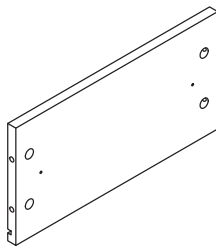


Product Installation Instructions

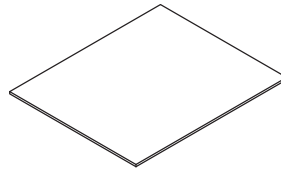




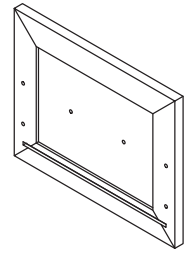
1x3



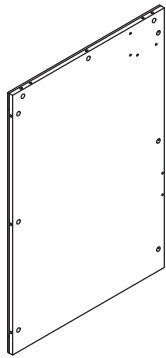
2x6



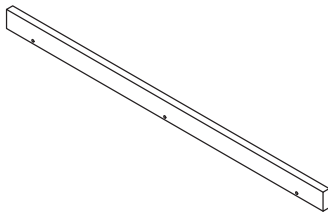
3x3



4x3



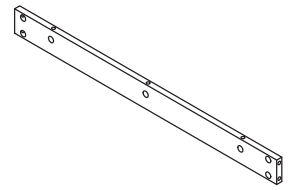
5x1



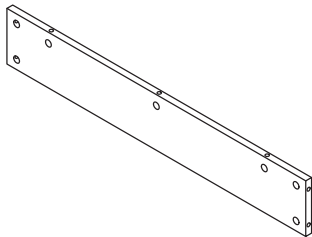
6x1



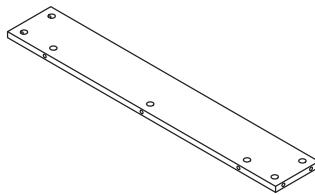
7x1



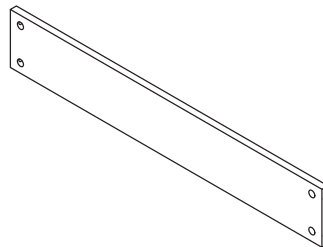
8x1



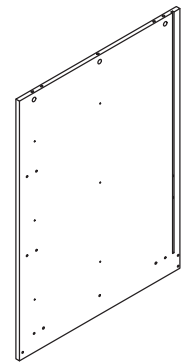
9x1



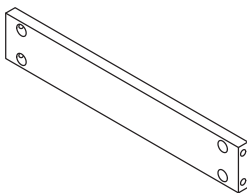
10x1



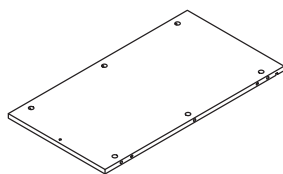
11x1



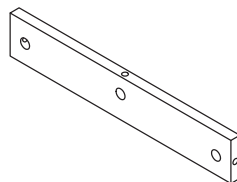
12x1



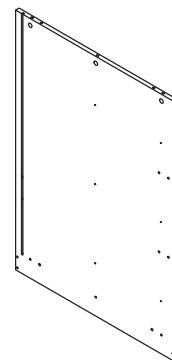
13x2



14x1



15x1



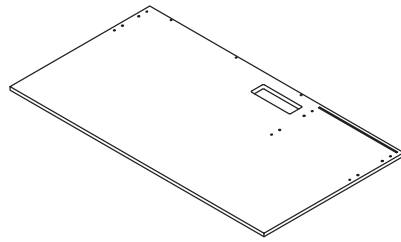
16x1



1



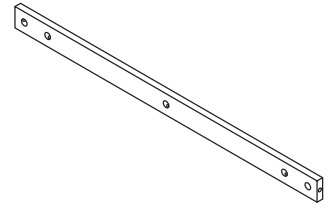
17x1



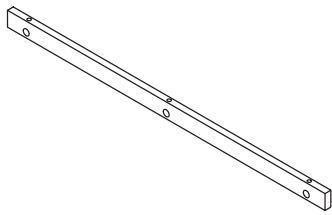
18x1



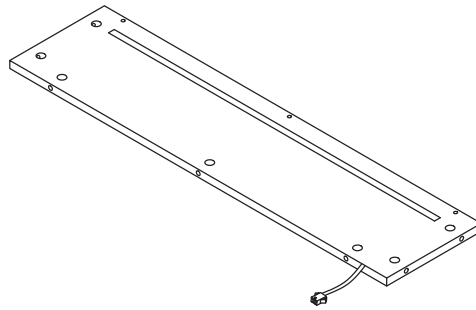
19x1



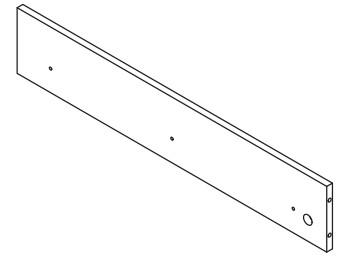
20x1



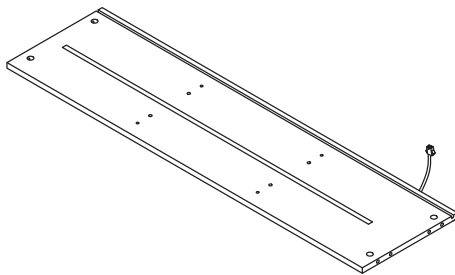
21x1



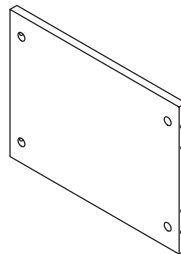
22x1



23x1



24x1



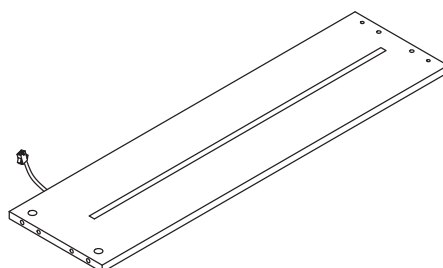
25x2



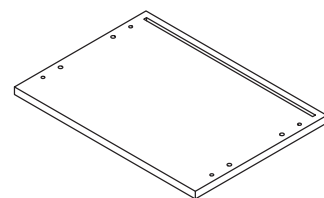
26x1



27x1



28x1

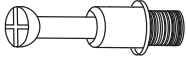

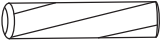
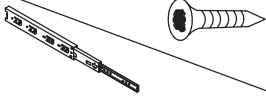


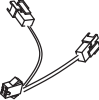
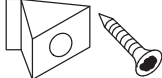

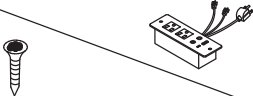
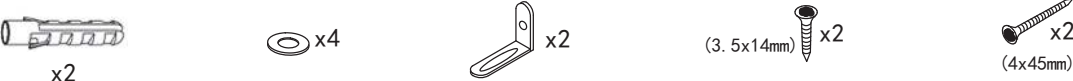


29x1

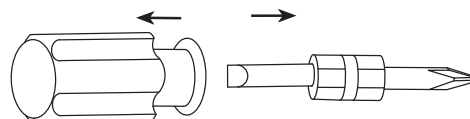
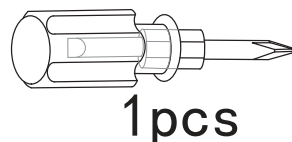


2

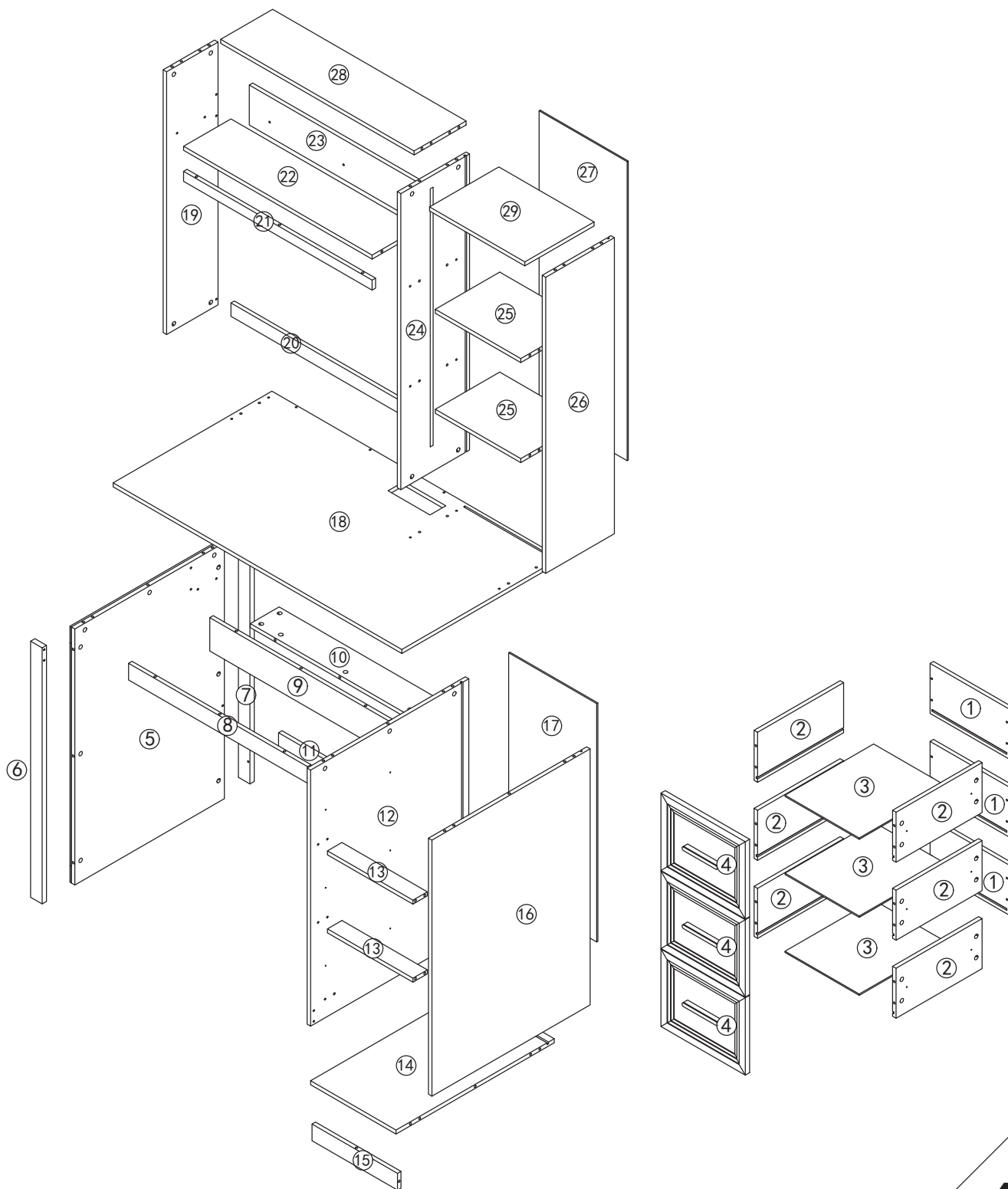
Accessories list


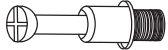






A		Two in one screw (6x28mm)	122pcs +6pcs
B		Two in one nut (10x12mm)	122pcs +6pcs
C		Wood chipping (6x30mm)	32pcs +4pcs
D		Guide & Screw(29cm) (3x12mm)	30pcs +6pcs 6pcs
E		Non-slip pads	9pcs +2pcs
F		Handle & screw (4x8mm)	6pcs +2pcs 3pcs
G		Double end connecting line	1pcs
H		Fixing clip & screw (3x16mm)	12pcs +1pcs
I		Wire Clamp	2pcs +2pcs
J		Power Socket & Screw (3x10mm)	1pcs 2pcs
K			

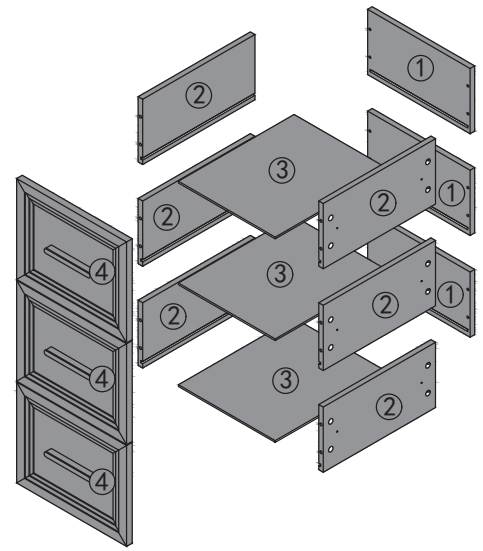
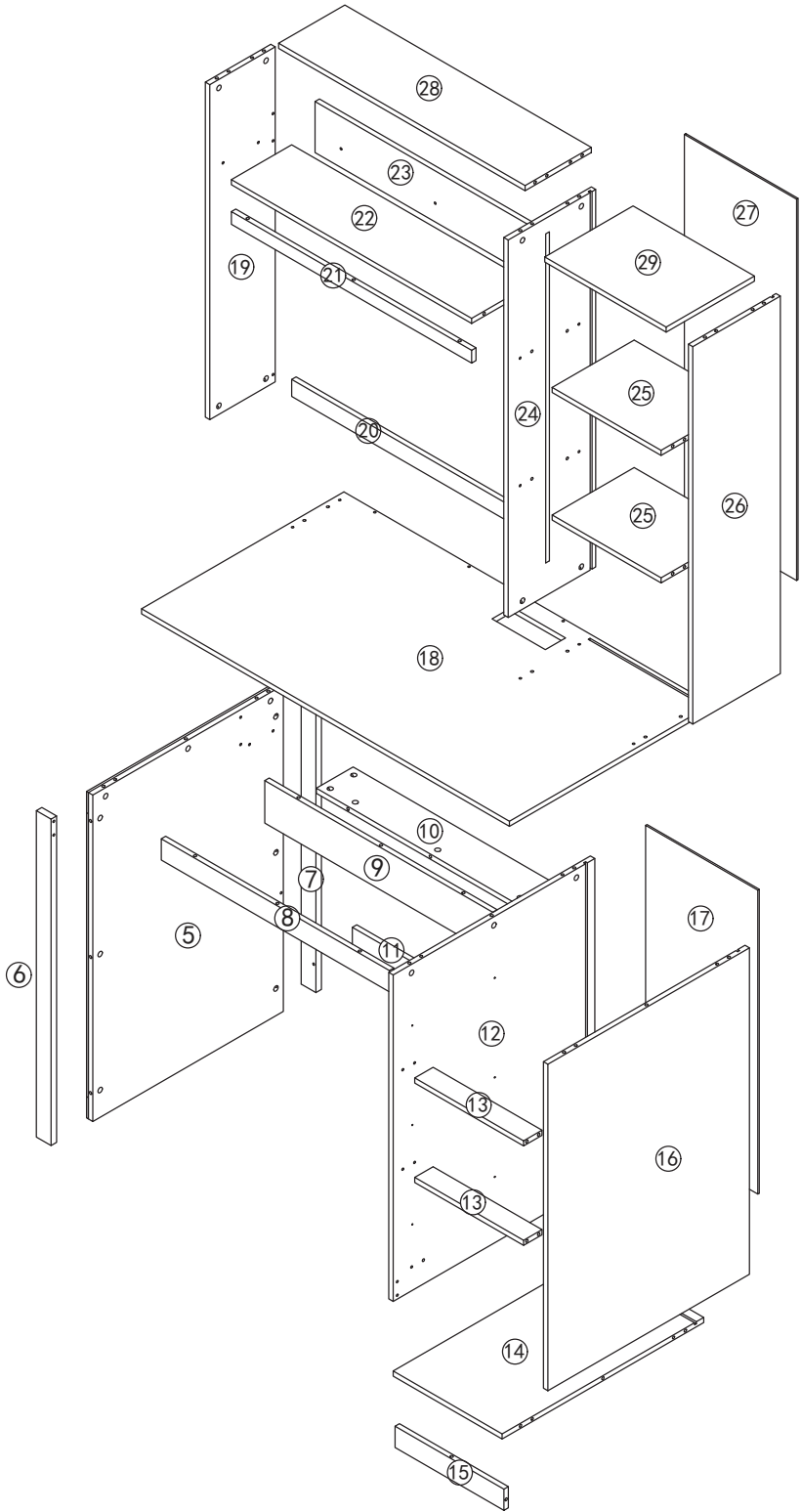
Double-head screwdriver, use as required



Product structure decomposition

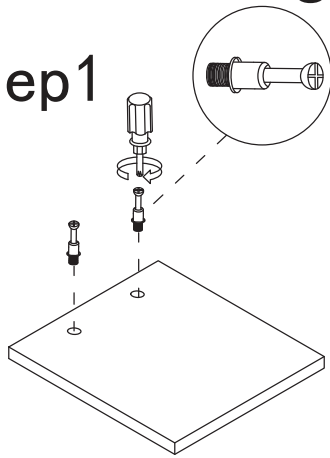


 <p>A</p>	 <p>24pcs</p>	 <p>B</p>	<p>24pcs</p>	 <p>D</p>	<p>6pcs</p>  <p>12pcs</p>
 <p>F</p>	 <p>3pcs</p>	 <p>6pcs</p>			

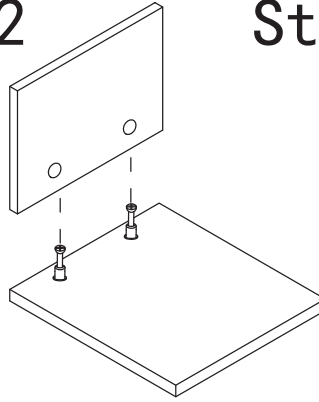


Use parts ① and ②

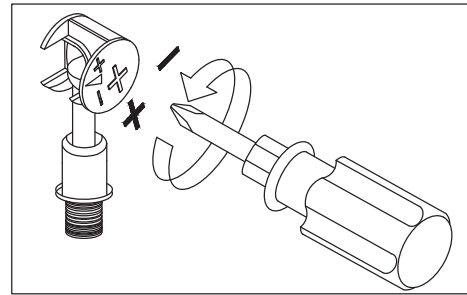
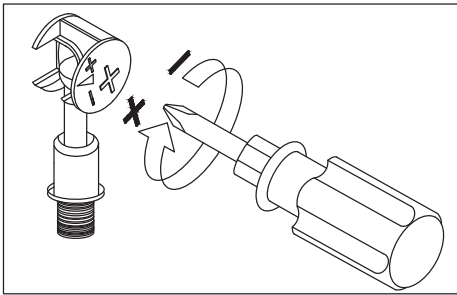
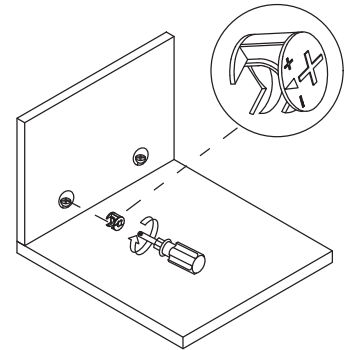
Step1



Step2



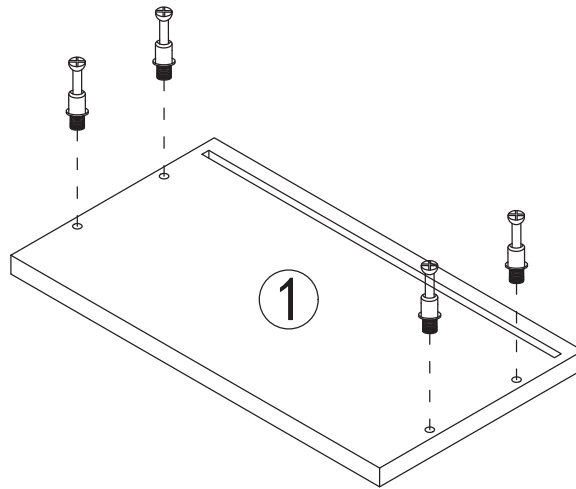
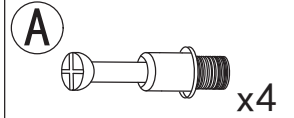
Step3



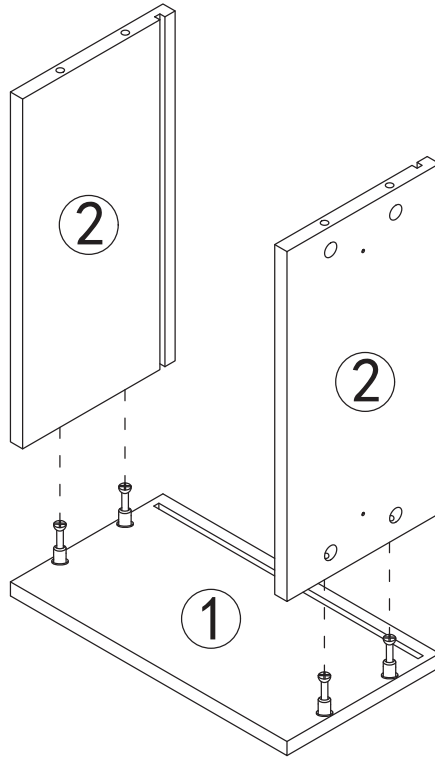
Use a screwdriver to lock in the direction of the "+" sign

Disassemble along the direction of "-" sign

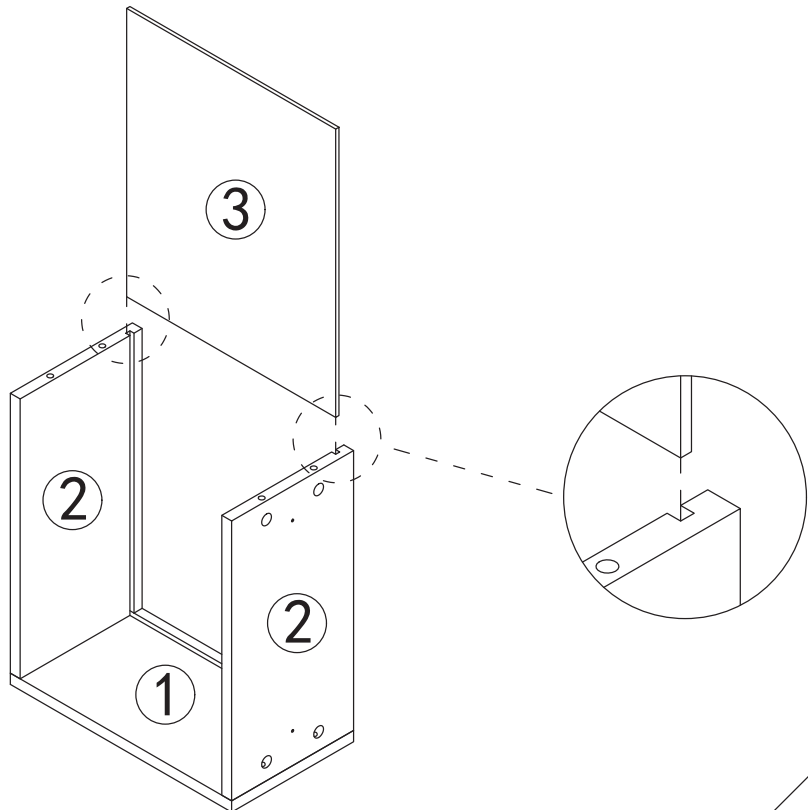
Step 1



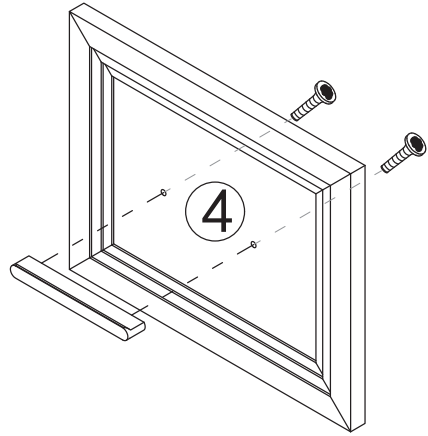
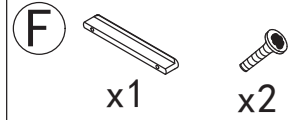
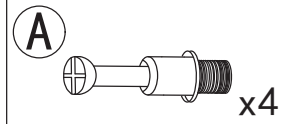
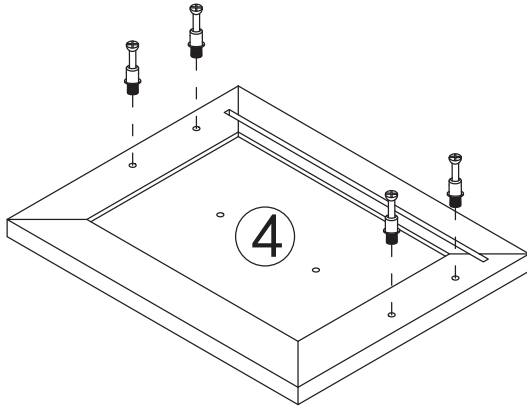
Step 2



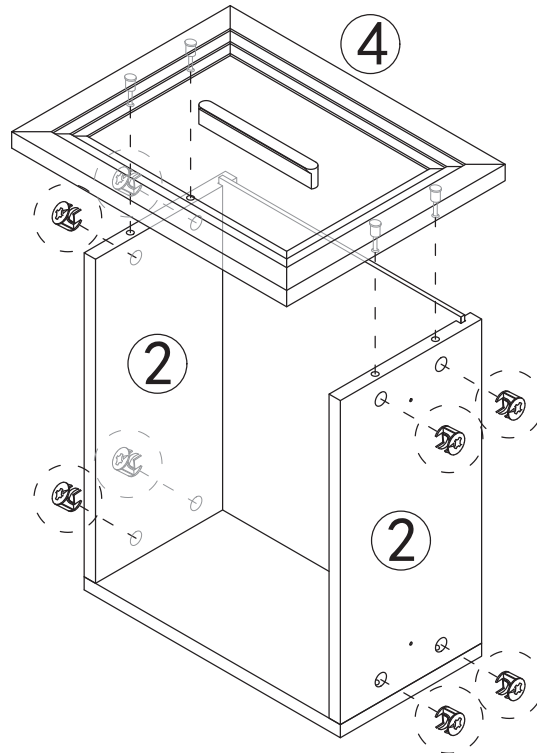
Step 3



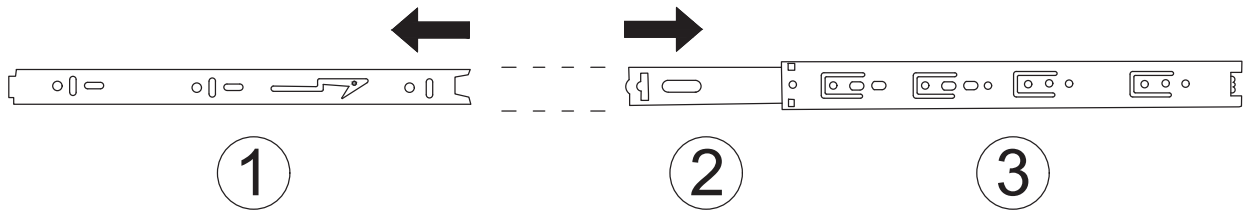
Step 4



Step 5

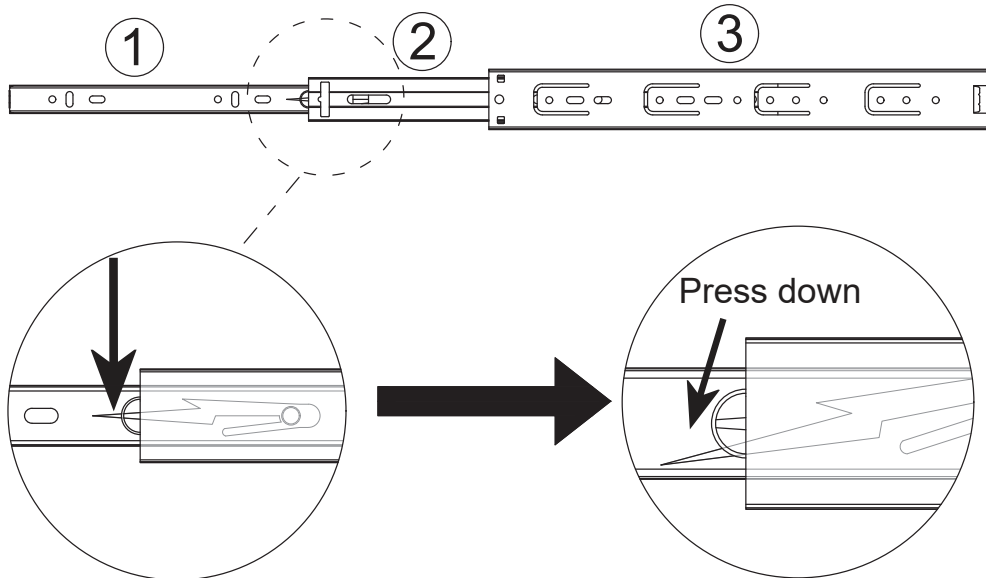


Drawer rail breakdown diagram



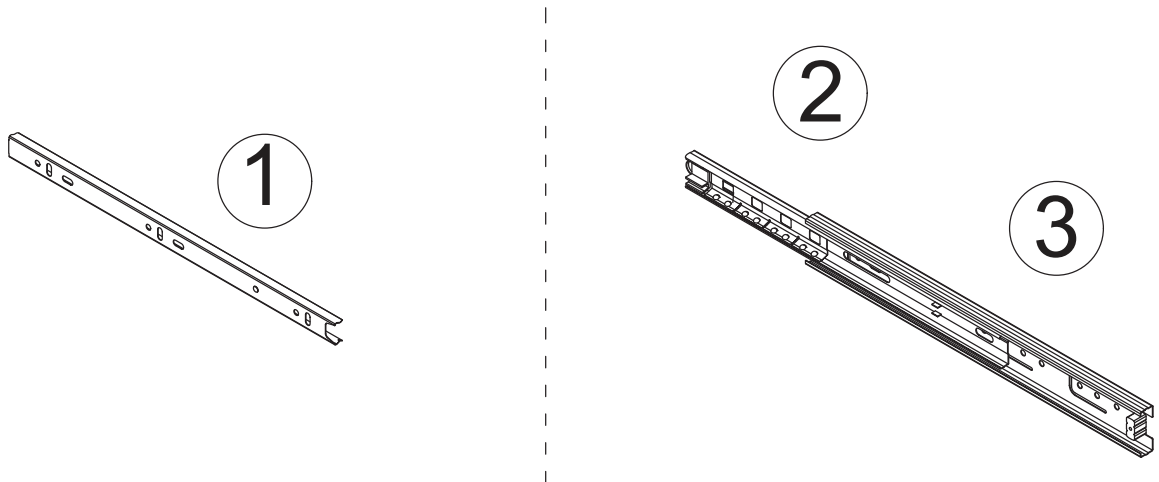
Dismantle the schematic diagram

Step 1 : Pull the rails apart

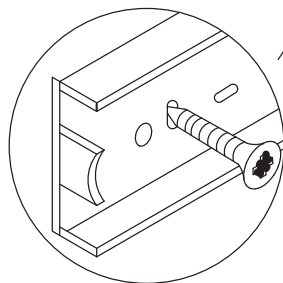
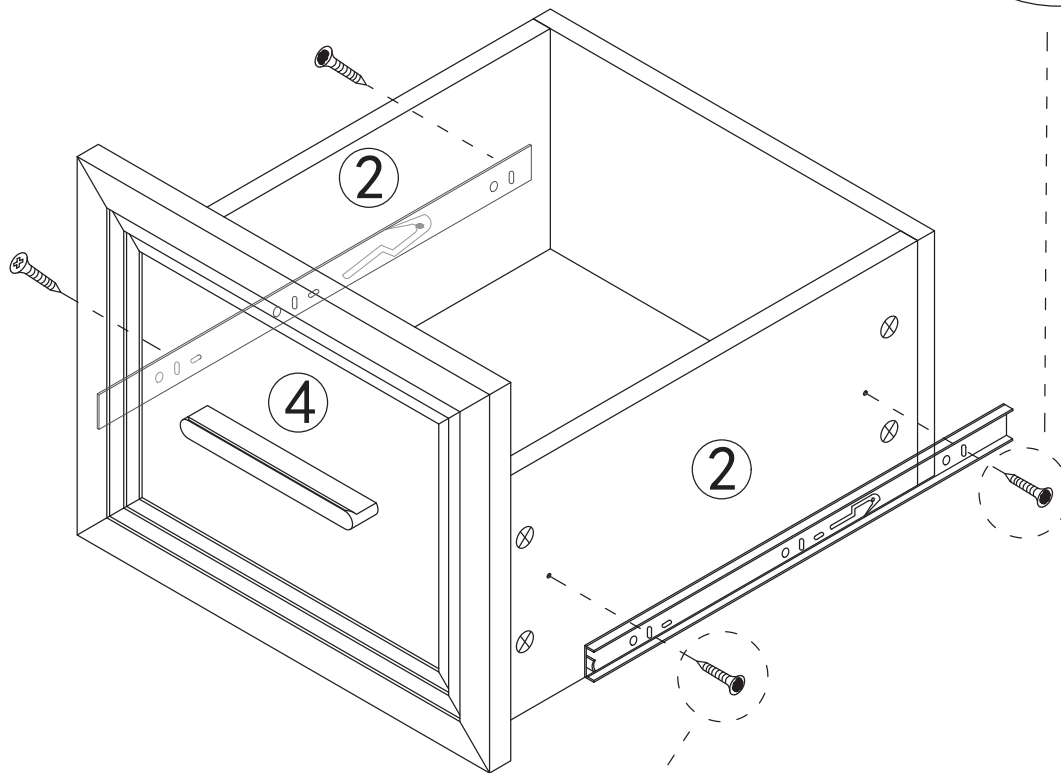
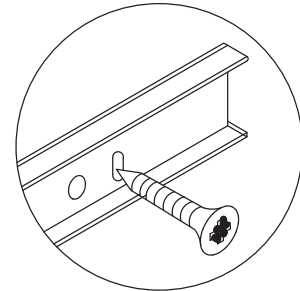
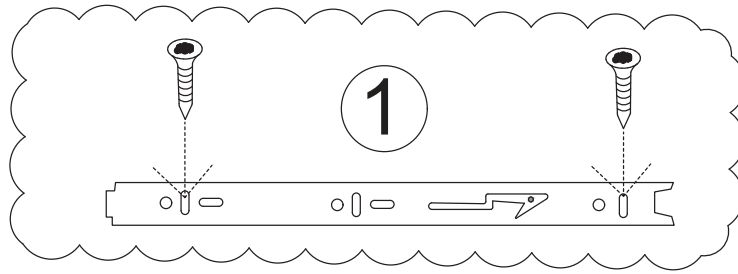
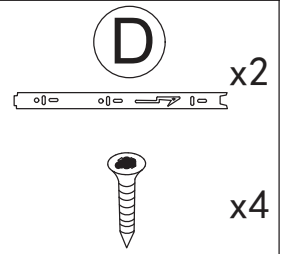


Step 2 : Press the nylon button and pull out .

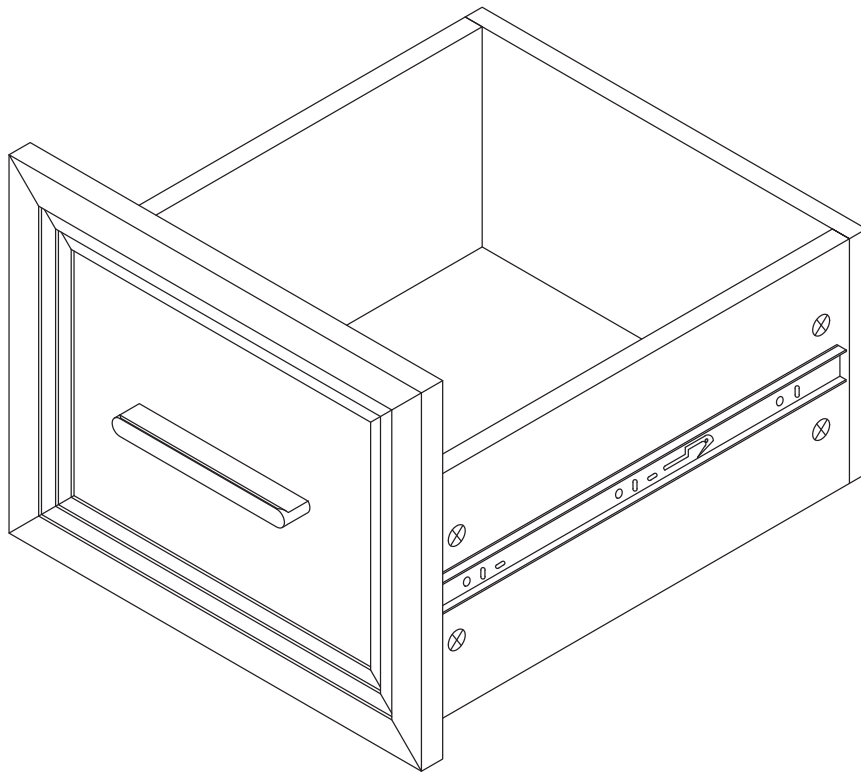
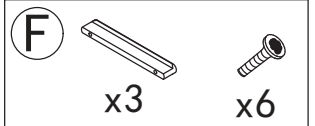
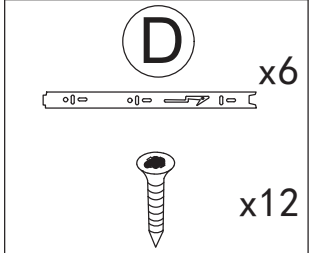
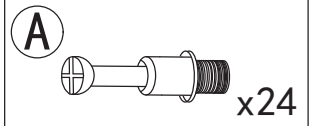
Drawer rail decomposition completed schematic diagram



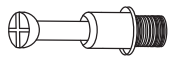

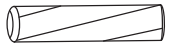
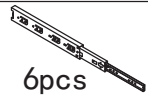



Step 6

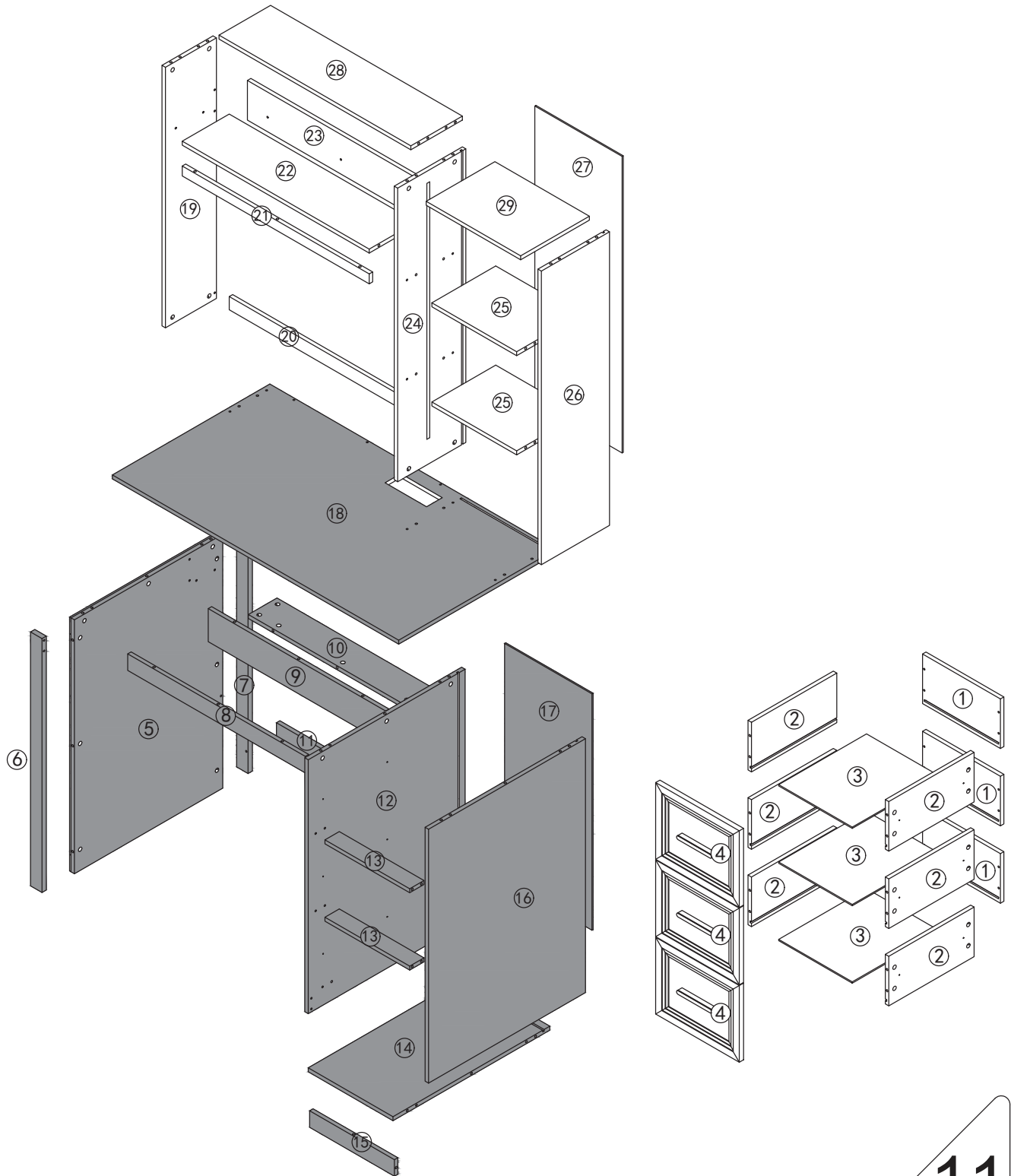


Step 7

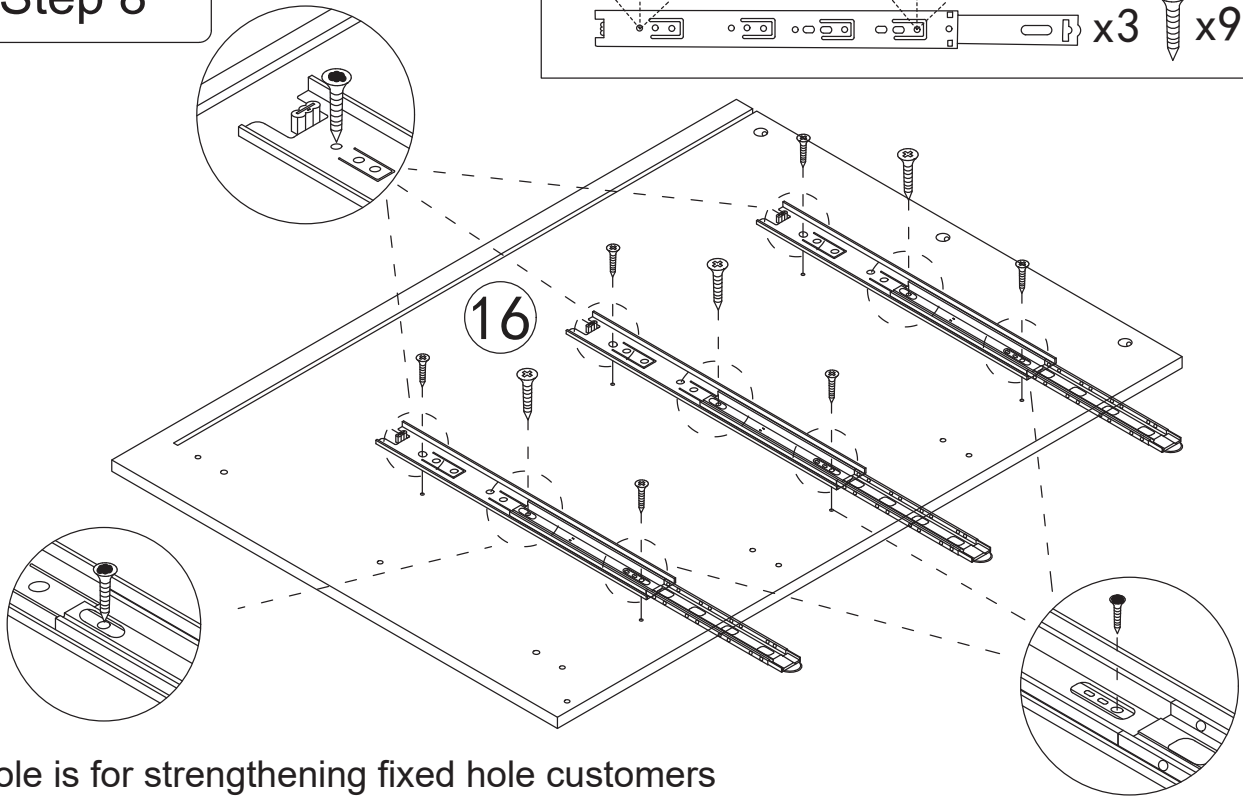
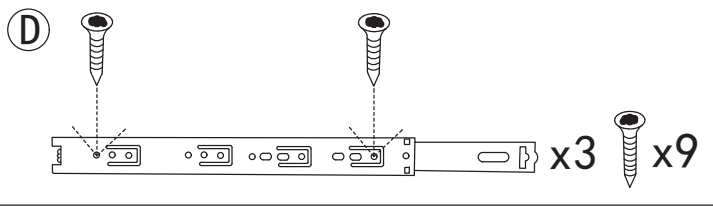


x3

A		57pcs	B		57pcs	C		10pcs	
D		6pcs	E		12pcs	J		1pcs	
									2pcs

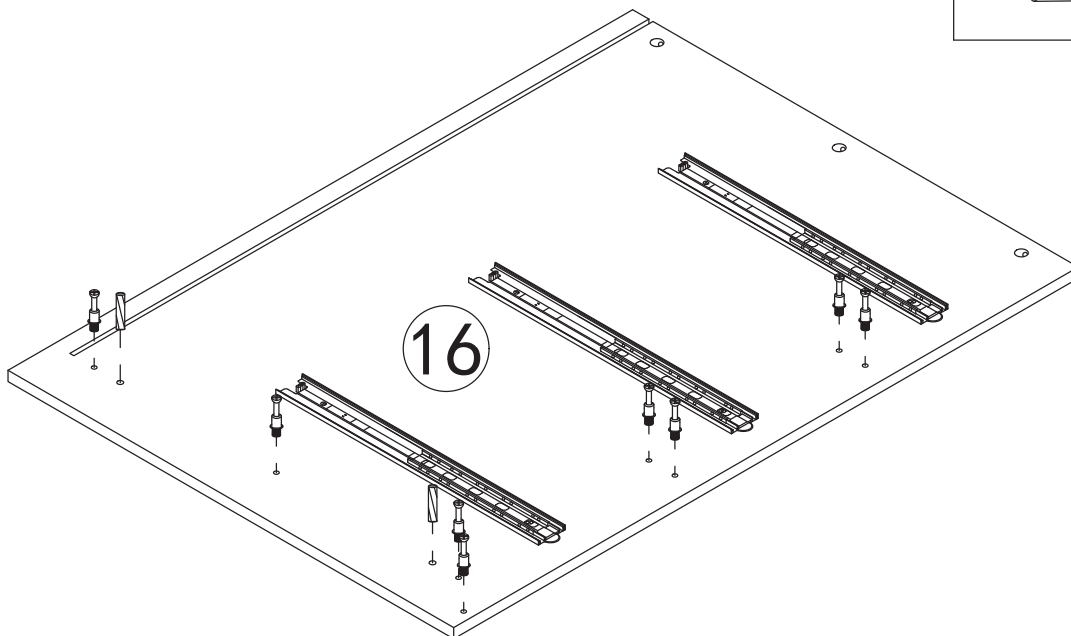
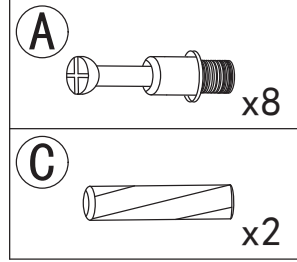


Step 8



This hole is for strengthening fixed hole customers can choose to install according to their needs.

Step 9

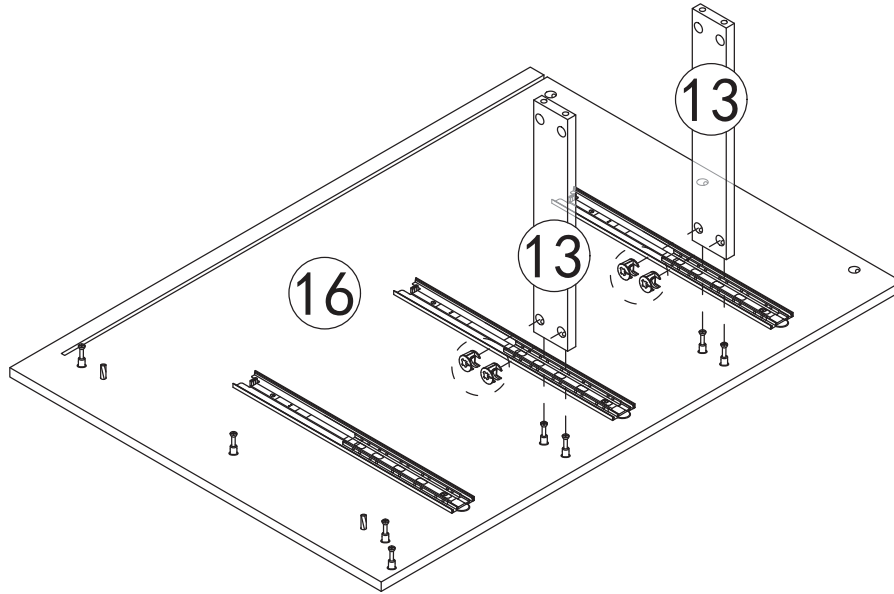


Step 10

B

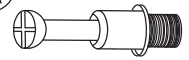


x4

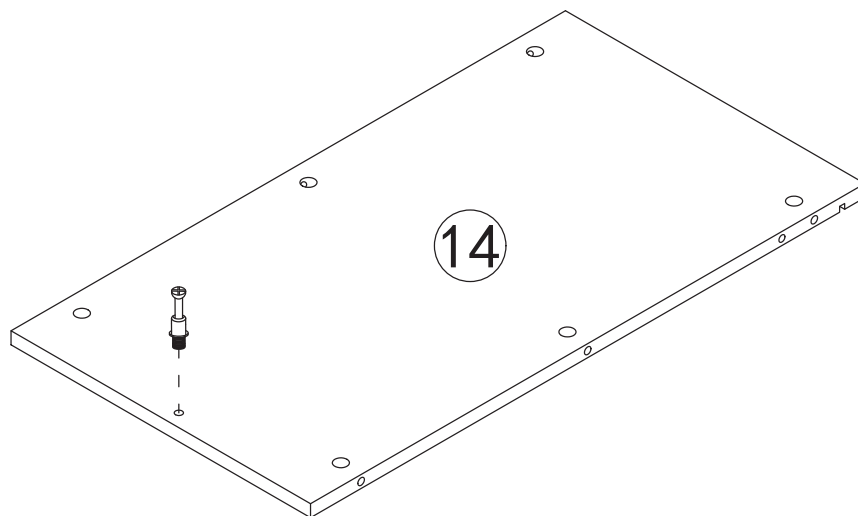


Step 11

A



x1



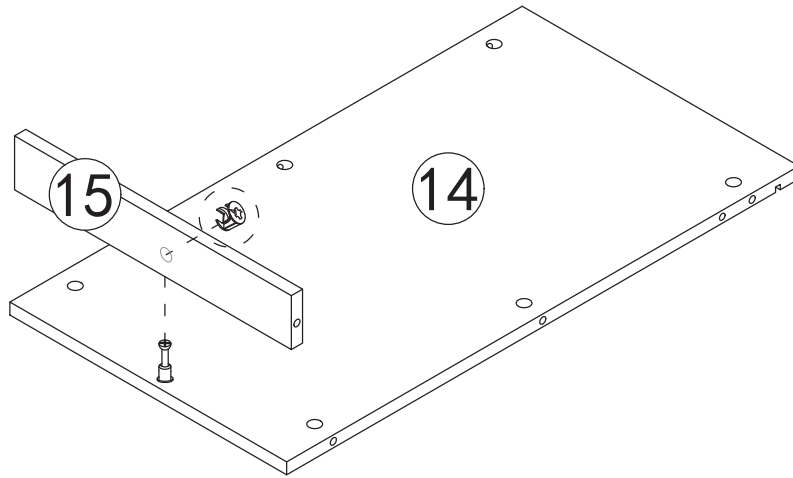
13

Step 12

B



x1

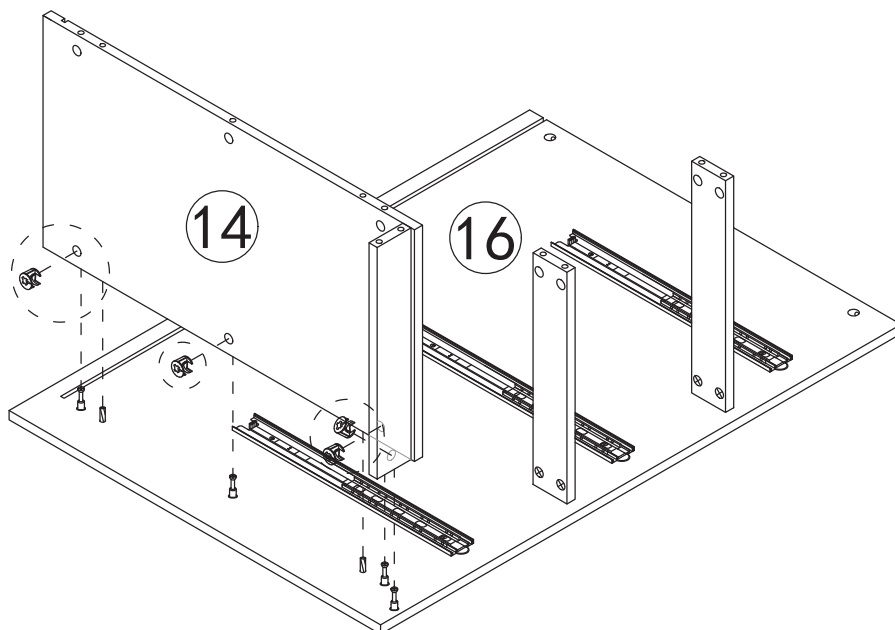


Step 13

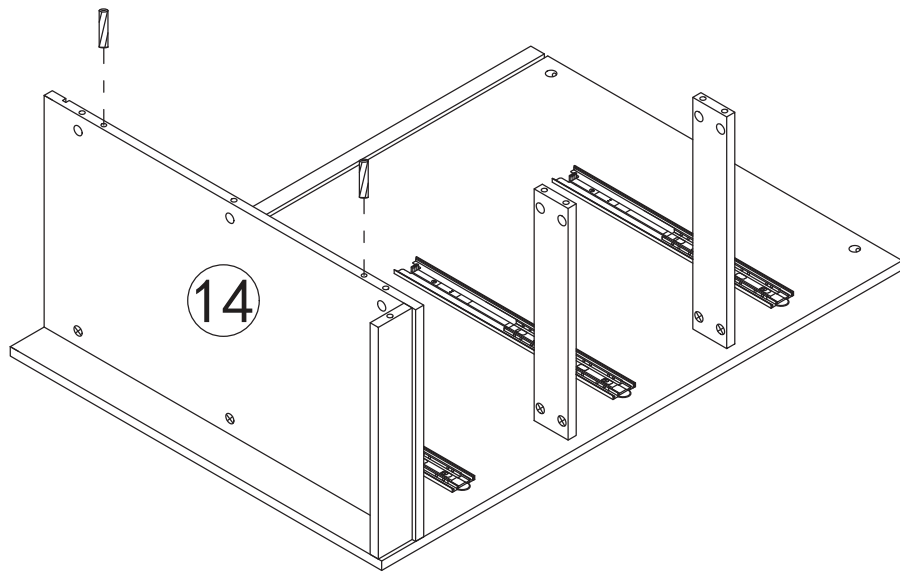
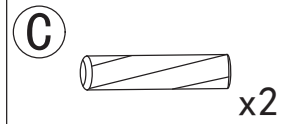
B



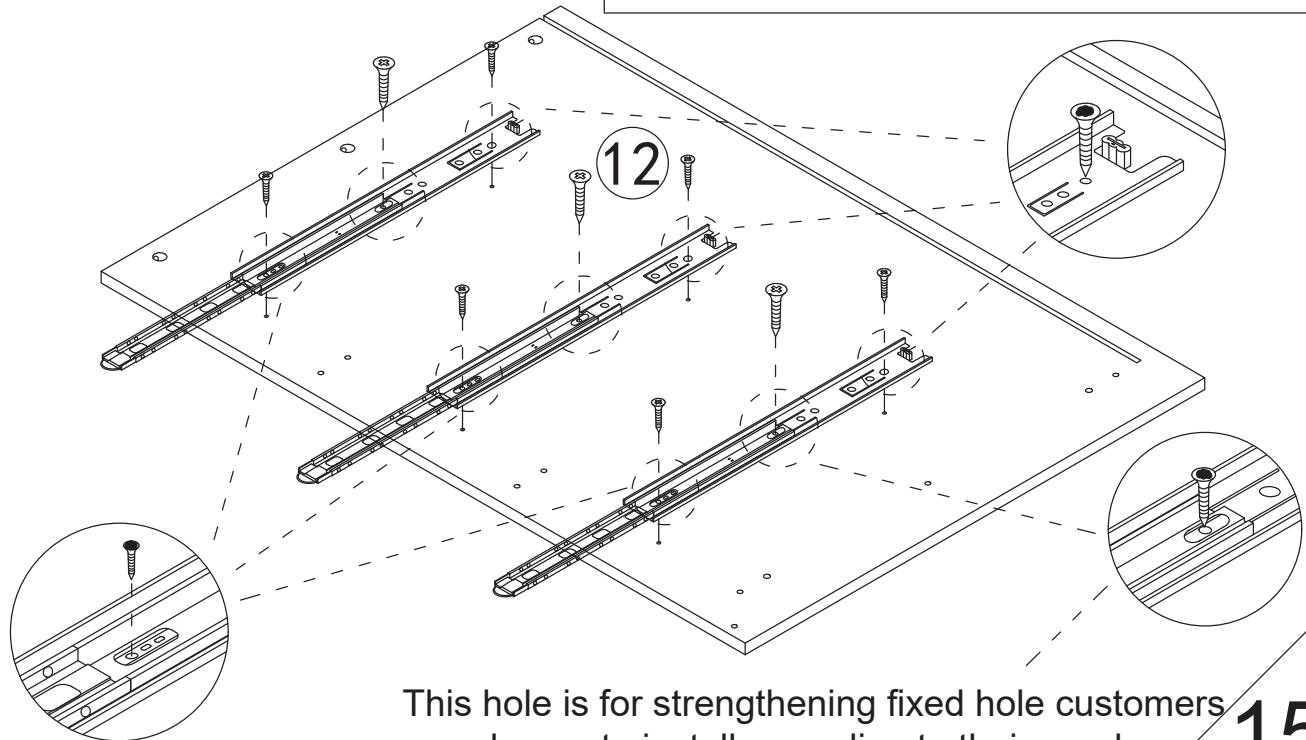
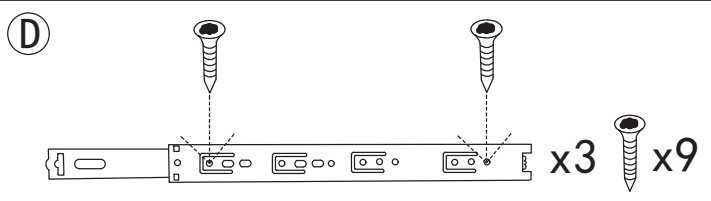
x4



Step 14

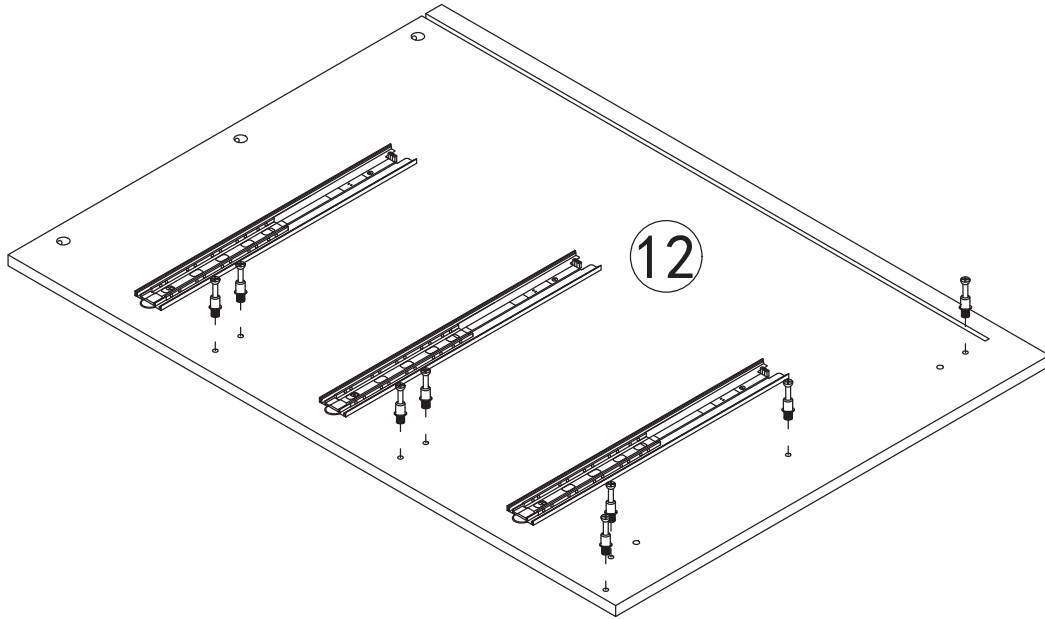
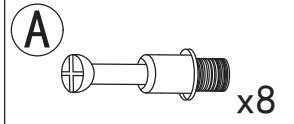


Step 15

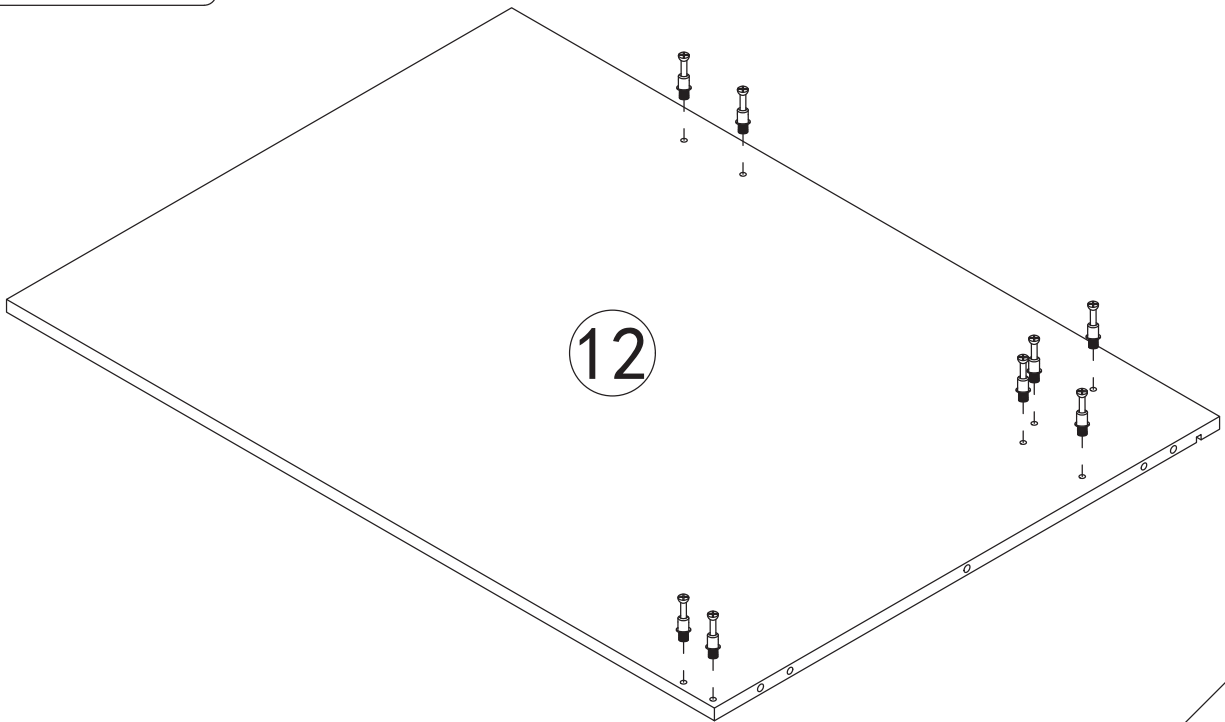
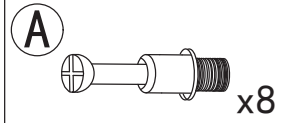


This hole is for strengthening fixed hole customers can choose to install according to their needs.

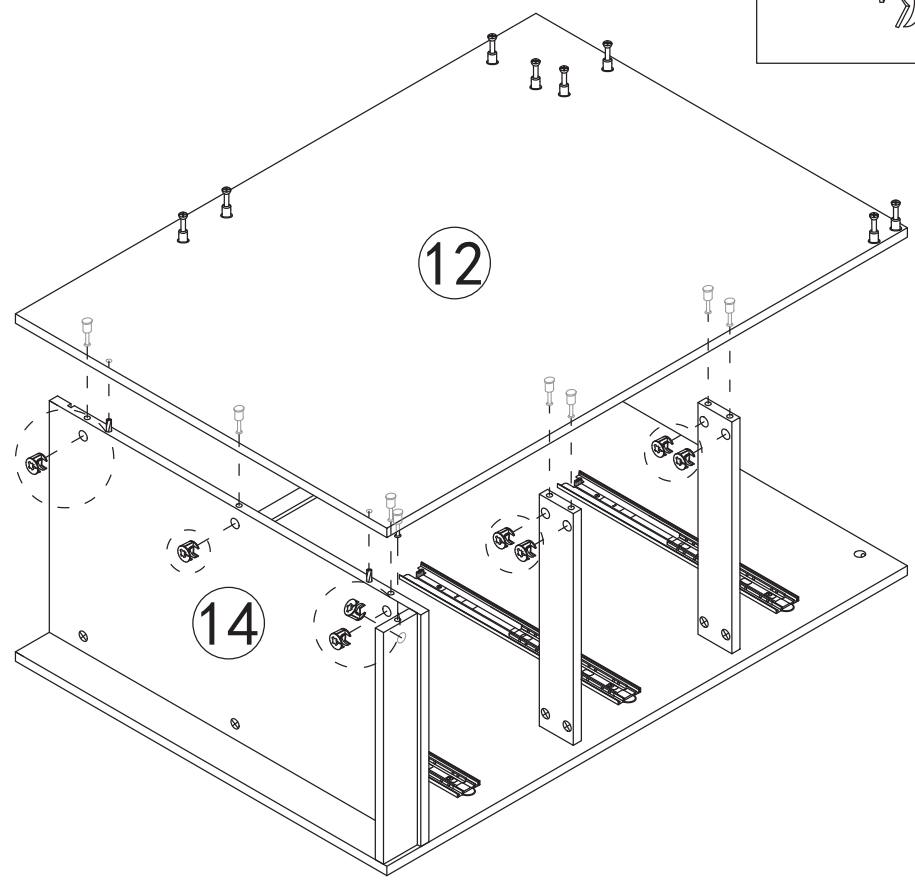
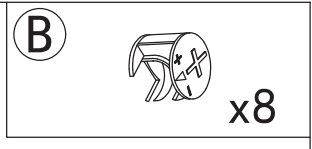
Step 16



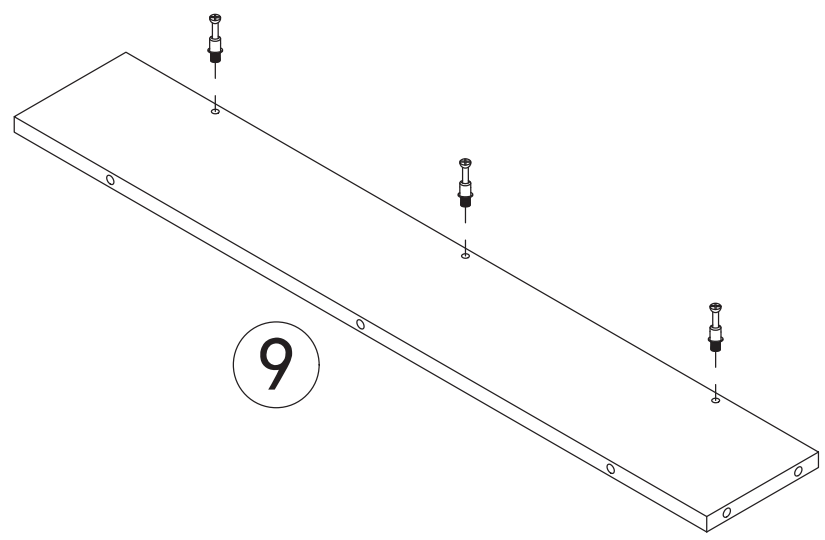
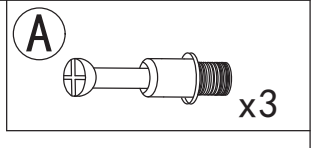
Step 17




Step 18

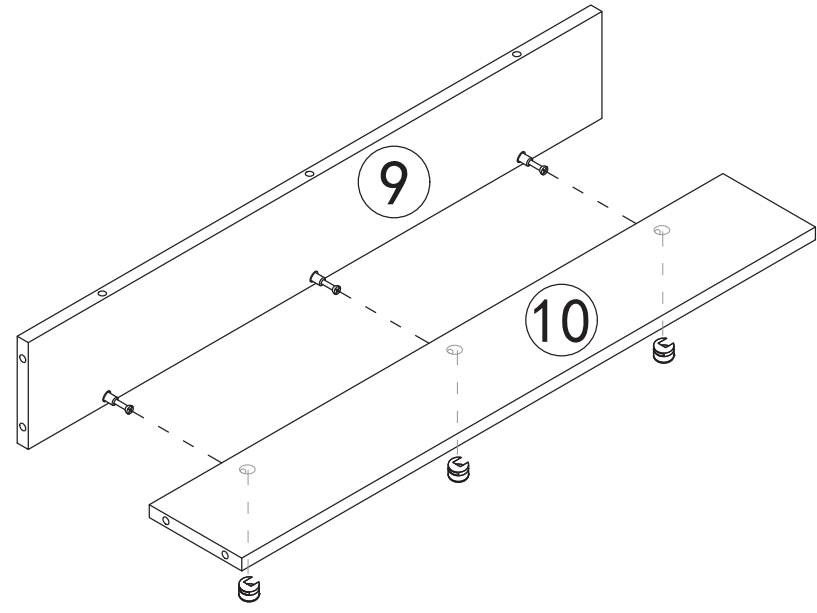


Step 19

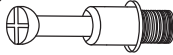


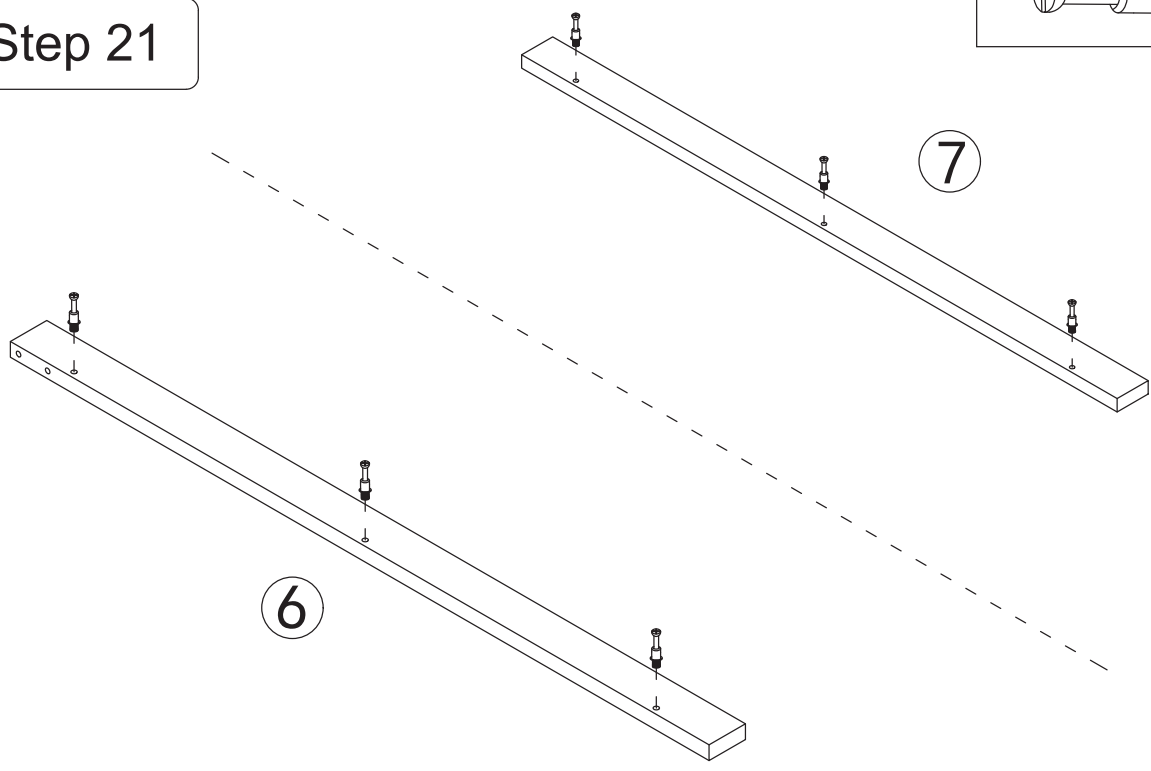
Step 20

B  x3

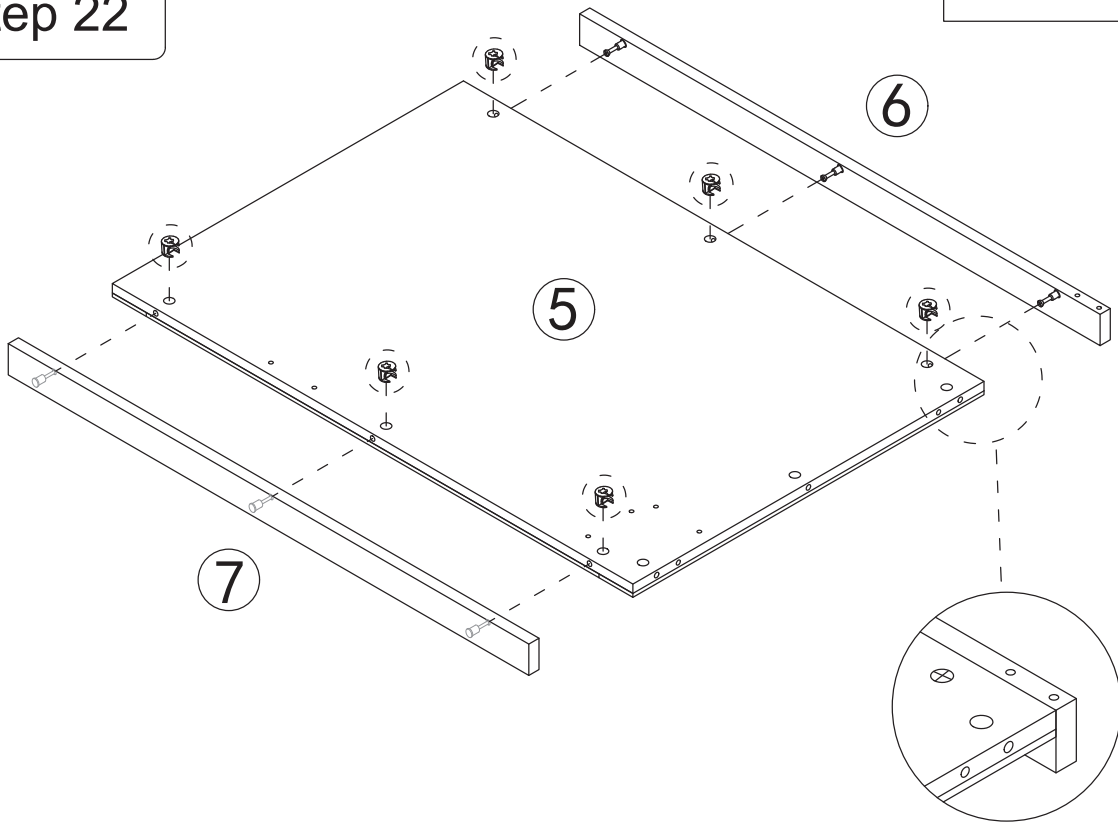
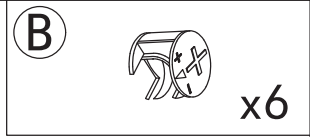


Step 21

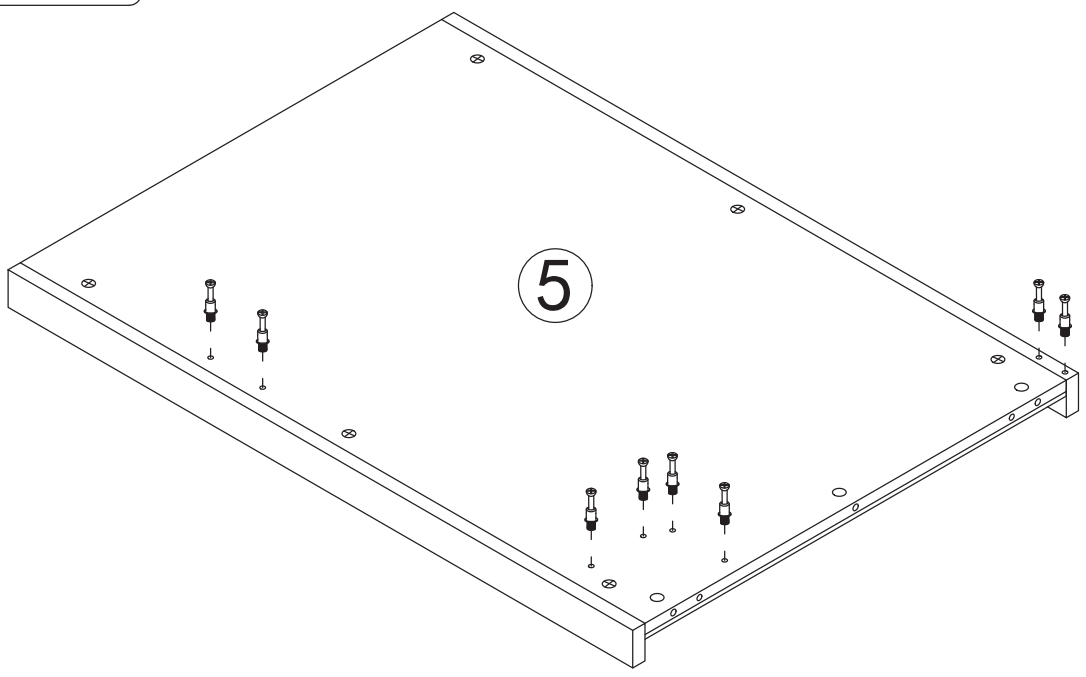
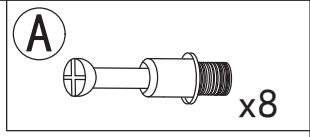
A  x6



Step 22



Step 23

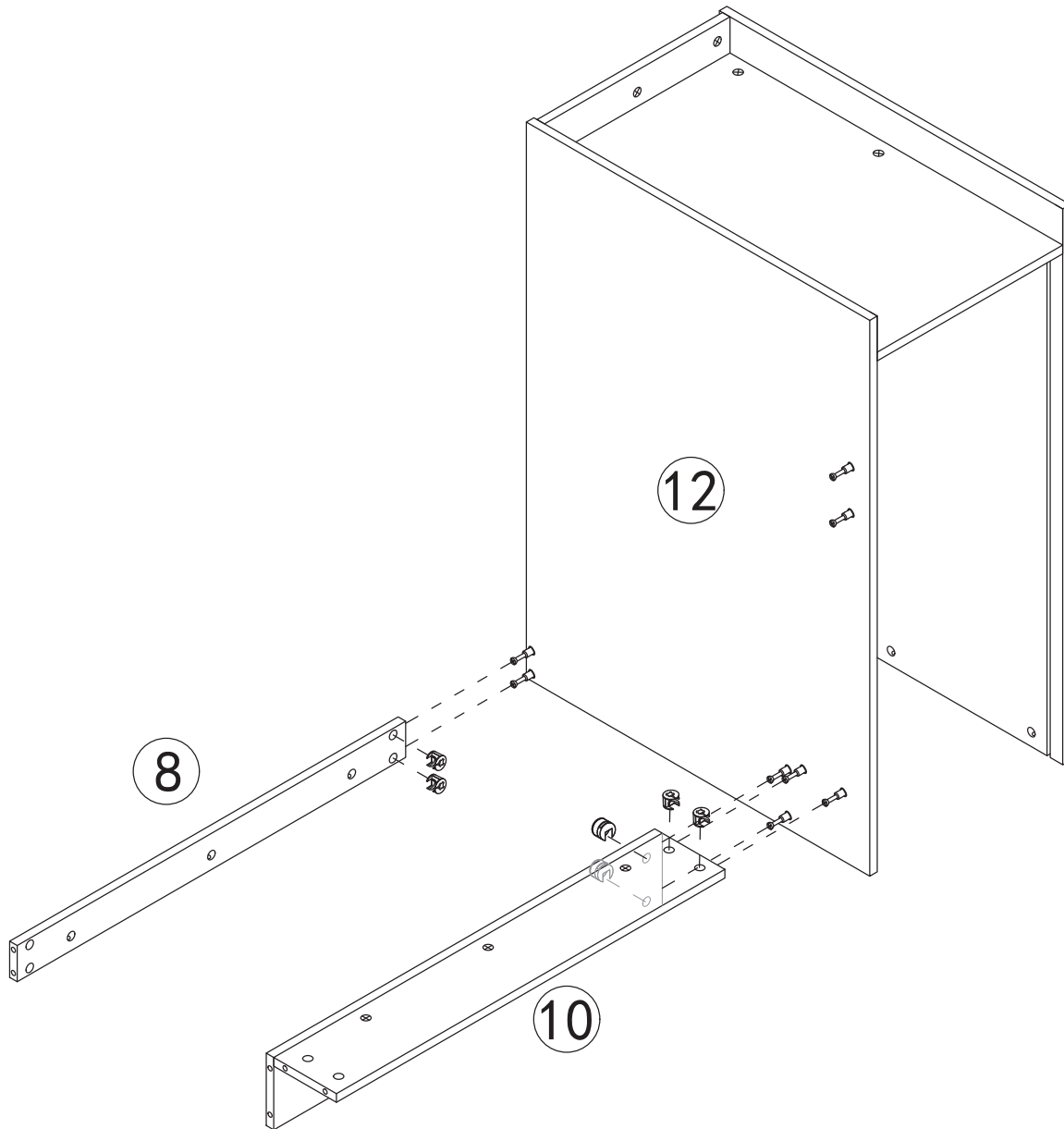


Step 24

B



x6

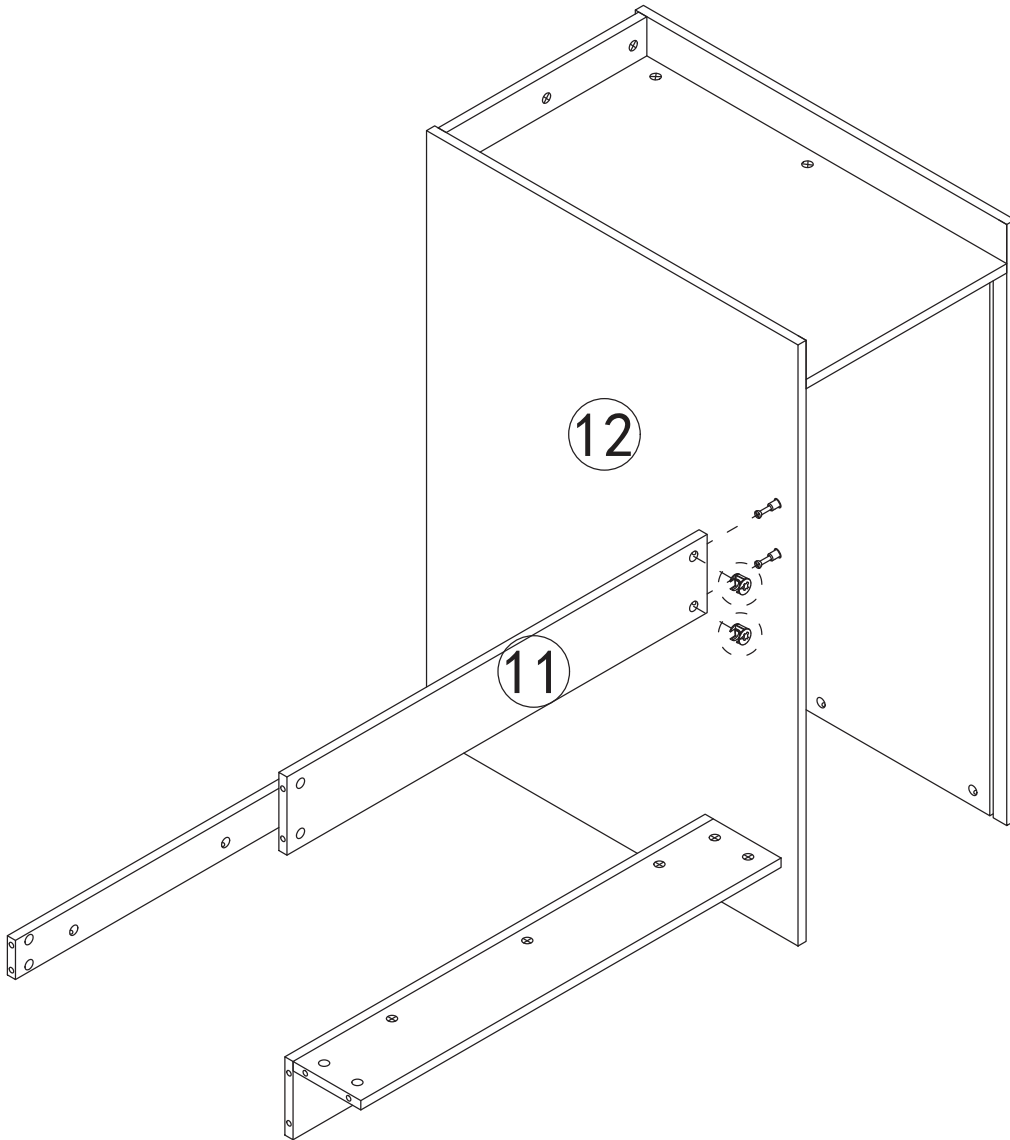


Step 25

B



x2

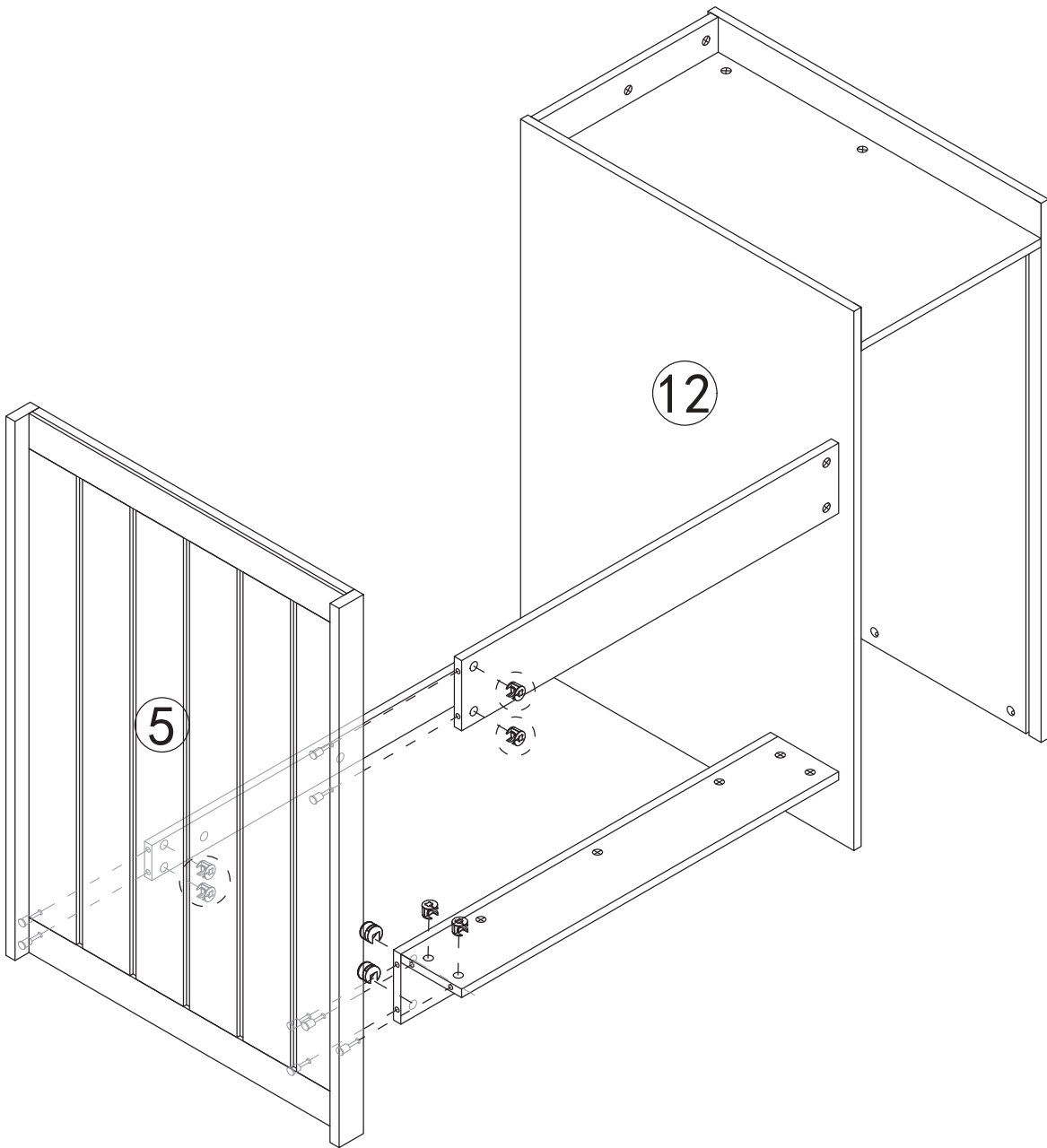


Step 26

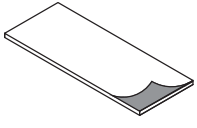
B

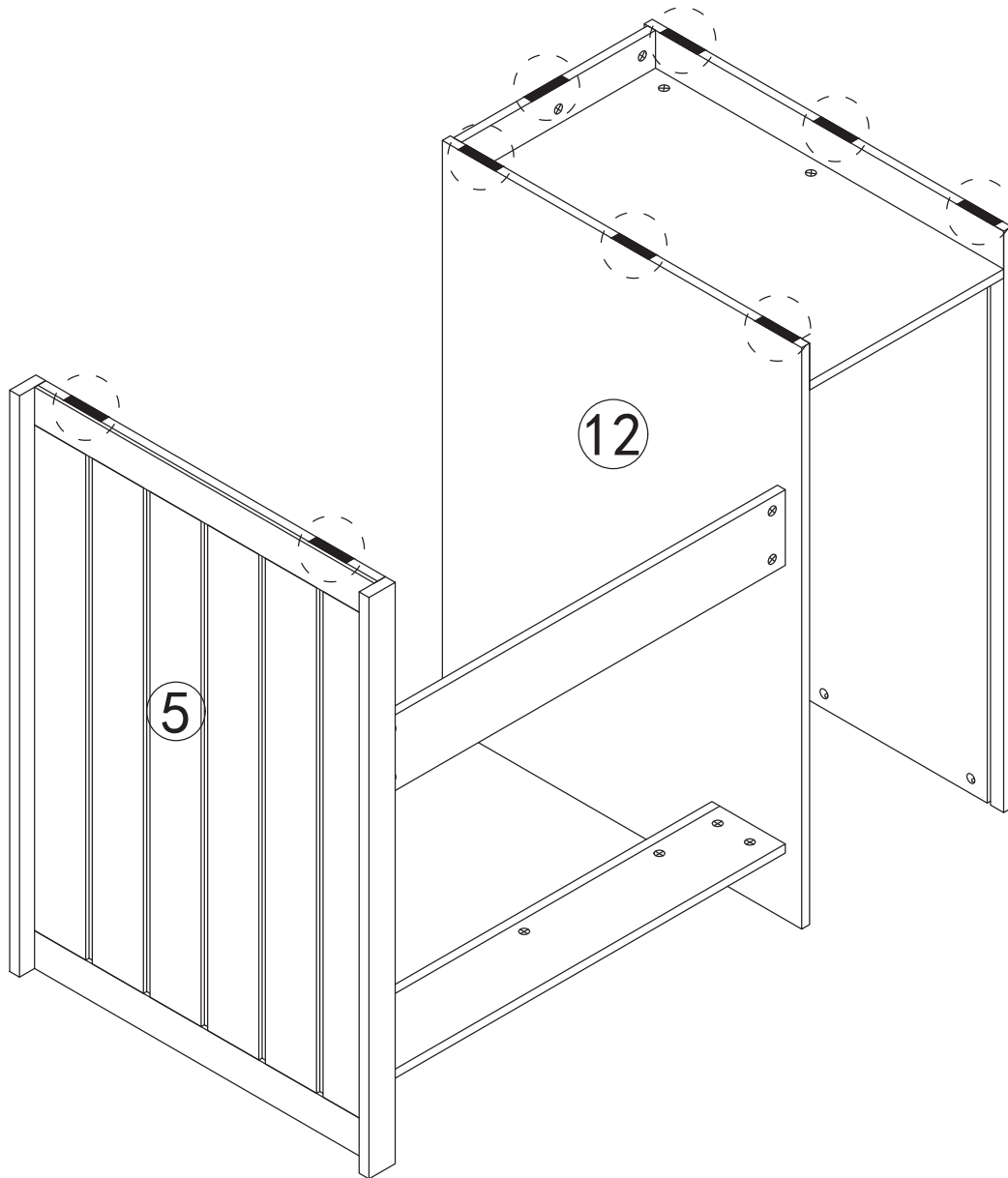


x8

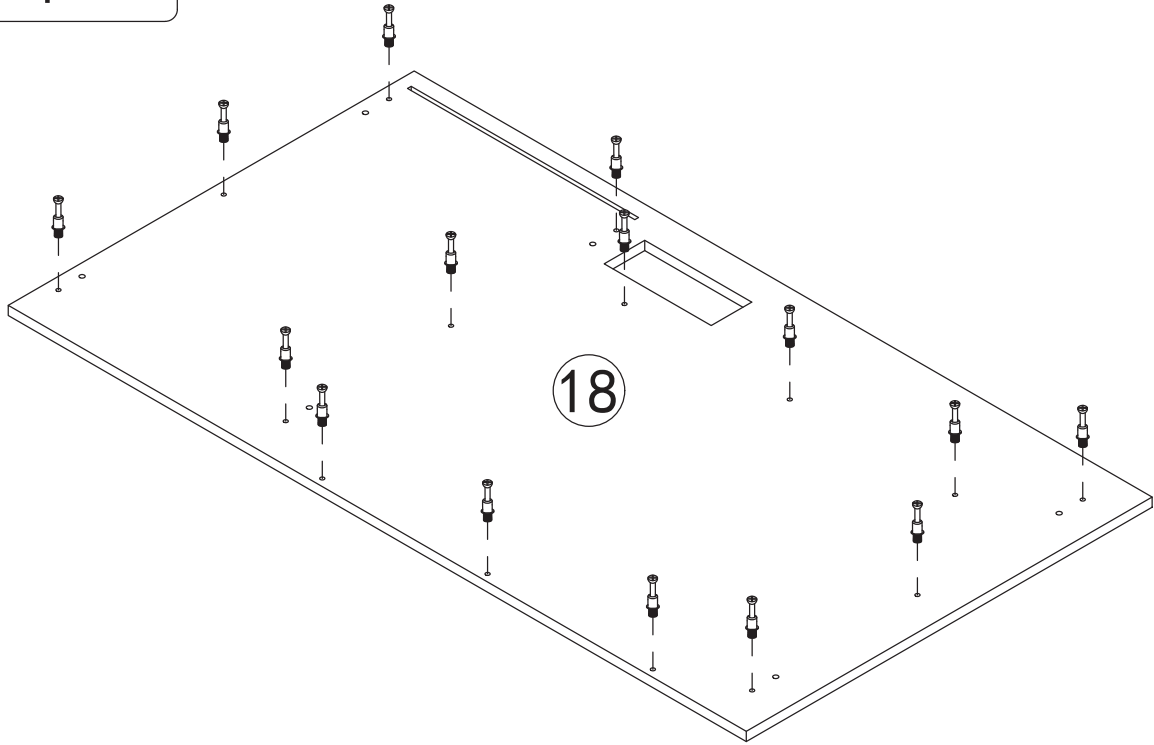
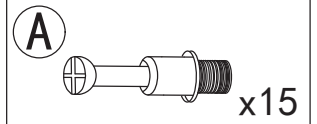


Step 27

E  **x9**
Tear off release paper and stick the
black foot pad on the board

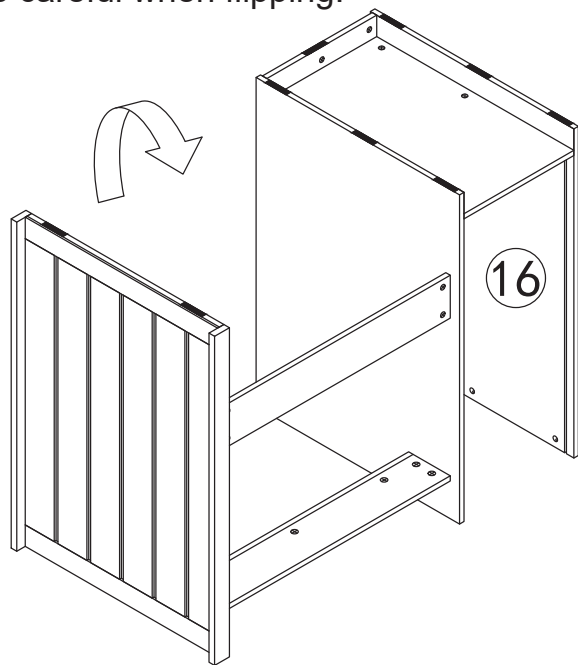


Step 28

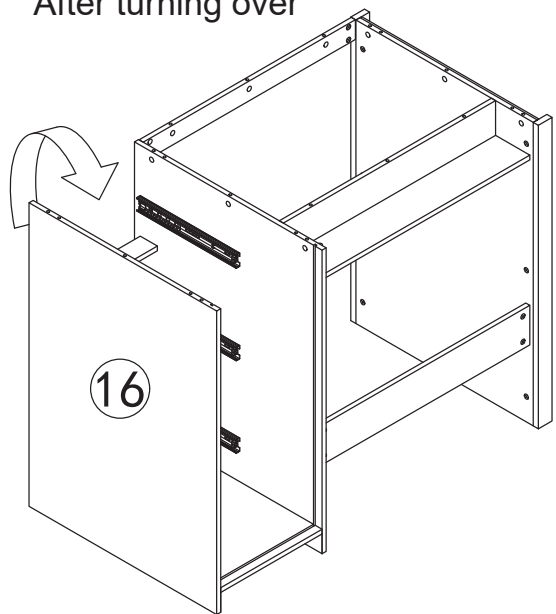


Step 29

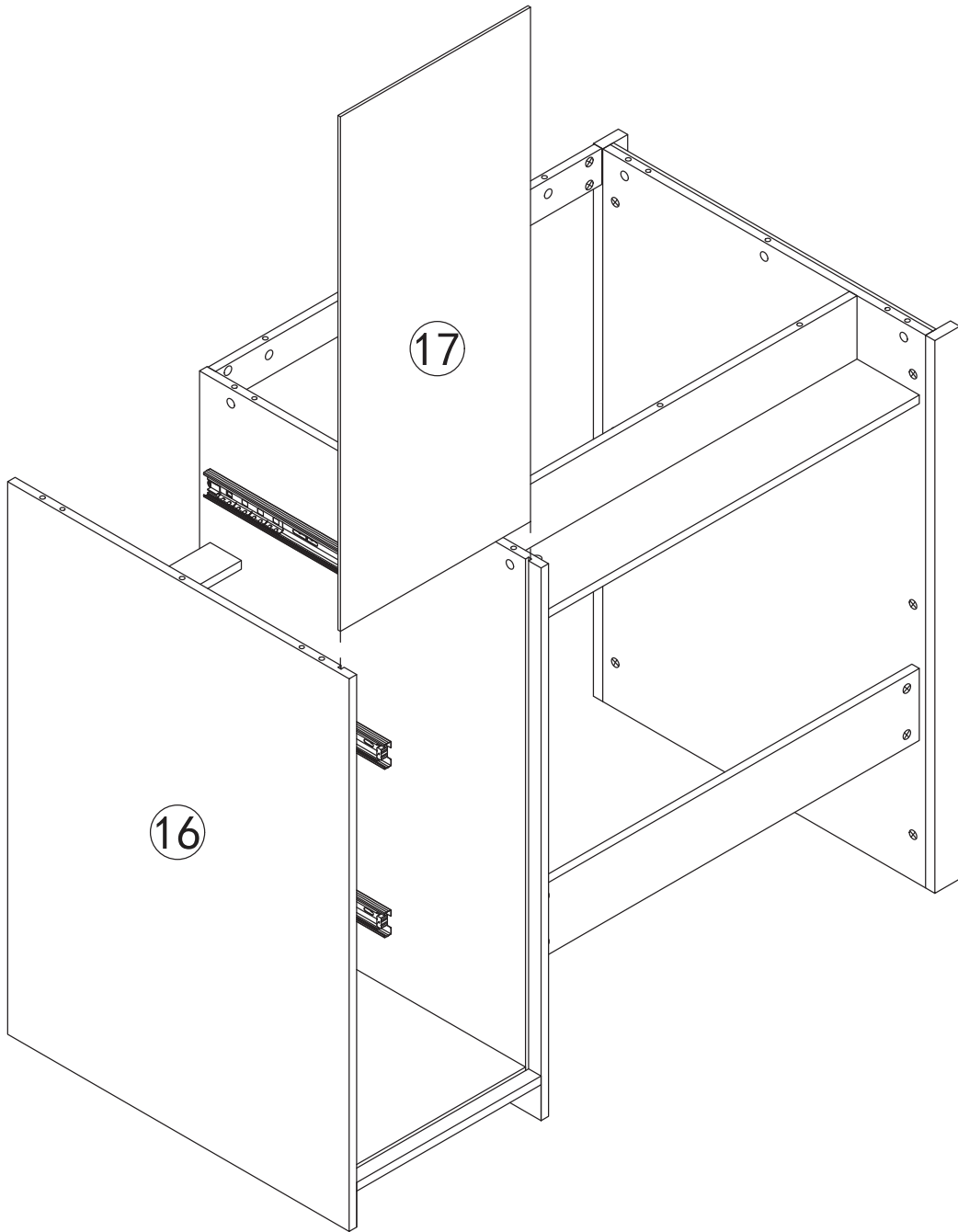
Be careful when flipping.



After turning over

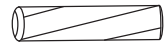


Step 30

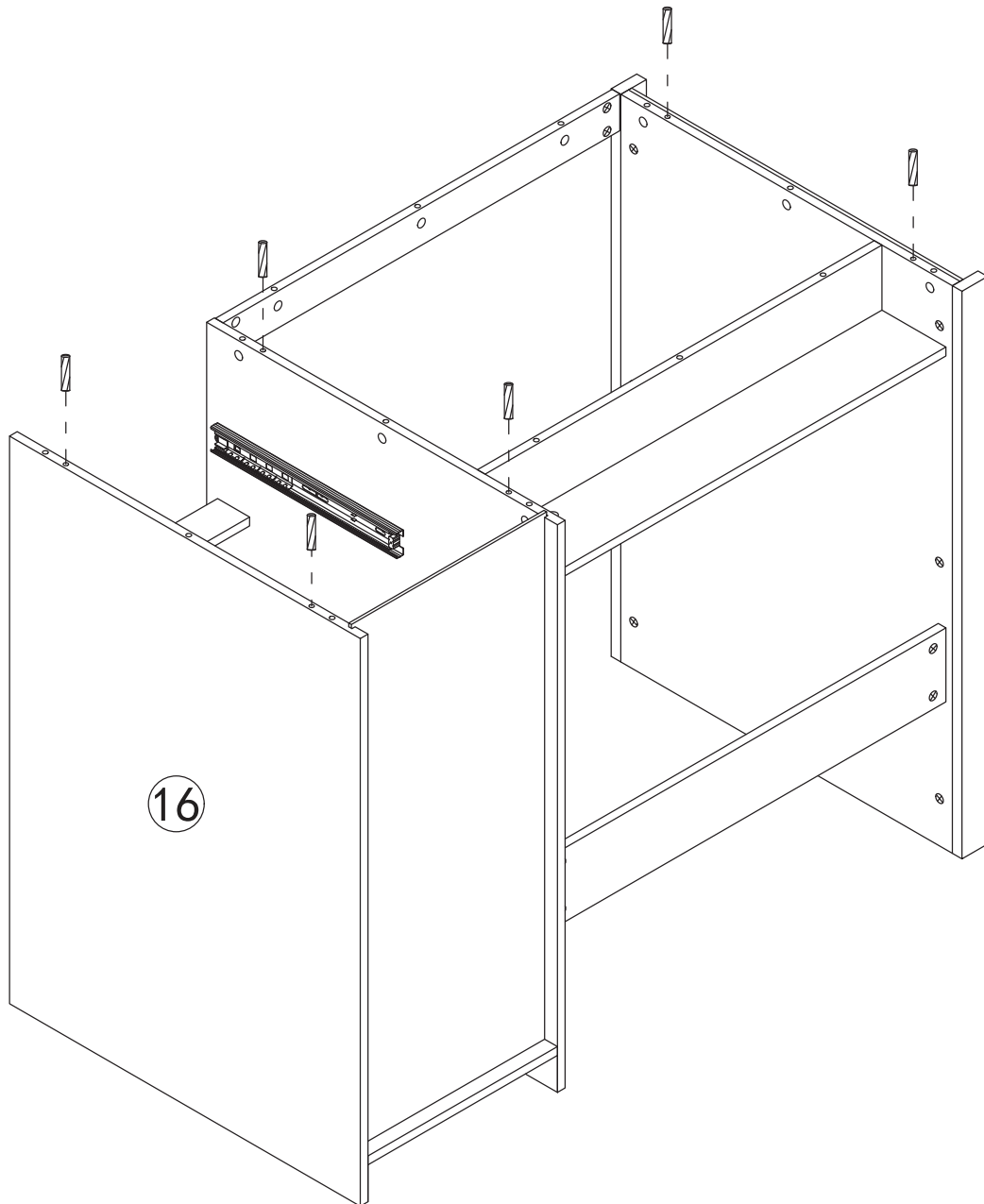


Step 31

C



x6

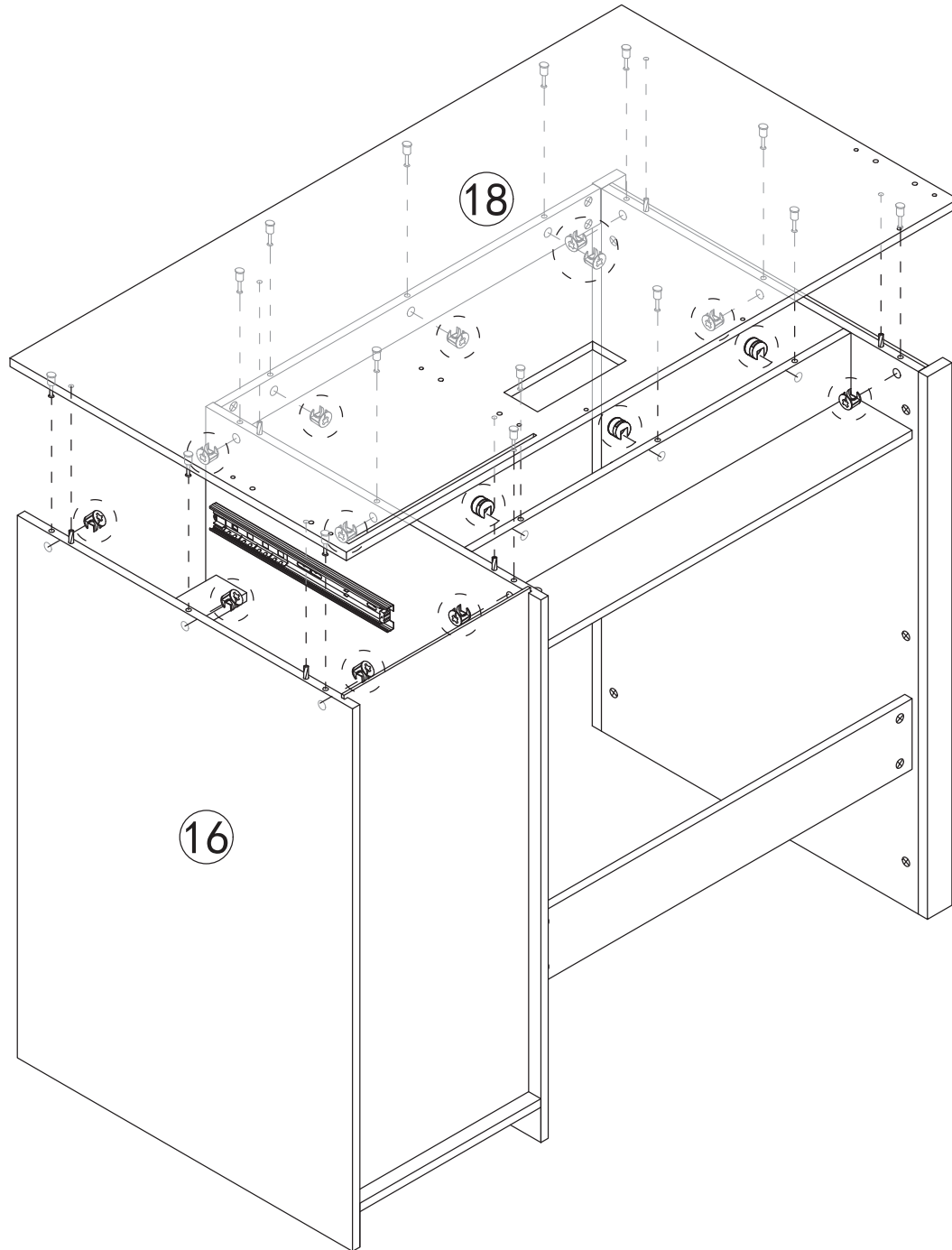


Step 32

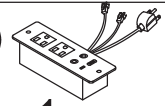

B

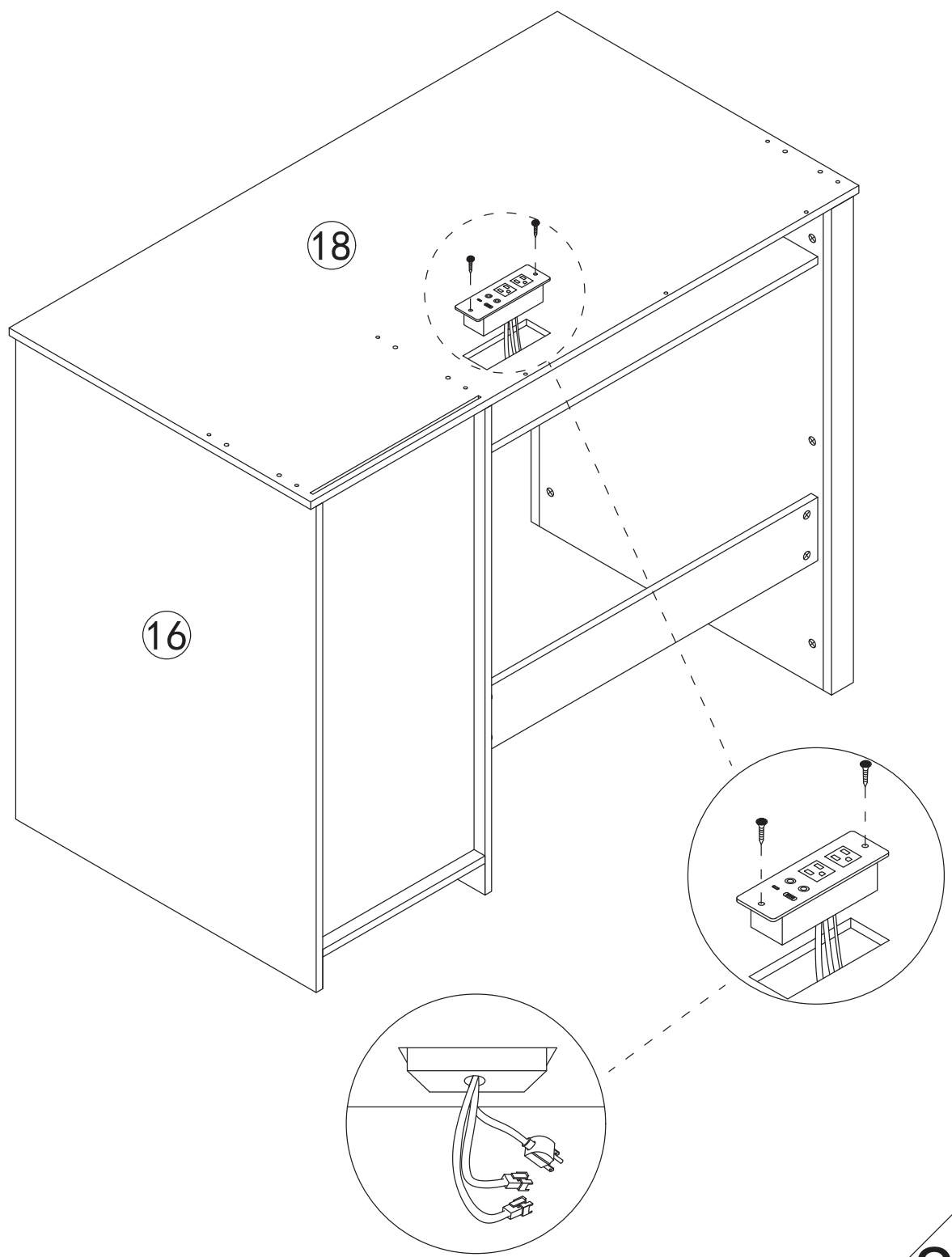


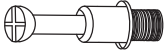

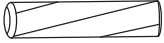
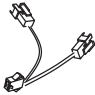



x15

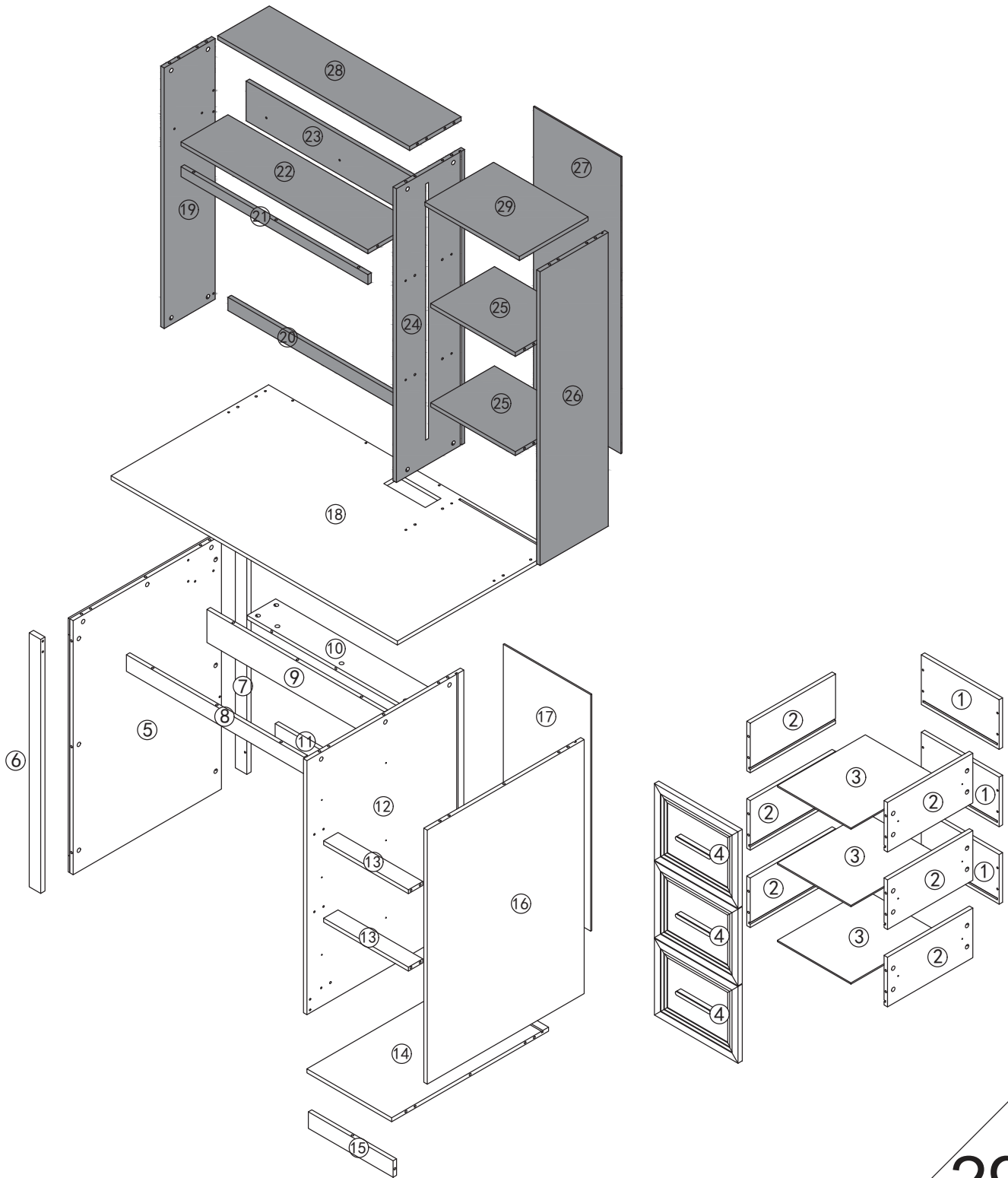


Step 33

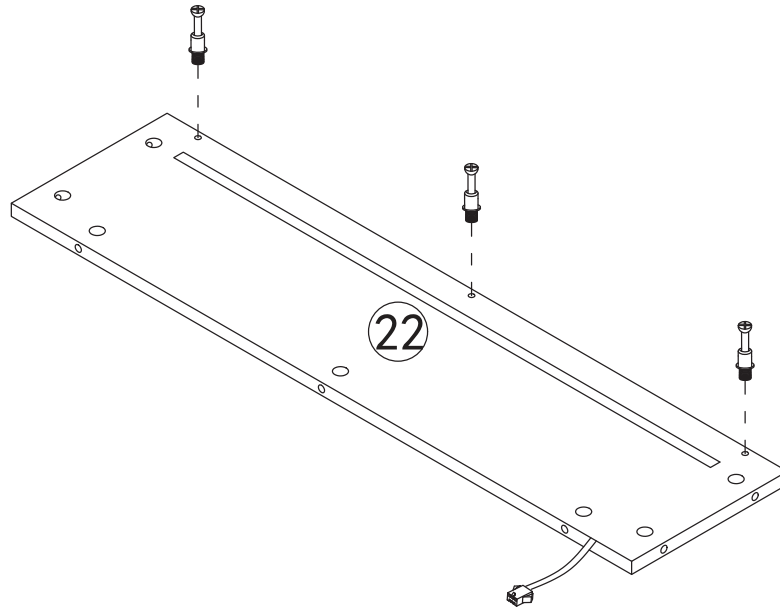
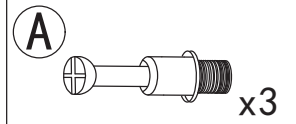
J  **x1**  **x2**



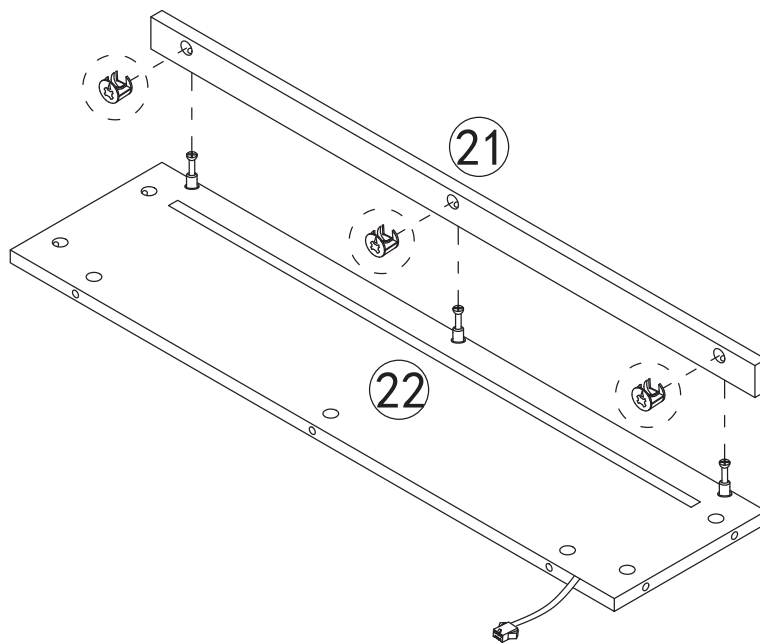
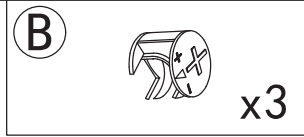
A		41pcs	B		41pcs	C		22pcs
G		1pcs	H	 12pcs	 12pcs	I		2pcs



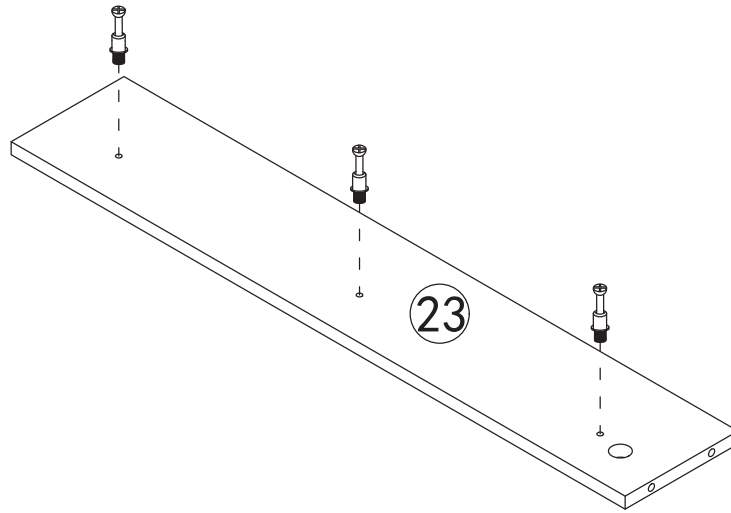
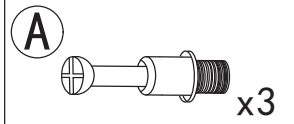
Step 34



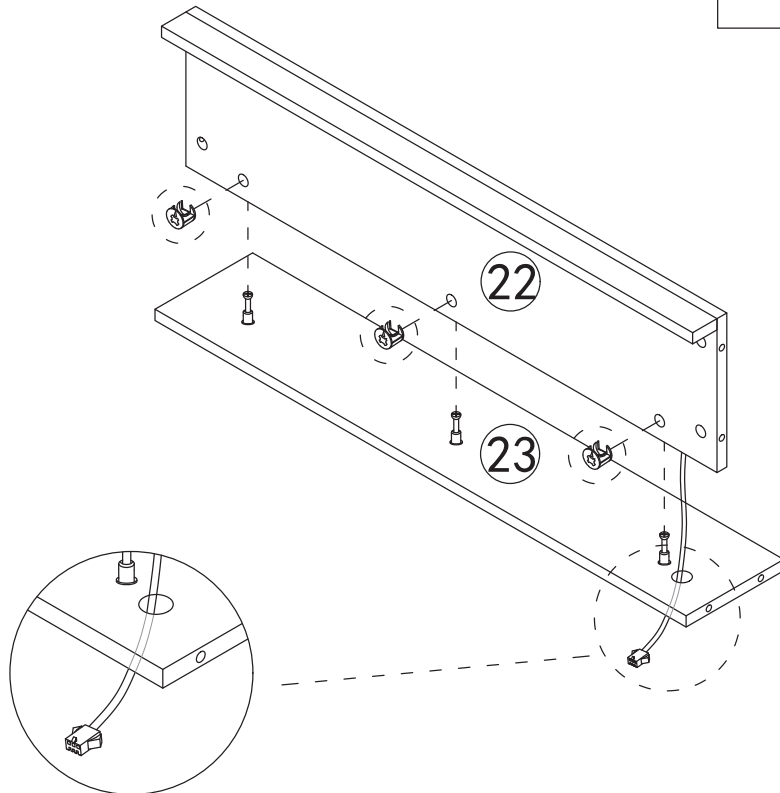
Step 35



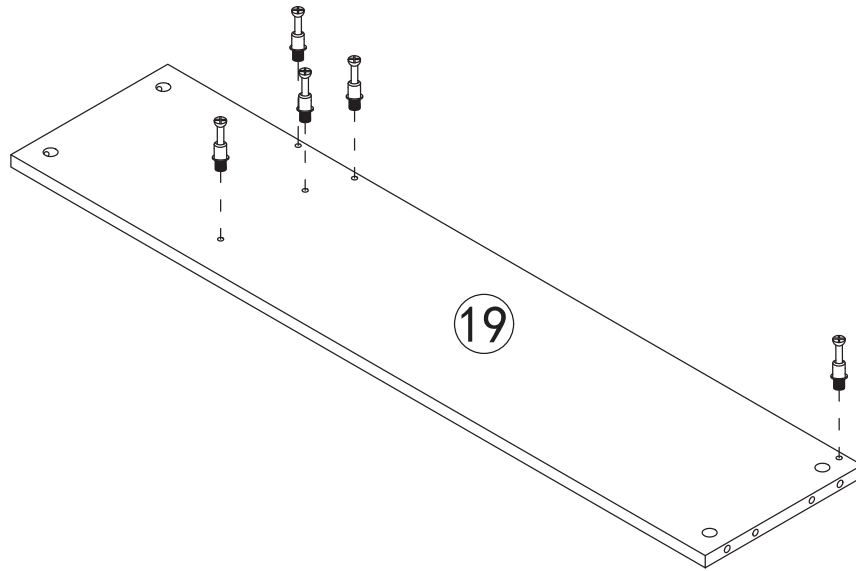
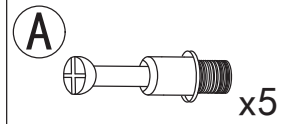
Step 36



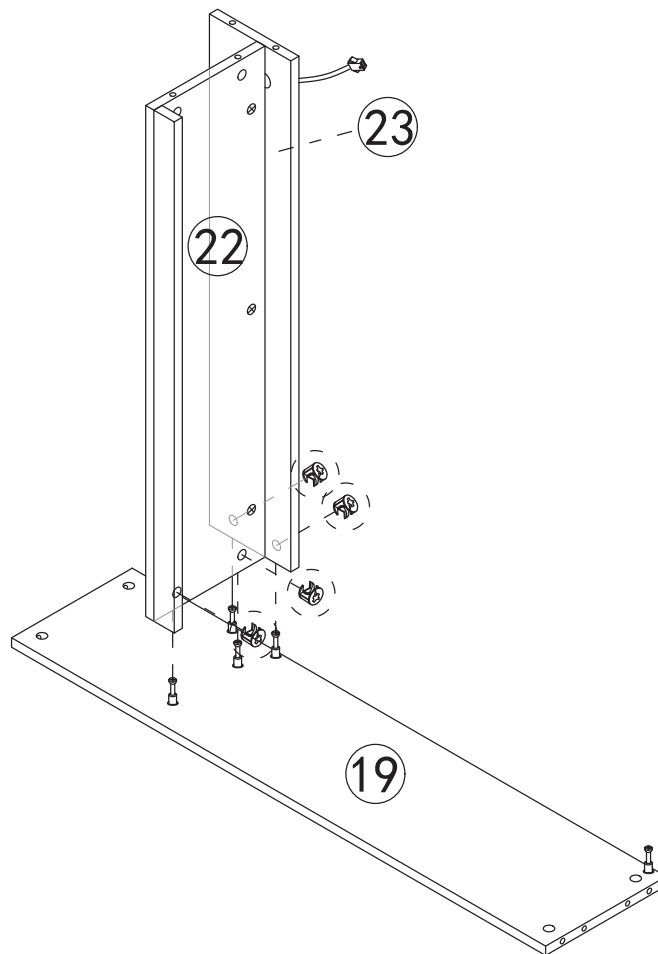
Step 37



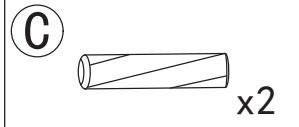
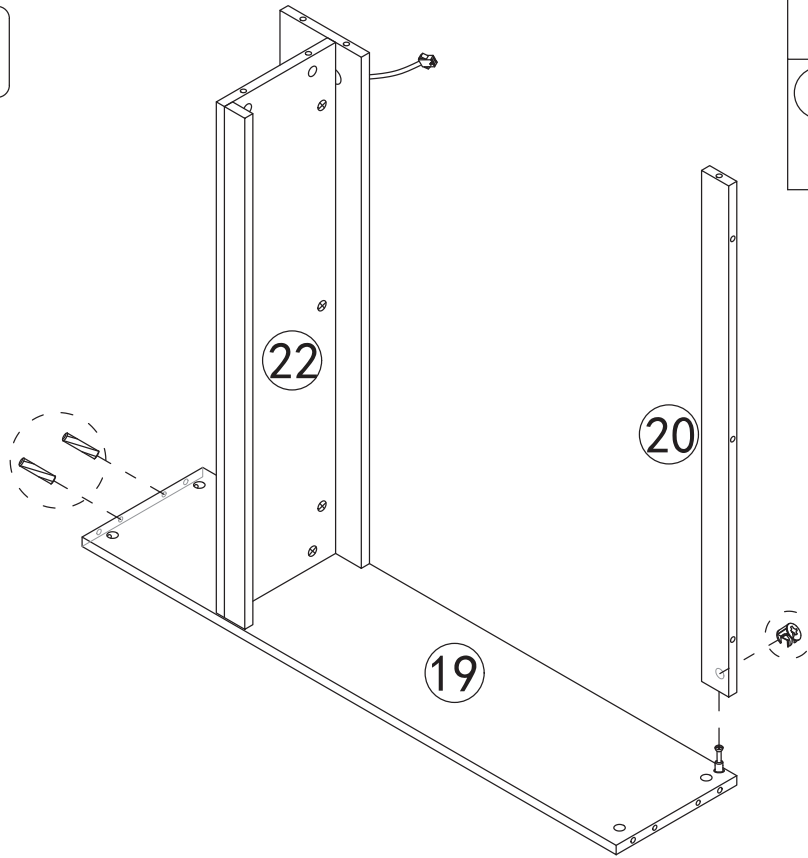
Step 38



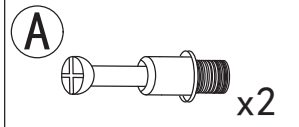
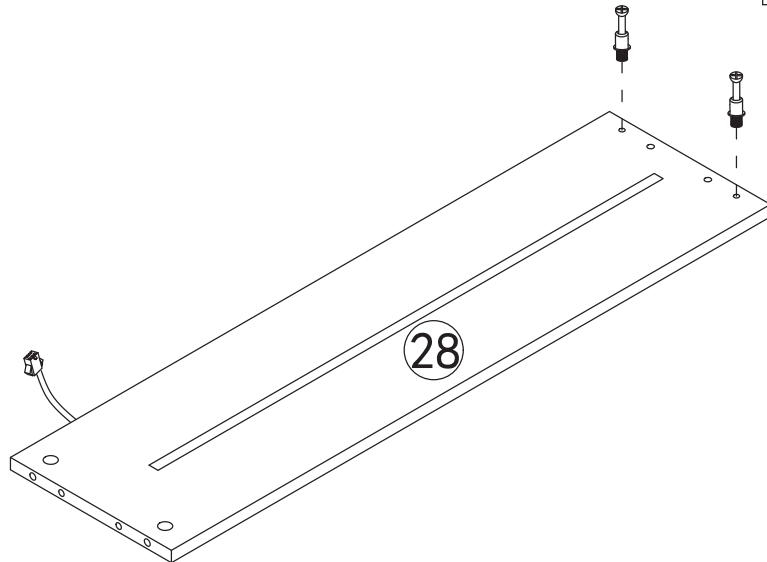
Step 39



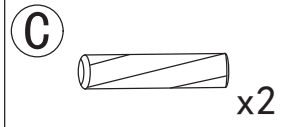
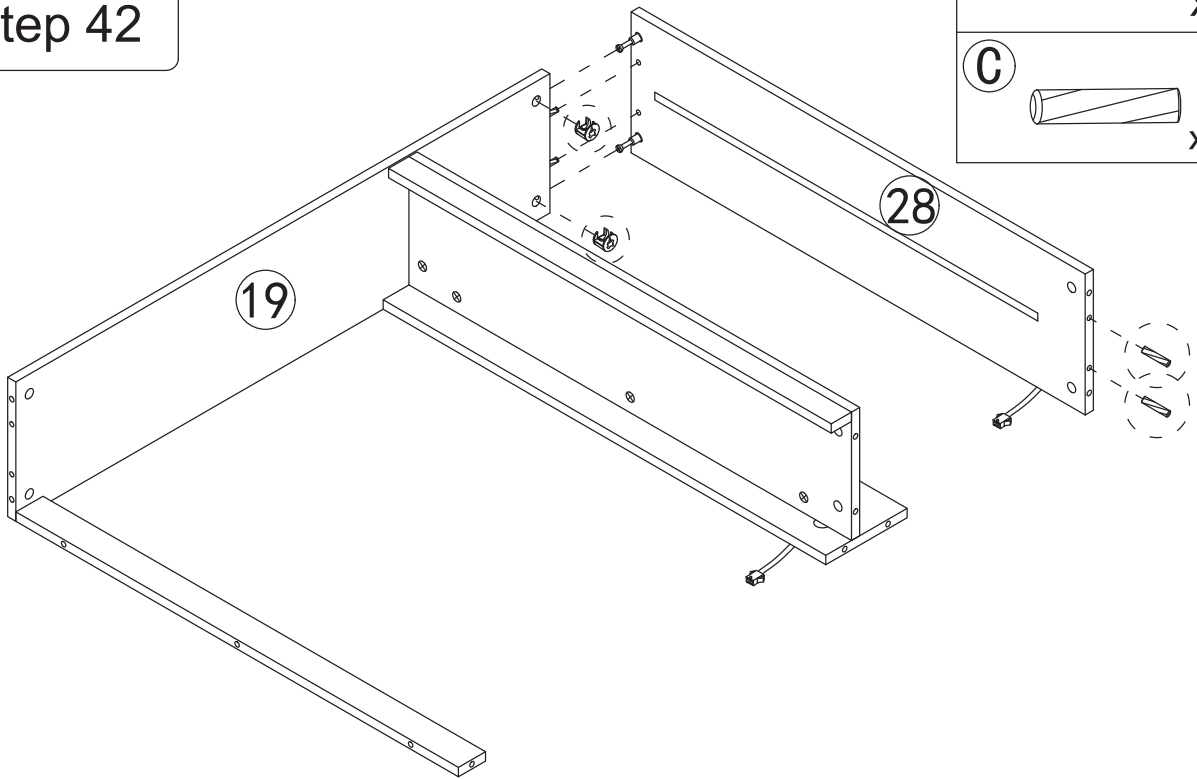
Step 40



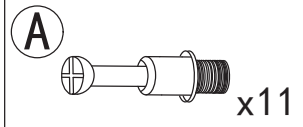
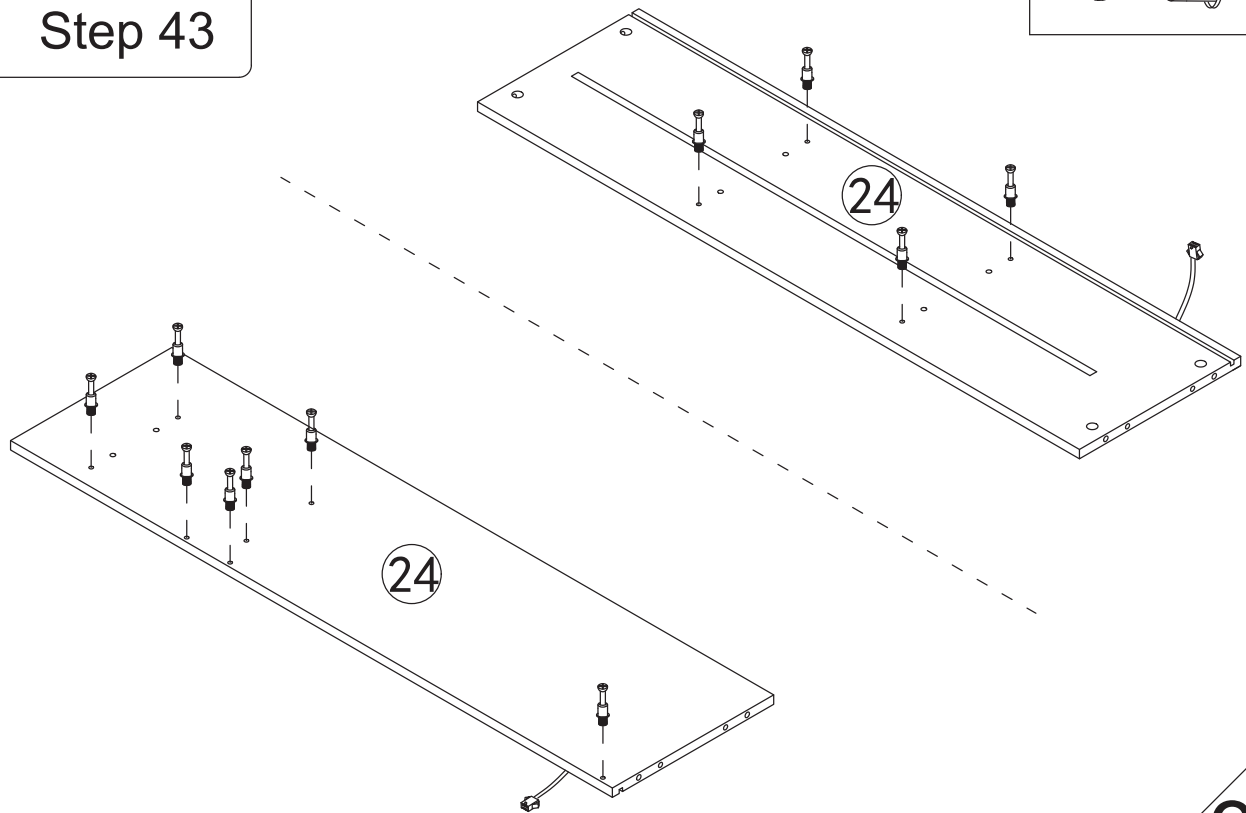
Step 41



Step 42



Step 43

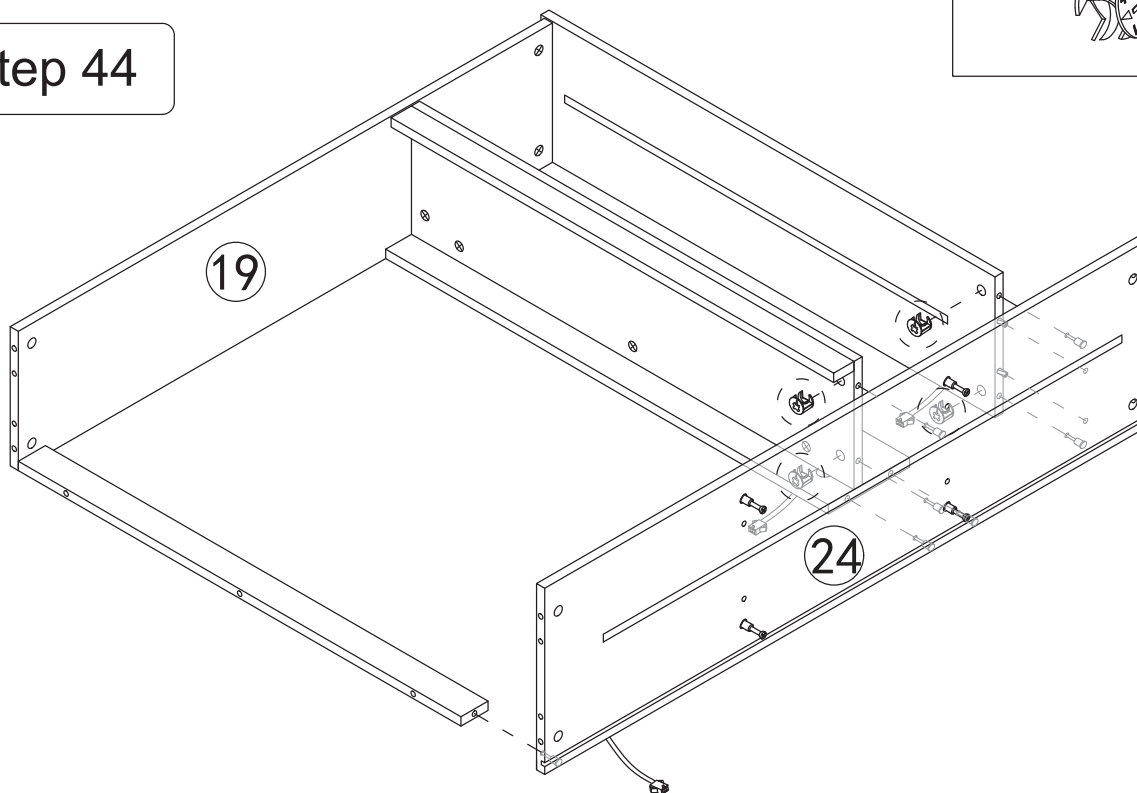


Step 44

B



x4

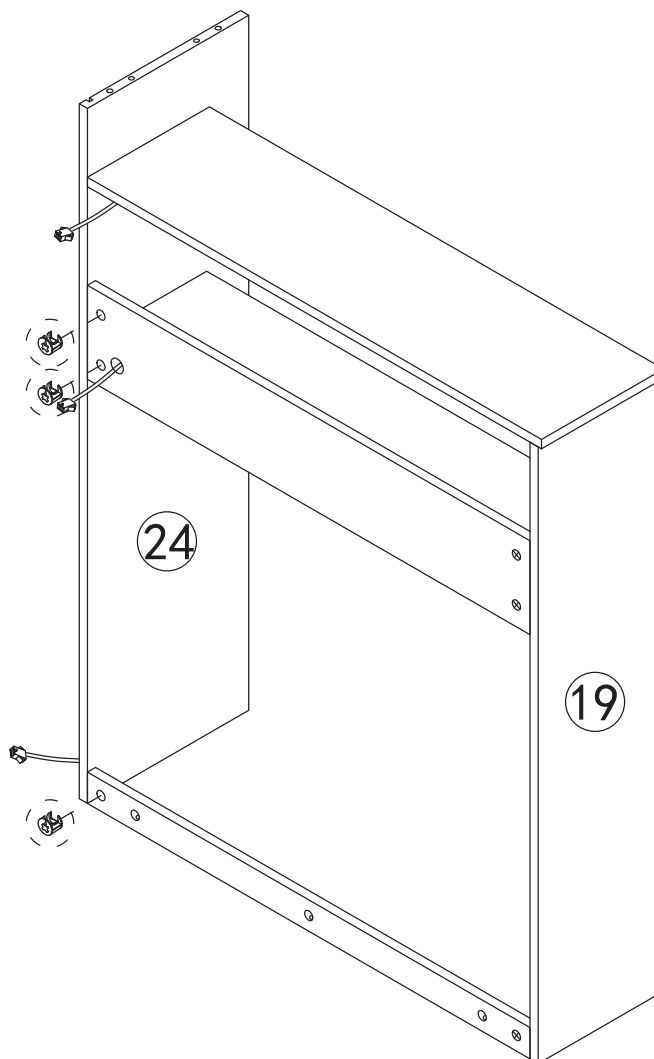


Step 45

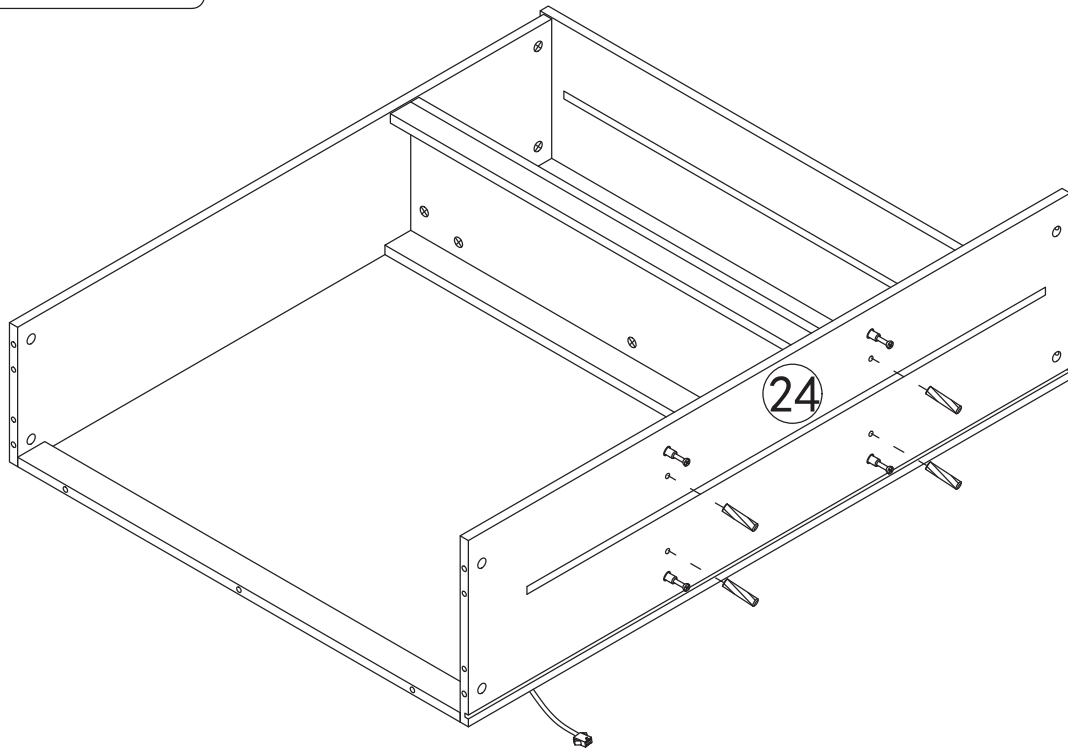
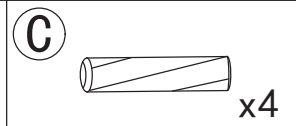
B



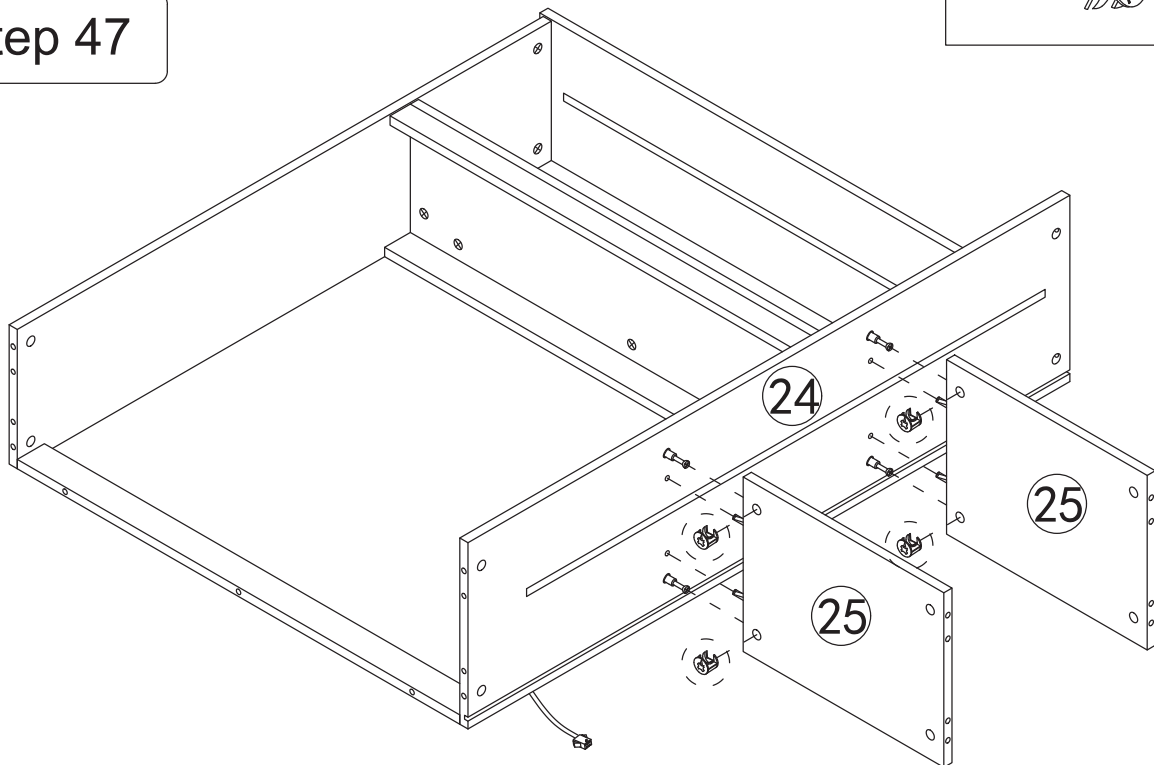
x3



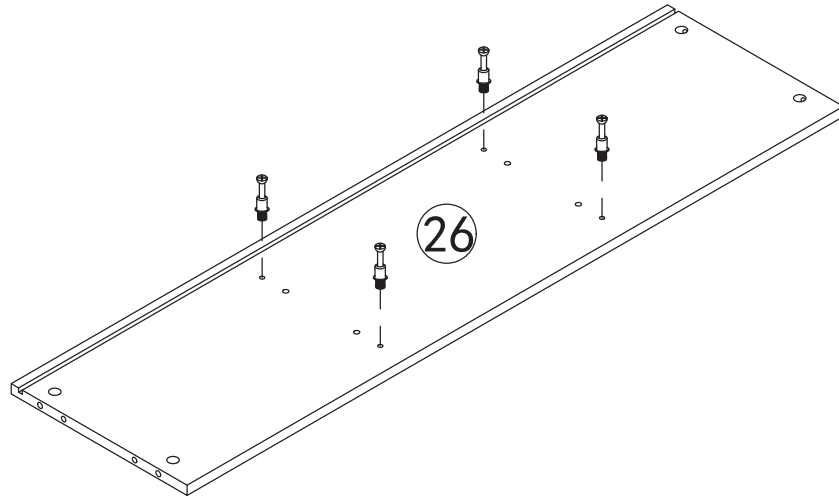
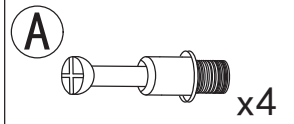
Step 46



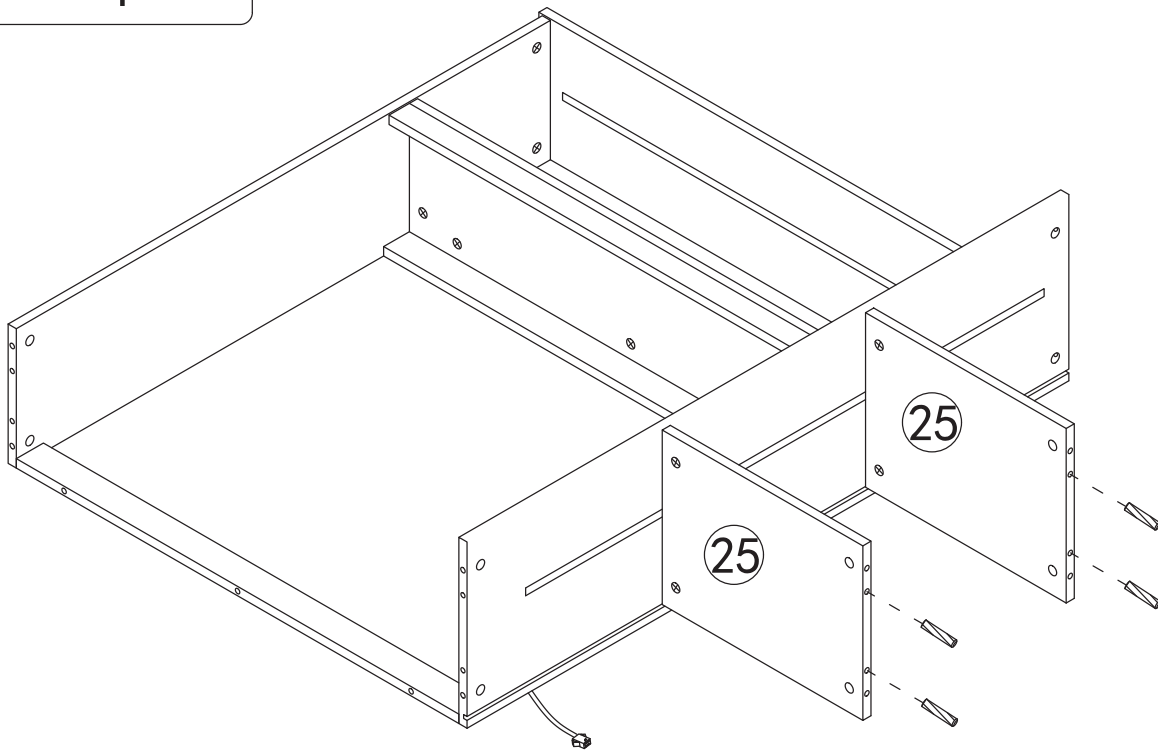
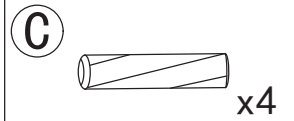
Step 47



Step 48



Step 49

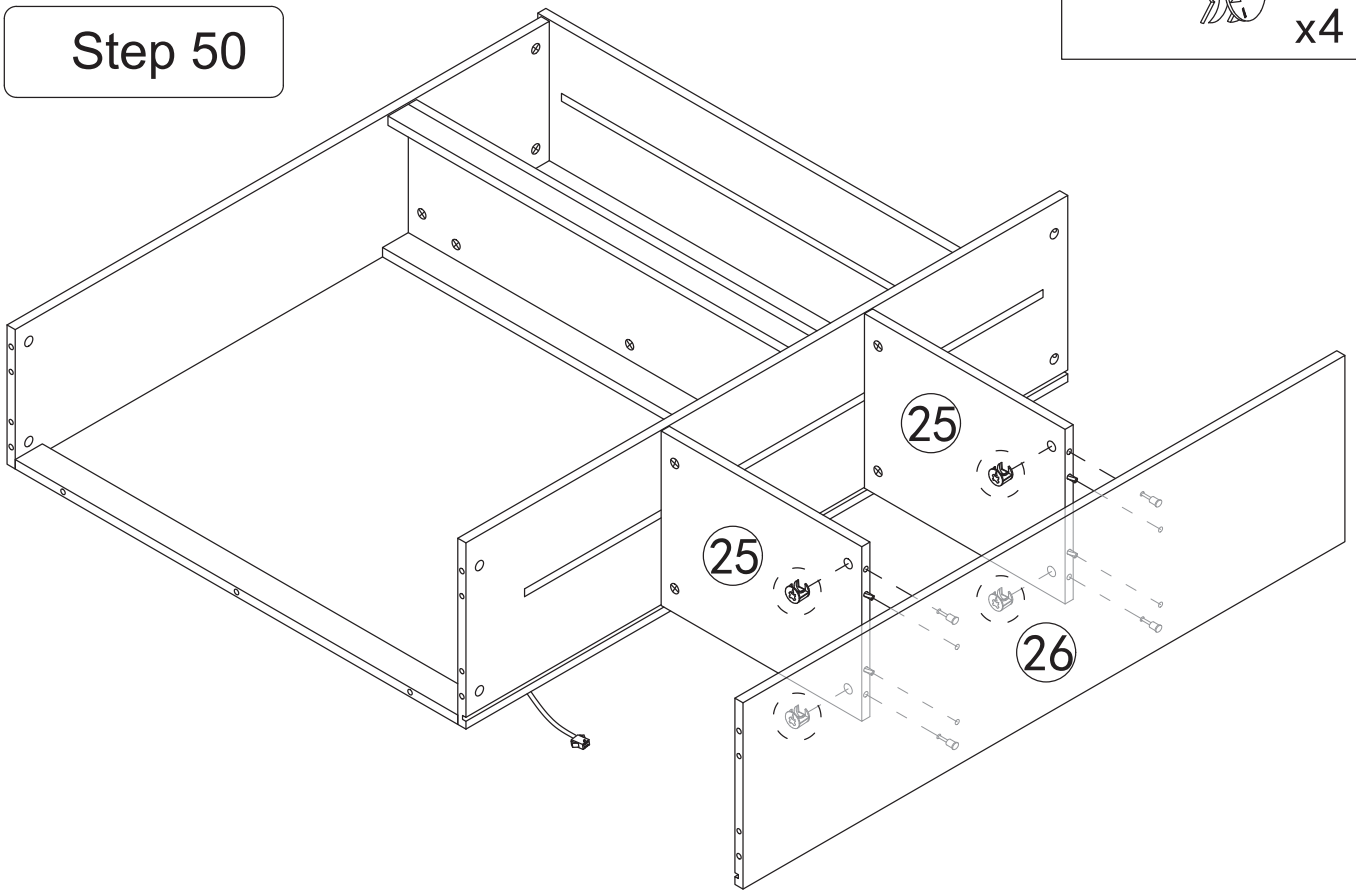


Step 50

B

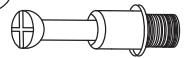


x4

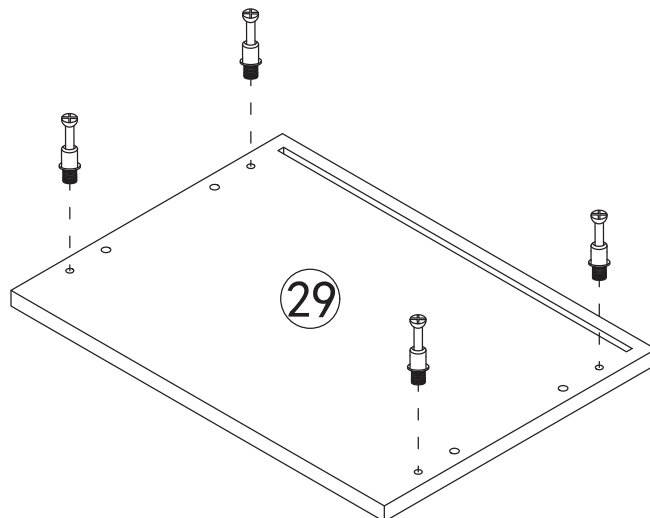


Step 51

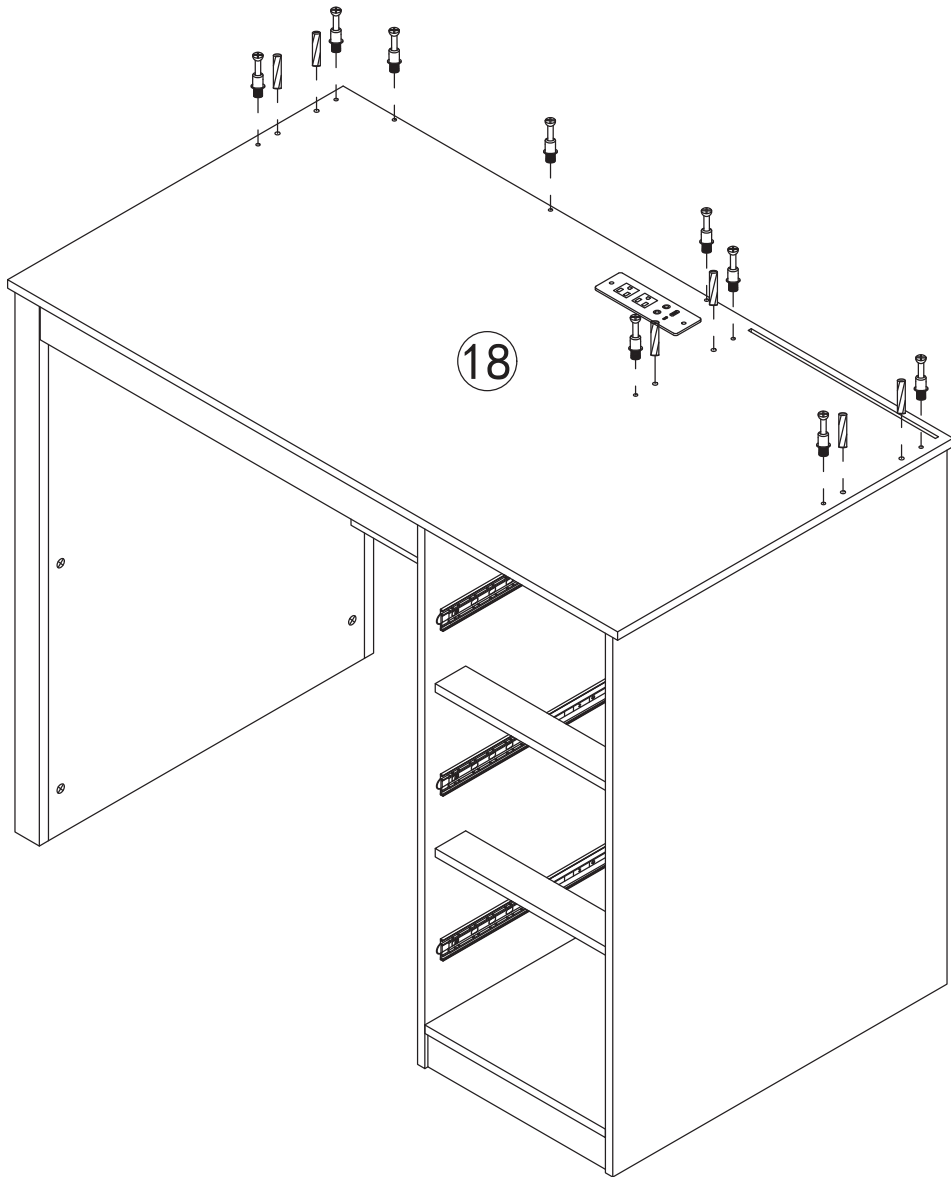
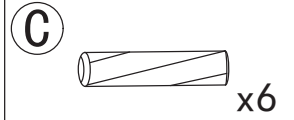
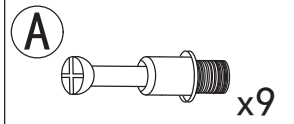
A



x4



Step 52

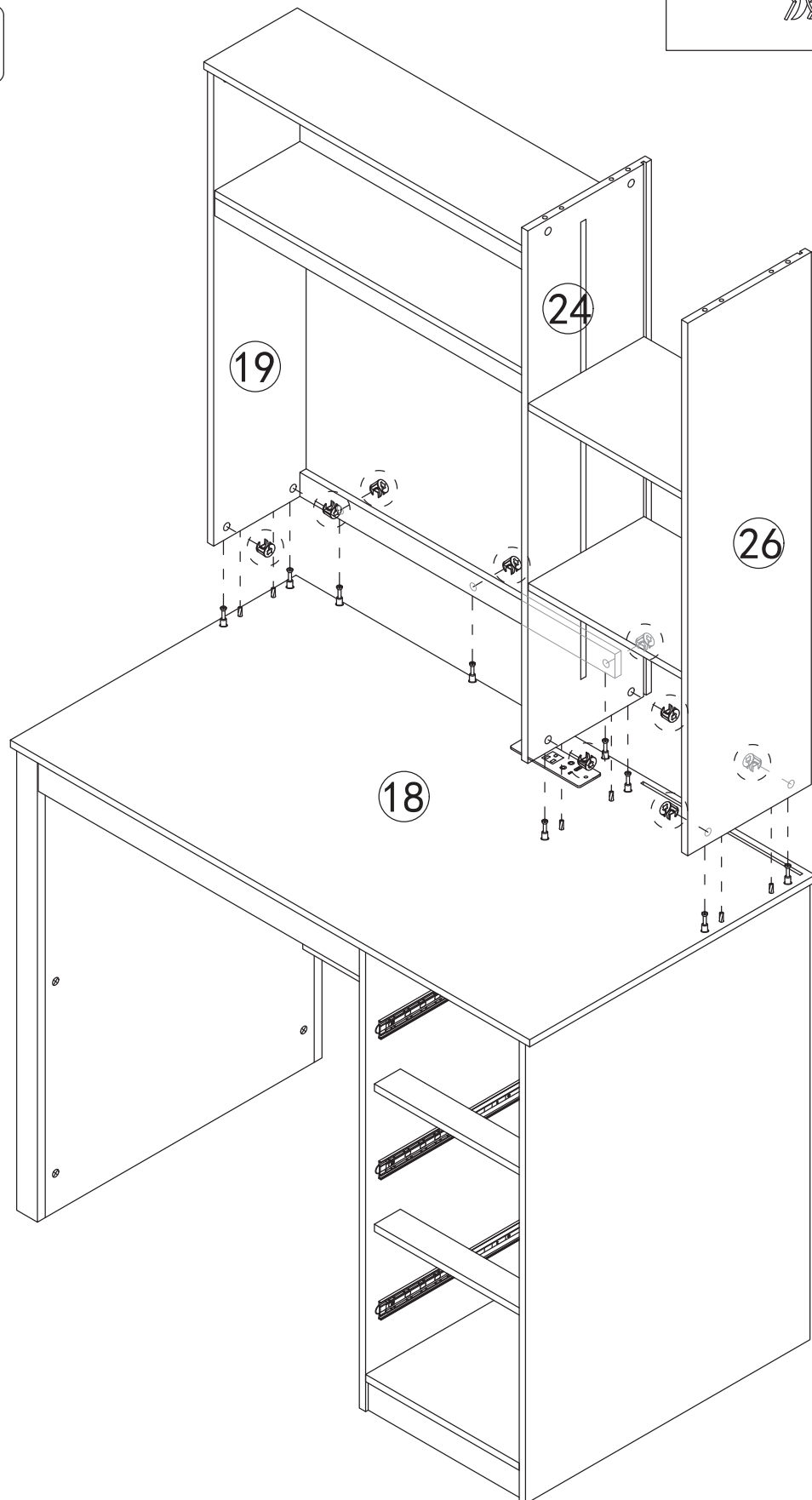


Step 53

B



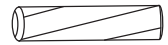
x9



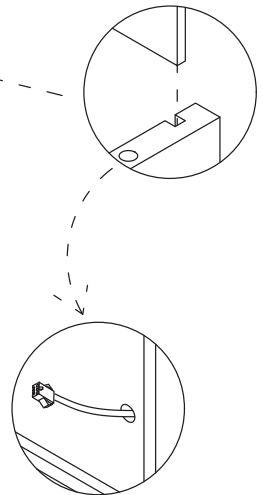
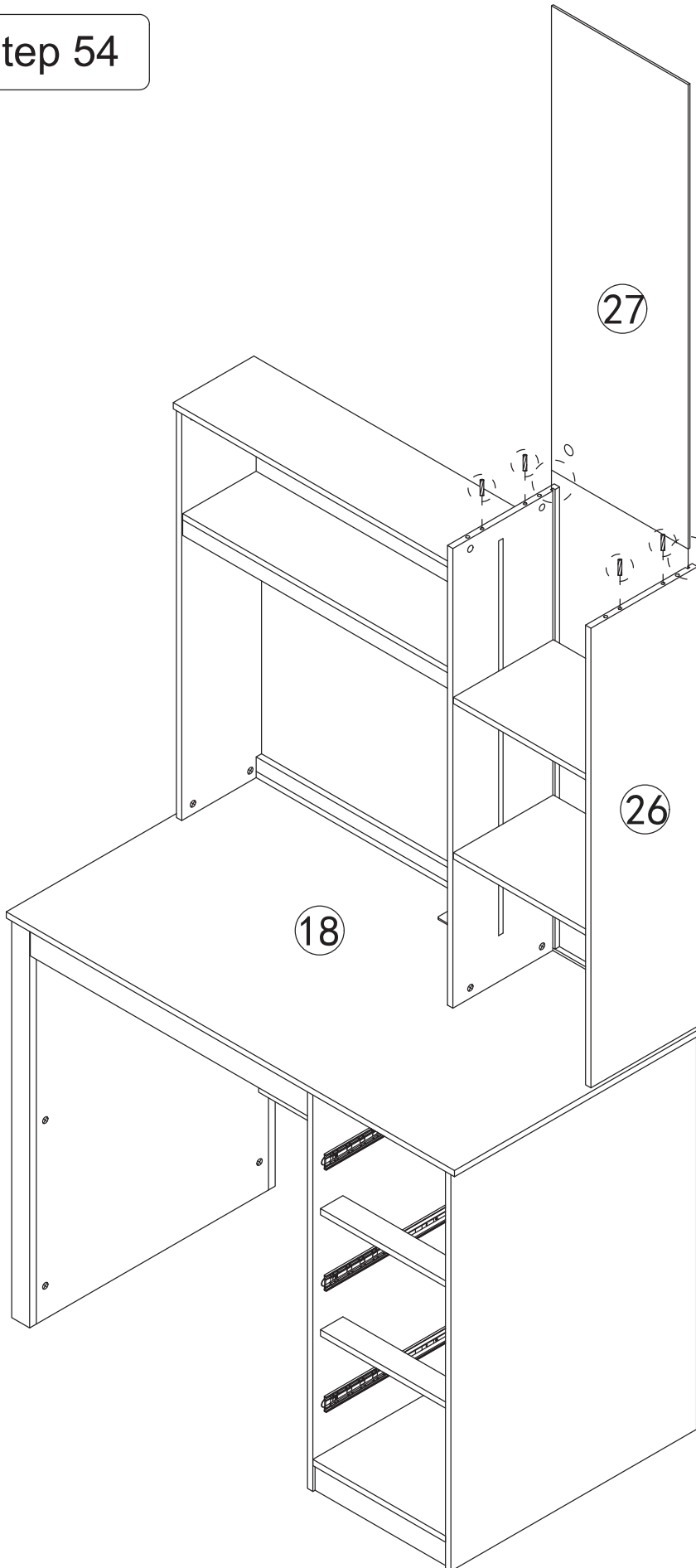
The mounting plate is needed to be held by hand, and it is easy to break

Step 54


C

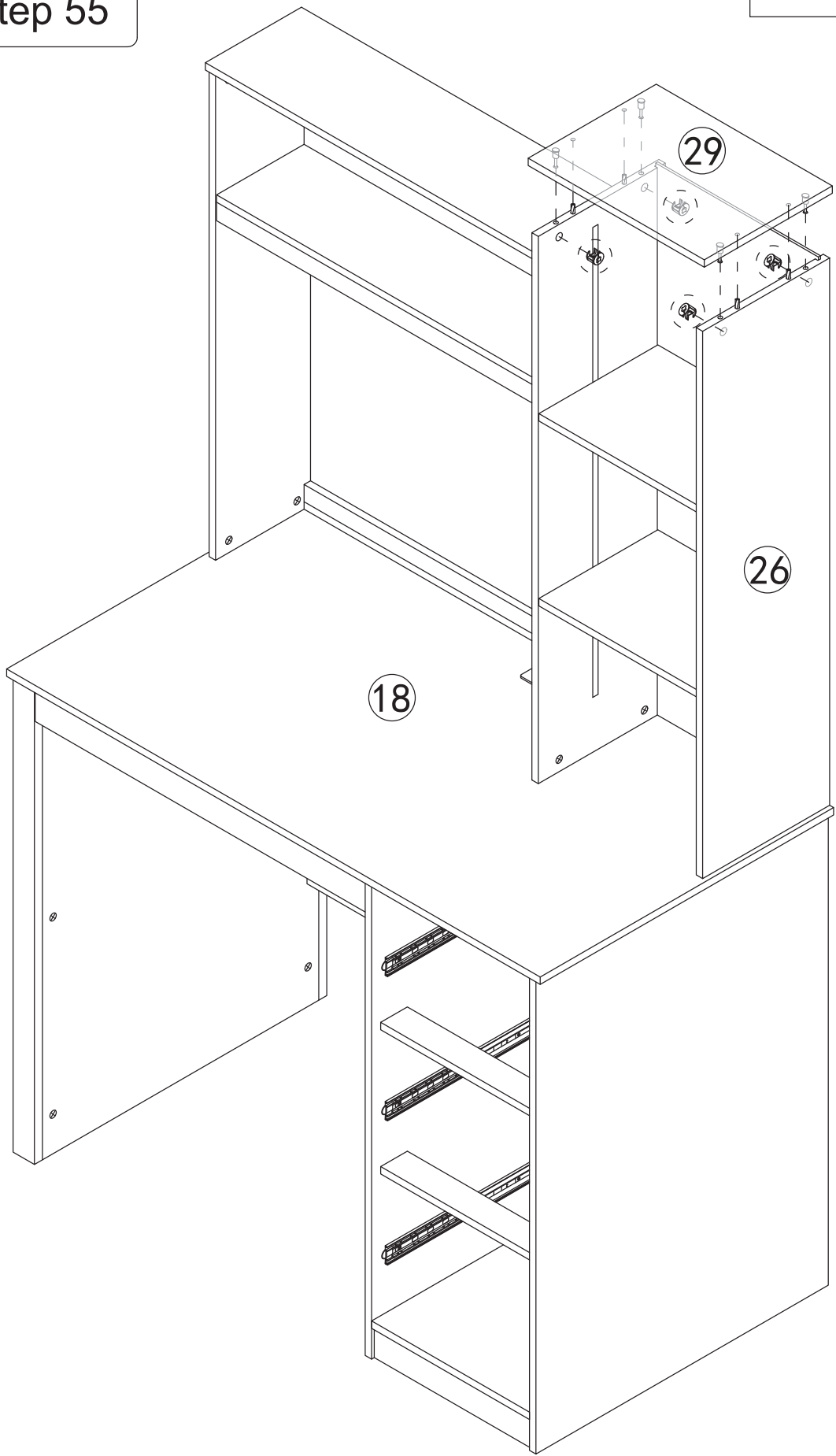


x4

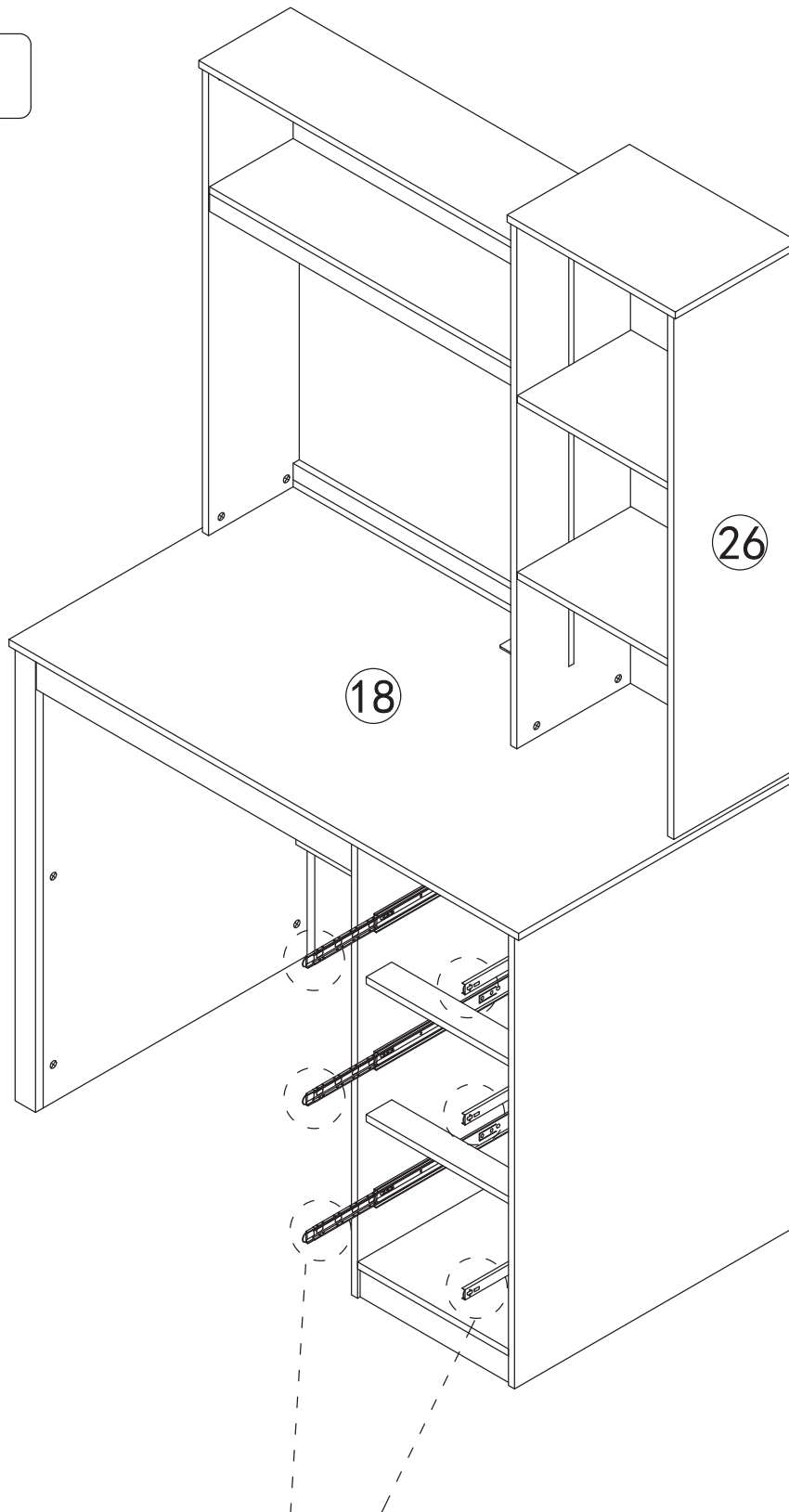


Step 55

B  x4

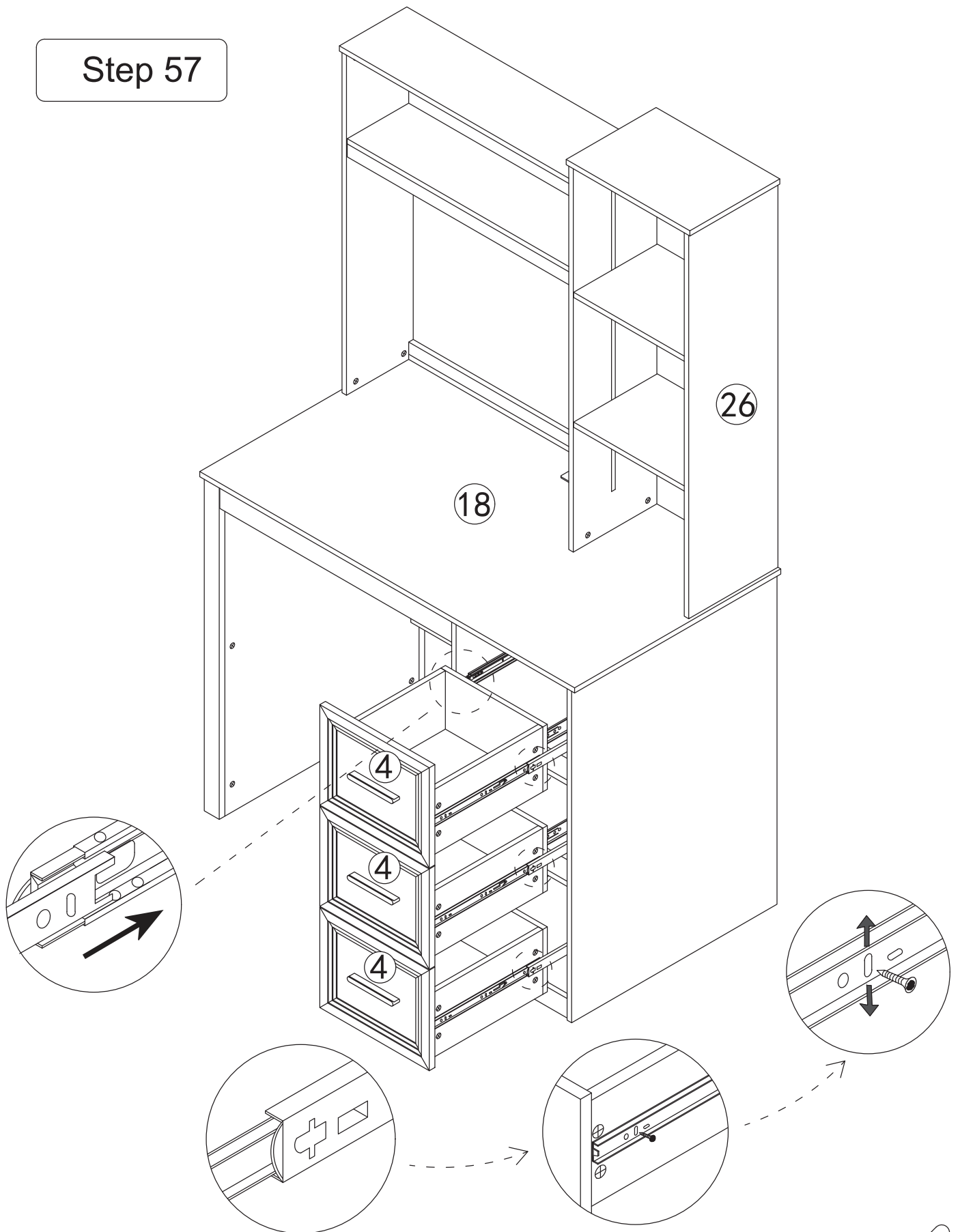


Step 56



As shown When installing the drawer,
pull the guide rail out first, Slide beads are also pulled out.

Step 57



If a large gap is found after installing the drawer the slide rail can be moved up and down to adjust the gap

Step 58

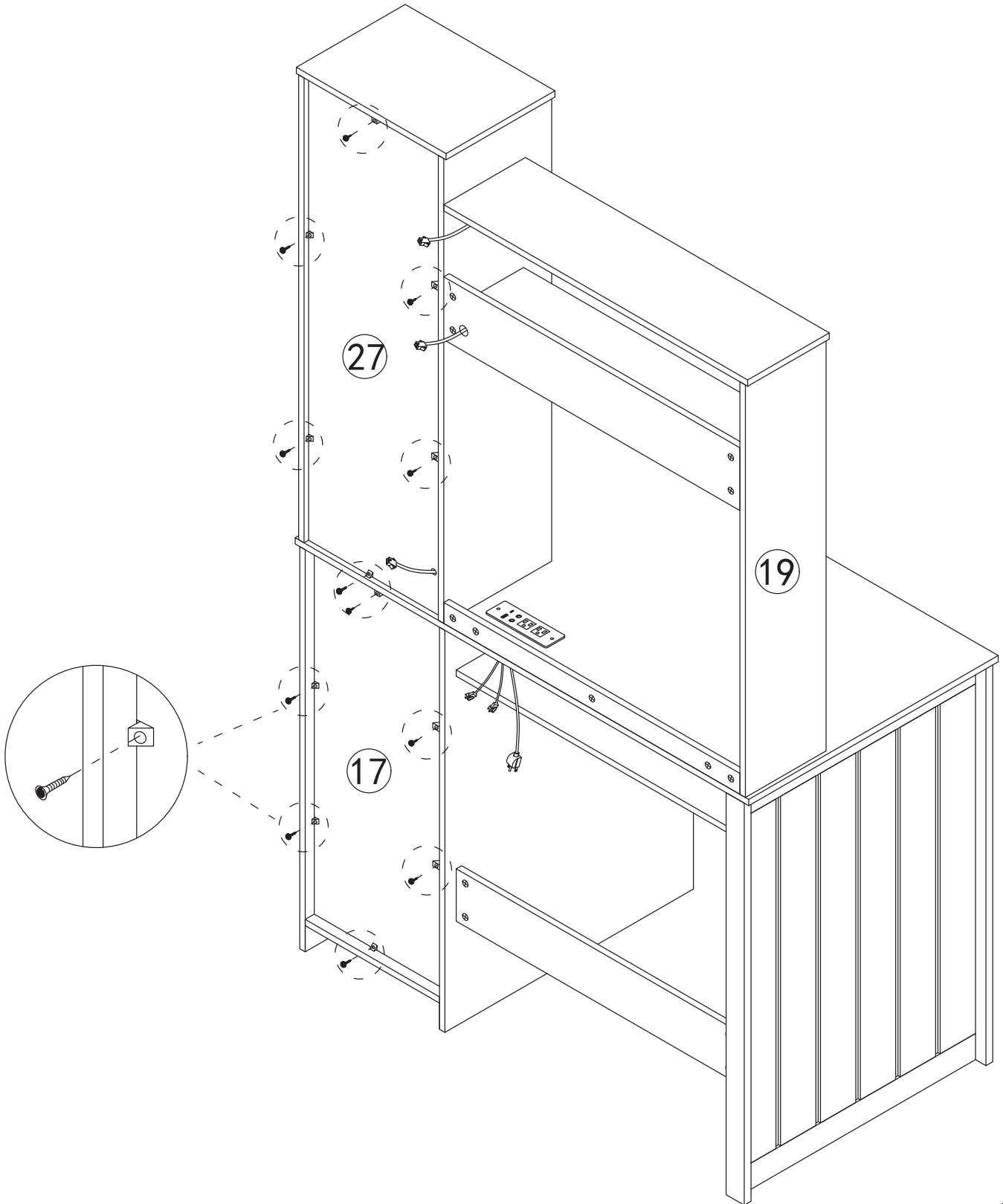
H



x12

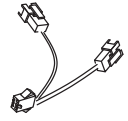


x12

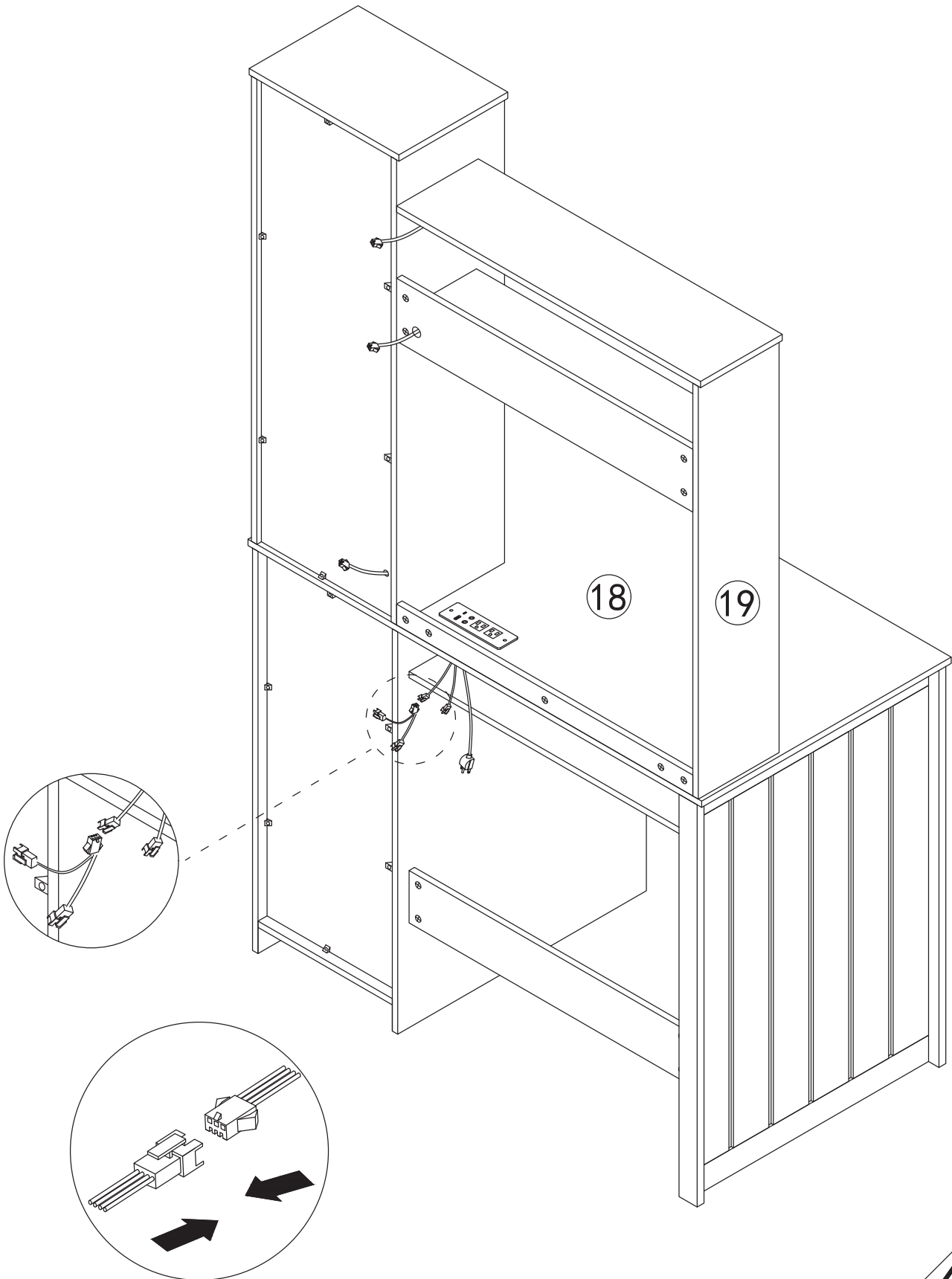


Step 59

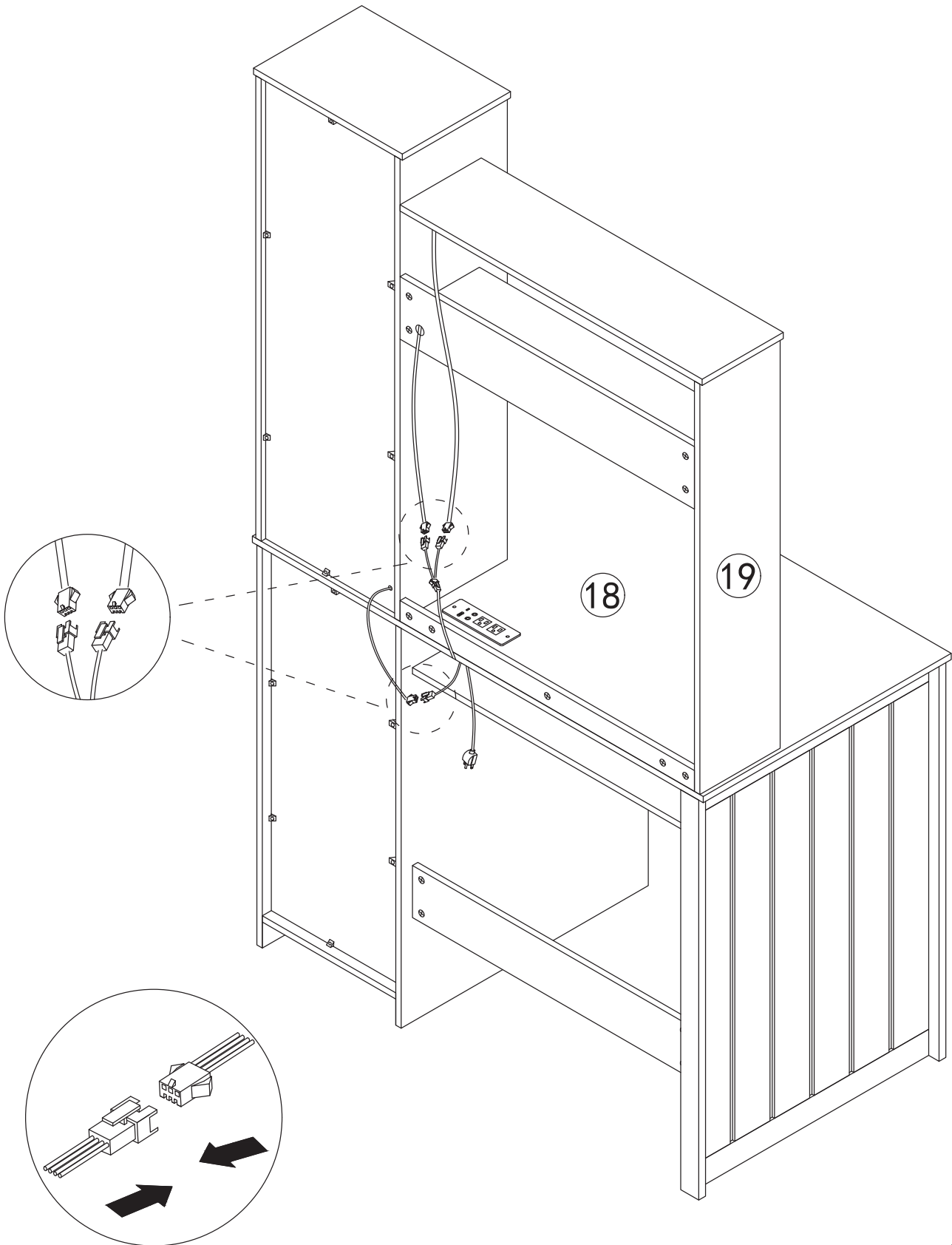
G



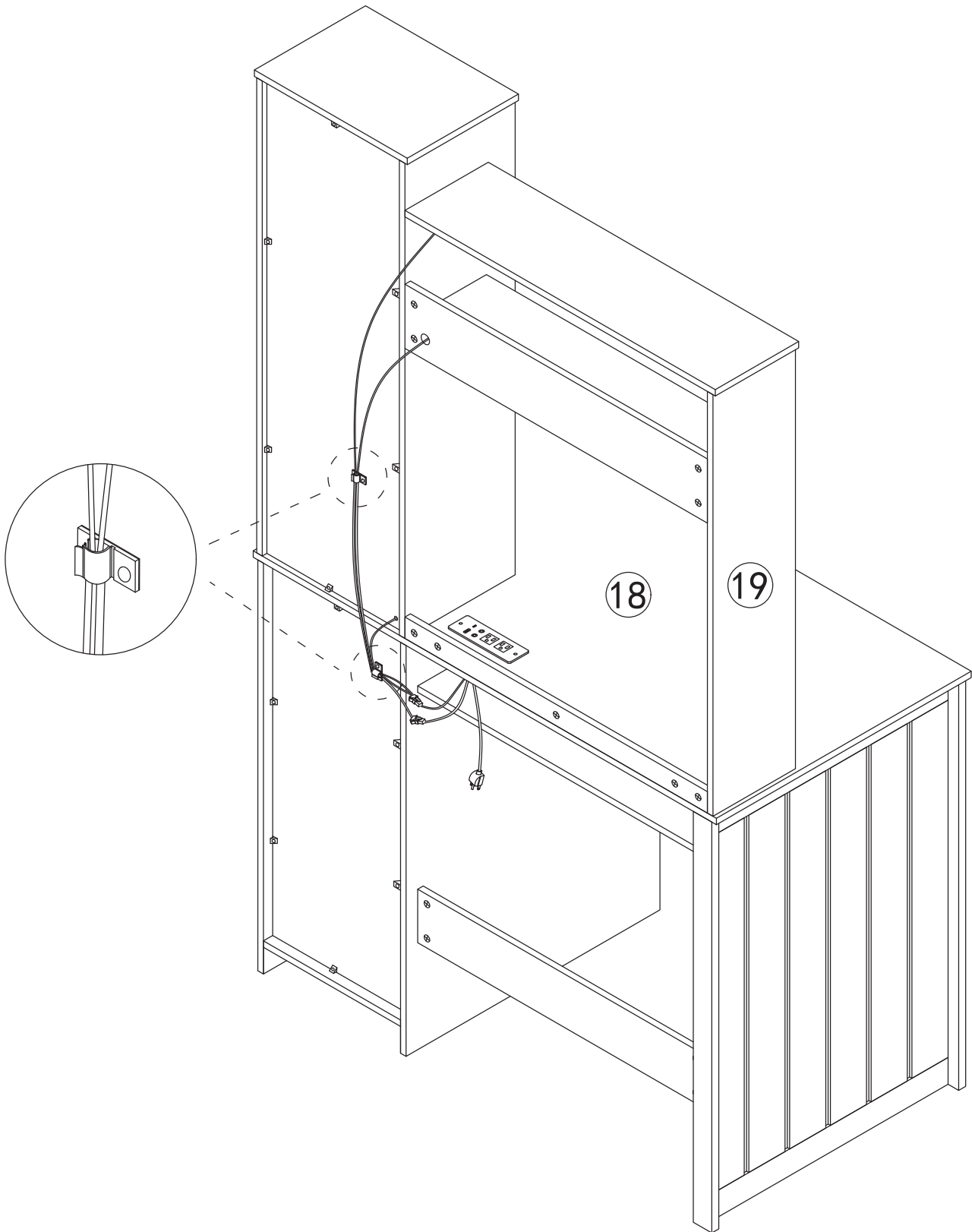
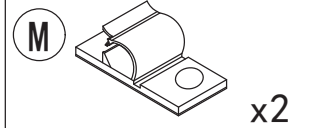
x1



Step 60






Step 61



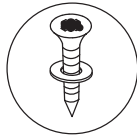
Step 62

Install as required

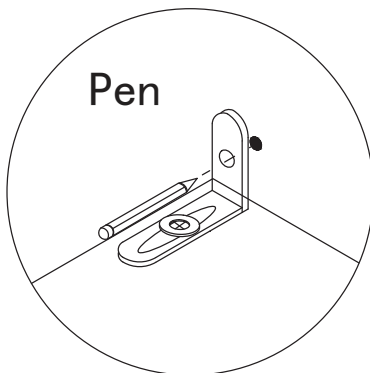
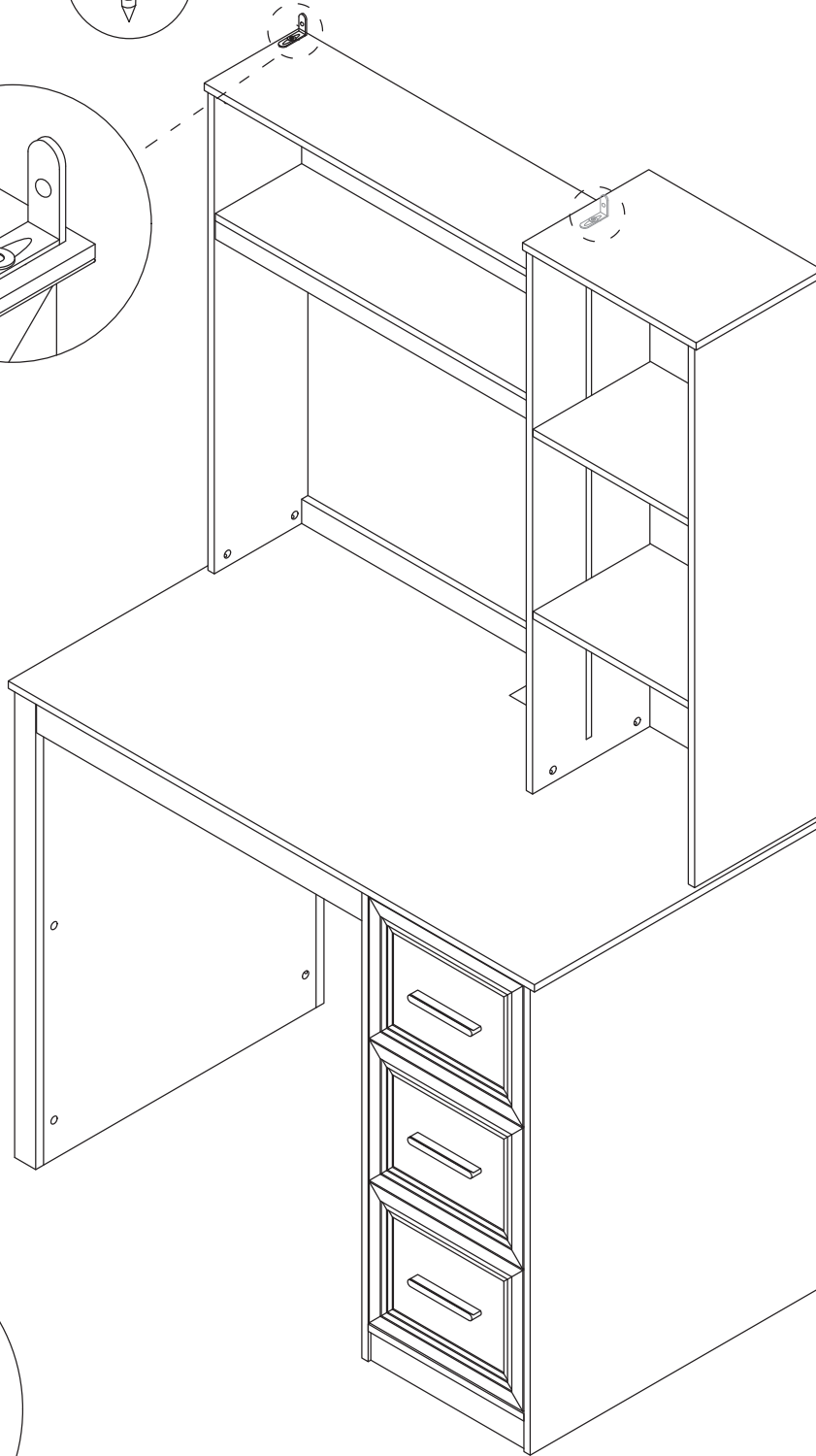
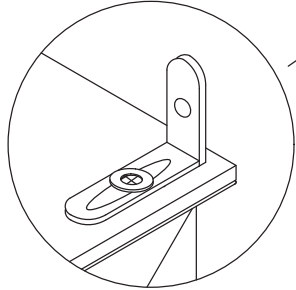
(K)

x2  x2 
x2 

3.5x14mm



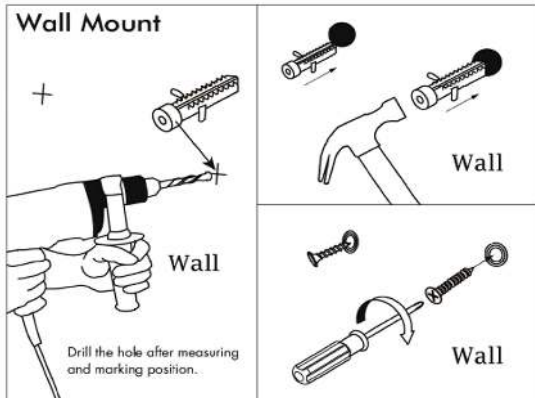
Install the anti fall hardware on the cabinet as shown in the picture first



Pen

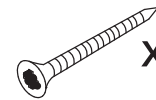

Then mark the wall with a pen through the holes in the anti-fall hardware

Step 63

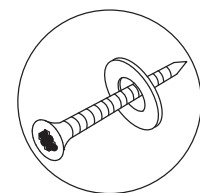
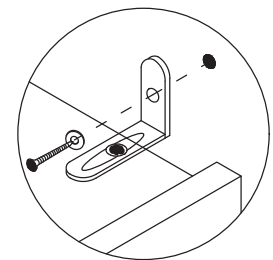
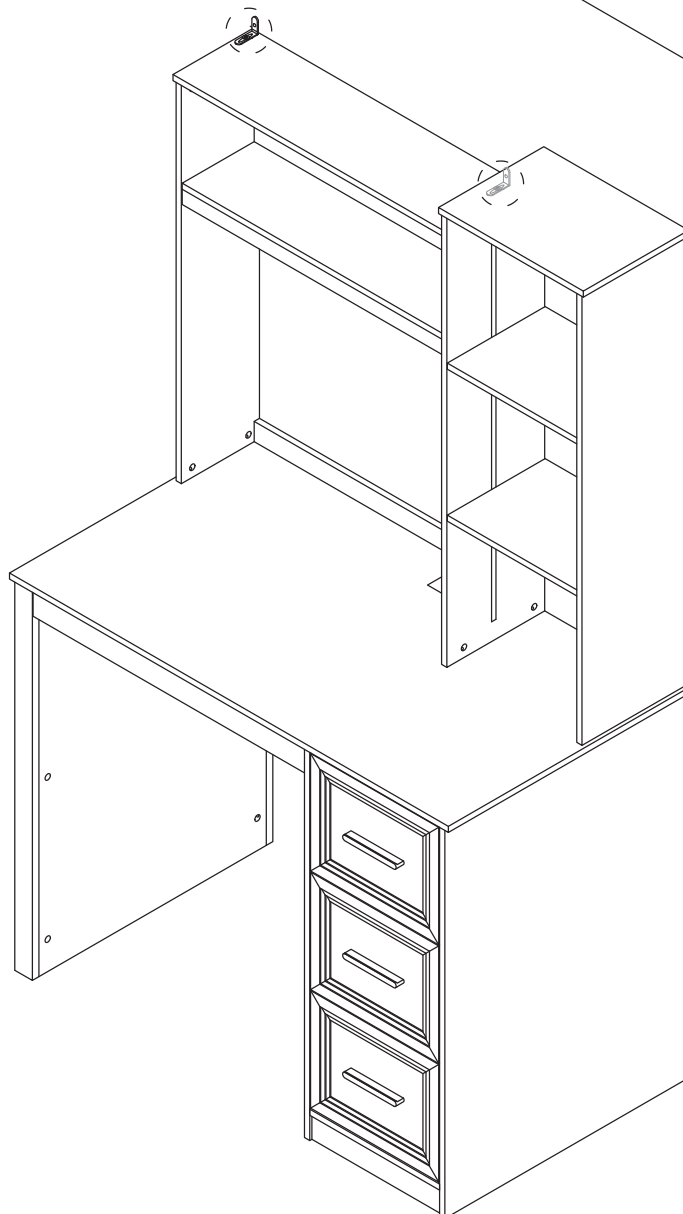


(K)

 x2

 x2  x2

Drill the hole with an electric drill and punch in the colloidal particles



4x45mm

Fix the dressing table to the wall

50



User's Guide

Thank you for purchasing this product.

To use this product, please connect it to a power source.

Please use if the product works normally after connecting to power.

Introduction

The box is an intelligent controller. It has 1 USB output port 1 Type-c port and can distribute the current output up to 5V DC-2A. With 2 touch buttons, it can turn. ON/OFF the light, change light colors, and adjust the light luminance.

Operation



This touch button controls the on/off of the light

Short touch -> lighting on -> short touch -> lighting off.

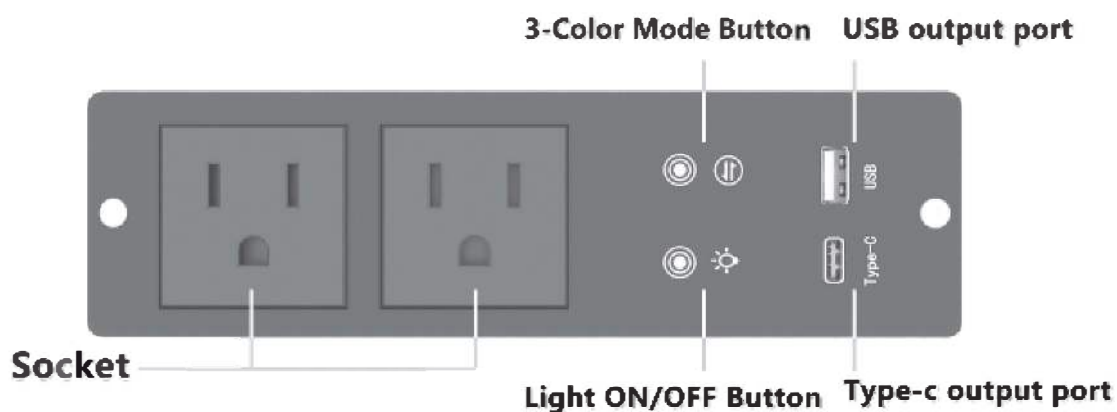


This touch button controls the color switching and brightness adjustment of the light

1. It can only be used when the light is on

2. Offering 3 different colors to choose from. Simply tap to cycle through the options.

3. Long touch -> adjust the luminance.

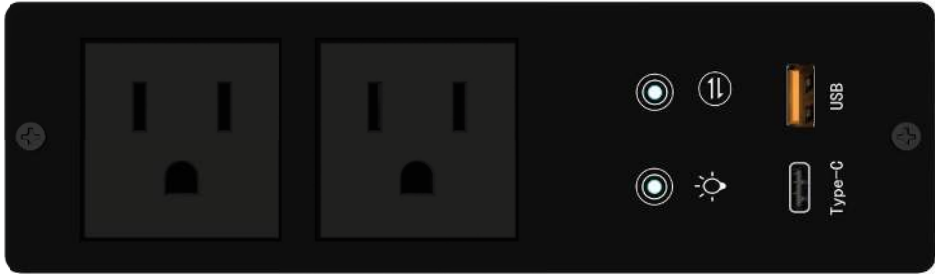


⚠ ATTENTION PLEASE

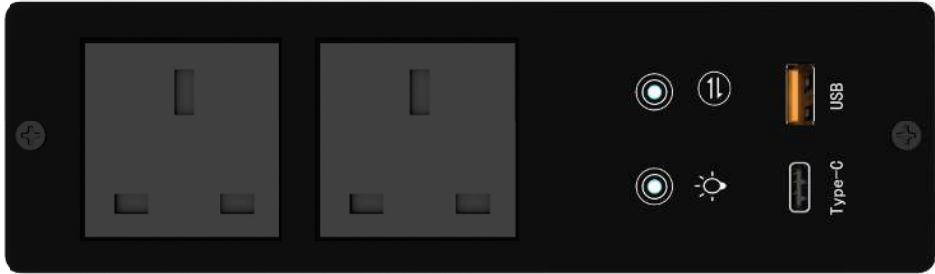
1. If there is no touch response suddenly, Re-plug the power to reset the touch static electricity.
2. If you have any questions when installing, please feel free to contact us. Thank you.

Socket styles differ by region,
but their overall functions remain unchanged.

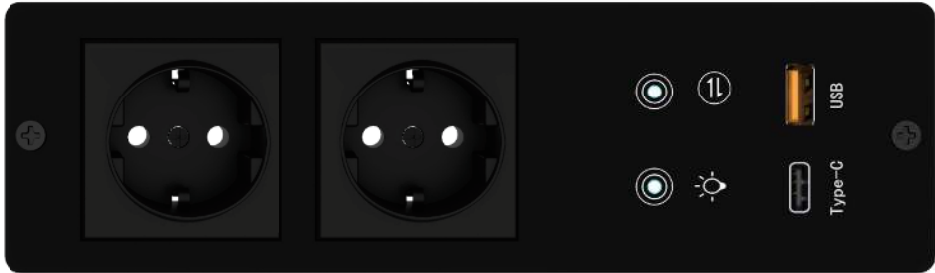
American socket



British Socket



European socket



Australian socket

